

Distributed by:

**JAMECO**<sup>®</sup>  
ELECTRONICS

**www.Jameco.com ♦ 1-800-831-4242**

The content and copyrights of the attached  
material are the property of its owner.

Jameco Part Number 743226

## FEATURES AND SPECIFICATIONS

### Features and Benefits

- Positive lock
- Fully isolated terminals
- Polarized housing assures proper mating
- Male and female terminals may be used in receptacle housing

### Reference Information

Packaging: Bag  
 UL File No.: E29179  
 CSA File No.: LR19980  
 TUV License No.: R75107  
 Mates With: [5219](#) header and [3191](#) plug  
 Use With: Standard .093" terminal  
 Designed In: Inches

### Electrical

Voltage: 600V  
 Current: 12.0A max.\*  
 Dielectric Withstanding Voltage: 5000V AC rms

### Mechanical

Contact Retention to Housing: 20 lb min.

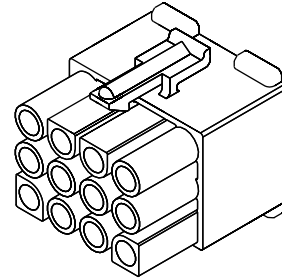
### Physical

Housing: Nylon, UL 94V-0 or 94V-2  
 Operating Temperature: -40 to +105°C

\* Depending on circuit size and wire gauge; please refer to product specifications

# molex® 6.71 mm (.264") Pitch .093" Pin and Socket Receptacle

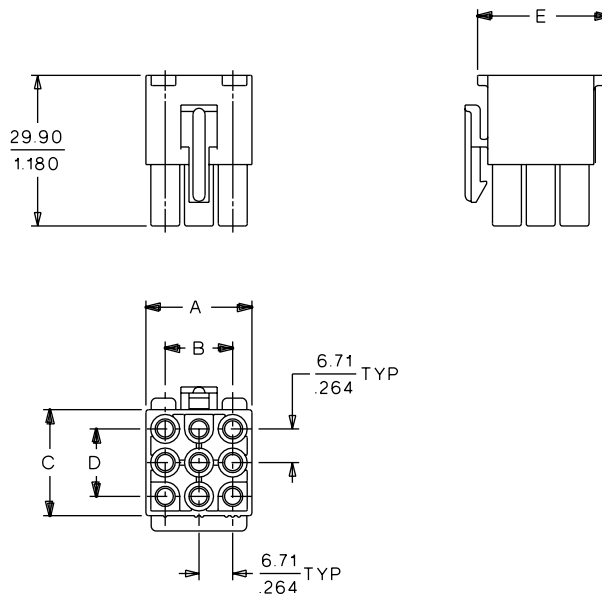
## 3191



Power Connectors

**F**

## CATALOG DRAWING (FOR REFERENCE ONLY)



## ORDERING INFORMATION AND DIMENSIONS

Circuits	Order No.		Amperes per Circuit	Dimension				
	94V-2	94V-0		A	B	C	D	E
1	• 19-09-1019	• 19-09-1016	12	7.60 (.300)		7.60 (.300)		10.62 (.418)
2	• 19-09-1029	• 19-09-1026	12	14.30 (.560)	6.71 (.264)	7.60 (.300)		12.70 (.500)
3	• 19-09-1039	• 19-09-1036	11	21.00 (.830)	13.42 (.528)	7.60 (.300)		12.70 (.500)
4	• 19-09-1049	• 19-09-1046	9	27.70 (1.090)	20.13 (.792)	7.60 (.300)		12.70 (.500)
6	• 19-09-1069	• 19-09-1066	9	21.00 (.830)	13.42 (.528)	14.30 (.560)	6.71 (.264)	19.38 (.763)
9	• 19-09-1099	• 19-09-1096	9	21.00 (.830)	13.42 (.528)	21.00 (.830)	13.42 (.528)	26.20 (1.030)
12	• 19-09-1129	• 19-09-1126	9	27.70 (1.090)	20.13 (.792)	21.00 (.830)	13.42 (.528)	26.20 (1.030)
15	• 19-09-1159	• 19-09-1156	9	34.40 (1.350)	26.84 (1.056)	21.00 (.830)	13.42 (.528)	26.20 (1.030)

• US Standard Product, available through Molex franchised distributors





PLUG		RECEPTACLE	
PART NO.	ENG. NO.	PART NO.	ENG. NO.
19-09-2098	3191-9P	19-09-1099	3191-9R1
19-09-2099	3191-9P1	19-09-1096	3191-9R1-201
19-09-2097	3191-9P-201		
19-09-2096	3191-9P1-201		

**LEGEND:**

3191-9\*\*\*\*-\*

CIRCUIT SIZE

P = PLUG

R = RECEPTACLE

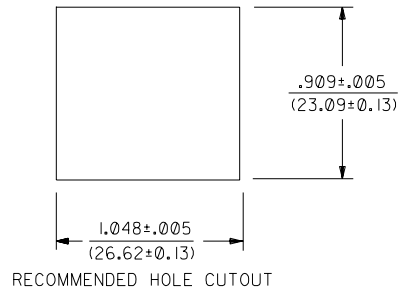
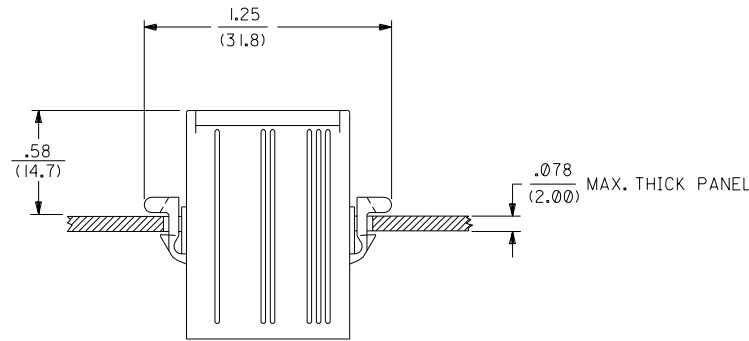
EARS: BLANK = WITH PREBENT EARS (PLUG ONLY)

I = WITHOUT EARS

COLOR: BLANK = NATURAL COLOR

AM=AMBER BK=BLACK BU=BLUE  
 BN=BROWN GY=GRAY GN=GREEN  
 OR=ORANGE RD=RED YW=YELLOW  
 COLORS AVAILABLE ONLY IN 94V-2 MATERIAL

MATERIAL: BLANK=NYLON TYPE 6/6, 94V-2  
 201=NYLON TYPE 6/6, 94V-0



**NOTES:**

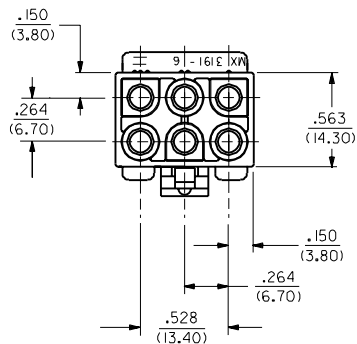
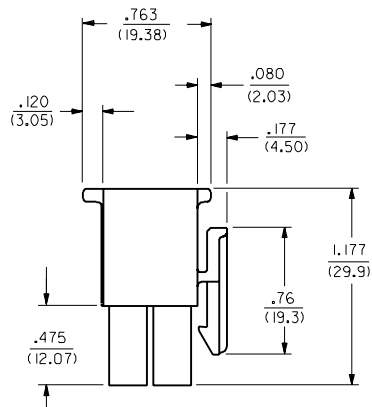
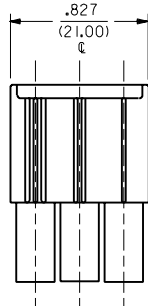
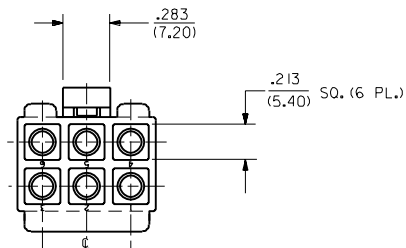
I. THESE HOUSINGS FOR USE WITH MOLEX .093/(2.36) DIAMETER SERIES TERMINALS.

DIMENSIONS SHOWN (METRIC) INCH	
UNLESS OTHERWISE SPECIFIED TOLERANCES: ANGULAR ± .04° 10	
5 PLACE ± .010	---
2 PLACE ± .014	± 0.25
1 PLACE ---	± 0.35
DRAFT WHERE APPLICABLE MUST REMAIN WITHIN DIMENSIONS	
DRWG. BY: GEP	CHK'D. BY: RW
APP'D. BY: RAS	SCALE: --:--

▽ =	▼ =	REVISE ONLY ON CAD SYSTEM
TITLE: .093/(2.36) HOUSINGS PLUG AND RECEPTACLE 9 CKT., .264/(6.70) CTRS.		
FROM: MOLEX INCORPORATED L15E,ILL. 60532 U.S.A.	SHEET NO. 3	DATE 8/2/89
PART NO. SEE CHART	DRWG. NO. SD-3191-9*	
FILE NAME: 531919X3.DWG	THIS DRAWING CONTAINS INFORMATION THAT IS PROPRIETARY TO MOLEX INC. AND SHOULD NOT BE USED WITHOUT WRITTEN PERMISSION.	
CP	IC	NO P.S. 1

LTR.	REVISIONS	LTR.	REVISIONS
		J	SEE SHT. 1





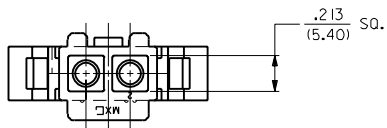
RECEPTACLE

DIMENSIONS SHOWN METRIC (INCH)		UNLESS OTHERWISE SPECIFIED TOLERANCES: ANGULAR ± .010		REVISIONS	
INCH	METRIC	FILE NO.	TITLE	SHEET NO.	DATE
3 PLACE ± .010	---	SEE SHEET 3	.093/(2.36) HOUSING PLUG AND RECEPTACLE 6 CIRCUIT, .264/(6.70) CTRS	2	1/22/88
2 PLACE ± .014	± 0.25	MOLEX INCORPORATED		DIV.	
1 PLACE ---	± 0.36	LITSE,ILL. 60532 U.S.A.		SIZE	
DRAFT WHERE APPLICABLE MUST REMAIN WITHIN DIMENSIONS		PART NO. SD-3191-6		C	
DRW. BY JJS	CHKD. BY RW	THIS DRAWING CONTAINS INFORMATION THAT IS PROPRIETARY TO MOLEX INC. AND SHOULD NOT BE USED WITHOUT WRITTEN PERMISSION.		SCALE 2:1	
APP'D. RAS	SCALE 2:1				

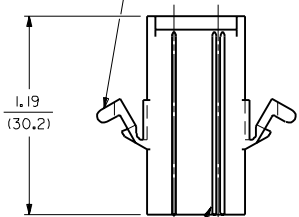
LTR.	REVISIONS	LTR.	REVISIONS
		J	SEE SHT 1



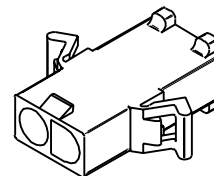
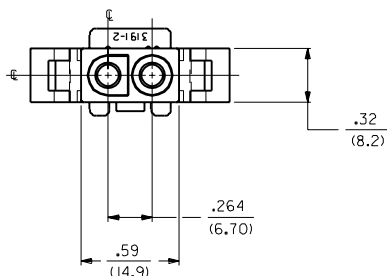
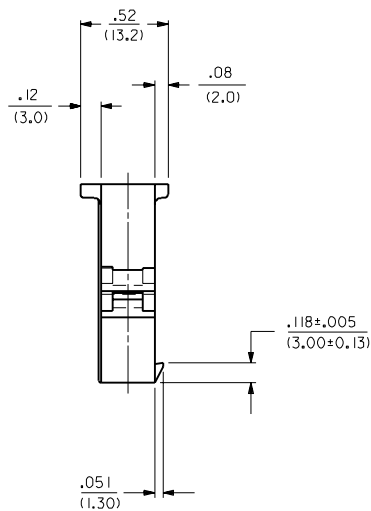




PREBENT MOUNTING EAR  
(WHEN SPECIFIED)



CIRCUIT NUMBER  
IDENTIFICATION RIBS



**PLUG**

3	E2	
2	D	
1	E4	
SH.	REV.	LTR.

SH.  REV.  LTR. REVISIONS

E4	REVISED UCR 98-0148 WANG 98-04-15
E3	ADD RAMP DIM'S ECN #U4 0293 3-1-94 RW
E2	X-REMOVE ECR U3 0001 C/C 12/30/92 RW
E1	REL. RED VERSIONS ECR U1 2167 C/C 1/24/92 RW
E	REV. MATL. CODE ECR # U90901 KBW 01-25-89 RW
D	REV. & REDRAWN ECR UB 1858 GEP 11-21-88 RW

**MOLEX INCORPORATED** LITTLE ROCK, ARK. U.S.A.

**SEE CHART** SD-3191-2\*

**PLUG AND RECEPTACLE, 2 CKT. ±.264/(6.70) CTRS.**

3 PLACE ±.010 ---  
2 PLACE ±.014 ± 0.25  
1 PLACE --- ± 0.35

UNLESS OTHERWISE SPECIFIED TOLERANCES: ANGULAR ± .001 TO

DRAFT WHERE APPLICABLE MUST REMAIN WITHIN DIMENSIONS

DRWG. NO. SD-3191-2\*  
REV. 11/21/88

FILE NAME: S31912X1.DWG  
SCALE: 2 : 1

DRWG. BY: CEP  
CHKD. BY: RW

APP'D. BY: RAS

THIS DRAWING CONTAINS INFORMATION THAT IS PROPRIETARY TO MOLEX INC. AND SHOULD NOT BE USED WITHOUT WRITTEN PERMISSION.

NO P.S. 1



13 12 11 10 9 8 7 6 3191 4 3 2 1

PLUG		RECEPTACLE	
PART NO.	ENG. NO.	PART NO.	ENG. NO.
19-09-2028	3191-2P	19-09-1029	3191-2R1
19-09-2029	3191-2P1	19-09-1026	3191-2R1-201
19-09-2027	3191-2P-201	19-09-1020	3191-2R IRD
19-09-2026	3191-2P1-201	19-09-1021	3191-2R IBU
19-09-2020	3191-2P IRD		
19-09-2021	3191-2P IBU		

**LEGEND:**

3191-2\*\*\*\*-\*

CIRCUIT SIZE

P = PLUG

R = RECEPTACLE

EARS: BLANK = WITH PREBENT EARS (PLUG ONLY)

I = WITHOUT EARS

**COLOR:** BLANK = NATURAL COLOR

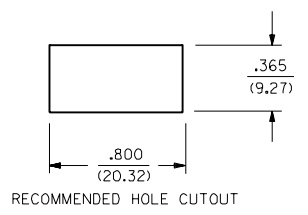
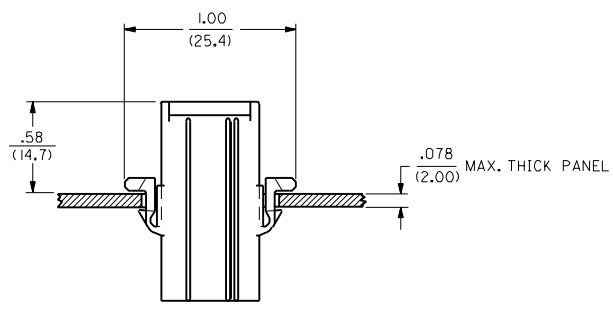
AM=AMBER BK=BLACK BU=BLUE

BN=BROWN GY=GRAY GN=GREEN

OR=ORANGE RD=RED YW=YELLOW

**MATERIAL:** BLANK=NYLON TYPE 6/6, 94V-2

201=NYLON TYPE 6/6, 94V-0



**NOTES:**

1. THESE HOUSINGS FOR USE WITH MOLEX .093/(2.36) DIAMETER SERIES TERMINALS.

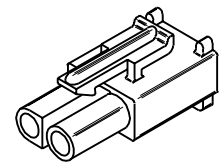
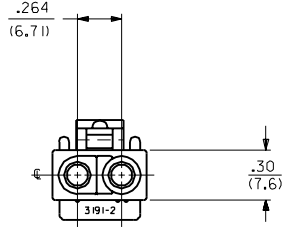
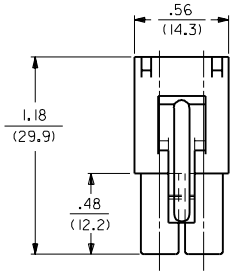
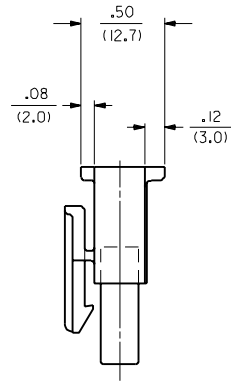
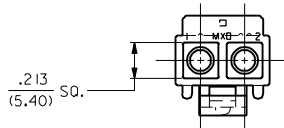
J  
I  
H  
G  
F  
D  
C  
B  
A

3191

J  
I  
H  
G  
F  
E  
D  
C  
B  
A

DIMENSIONS SHOWN (METRIC) INCH		▽=0	▽=0	REVISE ONLY ON CAD SYSTEM
UNLESS OTHERWISE SPECIFIED TOLERANCES: ANGLES .015 °		TITLE		
		.093/(2.36) HOUSINGS PLUG AND RECEPTACLE 2 CKT., .264/(6.70) CTRS.		
INCH METRIC		MOLEX INCORPORATED		
3 PLACE ± .010 ---		LITTLE, JILL. 60532 U.S.A. 3		
2 PLACE ± .014 ± 0.25		DATE 11/21/88		
1 PLACE --- ± 0.35		PART NO. SD-3191-2*		
DRAFT WHERE APPLICABLE MUST REMAIN WITHIN DIMENSIONS		SEE CHART		
DRWG. BY: CEP		DRWG. NO.		
CHK'D. BY: RW		FILE NAME: 531912X3		
APP'D. BY: RAS		SCALE: --:--		
LTR. REVISIONS		LTR. REVISIONS		
		THIS DRAWING CONTAINS INFORMATION THAT IS PROPRIETARY TO MOLEX INC. AND SHOULD NOT BE USED WITHOUT WRITTEN PERMISSION.		
		DIV. SIZE CP C		

13 12 11 10 9 8 7 6 5 4 3 2 NO P.S. 1



**RECEPTACLE**

DIMENSIONS SHOWN METRIC (INCH)		REVISIONS	
UNLESS OTHERWISE SPECIFIED TOLERANCES: ANGULAR ± .005° TO		D	
INCH METRIC		SEE SHT. 1	
3 PLACE ± .010	---	LTR.	REVISIONS
2 PLACE ± .014	± 0.25		
1 PLACE ---	± 0.35		
DRAFT WHERE APPLICABLE MUST REMAIN WITHIN DIMENSIONS			
DRWG. BY: RAS	CHKD. BY: RW		
APP'D. BY: RAS	SCALE: 2:1		
TITLE: .093/(2.36) HOUSING, PLUG AND RECEPTACLE, 2 CKT., .264/(6.70) CTRS.		PART NO. SD-3191-2*	
MOLEX INCORPORATED LITTLE ROCK, ARK. U.S.A.		SHEET NO. 2 DATE 11/21/88	
SEE CHART		DRWG. NO. SD-3191-2*	
THIS DRAWING CONTAINS INFORMATION THAT IS PROPRIETARY TO MOLEX INC. AND SHOULD NOT BE USED WITHOUT WRITTEN PERMISSION.		DIV. CP	

13 12 11 10 9 8 7 6 3191 4 3 2 1

PLUG		RECEPTACLE	
PART NO.	ENG. NO.	PART NO.	ENG. NO.
19-09-2028	3191-2P	19-09-1029	3191-2R1
19-09-2029	3191-2P1	19-09-1026	3191-2R1-201
19-09-2027	3191-2P-201	19-09-1020	3191-2R IRD
19-09-2026	3191-2P1-201	19-09-1021	3191-2R IBU
19-09-2020	3191-2P IRD		
19-09-2021	3191-2P IBU		

**LEGEND:**

3191-2\*\*\*\*-\*

CIRCUIT SIZE

P = PLUG

R = RECEPTACLE

EARS: BLANK = WITH PREBENT EARS (PLUG ONLY)

I = WITHOUT EARS

COLOR: BLANK = NATURAL COLOR

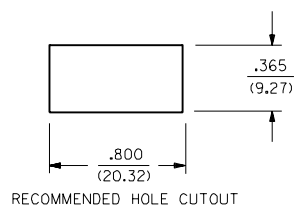
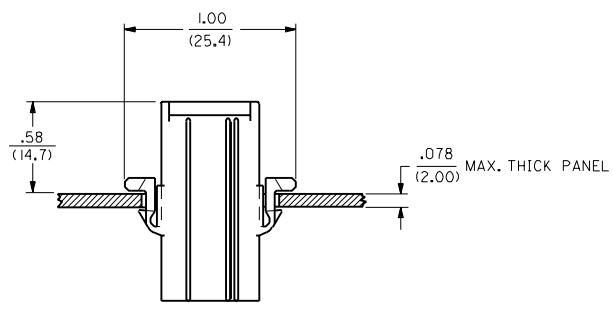
AM=AMBER BK=BLACK BU=BLUE

BN=BROWN GY=GRAY GN=GREEN

OR=ORANGE RD=RED YW=YELLOW

MATERIAL: BLANK=NYLON TYPE 6/6, 94V-2

201=NYLON TYPE 6/6, 94V-0



**NOTES:**

1. THESE HOUSINGS FOR USE WITH MOLEX .093/(2.36) DIAMETER SERIES TERMINALS.

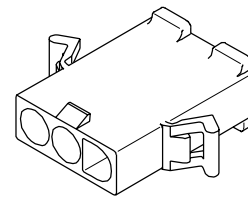
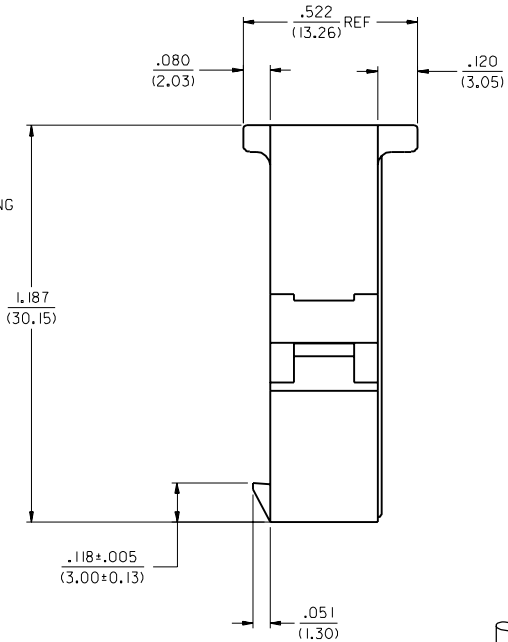
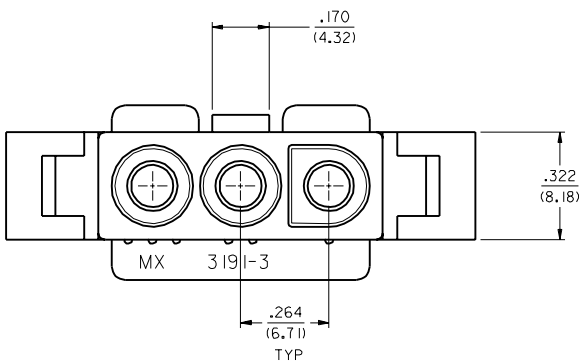
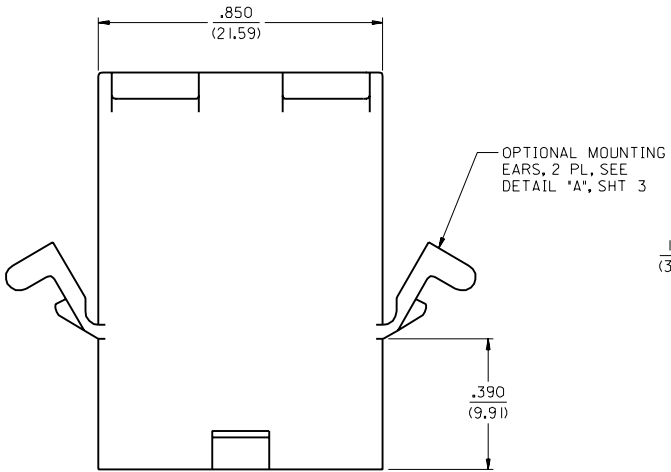
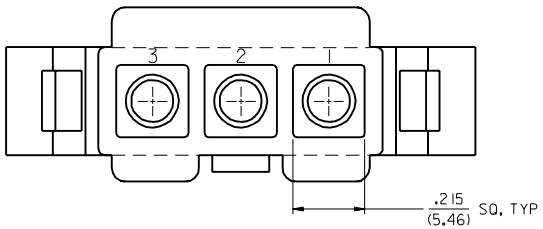
J  
I  
H  
G  
F  
E  
D  
C  
B  
A

3191

J  
I  
H  
G  
F  
E  
D  
C  
B  
A

DIMENSIONS SHOWN (METRIC) INCH		▽=0	▽=0	REVISE ONLY ON CAD SYSTEM
UNLESS OTHERWISE SPECIFIED TOLERANCES: ANGLES .015 °		TITLE		
		.093/(2.36) HOUSINGS PLUG AND RECEPTACLE 2 CKT., .264/(6.70) CTRS.		
		MOLEX INCORPORATED		
		LITTLE ROCK, MISSOURI 64832 U.S.A.		
		SHEET NO. 3 DATE 11/21/88		
		PART NO. SD-3191-2*		
		SEE CHART		
		DRAWING NO.		
		FILE NAME: 531912X3.DGN		
		THIS DRAWING CONTAINS INFORMATION THAT IS PROPRIETARY TO MOLEX INC. AND SHOULD NOT BE USED WITHOUT WRITTEN PERMISSION.		
		DIV. SIZE CP C		

13 12 11 10 9 8 7 6 5 4 3 2 NO P.S. 1



PLUG

3	J5			
2	J5	J5	REDRAWN ON CAD	
1	J5		ECR U6 0734	RW
			CK 1/8/96	

MMB, SH, REV, LTR, REVISIONS

DIMENSIONS SHOWN METRIC (INCH)		▽ = 0	▼ = 0	REVISE ONLY ON CAD SYSTEM	
UNLESS OTHERWISE SPECIFIED TOLERANCES: ANGULAR ± 1/2°		TITLE		.093/(2.36) HOUSING	
				PLUG AND RECEPTACLE	
				3 CKT., .264/(6.71) CTRS.	
		MOLEX INCORPORATED		SHEET NO.	DATE
		L15LEJLL		1 of 3	1/ 8/96
		SEE CHART		SD-3191-3•	
DRWG. BY: RAS	CHKD. BY: RW	FILE NAME: S31913X1.DGN	SCALE: 4 : 1	DIV.:	SIZE: CP C

PLUG		RECEPTACLE	
PART NO.	ENG. NO.	PART NO.	ENG. NO.
19-09-2038	3191-3P	19-09-1039	3191-3R1
19-09-2039	3191-3P1	19-09-1036	3191-3R1-201
19-09-2037	3191-3P-201	19-09-3030	3191-3R1RD
19-09-2036	3191-3P1-201		
19-09-1038	3191-3P1RD		
19-09-3032	3191-3PRD		
19-09-3033	3191-3PBU		

**LEGEND**

3191-3\*\*\*\*\*

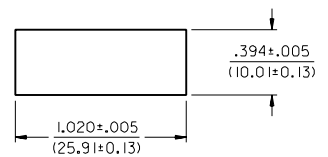
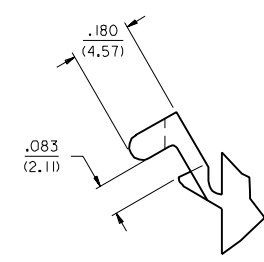
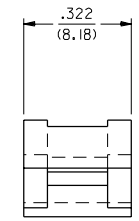
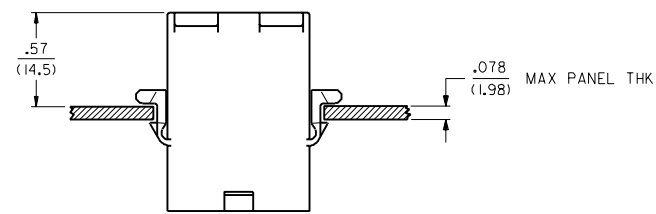
CIRCUIT SIZE

P = PLUG  
R = RECEPTACLE

EARS: BLANK = WITH PREBENT EARS (PLUG ONLY)  
I = WITHOUT EARS

COLOR: BLANK = NATURAL COLOR  
AM=AMBER BK=BLACK BU=BLUE  
BN=BROWN GY=GRAY GN=GREEN  
OR=ORANGE RD=RED YW=YELLOW  
COLORS AVAILABLE ONLY IN 94V-2 MATERIAL

MATERIAL: BLANK=NYLON TYPE 6/6,94V-2  
201=NYLON TYPE 6/6, 94V-0



RECOMMENDED HOLE CUTOUT

DETAIL "A"  
PREBENT MOUNTING EAR  
(SCALE 4:1)

DIMENSIONS SHOWN (METRIC) INCH		▽=0	▼=0	REVISE ONLY ON CAD SYSTEM
UNLESS OTHERWISE SPECIFIED TOLERANCES ANGULAR ± 1/2°		TITLE		
		.093/(2.36) HOUSINGS		
		PLUG AND RECEPTACLE		
		3 CKT. ± .264/(6.71) CTRS.		
		MOLEX INCORPORATED		
		LITTLE,ILL. 60532 U.S.A. SHEET NO. 3 DATE 1/8/96		
		PART NO. SD-3191-3*		
		SEE CHART		
		THIS DRAWING CONTAINS INFORMATION THAT IS PROPRIETARY TO MOLEX INC. AND SHOULD NOT BE USED WITHOUT WRITTEN PERMISSION		
		CPIC		

PLUG	
PART NO.	ENG. NO.
19-09-2038	3191-3P
19-09-2039	3191-3PI
19-09-2037	3191-3P-201
19-09-2036	3191-3PI-201
19-09-1038	3191-3PIRD
19-09-3032	3191-3PRD
19-09-3033	3191-3PBU

RECEPTACLE	
PART NO.	ENG. NO.
19-09-1039	3191-3RI
19-09-1036	3191-3RI-201
19-09-3030	3191-3RIRD

LEGEND

3191-3\*\*\*\*-\*

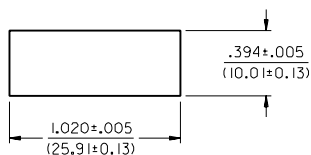
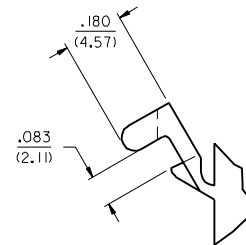
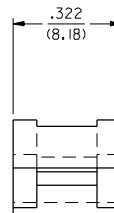
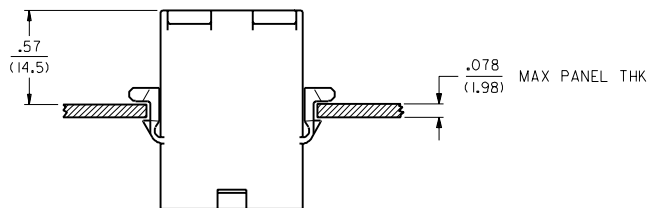
CIRCUIT SIZE

P = PLUG  
R = RECEPTACLE

EARS: BLANK = WITH PREBENT EARS (PLUG ONLY)  
I = WITHOUT EARS

COLOR: BLANK = NATURAL COLOR  
AM=AMBER BK=BLACK BU=BLUE  
BN=BROWN GY=GRAY GN=GREEN  
OR=ORANGE RD=RED YW=YELLOW  
COLORS AVAILABLE ONLY IN 94V-2 MATERIAL

MATERIAL: BLANK=NYLON TYPE 6/6,94V-2  
201=NYLON TYPE 6/6, 94V-0

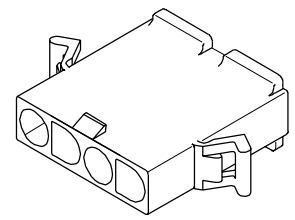
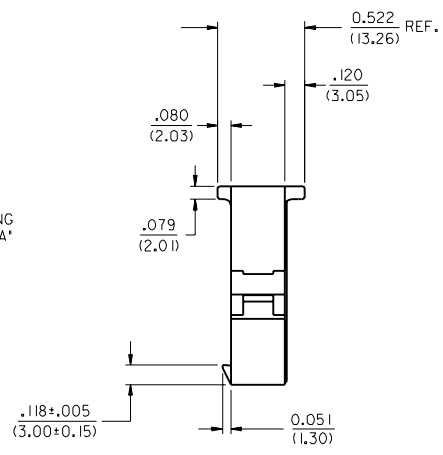
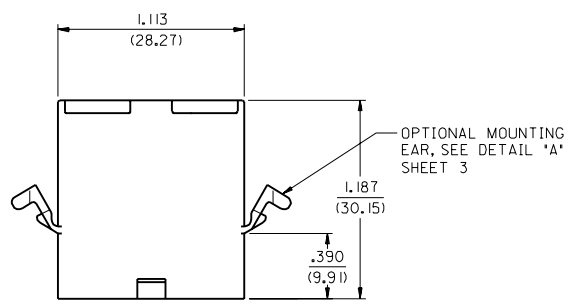
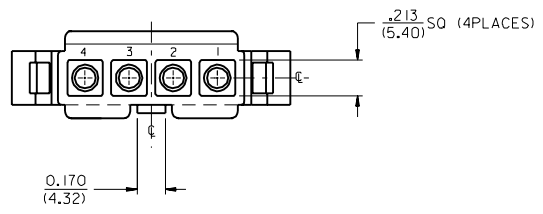


RECOMMENDED HOLE CUTOUT

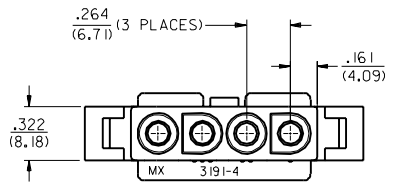
DETAIL "A"  
PREBENT MOUNTING EAR  
(SCALE 4:1)

DIMENSIONS SHOWN METRIC (INCH)		▽ = 0 ▼ = 0		REVISE ONLY ON CAD SYSTEM	
UNLESS OTHERWISE SPECIFIED TOLERANCES ANGULAR ± 1/2°		TITLE		.093/(2.36) HOUSINGS PLUG AND RECEPTACLE 3 CKT ±.264/(6.71) CTRS.	
INCH METRIC		MOLEX INCORPORATED		SHEET NO. 3 DATE 1/8/96	
3 PLACE ± .010	---	LITSE,ILL. 60532 U.S.A.		PART NO. SD-3191-3*	
2 PLACE ± .015	± 0.25	SEE CHART		DRWG. NO.	
1 PLACE ---	± 0.38	FILE NAME 531913X3.DWG		DIV. SIZE CP C	
DRAFT WHERE APPLICABLE MUST REMAIN WITHIN DIMENSIONS		SCALE ---:--		THIS DRAWING CONTAINS INFORMATION THAT IS PROPRIETARY TO MOLEX INC. AND SHOULD NOT BE USED WITHOUT WRITTEN PERMISSION.	
DRW: RAS	CHKD: RW	APP'D: RAS		LTR. REVISIONS	
J5 SEE SHEET 1		LTR. REVISIONS		NO P.S. 1	



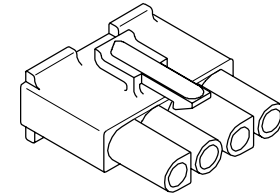
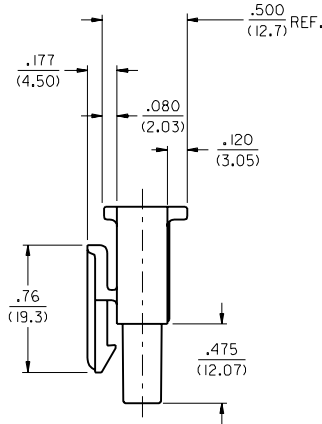
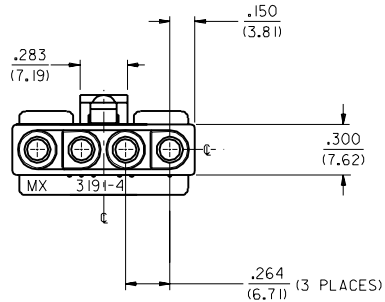
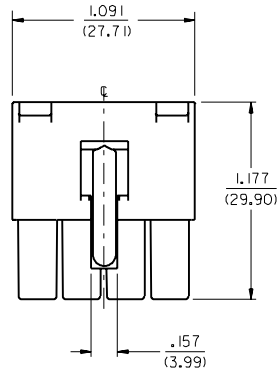
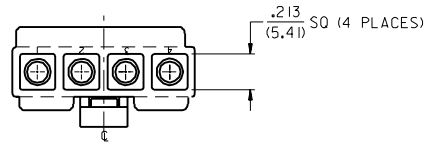


# PLUG HOUSING



3	J3
2	J3
1	J3

REDRAWN ON CAD EC NO. UCR1998-0254 DRW: J. WANG 000607 CHK: WIRKUS 000607 APPR: R. EDGLEY 000607	QUALITY SYMBOLS MAJOR $\blacktriangledown=0$ CRITICAL $\nabla=0$	GENERAL TOLERANCES: (UNLESS SPECIFIED)		SCALE 2 : 1	DESIGN UNITS <input type="checkbox"/> mm <input checked="" type="checkbox"/> INCH	THIRD ANGLE PROJECTION <input type="checkbox"/> mm <input checked="" type="checkbox"/> INCH <input type="checkbox"/> mm ONLY	DIMENSIONS: <input type="checkbox"/> mm <input checked="" type="checkbox"/> INCH <input type="checkbox"/> mm ONLY	SHT	REV
		4 PLACES ±0.--- ±.---	3 PLACES ±0.--- ±.010	2 PLACES ±0.25 ±.015	1 PLACE ±0.38 ±.---				
J3	REV	DRAWN BY & DATE J. WANG 98/08/24		CHECKED BY & DATE WIRKUS 98/08/24		APPROVED BY & DATE R. EDGLEY 98/08/24		TITLE: .093/(2.36) HOUSINGS PLUG AND RECEPTACLE 4-CKTS, .264/(6.70) CTRS	
CAD FILENAME S3191401.DGN		MATERIAL NO. SEE SHT. 3		DRAWING NO. SD -3191 -4*		SHEET NO. 1 OF 3		SIZE C	



RECEPTACLE

EC NO. LCR1998-0254 DRWG: J.WANG 000607 CHK: B.WIRKUS 000607 APPR: R.EDGE 000607	QUALITY SYMBOLS MAJOR $\nabla=0$ CRITICAL $\nabla C=0$	GENERAL TOLERANCES: (UNLESS SPECIFIED)		SCALE 2 : 1	DESIGN UNITS <input type="checkbox"/> mm <input checked="" type="checkbox"/> INCH	DIMENSIONS: <input type="checkbox"/> mm <input checked="" type="checkbox"/> INCH <input type="checkbox"/> mm ONLY	SHT REV
		4 PLACES $\pm 0, - - -$ $\pm, - - -$ 3 PLACES $\pm 0, - - -$ $\pm, 0 10$ 2 PLACES $\pm 0, 25$ $\pm, 0 15$ 1 PLACE $\pm 0, 38$ $\pm, - - -$	DRAWN BY & DATE J.WANG 98/08/24 CHECKED BY & DATE B.WIRKUS 98/08/24 APPROVED BY & DATE R.EDGELEY 98/08/24	TITLE: .093/(2.36) HOUSINGS PLUG AND RECEPTACLE 4 CKT., .264/(6.70) CTRS		MATERIAL NO. SEE SHT.3	DRAWING NO. SD -3191 -4*
J3	DRAFT WHERE APPLICABLE MUST REMAIN WITHIN DIMENSIONS	ANGULAR: $\pm 1$ °		CAD FILENAME S3191402.DGN	THIS DRAWING CONTAINS INFORMATION THAT IS PROPRIETARY TO MOLEX INCORPORATED AND SHOULD NOT BE USED WITHOUT WRITTEN PERMISSION.		

13 12 11 10 9 8 7 6 5 4 3 2 3191

PLUG	
PART NO.	ENG. NO.
19-09-2048	3191-4P
19-09-2049	3191-4P1
19-09-2047	3191-4P-A
19-09-2046	3191-4P1-A

RECEPTACLE	
PART NO.	ENG. NO.
19-09-1049	3191-4R1
19-09-1046	3191-4R1-A

### LEGEND

3191-4\*\*\*\*\*

CIRCUIT SIZE →

P = PLUG  
R = RECEPTACLE

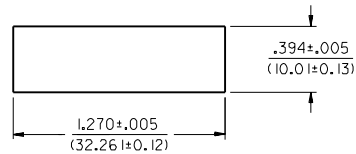
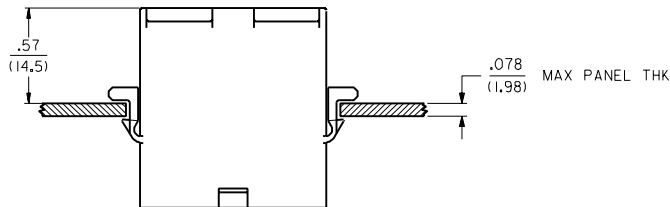
EARS: BLANK = WITH PREBENT EARS (PLUG ONLY)  
I = WITHOUT EARS

COLOR: BLANK = NATURAL COLOR

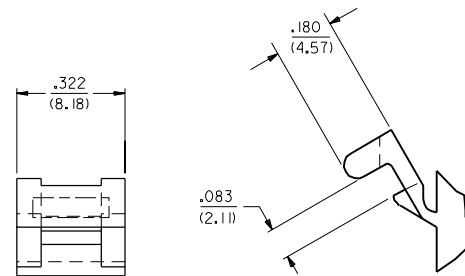
AM=AMBER BK=BLACK BU=BLUE  
BN=BROWN GY=GRAY GN=GREEN  
OR=ORANGE RD=RED YW=YELLOW

COLORS AVAILABLE ONLY IN 94V-2 MATERIAL

MATERIAL: BLANK=NYLON TYPE 6/6, 94V-2 COLOR:NATURAL  
A=NYLON TYPE 6/6, 94V-0 COLOR:WHITE



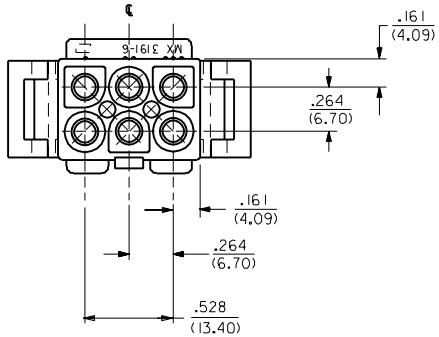
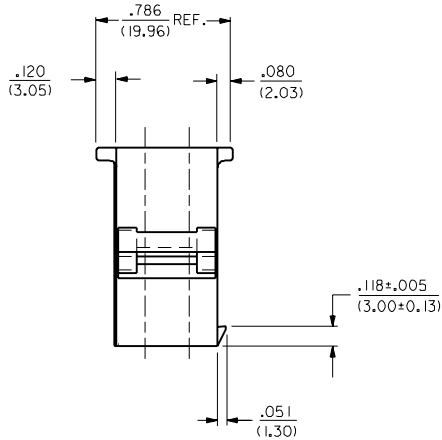
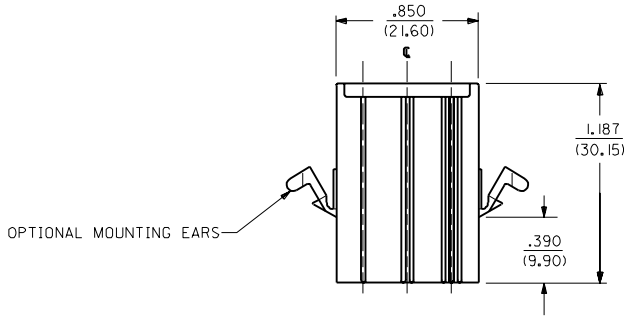
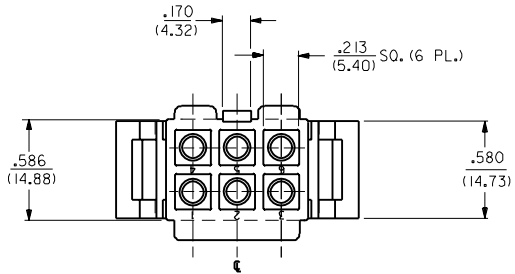
RECOMMENDED HOLE CUTOUT



DETAIL "A"  
.093/(2.36) PREBENT MOUNTING EAR  
(SCALE 4:1)

EC NO. LCR1998-0254 DRW: J.WANG 000607 CHK: B.WIRKUS 000607 APPR: R.EDGLEY 000607	QUALITY SYMBOLS MAJOR $\nabla=0$ CRITICAL $\nabla C=0$	GENERAL TOLERANCES: (UNLESS SPECIFIED)	SCALE 2 : 1	DESIGN UNITS <input type="checkbox"/> mm <input checked="" type="checkbox"/> INCH	DIMENSIONS: <input type="checkbox"/> mm <input checked="" type="checkbox"/> INCH <input type="checkbox"/> mm ONLY	SHT REV
		4 PLACES $\pm 0.005$ $\pm .005$ 3 PLACES $\pm 0.005$ $\pm .010$ 2 PLACES $\pm 0.025$ $\pm .015$ 1 PLACE $\pm 0.038$ $\pm .015$	DRAWN BY & DATE J.WANG 98/08/18	TITLE: .093/(2.36) HOUSINGS PLUG AND RECEPTACLE 4-CKTS, .264/(6.70) CTRS	THIRD ANGLE PROJECTION	REVISION ON CAD ONLY
		ANGLAR: $\pm 1^\circ$	CHECKED BY & DATE B.WIRKUS 98/08/18	MOLEX INCORPORATED	MATERIAL NO. SEE SHT.3	SHEET NO. 3
		DRAFT WHERE APPLICABLE MUST REMAIN WITHIN DIMENSIONS	APPROVED BY & DATE R.EDGLEY 98/08/18	CAD FILENAME S3191403.DGN	DRAWING NO. SD -3191-4*	SIZE C

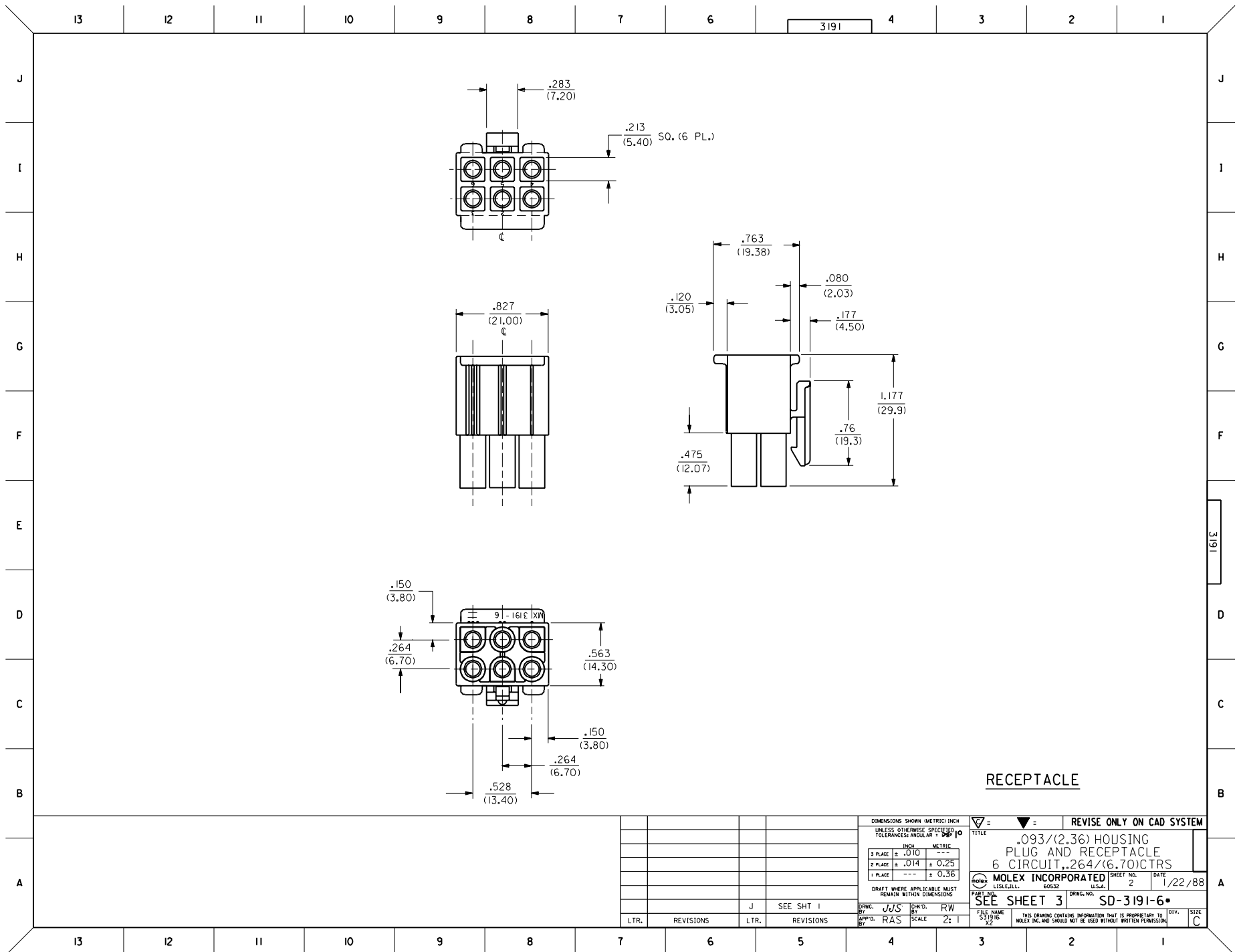
LBORD.DGN REV A 96/06/12 LEVEL 5 12 11 10 9 8 7 6 5 4 3 2 1



PLUG

MI	ADD RAMP LENGTH ECN #U4 0293 3-1-94 RW
M	REVISED PER ECR # U90659 KBW 07-25-89 RW
L	ADDED STANDOFFS PER ECR UB 2271 GEP 11-30-88 RW
K	REV. & FINAL REL. ECR UB 1710 GEP 7-14-88 RW
J	REVISED & REDRAWN PER ECR UB 0122 2-2-88 SCHAFFER
MFG.	SH. REV. LTR. REVISIONS

DIMENSIONS SHOWN METRIC (INCH)		▽ = 0	▼ = 0	REVISE ONLY ON CAD SYSTEM
UNLESS OTHERWISE SPECIFIED TOLERANCES ANGULAR ± 0° 10'		TITLE		
INCH METRIC		.093/(2.36) HOUSING PLUG AND RECEPTACLE 6 CKT. .264/(6.70) CTRS.		
3 PLACE ± .010	---	MOLEX INCORPORATED SHEET NO. DATE L15LEJLL. 60532 U.S.A. 1 OF 3 1/25/88		
2 PLACE ± .014	± 0.25	PART NO. DRWG. NO.		
1 PLACE --- ± 0.36	---	SEE CHART SD-3191-6*		
DRAFT WHERE APPLICABLE MUST REMAIN WITHIN DIMENSIONS		FILE NAME S31916.X1 1/25/88		
DRWG. BY JUS	CHKD. BY RW	THIS DRAWING CONTAINS INFORMATION THAT IS PROPRIETARY TO MOLEX INC. AND SHOULD NOT BE USED WITHOUT WRITTEN PERMISSION.		
APP'D. RAS	SCALE 2 : 1	SIZE CP C		



RECEPTACLE

DIMENSIONS SHOWN (METRIC) INCH  
UNLESS OTHERWISE SPECIFIED  
TOLERANCES ANGLES ARE ± .001

	INCH	METRIC
3 PLACE	± .010	---
2 PLACE	± .014	± 0.25
1 PLACE	---	± 0.36

DRAFT WHERE APPLICABLE MUST REMAIN WITHIN DIMENSIONS

REVISIONS		REVISE ONLY ON CAD SYSTEM	
TITLE .093/(2.36) HOUSING PLUG AND RECEPTACLE 6 CIRCUIT, .264/(6.70) CTRS			
PART NO. SEE SHEET 3		DATE 1/22/88	
DRAWING NO. SD-3191-6*		SHEET NO. 2	
FILE NAME S31916		DRAWING NO. 60532	
SCALE 2:1		THIS DRAWING CONTAINS INFORMATION THAT IS PROPRIETARY TO MOLEX INC. AND SHOULD NOT BE USED WITHOUT WRITTEN PERMISSION	
APP'D. BY RAS		DYN. SIZE C	

DRAWING BY JUS		ENK'D. BY RW	
APP'D. BY RAS		SCALE 2:1	
LTR.	REVISIONS	LTR.	REVISIONS
		J	SEE SHT 1

