

Distributed by:

**JAMECO**<sup>®</sup>  
ELECTRONICS

**www.Jameco.com ♦ 1-800-831-4242**

The content and copyrights of the attached  
material are the property of its owner.

Jameco Part Number 743242

## FEATURES AND SPECIFICATIONS

### Features and Benefits

- Positive lock
- Fully isolated terminals
- Polarized housing assures proper mating
- Male and female terminals may be used in receptacle housing

### Reference Information

Packaging: Bag  
 UL File No.: E29179  
 CSA File No.: LR19980  
 TUV License No.: R75107  
 Mates With: [5219](#) header and [3191](#) plug  
 Use With: Standard .093" terminal  
 Designed In: Inches

### Electrical

Voltage: 600V  
 Current: 12.0A max.\*  
 Dielectric Withstanding Voltage: 5000V AC rms

### Mechanical

Contact Retention to Housing: 20 lb min.

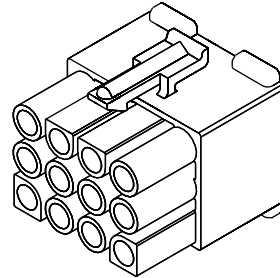
### Physical

Housing: Nylon, UL 94V-0 or 94V-2  
 Operating Temperature: -40 to +105°C

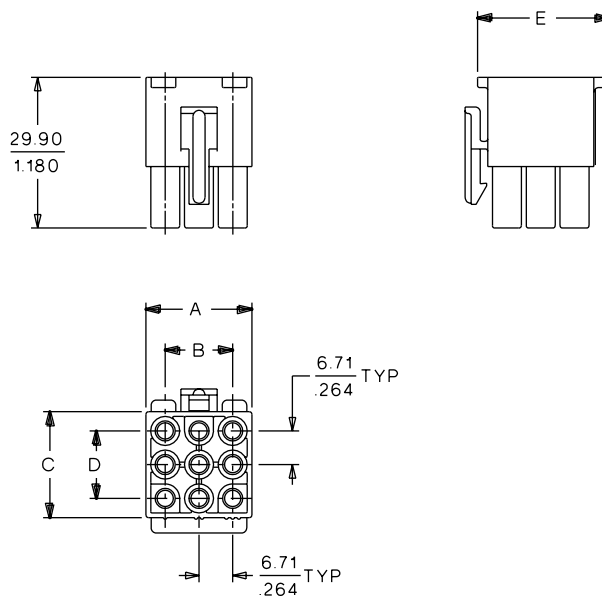
\* Depending on circuit size and wire gauge; please refer to product specifications

# molex® 6.71 mm (.264") Pitch .093" Pin and Socket Receptacle

## 3191



## CATALOG DRAWING (FOR REFERENCE ONLY)



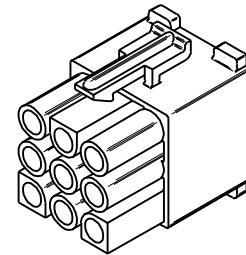
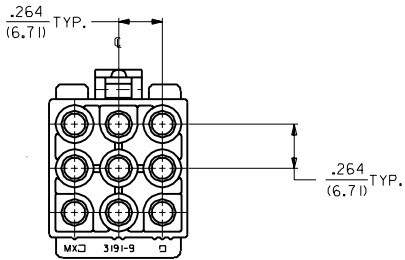
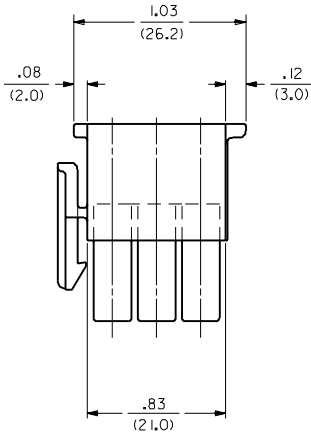
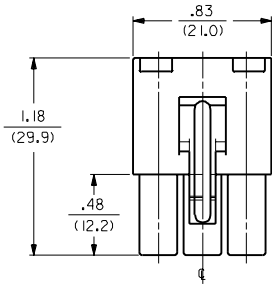
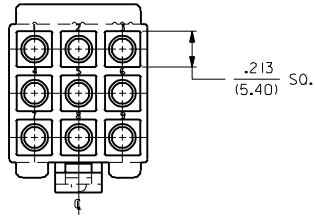
## ORDERING INFORMATION AND DIMENSIONS

Circuits	Order No.		Amperes per Circuit	Dimension				
	94V-2	94V-0		A	B	C	D	E
1	• 19-09-1019	• 19-09-1016	12	7.60 (.300)		7.60 (.300)		10.62 (.418)
2	• 19-09-1029	• 19-09-1026	12	14.30 (.560)	6.71 (.264)	7.60 (.300)		12.70 (.500)
3	• 19-09-1039	• 19-09-1036	11	21.00 (.830)	13.42 (.528)	7.60 (.300)		12.70 (.500)
4	• 19-09-1049	• 19-09-1046	9	27.70 (1.090)	20.13 (.792)	7.60 (.300)		12.70 (.500)
6	• 19-09-1069	• 19-09-1066	9	21.00 (.830)	13.42 (.528)	14.30 (.560)	6.71 (.264)	19.38 (.763)
9	• 19-09-1099	• 19-09-1096	9	21.00 (.830)	13.42 (.528)	21.00 (.830)	13.42 (.528)	26.20 (1.030)
12	• 19-09-1129	• 19-09-1126	9	27.70 (1.090)	20.13 (.792)	21.00 (.830)	13.42 (.528)	26.20 (1.030)
15	• 19-09-1159	• 19-09-1156	9	34.40 (1.350)	26.84 (1.056)	21.00 (.830)	13.42 (.528)	26.20 (1.030)

• US Standard Product, available through Molex franchised distributors



13 12 11 10 9 8 7 6 3191 4 3 2 1



**RECEPTACLE**

DIMENSIONS SHOWN METRIC (INCH)

UNLESS OTHERWISE SPECIFIED TOLERANCES: ANGULAR ± .005 TO

	INCH	METRIC
3 PLACE	± .010	---
2 PLACE	± .014	± 0.25
1 PLACE	---	± 0.35

DRAFT WHERE APPLICABLE MUST REMAIN WITHIN DIMENSIONS

DRWG. BY: RAS  
APP'D. BY: RAS

REVISIONS ONLY ON CAD SYSTEM

TITLE	.093/(2.36) HOUSING, PLUG AND RECEPTACLE, 9 CKT., .264/(6.70) CTRS.	
PART NO.	MOLEX INCORPORATED	SHEET NO. 2
DATE	8/2/89	

SEE CHART  
SD-3191-9  
DIV. CP  
SIZE

LTR.	REVISIONS	LTR.	REVISIONS
		J	SEE SHT. 1

13 12 11 10 9 8 7 6 5 4 3 2 1

PLUG	
PART NO.	ENG. NO.
19-09-2098	3191-9P
19-09-2099	3191-9P1
19-09-2097	3191-9P-201
19-09-2096	3191-9P1-201

RECEPTACLE	
PART NO.	ENG. NO.
19-09-1099	3191-9R1
19-09-1096	3191-9R1-201

LEGEND:

3191-9\*\*\*\*-\*

CIRCUIT SIZE →

P = PLUG

R = RECEPTACLE

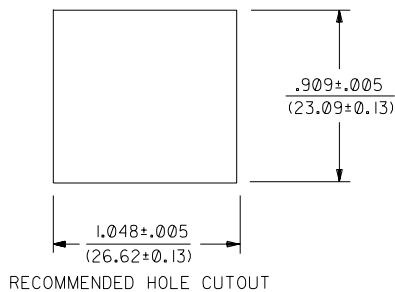
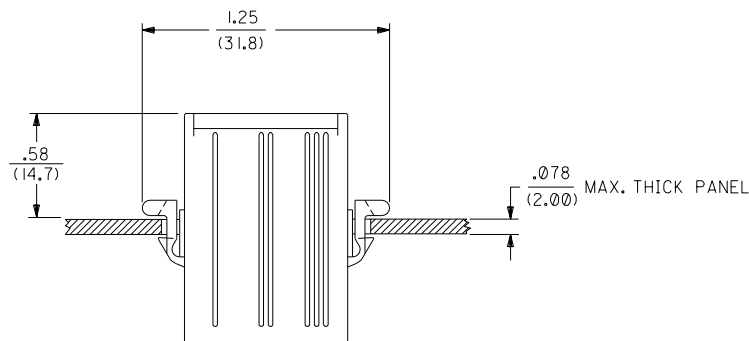
EARS: BLANK = WITH PREBENT EARS (PLUG ONLY)

I = WITHOUT EARS

COLOR: BLANK = NATURAL COLOR

AM=AMBER BK=BLACK BU=BLUE  
 BN=BROWN GY=GRAY GN=GREEN  
 OR=ORANGE RD=RED YW=YELLOW  
 COLORS AVAILABLE ONLY IN 94V-2 MATERIAL

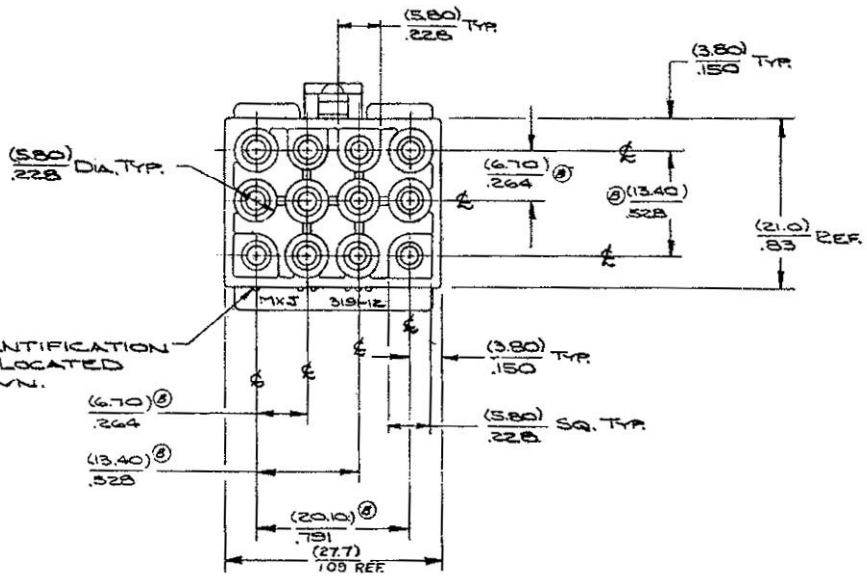
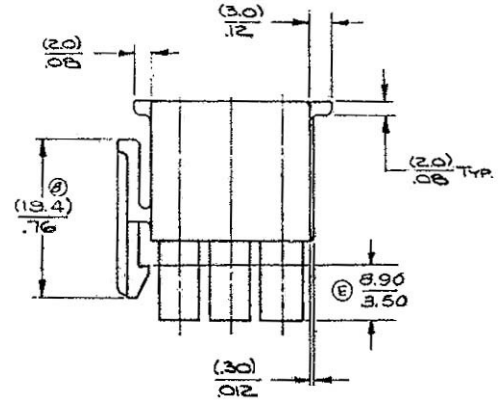
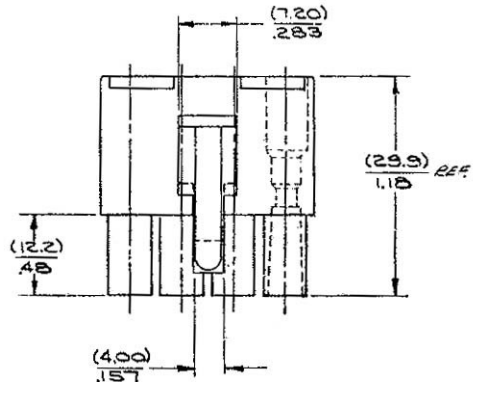
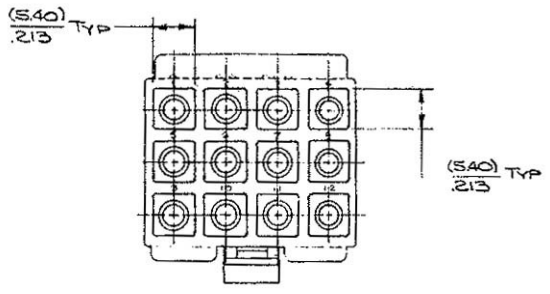
MATERIAL: BLANK=NYLON TYPE 6/6, 94V-2  
 201=NYLON TYPE 6/6, 94V-0



NOTES:

1. THESE HOUSINGS FOR USE WITH MOLEX .093/(2.36) DIAMETER SERIES TERMINALS.

DIMENSIONS SHOWN (METRIC) INCH		REVISIONS	
UNLESS OTHERWISE SPECIFIED TOLERANCES: ANGULAR ± .04°   10		LTR. REVISIONS	
5 PLACE ± .010	---	SEE SHT. 1	
2 PLACE ± .014	± 0.25	REVISIONS	
1 PLACE ---	± 0.35	REVISIONS	
DRAFT WHERE APPLICABLE MUST REMAIN WITHIN DIMENSIONS		LTR. REVISIONS	
DRWG. BY: CEP	CHK'D. BY: RW	LTR. REVISIONS	
APP'D. BY: RAS	SCALE: ---:---	LTR. REVISIONS	
TITLE: .093/(2.36) HOUSINGS PLUG AND RECEPTACLE 9 CKT., 264/(6.70) CTRS.		LTR. REVISIONS	
MOLEX INCORPORATED		LTR. REVISIONS	
SHEET NO. 3		LTR. REVISIONS	
DATE 8/2/89		LTR. REVISIONS	
PART NO. SD-3191-9*		LTR. REVISIONS	
SEE CHART		LTR. REVISIONS	
FILE NAME: 531919X3		LTR. REVISIONS	
THIS DRAWING CONTAINS INFORMATION THAT IS PROPRIETARY TO MOLEX INC. AND SHOULD NOT BE USED WITHOUT WRITTEN PERMISSION.		LTR. REVISIONS	
DIV. CP		LTR. REVISIONS	
SIZE C		LTR. REVISIONS	



SIDE IDENTIFICATION BEADS LOCATED AS SHOWN.

19-09-112\*  
SD-3191-12R1-D

NOTE:  
THIS HOUSING FOR USE WITH MOLEX (236)/.093 DIA. FEMALE TERMINALS.

PART NO.	ENG. NO.	MATERIAL
NOT TOOLED	SDX-3191-12R1-D	NYLON 6/6, 94U-2 COLOR NATURAL.
19-09-3121	SD-3191-12R1-203	ASAHI CEONA FR-200 (-D INDICATES DYED)
NOT TOOLED	SDX-3191-12R1-202	MOD. NYLON 6/6 94U-2 DUPONT FE-3016
NOT TOOLED	SDX-3191-12R1-200	MOD. NYLON 6/6, 94U-0, MOUSANTO M340
19-09-1120	SD-3191-12R1-201	MOD. NYLON 6/6, 94U-0, WELLAMID FE2-PA
19-09-1129	SD-3191-12R1	NYLON 6/6, 94U-2

REV.	DATE	DESCRIPTION
1	11/21/78	INITIAL DESIGN
2	12/1/78	REVISED TO ADD DIMENSIONS
3	12/1/78	REVISED TO ADD DIMENSIONS
4	12/1/78	REVISED TO ADD DIMENSIONS
5	12/1/78	REVISED TO ADD DIMENSIONS
6	12/1/78	REVISED TO ADD DIMENSIONS
7	12/1/78	REVISED TO ADD DIMENSIONS
8	12/1/78	REVISED TO ADD DIMENSIONS
9	12/1/78	REVISED TO ADD DIMENSIONS
10	12/1/78	REVISED TO ADD DIMENSIONS
11	12/1/78	REVISED TO ADD DIMENSIONS
12	12/1/78	REVISED TO ADD DIMENSIONS
13	12/1/78	REVISED TO ADD DIMENSIONS

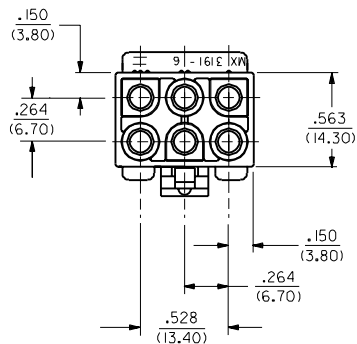
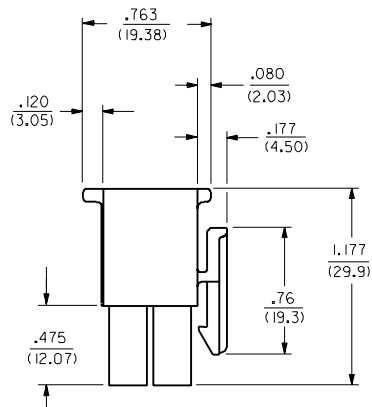
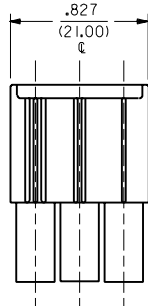
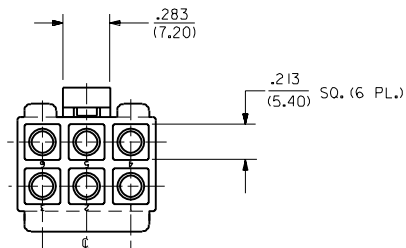
AGFO

MOLEX INCORPORATED

19-09-112\* SD-3191-12R1-D

DATE: 10/21/78

SCALE: 2X



RECEPTACLE

DIMENSIONS SHOWN METRIC (INCH)		UNLESS OTHERWISE SPECIFIED TOLERANCES: ANGULAR ± .010		REVISIONS	
INCH	METRIC	FILE NO.	TITLE	SHEET NO.	DATE
3 PLACE ± .010	---	SEE SHEET 3	.093/(2.36) HOUSING PLUG AND RECEPTACLE 6 CIRCUIT, .264/(6.70)CTRS	2	1/22/88
2 PLACE ± .014	± 0.25	MOLEX INCORPORATED		DIV.	
1 PLACE ---	± 0.36	LITSE,ILL. 60532 U.S.A.		SIZE	
DRAFT WHERE APPLICABLE MUST REMAIN WITHIN DIMENSIONS		PART NO. SD-3191-6		C	
DRW. BY JJS	CHKD. BY RW	THIS DRAWING CONTAINS INFORMATION THAT IS PROPRIETARY TO MOLEX INC. AND SHOULD NOT BE USED WITHOUT WRITTEN PERMISSION.		SCALE 2:1	
APP'D. BY RAS	SCALE 2:1				

LTR.	REVISIONS	LTR.	REVISIONS
		J	SEE SHT 1

	13	12	11	10	9	8	7	6	5	4	3	2	1
	PLUG		RECEPTACLE										
J	PART NO.	ENG. NO.	PART NO.	ENG. NO.									
	19-09-2068	3191-6P	19-09-1069	3191-6R1									
	19-09-2069	3191-6P1	19-09-1066	3191-6R1-201									
	19-09-2067	3191-6P-201	19-09-6060	3191-6R IRD									
	19-09-2066	3191-6P1-201	19-09-6069	3191-6R IBK									
I	19-09-7069	3191-6PRD											
	19-09-7068	3191-6PBK											
H	<p style="text-align: right;">LEGEND:</p> <p style="text-align: right;">3191-6****-*</p> <p>CIRCUIT SIZE →</p> <p>P = PLUG</p> <p>R = RECEPTACLE</p> <p>EARS: BLANK = WITH PREBENT EARS (PLUG ONLY)</p> <p>I = WITHOUT EARS</p> <p>COLOR: BLANK = NATURAL COLOR</p> <p>AM=AMBER BK=BLACK BU=BLUE</p> <p>BN=BROWN GY=GRAY GN=GREEN</p> <p>OR=ORANGE RD=RED YW=YELLOW</p> <p>COLORS AVAILABLE ONLY IN 94V-2 MATERIAL</p> <p>MATERIAL: BLANK=NYLON TYPE 6/6, 94V-2</p> <p>201=NYLON TYPE 6/6, 94V-0</p>												
G	<p style="text-align: center;">RECOMMENDED HOLE CUTOUT</p> <p style="text-align: center;">MOUNTING HOLE DETAIL</p>												
F													
E													
D													
C													
B													
A													
	13	12	11	10	9	8	7	6	5	4	3	2	1

J

I

H

G

F

E

D

C

B

A

3191

DIMENSIONS SHOWN (METRIC) INCH		UNLESS OTHERWISE SPECIFIED TOLERANCES: ANGLES .015 ± DCP		REVISIONS		MOLEX INCORPORATED		SHEET NO. 3		DATE 1/22/88	
3 PLACE	± .010	---		M	SEE SHEET 1	MOLEX INCORPORATED		SHEET NO. 3		DATE 1/22/88	
2 PLACE	± .014	± 0.25		L	SEE SHT. 1	MOLEX INCORPORATED		SHEET NO. 3		DATE 1/22/88	
1 PLACE	---	± 0.36		K	SEE SHT. 1	MOLEX INCORPORATED		SHEET NO. 3		DATE 1/22/88	
DRAFT WHERE APPLICABLE MUST REMAIN WITHIN DIMENSIONS						MOLEX INCORPORATED		SHEET NO. 3		DATE 1/22/88	
DRWG. BY: JUS		CHK'D. BY: RW		REVISIONS		MOLEX INCORPORATED		SHEET NO. 3		DATE 1/22/88	
APP'D. BY: RAS		SCALE: --:--		REVISIONS		MOLEX INCORPORATED		SHEET NO. 3		DATE 1/22/88	
FILE NAME: S31916X3.DGN		THIS DRAWING CONTAINS INFORMATION THAT IS PROPRIETARY TO MOLEX INC. AND SHOULD NOT BE USED WITHOUT WRITTEN PERMISSION		REVISIONS		MOLEX INCORPORATED		SHEET NO. 3		DATE 1/22/88	

TITLE

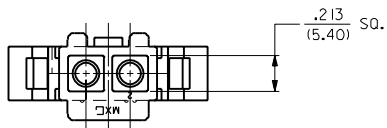
.093/(2.36) HOUSINGS  
PLUG AND RECEPTACLE  
6 CKT., .264/(6.70) CTRS.

SEE CHART

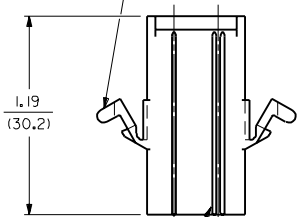
SD-3191-6\*

DIV. SIZE  
CP IC

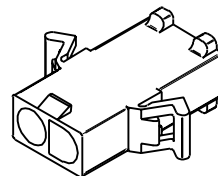
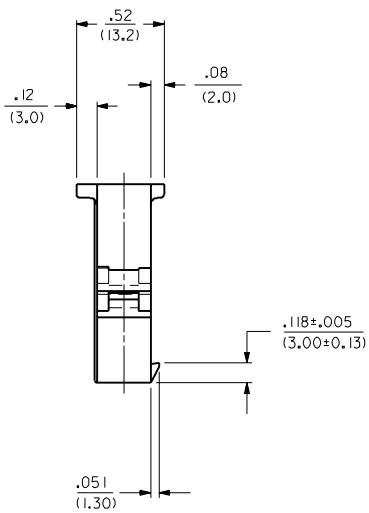
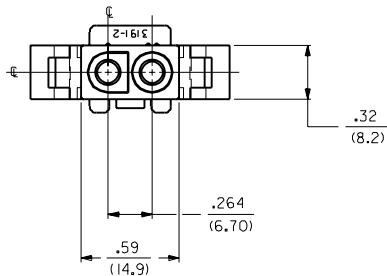




PREBENT MOUNTING EAR  
(WHEN SPECIFIED)



CIRCUIT NUMBER  
IDENTIFICATION RIBS



**PLUG**

3	E2	
2	D	
1	E4	
<input checked="" type="checkbox"/>	SH.	REV. LTR. REVISIONS

**REVISE ONLY ON CAD SYSTEM**

DIMENSIONS SHOWN METRIC (INCH)  $\nabla = 0$   $\blacktriangledown = 0$

UNLESS OTHERWISE SPECIFIED  
TOLERANCES: ANGULAR  $\pm .001$  TO

INCH	METRIC
3 PLACE $\pm .010$	---
2 PLACE $\pm .014$	$\pm 0.25$
1 PLACE ---	$\pm 0.35$

DRAFT WHERE APPLICABLE MUST REMAIN WITHIN DIMENSIONS

PART NO. **SEE CHART** DRWG. NO. **SD-3191-2\***

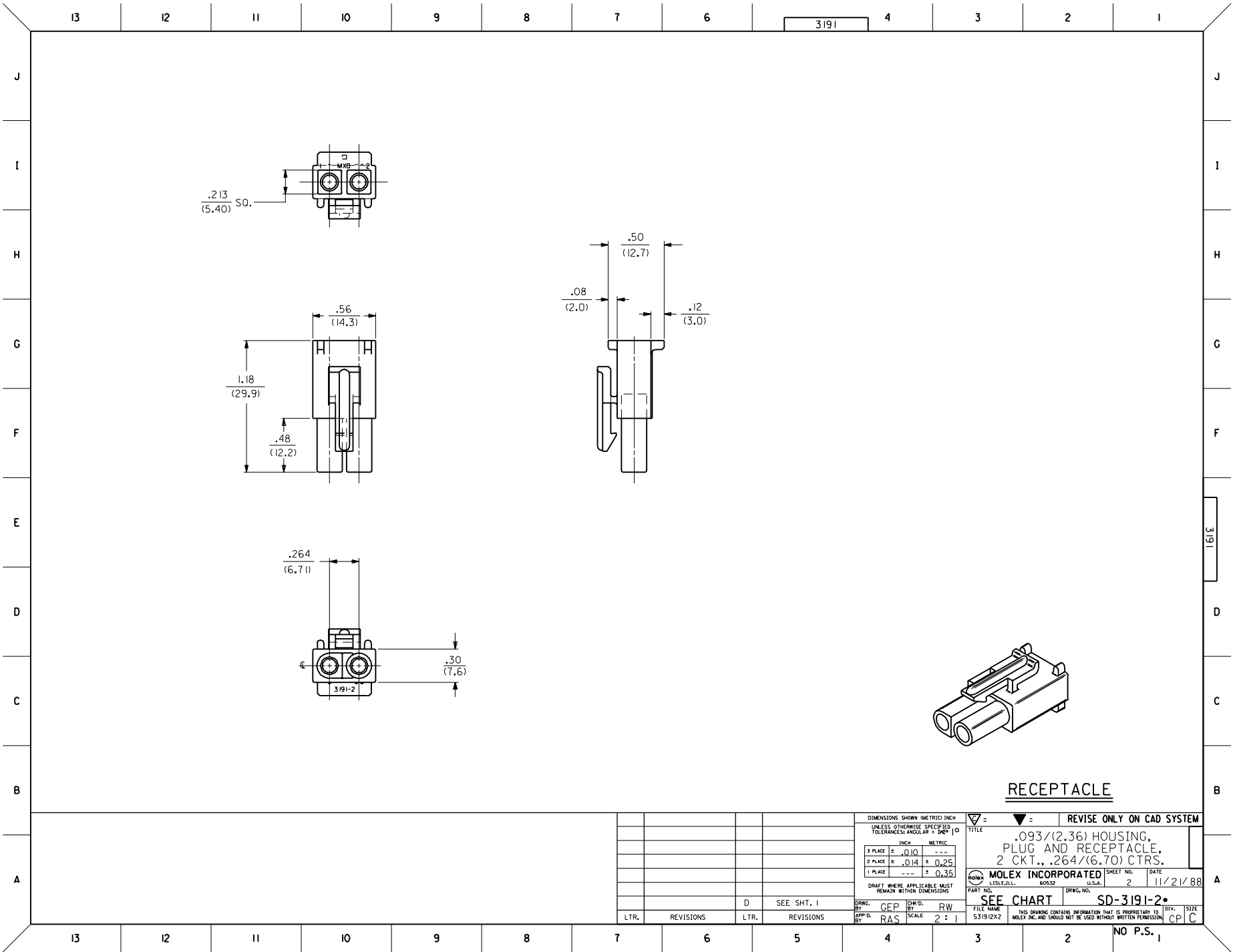
TITLE **.093/(2.36) HOUSING, PLUG AND RECEPTACLE, 2 CKT  $\pm .264/(6.70)$  CTRS.**

MOLEX INCORPORATED SHEET NO. DATE  
LITTLE ROCK, ARK. U.S.A. 1 of 3 11/21/88

DRWG. BY: CEP CHKD. BY: RW  
APP'D. BY: RAS SCALE: 2 : 1  
FILE NAME: S31912X1.DWG

NO P.S. 1

E4	REVISED UCR 98-0148 WANG 98-04-15
E3	ADD RAMP DIM'S ECN #U4 0293 3-1-94 RW
E2	X-REMOVE ECR U3 0001 GC 12/30/92 RW
E1	REL. RED VERSIONS ECR U1 2167 GC 1/24/92 RW
E	REV. MATL. CODE ECR # U90901 KBW 01-25-89 RW
D	REV. & REDRAWN ECR UB 1858 GEP 11-21-88 RW

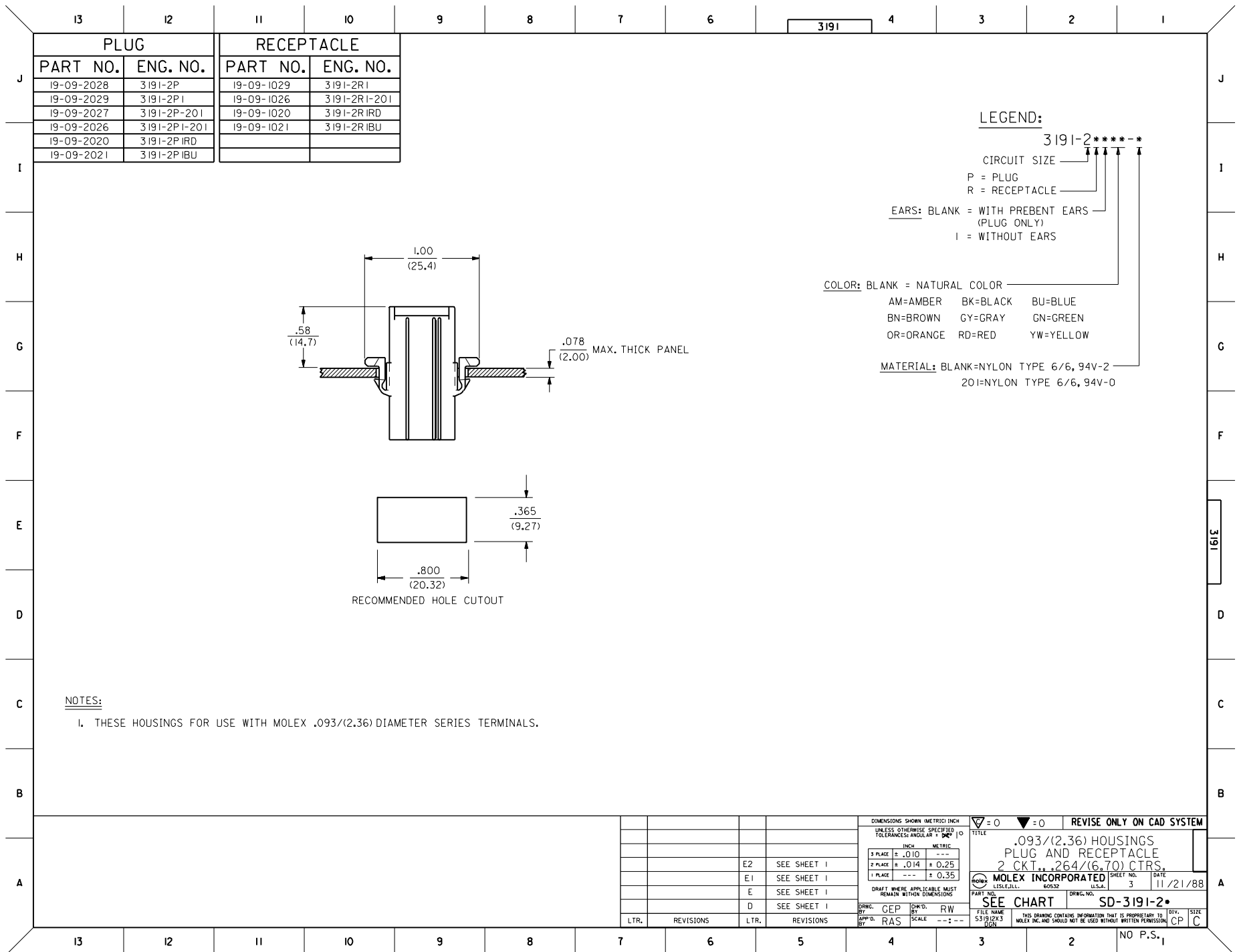


**RECEPTACLE**

DIMENSIONS SHOWN (METRIC) INCH		REVISIONS ONLY ON CAD SYSTEM	
UNLESS OTHERWISE SPECIFIED TOLERANCES ARE AS SHOWN		TITLE	
INCH METRIC		.093/(2.36) HOUSING, PLUG AND RECEPTACLE, 2 CKT., .264/(6.70) CTRS.	
3 PLACE ± .010 ---		MOLEX INCORPORATED	SHEET NO. 2
2 PLACE ± .014 ± 0.25		60532	DATE 11/21/88
1 PLACE --- ± 0.35		U.S.A.	
DRAFT WHERE APPLICABLE MUST REMAIN WITHIN DIMENSIONS		PART NO. SD-3191-2	
DRAWN BY: CEP		SCALE 2 : 1	
APP'D. BY: RAS		FILE NAME: 531912X2	
BY: RW		THIS DRAWING CONTAINS INFORMATION THAT IS PROPRIETARY TO MOLEX INC. AND SHOULD NOT BE USED WITHOUT WRITTEN PERMISSION	
SCALE 2 : 1		CP/C	

D	SEE SHT. 1
LTR.	REVISIONS
LTR.	REVISIONS

NO P.S. 1



PLUG		RECEPTACLE	
PART NO.	ENG. NO.	PART NO.	ENG. NO.
19-09-2028	3191-2P	19-09-1029	3191-2R1
19-09-2029	3191-2P1	19-09-1026	3191-2R1-201
19-09-2027	3191-2P-201	19-09-1020	3191-2R IRD
19-09-2026	3191-2P1-201	19-09-1021	3191-2R IBU
19-09-2020	3191-2P IRD		
19-09-2021	3191-2P IBU		

**LEGEND:**

3191-2\*\*\*\*-\*

CIRCUIT SIZE

P = PLUG

R = RECEPTACLE

EARS: BLANK = WITH PREBENT EARS (PLUG ONLY)

I = WITHOUT EARS

COLOR: BLANK = NATURAL COLOR

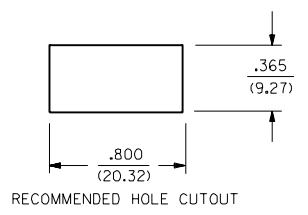
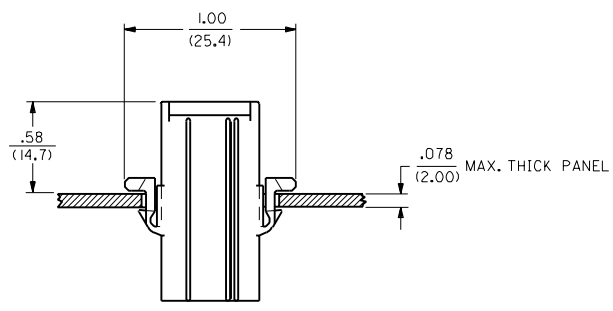
AM=AMBER BK=BLACK BU=BLUE

BN=BROWN GY=GRAY GN=GREEN

OR=ORANGE RD=RED YW=YELLOW

MATERIAL: BLANK=NYLON TYPE 6/6, 94V-2

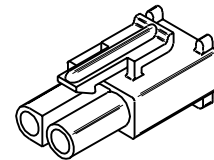
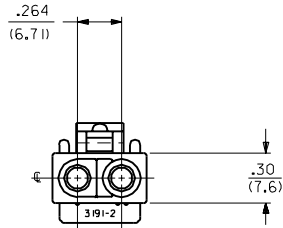
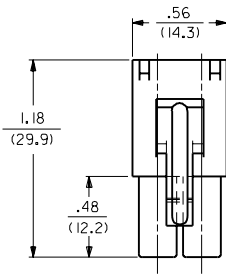
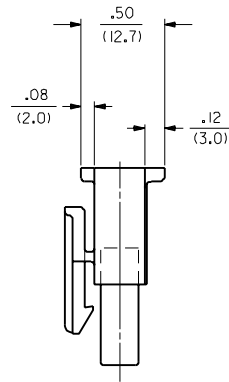
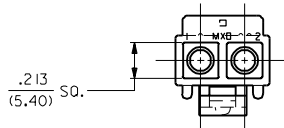
201=NYLON TYPE 6/6, 94V-0



**NOTES:**

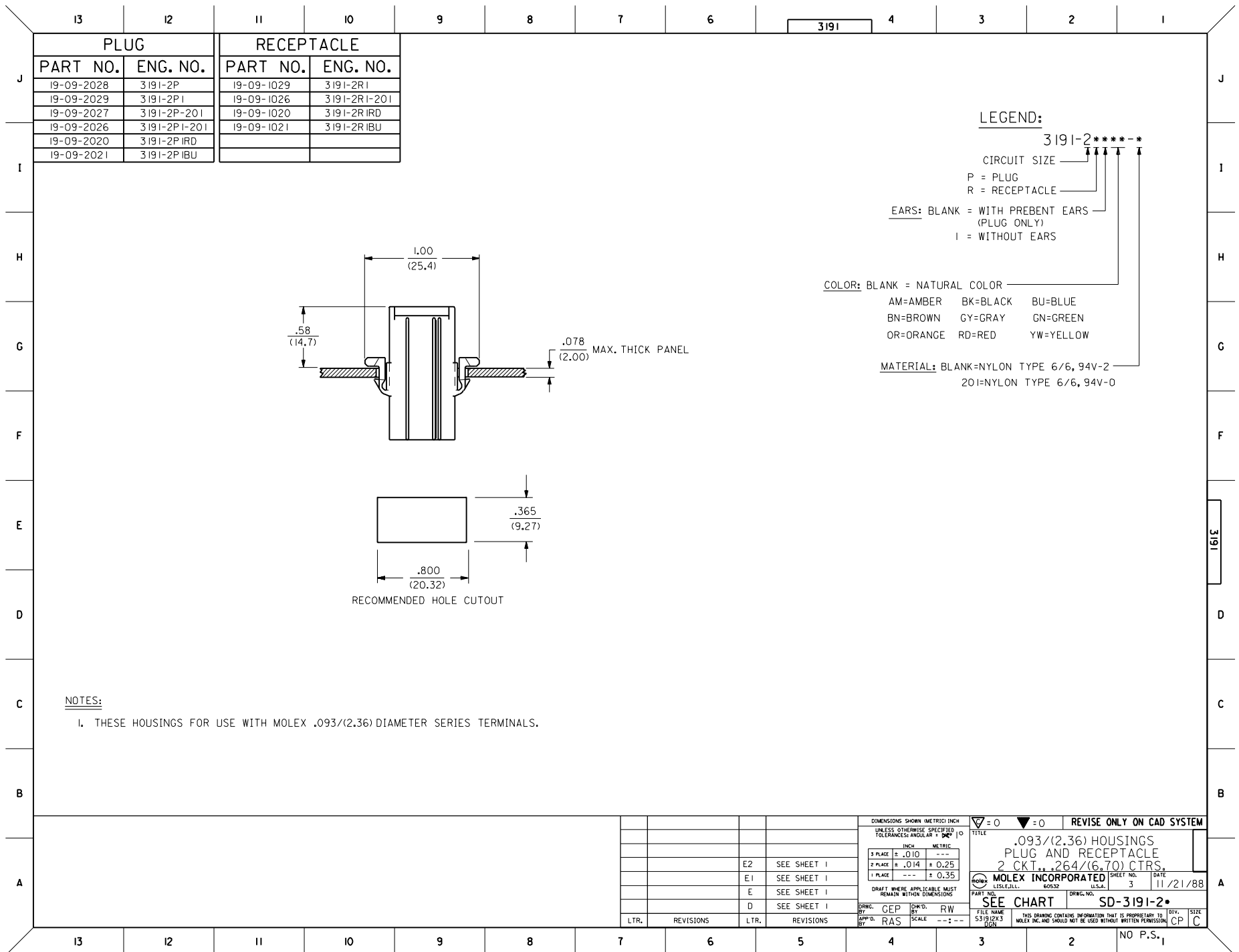
1. THESE HOUSINGS FOR USE WITH MOLEX .093/(2.36) DIAMETER SERIES TERMINALS.

DIMENSIONS SHOWN (METRIC) INCH		▽=0 ▼=0		REVISE ONLY ON CAD SYSTEM	
UNLESS OTHERWISE SPECIFIED TOLERANCES: ANGLES .01°					
INCH		METRIC		TITLE	
3 PLACE	± .010	---	---	.093/(2.36) HOUSINGS	
2 PLACE	± .014	± 0.25	---	PLUG AND RECEPTACLE	
1 PLACE	---	± 0.35	---	2 CKT., .264/(6.70) CTRS.	
DRAFT WHERE APPLICABLE MUST REMAIN WITHIN DIMENSIONS					
DRWG. BY: CEP	CHK'D. BY: RW	FILE NAME: 531912X3	SCALE: --:--	PART NO. SEE CHART	DRWG. NO. SD-3191-2*
APP'D. BY: RAS	SCALE: --:--	THIS DRAWING CONTAINS INFORMATION THAT IS PROPRIETARY TO MOLEX INC. AND SHOULD NOT BE USED WITHOUT WRITTEN PERMISSION.		SHEET NO. 3	DATE 11/21/88
LTR. REVISIONS				NO P.S. 1	



**RECEPTACLE**

DIMENSIONS SHOWN METRIC (INCH)		REVISIONS		REVISIONS	
UNLESS OTHERWISE SPECIFIED TOLERANCES: ANGULAR ± .005° TO		D		SEE SHT. 1	
INCH METRIC		LTR.		LTR.	
3 PLACE ± .010	---				
2 PLACE ± .014	± 0.25				
1 PLACE ---	± 0.35				
DRAFT WHERE APPLICABLE MUST REMAIN WITHIN DIMENSIONS					
DRWG. BY: GEP		CHKD. BY: RW		APP'D. BY: RAS	
SCALE: 2:1					
FILE NAME: S31912X2		PART NO.:		DRWG. NO.:	
THIS DRAWING CONTAINS INFORMATION THAT IS PROPRIETARY TO MOLEX INC. AND SHOULD NOT BE USED WITHOUT WRITTEN PERMISSION.		SEE CHART		SD-3191-2*	
MOLEX INCORPORATED LISLE, ILL. 60532 U.S.A.		SHEET NO. 2		DATE 11/21/88	
DIV. CP		SIZE		NO P.S. 1	



PLUG		RECEPTACLE	
PART NO.	ENG. NO.	PART NO.	ENG. NO.
19-09-2028	3191-2P	19-09-1029	3191-2R1
19-09-2029	3191-2P1	19-09-1026	3191-2R1-201
19-09-2027	3191-2P-201	19-09-1020	3191-2R IRD
19-09-2026	3191-2P1-201	19-09-1021	3191-2R IBU
19-09-2020	3191-2P IRD		
19-09-2021	3191-2P IBU		

**LEGEND:**

3191-2\*\*\*\*-\*

CIRCUIT SIZE

P = PLUG

R = RECEPTACLE

EARS: BLANK = WITH PREBENT EARS (PLUG ONLY)

I = WITHOUT EARS

COLOR: BLANK = NATURAL COLOR

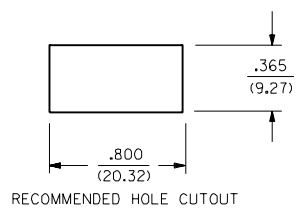
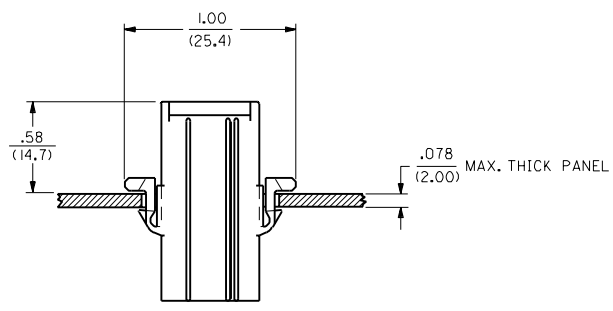
AM=AMBER BK=BLACK BU=BLUE

BN=BROWN GY=GRAY GN=GREEN

OR=ORANGE RD=RED YW=YELLOW

MATERIAL: BLANK=NYLON TYPE 6/6, 94V-2

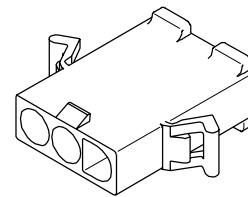
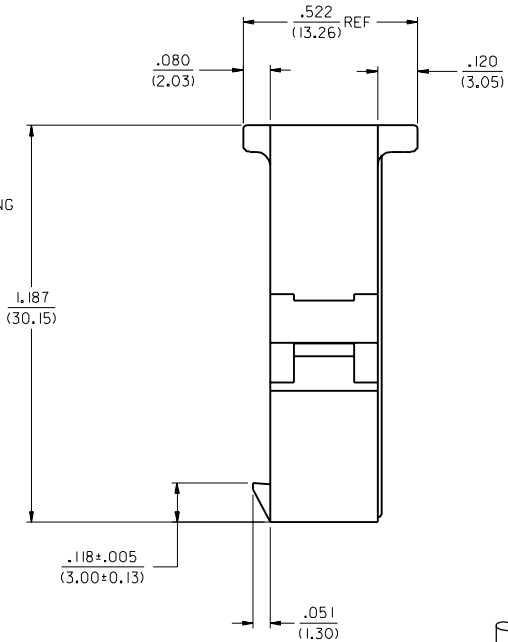
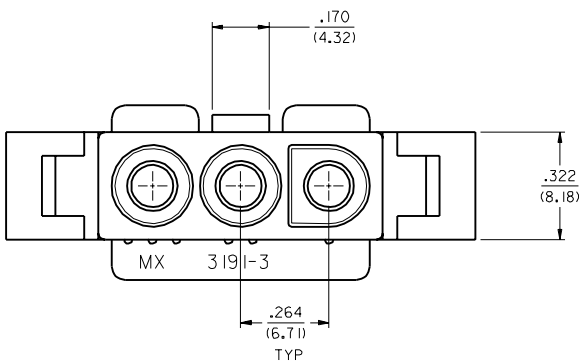
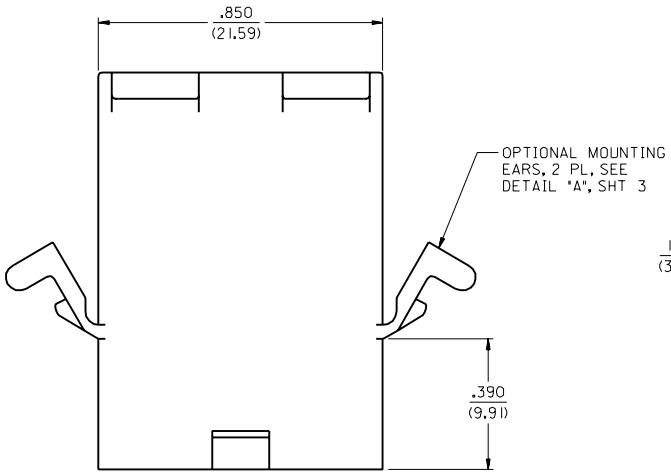
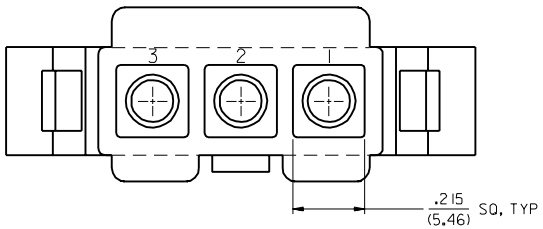
201=NYLON TYPE 6/6, 94V-0



**NOTES:**

1. THESE HOUSINGS FOR USE WITH MOLEX .093/(2.36) DIAMETER SERIES TERMINALS.

DIMENSIONS SHOWN (METRIC) INCH		▽=0 ▼=0		REVISE ONLY ON CAD SYSTEM	
UNLESS OTHERWISE SPECIFIED TOLERANCES: ANGLES .015°		TITLE		.093/(2.36) HOUSINGS PLUG AND RECEPTACLE	
3 PLACE ± .010 ---		INCH		2 CKT., .264/(6.70) CTRS.	
2 PLACE ± .014 ± 0.25		METRIC		MOLEX INCORPORATED	
1 PLACE --- ± 0.35		DRAFT WHERE APPLICABLE MUST REMAIN WITHIN DIMENSIONS		LITTLE, JILL. 60532 U.S.A. 3 11/21/88	
DRAWING REVISIONS		PART NO.		SD-3191-2*	
BY: CEP		DRAWN BY: RW		SEE CHART	
APP'D. BY: RAS		SCALE: --:--		THIS DRAWING CONTAINS INFORMATION THAT IS PROPRIETARY TO MOLEX INC. AND SHOULD NOT BE USED WITHOUT WRITTEN PERMISSION.	
LTR.		LTR.		NO P.S. 1	



PLUG

3	J5			
2	J5	J5	REDRAWN ON CAD	
1	J5		ECR U6 0734	RW
			CK 1/8/96	

MMB, SH, REV, LTR, REVISIONS

DIMENSIONS SHOWN METRIC (INCH) UNLESS OTHERWISE SPECIFIED TOLERANCES: ANGULAR ± 1/2°

INCH	METRIC
3 PLACE ± .010	---
2 PLACE ± .015	± 0.25
1 PLACE ---	± 0.38

DRAFT WHERE APPLICABLE MUST REMAIN WITHIN DIMENSIONS

MOLEX INCORPORATED  
LITSEJLL, 60532 U.S.A.

FILE NAME: SD-3191-3  
SCALE: 4 : 1

TITLE: .093/(2.36) HOUSING PLUG AND RECEPTACLE 3 CKT., .264/(6.71) CTRS.

SEE CHART

SD-3191-3

DATE: 1/ 8/96

NO P.S.

13 12 11 10 9 8 7 6 3191 4 3 2 1

PLUG		RECEPTACLE	
PART NO.	ENG. NO.	PART NO.	ENG. NO.
19-09-2038	3191-3P	19-09-1039	3191-3R1
19-09-2039	3191-3P1	19-09-1036	3191-3R1-201
19-09-2037	3191-3P-201	19-09-3030	3191-3R1RD
19-09-2036	3191-3P1-201		
19-09-1038	3191-3P1RD		
19-09-3032	3191-3PRD		
19-09-3033	3191-3PBU		

**LEGEND**

3191-3\*\*\*\*\*

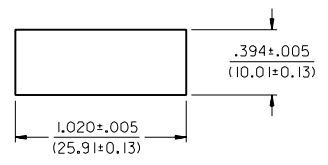
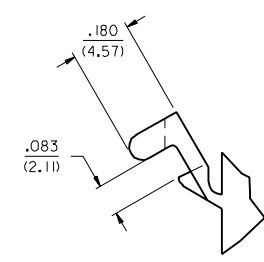
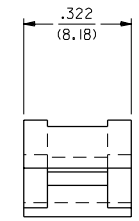
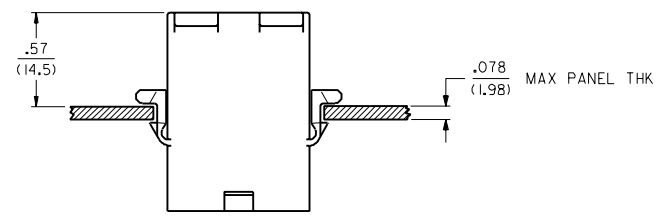
CIRCUIT SIZE

P = PLUG  
R = RECEPTACLE

EARS: BLANK = WITH PREBENT EARS (PLUG ONLY)  
I = WITHOUT EARS

COLOR: BLANK = NATURAL COLOR  
AM=AMBER BK=BLACK BU=BLUE  
BN=BROWN GY=GRAY GN=GREEN  
OR=ORANGE RD=RED YW=YELLOW  
COLORS AVAILABLE ONLY IN 94V-2 MATERIAL

MATERIAL: BLANK=NYLON TYPE 6/6,94V-2  
201=NYLON TYPE 6/6, 94V-0



RECOMMENDED HOLE CUTOUT

DETAIL "A"  
PREBENT MOUNTING EAR  
(SCALE 4:1)

DIMENSIONS SHOWN (METRIC) INCH		▽=0	▼=0	REVISE ONLY ON CAD SYSTEM
UNLESS OTHERWISE SPECIFIED TOLERANCES ANGULAR ± 1/2°		TITLE		
		.093/(2.36) HOUSINGS		
		PLUG AND RECEPTACLE		
		3 CKT. ±.264/(6.71) CTRS.		
		MOLEX INCORPORATED		
		LITTLE,ILL. 60532 U.S.A. SHEET NO. 3 DATE 1/8/96		
		PART NO. SEE CHART SD-3191-3•		
		DRAWING NO.		
		THIS DRAWING CONTAINS INFORMATION THAT IS PROPRIETARY TO MOLEX INC. AND SHOULD NOT BE USED WITHOUT WRITTEN PERMISSION		
		CPIC		

13 12 11 10 9 8 7 6 5 4 3 2 NO P.S. 1

13 12 11 10 9 8 7 6 3191 4 3 2 1

PLUG	
PART NO.	ENG. NO.
19-09-2038	3191-3P
19-09-2039	3191-3PI
19-09-2037	3191-3P-201
19-09-2036	3191-3PI-201
19-09-1038	3191-3PIRD
19-09-3032	3191-3PRD
19-09-3033	3191-3PBU

RECEPTACLE	
PART NO.	ENG. NO.
19-09-1039	3191-3RI
19-09-1036	3191-3RI-201
19-09-3030	3191-3RIRD

**LEGEND**

3191-3\*\*\*\*-\*

CIRCUIT SIZE

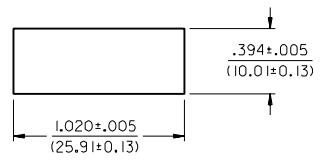
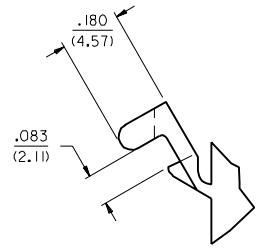
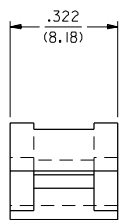
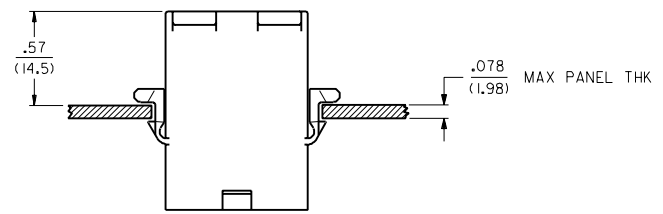
P = PLUG  
R = RECEPTACLE

EARS: BLANK = WITH PREBENT EARS (PLUG ONLY)  
I = WITHOUT EARS

COLOR: BLANK = NATURAL COLOR

AM=AMBER BK=BLACK BU=BLUE  
BN=BROWN GY=GRAY GN=GREEN  
OR=ORANGE RD=RED YW=YELLOW  
COLORS AVAILABLE ONLY IN 94V-2 MATERIAL

MATERIAL: BLANK=NYLON TYPE 6/6,94V-2  
201=NYLON TYPE 6/6, 94V-0



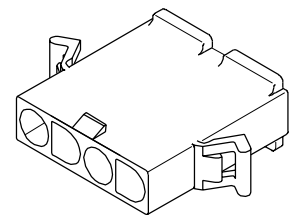
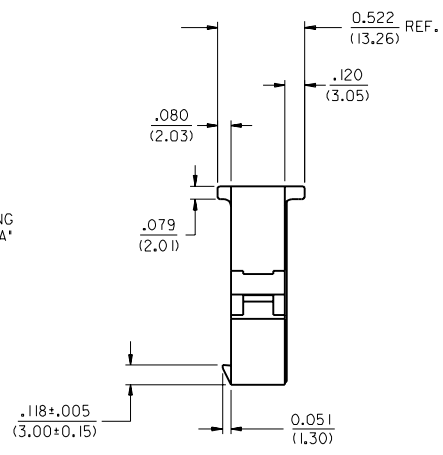
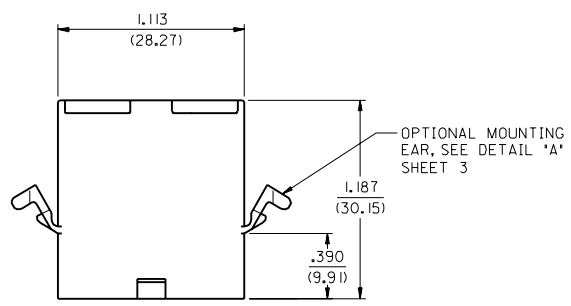
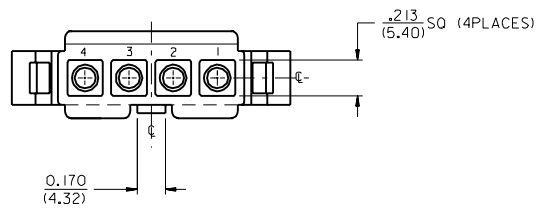
RECOMMENDED HOLE CUTOUT

DETAIL "A"  
PREBENT MOUNTING EAR  
(SCALE 4:1)

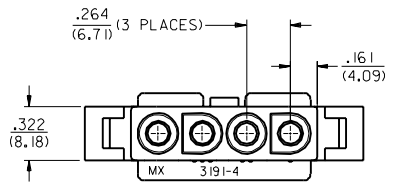
DIMENSIONS SHOWN METRIC (INCH)		▽ = 0 ▼ = 0		REVISE ONLY ON CAD SYSTEM	
UNLESS OTHERWISE SPECIFIED TOLERANCES ANGULAR ± 1/2°		TITLE		.093/(2.36) HOUSINGS PLUG AND RECEPTACLE 3 CKT ± .264/(6.71) CTRS.	
INCH METRIC		MOLEX INCORPORATED		SHEET NO. 3 DATE 1/8/96	
3 PLACE ± .010	---	LITSE,ILL. 60532 U.S.A.		PART NO. SD-3191-3*	
2 PLACE ± .015	± 0.25	SEE CHART		DRWG. NO.	
1 PLACE ---	± 0.38	FILE NAME 531913X3.DWG		DIV. SIZE CP C	
DRAFT WHERE APPLICABLE MUST REMAIN WITHIN DIMENSIONS		THIS DRAWING CONTAINS INFORMATION THAT IS PROPRIETARY TO MOLEX INC. AND SHOULD NOT BE USED WITHOUT WRITTEN PERMISSION.			
DRW: RAS	CHKD: RW	SCALE --:--			
LTR. REVISIONS	LTR. REVISIONS	J5 SEE SHEET 1			

13 12 11 10 9 8 7 6 5 4 3 2 NO P.S. 1





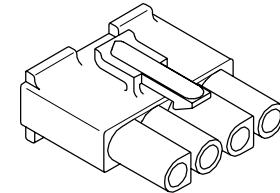
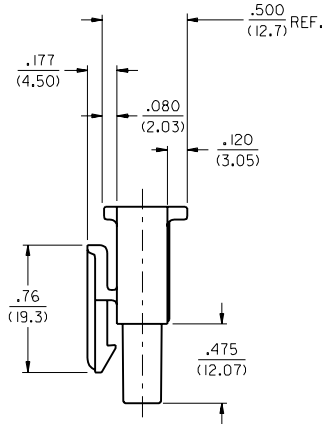
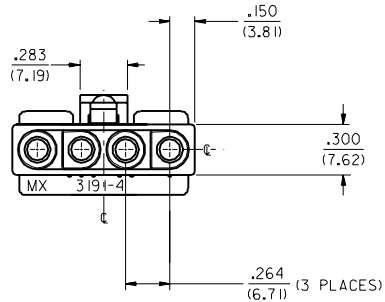
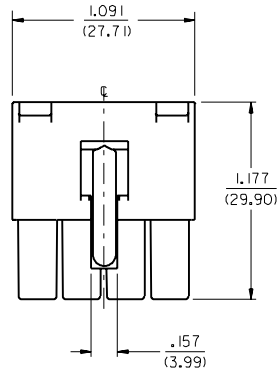
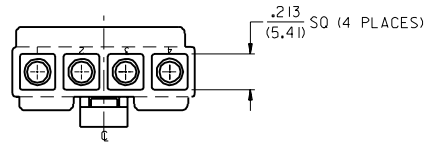
# PLUG HOUSING



3	J3
2	J3
1	J3

SHT	REV
3	J3
2	J3
1	J3

REDRAWN ON CAD EC NO. UCR1998-0254 DRW: J. WANG 000607 CHK: WIRKUS 000607 APPR: R. EDGLEY 000607	QUALITY SYMBOLS MAJOR $\blacktriangledown$ = 0 CRITICAL $\nabla$ = 0	GENERAL TOLERANCES: (UNLESS SPECIFIED)		SCALE 2 : 1	DESIGN UNITS <input type="checkbox"/> mm <input checked="" type="checkbox"/> INCH	THIRD ANGLE PROJECTION <input type="checkbox"/> mm <input checked="" type="checkbox"/> INCH <input type="checkbox"/> mm ONLY	DRAWN BY & DATE J. WANG 98/08/24 CHECKED BY & DATE WIRKUS 98/08/24 APPROVED BY & DATE R. EDGLEY 98/08/24	TITLE: <b>.093/(2.36) HOUSINGS PLUG AND RECEPTACLE 4-CKTS, .264/(6.70) CTRS</b>	MATERIAL NO. SEE SHT. 3	DRAWING NO. SD -3191 -4*	SHEET NO. 1 OF 3
		4 PLACES ±0.--- ±.---	3 PLACES ±0.--- ±.010	2 PLACES ±0.25 ±.015	1 PLACE ±0.38 ±.---						
J3	REV	DRAFT WHERE APPLICABLE MUST REMAIN WITHIN DIMENSIONS									



RECEPTACLE

EC NO. LCR1998-0254 DRWG: J.WANG 000607 CHK: B.WIRKUS 000607 APPR: R.EDGE 000607	QUALITY SYMBOLS MAJOR $\nabla=0$ CRITICAL $\nabla C=0$	GENERAL TOLERANCES: (UNLESS SPECIFIED)		SCALE 2 : 1	DESIGN UNITS <input type="checkbox"/> mm <input checked="" type="checkbox"/> INCH	DIMENSIONS: <input type="checkbox"/> mm <input checked="" type="checkbox"/> INCH <input type="checkbox"/> mm ONLY	SHT. REV REVISE ON CAD ONLY
		4 PLACES $\pm 0, - - -$ $\pm, - - -$ 3 PLACES $\pm 0, - - -$ $\pm, 0 10$ 2 PLACES $\pm 0, 25$ $\pm, 0 15$ 1 PLACE $\pm 0, 38$ $\pm, - - -$	DRAWN BY & DATE J.WANG 98/08/24	TITLE: .093/(2.36) HOUSINGS PLUG AND RECEPTACLE 4 CKT., .264/(6.70) CTRS		CHECKED BY & DATE B.WIRKUS 98/08/24	
J3	REV	DRAFT WHERE APPLICABLE MUST REMAIN WITHIN DIMENSIONS		CAD FILENAME S3191402.DGN	MATERIAL NO. SEE SHT.3	DRAWING NO. SD -3191 -4*	SHEET NO. 2
THIS DRAWING CONTAINS INFORMATION THAT IS PROPRIETARY TO MOLEX INCORPORATED AND SHOULD NOT BE USED WITHOUT WRITTEN PERMISSION.				MOLEX MOLEX INCORPORATED		SIZE C	

13 12 11 10 9 8 7 6 5 4 3 2 3191

PLUG	
PART NO.	ENG. NO.
19-09-2048	3191-4P
19-09-2049	3191-4P1
19-09-2047	3191-4P-A
19-09-2046	3191-4P1-A

RECEPTACLE	
PART NO.	ENG. NO.
19-09-1049	3191-4R1
19-09-1046	3191-4R1-A

### LEGEND

3191-4\*\*\*\*\*

CIRCUIT SIZE

P = PLUG  
R = RECEPTACLE

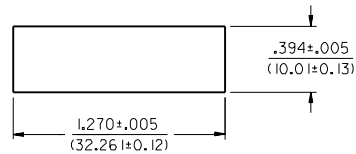
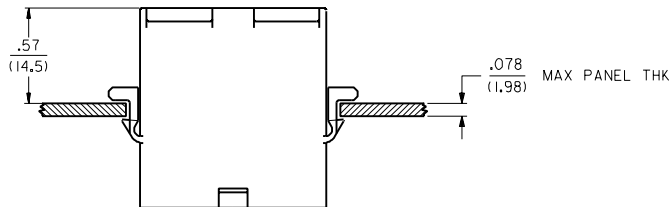
EARS: BLANK = WITH PREBENT EARS (PLUG ONLY)  
I = WITHOUT EARS

COLOR: BLANK = NATURAL COLOR

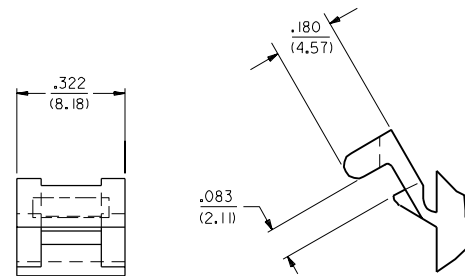
AM=AMBER BK=BLACK BU=BLUE  
BN=BROWN GY=GRAY GN=GREEN  
OR=ORANGE RD=RED YW=YELLOW

COLORS AVAILABLE ONLY IN 94V-2 MATERIAL

MATERIAL: BLANK=NYLON TYPE 6/6, 94V-2 COLOR:NATURAL  
A=NYLON TYPE 6/6, 94V-0 COLOR:WHITE



RECOMMENDED HOLE CUTOUT



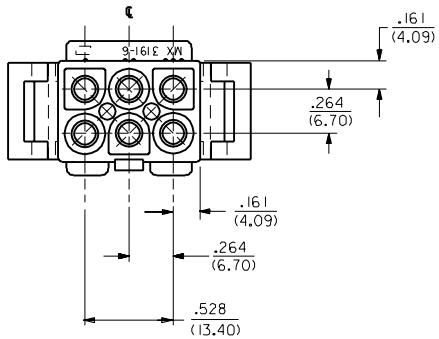
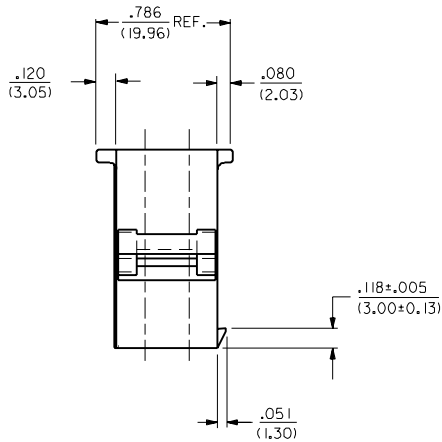
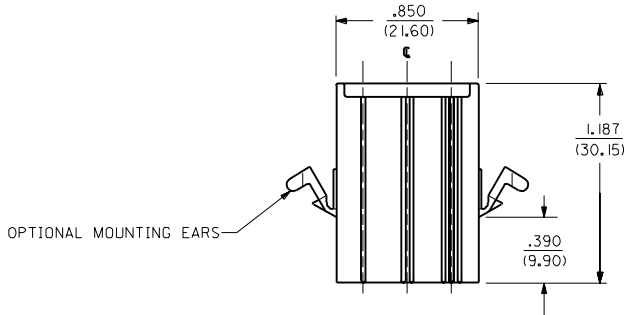
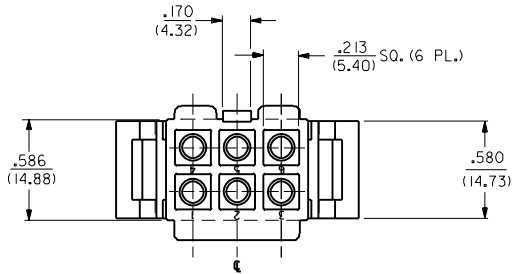
DETAIL "A"  
.093/(2.36) PREBENT MOUNTING EAR  
(SCALE 4:1)

J  
I  
H  
G  
F  
E  
D  
C  
B  
A

J  
I  
H  
G  
F  
E  
D  
C  
B  
A

EC NO. LCR1998-0254 DRAWN BY J.WANG 000607 CHKD BY B.WIRKUS 000607 APPRD BY R.EDGLEY 000607	QUALITY SYMBOLS MAJOR $\nabla=0$ CRITICAL $\nabla C=0$	GENERAL TOLERANCES: (UNLESS SPECIFIED)		SCALE 2:1	DESIGN UNITS <input type="checkbox"/> mm <input checked="" type="checkbox"/> INCH	THIRD ANGLE PROJECTION	DIMENSIONS: <input type="checkbox"/> mm <input checked="" type="checkbox"/> INCH <input type="checkbox"/> mm ONLY	SHT	REV										
		4 PLACES $\pm 0.005$	3 PLACES $\pm 0.010$	2 PLACES $\pm 0.025$	1 PLACE $\pm 0.038$	ANGULAR: $\pm 1^\circ$	DRAFT WHERE APPLICABLE MUST REMAIN WITHIN DIMENSIONS	DRAWN BY & DATE J.WANG 98/08/18		CHECKED BY & DATE B.WIRKUS 98/08/18		APPROVED BY & DATE R.EDGLEY 98/08/18		TITLE: .093/(2.36) HOUSINGS PLUG AND RECEPTACLE 4-CKTS, .264/(6.70) CTRS		MATERIAL NO. SEE SHT.3		DRAWING NO. SD -3191-4*	
J3	REV	CAD FILENAME S3191403.DGN		MATERIAL NO. SEE SHT.3		DRAWING NO. SD -3191-4*		SHEET NO. 3		SIZE C		THIS DRAWING CONTAINS INFORMATION THAT IS PROPRIETARY TO MOLEX INCORPORATED AND SHOULD NOT BE USED WITHOUT WRITTEN PERMISSION.							

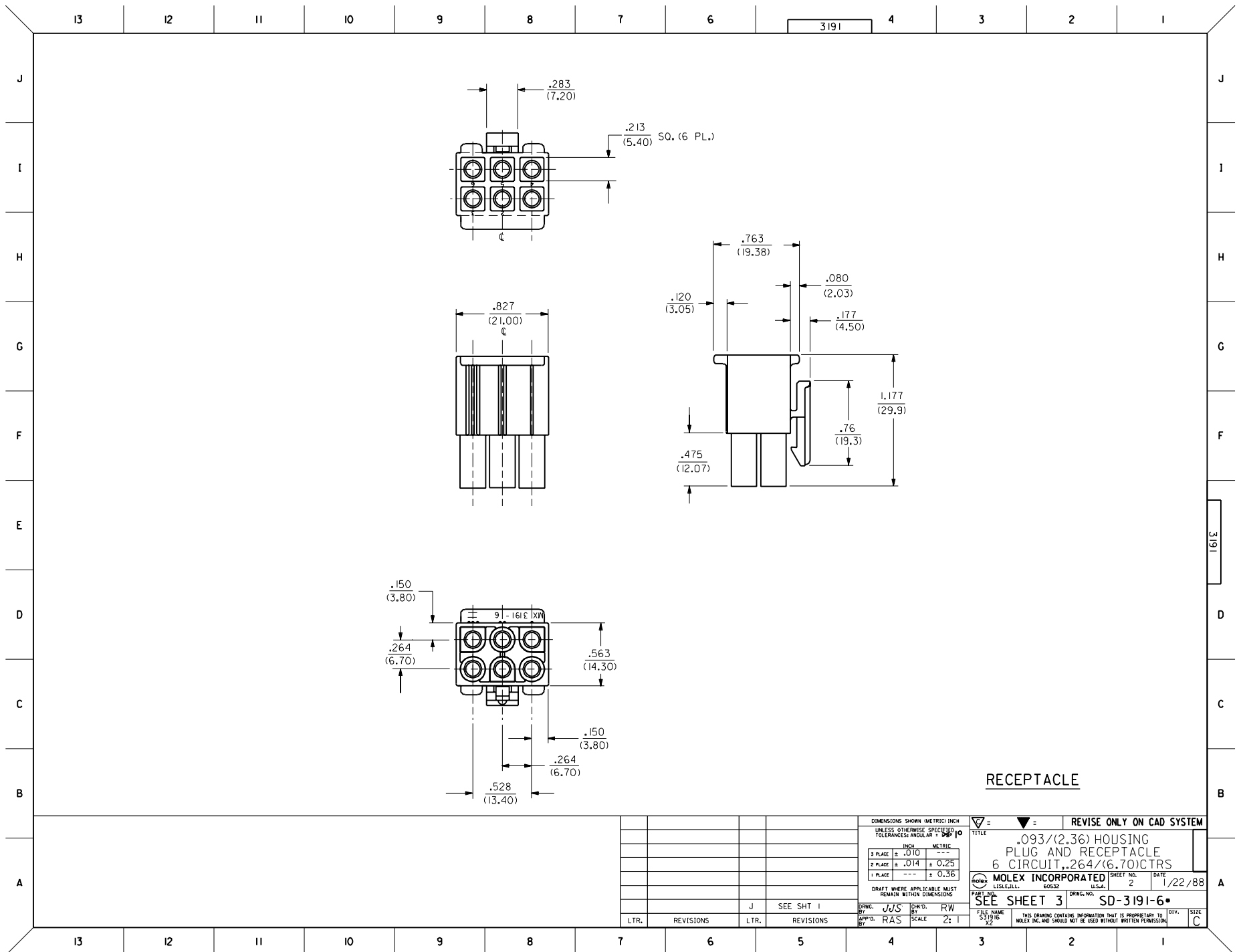
LBORD.DGN REV A 96/06/12 LEVEL 5 12 11 10 9 8 7 6 5 4 3 2 1



PLUG

MI	ADD RAMP LENGTH ECN #U4 0293 3-1-94 RW
M	REVISED PER ECR # U90659 KBW 07-25-89 RW
L	ADDED STANDOFFS PER ECR UB 2271 GEP 11-30-88 RW
K	REV. & FINAL REL. ECR UB 1710 GEP 7-14-88 RW
J	REVISED & REDRAWN PER ECR UB 0122 2-2-88 SCHAFFER
MFG.	SH. REV. LTR. REVISIONS

DIMENSIONS SHOWN METRIC (INCH)		▽ = 0	▼ = 0	REVISE ONLY ON CAD SYSTEM
UNLESS OTHERWISE SPECIFIED TOLERANCES ANGULAR ± 0° 10'		TITLE		
INCH METRIC		.093/(2.36) HOUSING PLUG AND RECEPTACLE 6 CKT. .264/(6.70) CTRS.		
3 PLACE ± .010	---	MOLEX INCORPORATED SHEET NO. DATE L15LEJLL. 60532 U.S.A. 1 OF 3 1/25/88		
2 PLACE ± .014	± 0.25	PART NO. DRWG. NO.		
1 PLACE --- ± 0.36	---	SEE CHART SD-3191-6*		
DRAFT WHERE APPLICABLE MUST REMAIN WITHIN DIMENSIONS		APP'D. BY: JUS DRW'D. BY: RW SCALE: 2 : 1 FILE NAME: S31916.X1 APP'D. RAS		
THIS DRAWING CONTAINS INFORMATION THAT IS PROPRIETARY TO MOLEX INC. AND SHOULD NOT BE USED WITHOUT WRITTEN PERMISSION.		SIZE: CP C		



RECEPTACLE

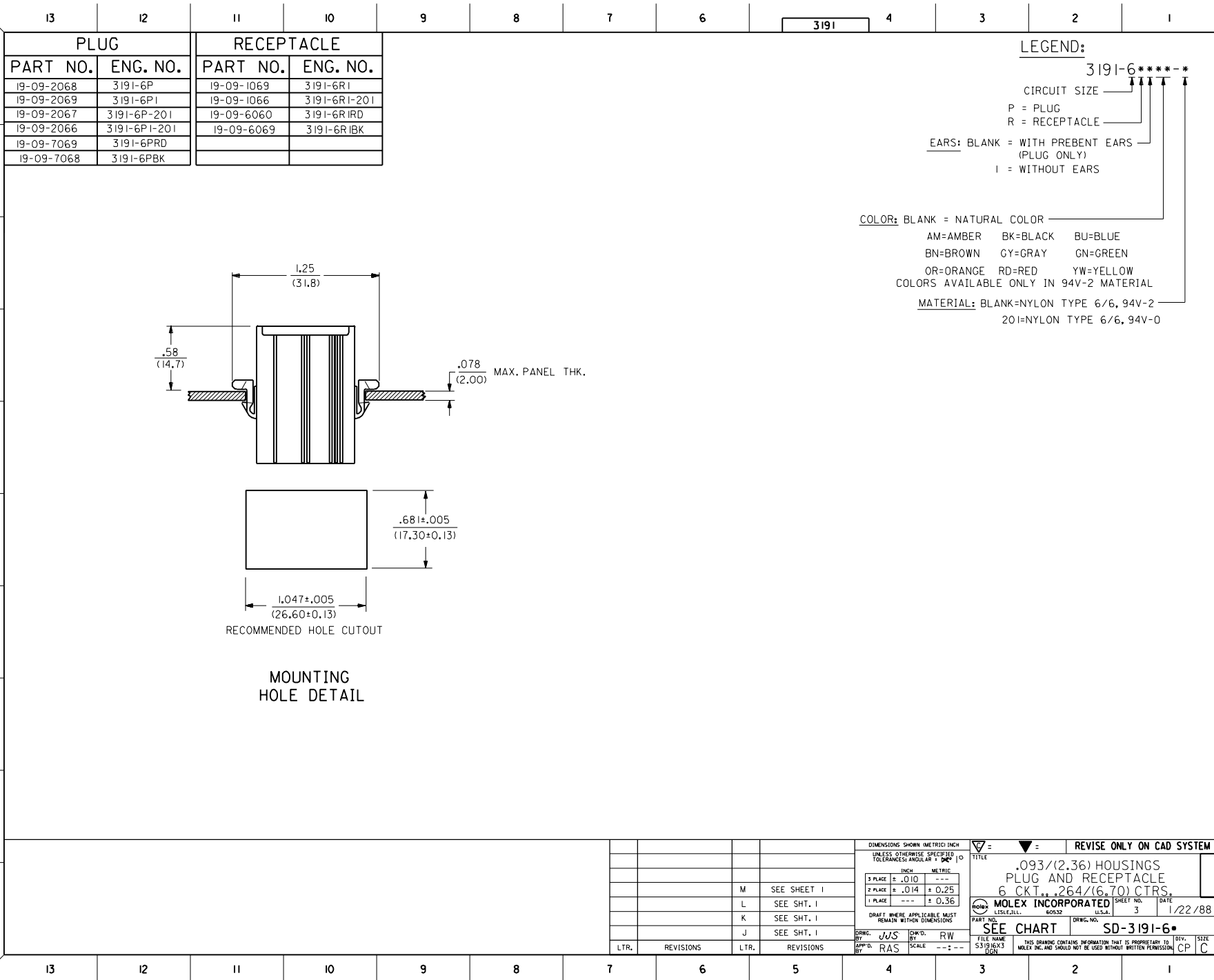
DIMENSIONS SHOWN (METRIC) INCH  
UNLESS OTHERWISE SPECIFIED  
TOLERANCES ANGLES ARE IN MILLIMETERS

	INCH	METRIC
3 PLACE	$\pm .010$	---
2 PLACE	$\pm .014$	$\pm 0.25$
1 PLACE	---	$\pm 0.36$

DRAFT WHERE APPLICABLE MUST REMAIN WITHIN DIMENSIONS

REVISIONS		REVISE ONLY ON CAD SYSTEM	
TITLE .093/(2.36) HOUSING PLUG AND RECEPTACLE 6 CIRCUIT, .264/(6.70) CTRS			
PART NO. SEE SHEET 3		DATE 1/22/88	
DRAWING NO. SD-3191-6*		SHEET NO. 2	
FILE NAME S31916		THIS DRAWING CONTAINS INFORMATION THAT IS PROPRIETARY TO MOLEX INC. AND SHOULD NOT BE USED WITHOUT WRITTEN PERMISSION	
SCALE 2:1		DYN. SIZE C	

DRWG. BY JUS	CHK'D. BY RW
APP'D. BY RAS	SCALE 2:1
LTR.	REVISIONS
LTR.	REVISIONS
J	SEE SHT 1



DIMENSIONS SHOWN (METRIC) INCH		UNLESS OTHERWISE SPECIFIED TOLERANCES ANGLES ARE ± DPM		REVISIONS ONLY ON CAD SYSTEM	
3 PLACE	± .010	---		TITLE	
2 PLACE	± .014	± 0.25		.093/(2.36) HOUSINGS PLUG AND RECEPTACLE 6 CKT., .264/(6.70) CTRS.	
1 PLACE	---	± 0.36		MOLEX INCORPORATED LITTLE ROCK, AR 60532 U.S.A.	
DRAFT WHERE APPLICABLE MUST REMAIN WITHIN DIMENSIONS				SHEET NO. 3 DATE 1/22/88	
DRWG. BY JUS		CHK'D. BY RW		PART NO. SD-3191-6*	
APP'D. BY RAS		SCALE --:--		SEE CHART	
LTR. REVISIONS		LTR. REVISIONS		THIS DRAWING CONTAINS INFORMATION THAT IS PROPRIETARY TO MOLEX INC. AND SHOULD NOT BE USED WITHOUT WRITTEN PERMISSION	