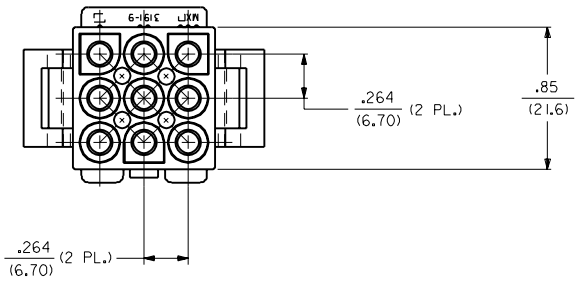


PLUG



J1	ADD RAMP DIM'S ECN #U4 0293 3-1-94 RW
J2	REV. AND REDRAWN ECN #U03592 GEP 8-2-89 RW
J1	
MFG. SH. REV.	LTR. REVISIONS

DIMENSIONS SHOWN METRIC (INCH)		UNLESS OTHERWISE SPECIFIED TOLERANCES: ANGULAR ± .005°	
3 PLACE	± .010	---	---
2 PLACE	± .014	± 0.25	---
1 PLACE	---	± 0.35	---
DRAFT WHERE APPLICABLE MUST REMAIN WITHIN DIMENSIONS			
DRWG. BY: CEP	CHKD. BY: RW	FILE NAME: S31919X1.DWG	APP'D. BY: RAS
SCALE: 2:1		SHEET NO. 1 OF 3	
DATE: 8/2/89		U.S.A.	
PART NO. SEE CHART		DRWG. NO. SD-3191-9*	
MOLEX INCORPORATED			
LITLÉ, ILL. 60532			

PLUG	
PART NO.	ENG. NO.
19-09-2098	3191-9P
19-09-2099	3191-9P1
19-09-2097	3191-9P-201
19-09-2096	3191-9P1-201

RECEPTACLE	
PART NO.	ENG. NO.
19-09-1099	3191-9R1
19-09-1096	3191-9R1-201

LEGEND:

3191-9****-*

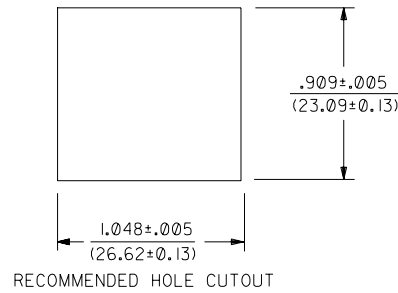
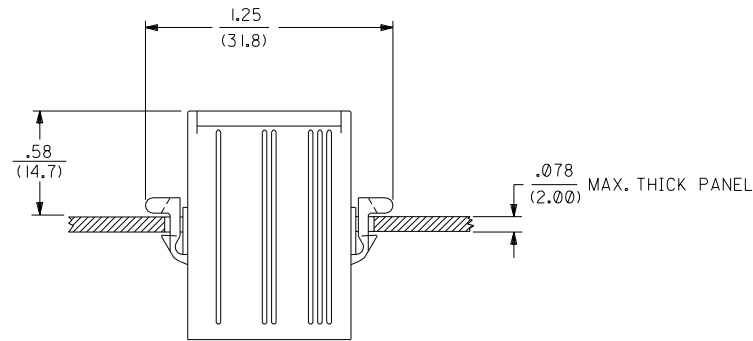
CIRCUIT SIZE

P = PLUG
R = RECEPTACLE

EARS: BLANK = WITH PREBENT EARS (PLUG ONLY)
I = WITHOUT EARS

COLOR: BLANK = NATURAL COLOR

AM=AMBER BK=BLACK BU=BLUE
BN=BROWN GY=GRAY GN=GREEN
OR=ORANGE RD=RED YW=YELLOW
COLORS AVAILABLE ONLY IN 94V-2 MATERIAL
MATERIAL: BLANK=NYLON TYPE 6/6, 94V-2
201=NYLON TYPE 6/6, 94V-0



NOTES:

I. THESE HOUSINGS FOR USE WITH MOLEX .093/(2.36) DIAMETER SERIES TERMINALS.

DIMENSIONS SHOWN (METRIC) INCH	
UNLESS OTHERWISE SPECIFIED TOLERANCES: ANGULAR ± .04° 0	
3 PLACE	± .010
2 PLACE	± .014 ± 0.25
1 PLACE	--- ± 0.35
DRAFT WHERE APPLICABLE MUST REMAIN WITHIN DIMENSIONS	
DRWG. BY	GEP
CHK'D. BY	RW
APP'D. BY	RAS
SCALE	--:--

REVISIONS	J	SEE SHT. I
REVISIONS	LTR.	REVISIONS
TITLE		REVISE ONLY ON CAD SYSTEM
.093/(2.36) HOUSINGS PLUG AND RECEPTACLE 9 CKT., .264/(6.70) CTRS.		
MOLEX INCORPORATED	SHEET NO. 3	DATE 8/ 2/89
LITSL,ILL. 60532 U.S.A.		
PART NO.	SEE CHART	DRWG. NO. SD-3191-9*
FILE NAME S31919K3.DGN		THIS DRAWING CONTAINS INFORMATION THAT IS PROPRIETARY TO MOLEX INC. AND SHOULD NOT BE USED WITHOUT WRITTEN PERMISSION

3191

NO P.S. 1