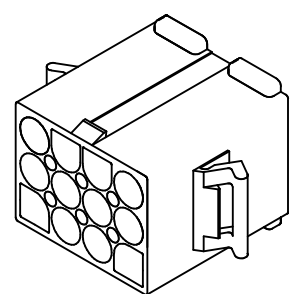
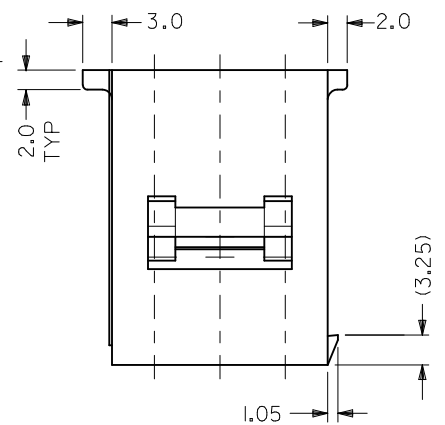
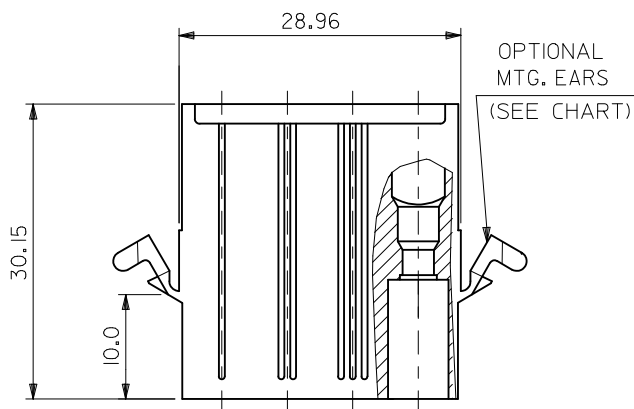
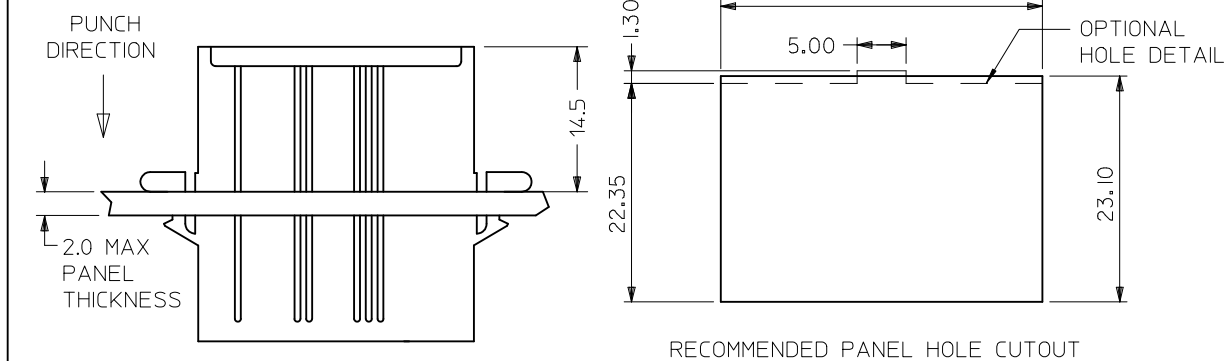
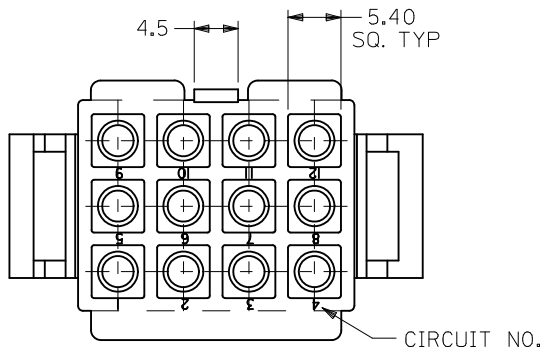
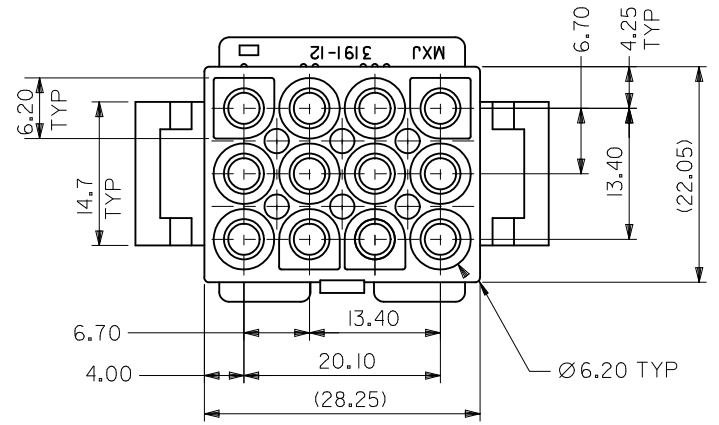


10 9 8 7 6 5 4 3 2 1



- NOTES:
1. MATERIAL: SEE TABLE
 2. FINISH: NONE
 3. PRODUCT SPECIFICATION: PS-02-09
 4. PACKAGING SPECIFICATION: PK-3191-001
 5. PARTS CONFORM TO MOLEX COSMETIC SPECIFICATION PS-45499-002 CLASS B
 6. DIMENSIONS IN () ARE REFERENCE
 7. HOUSING FOR USE WITH 2.36/0.093 DIA. MALE TERMINALS.



| | | | | | |
|------------|---------------|----------|-------|---------|-----------|
| 19-09-2126 | 3191-12PI-201 | NYLON66 | 94V-0 | NATURAL | NO |
| 19-09-2127 | 3191-12P-201 | NYLON66 | 94V-0 | NATURAL | YES |
| 19-09-2128 | 3191-12P | NYLON66 | 94V-2 | NATURAL | YES |
| 19-09-2129 | 3191-12PI | NYLON66 | 94V-2 | NATURAL | NO |
| EDP. NO. | ENG. NO. | MATERIAL | UL | COLOR | MTG. EARS |

| | | | | | | | | | |
|--|---|--|--------|-----------------------------------|-------------|--------------|--|------------------------|--|
| REDRAWN EC NO: UCP2011-1032 TDRWN: JBINGHAM 2010/10/12 CHKD: MKIPPER 2010/10/12 APPR: FSMITH 2010/11/09 | QUALITY SYMBOLS ▽E/0 ▽E/0 ▽E/0 | GENERAL TOLERANCES (UNLESS SPECIFIED) | | DIMENSION STYLE MM ONLY | | SCALE --- | DESIGN UNITS METRIC | THIRD ANGLE PROJECTION | |
| | | 4 PLACES | ± --- | ± --- | DRAWN BY | DATE | TITLE 12-CIRCUIT PLUG HOUSING (0.093 DIA. TERMINAL) SALES DRAWING MOLEX MOLEX INCORPORATED DOCUMENT NO. SD-3191-12P*-* SHEET NO. 1 OF 1 | | |
| | | 3 PLACES | ± --- | ± --- | CHECKED BY | DATE | | | |
| | | 2 PLACES | ± 0.25 | ± --- | APPROVED BY | DATE | | | |
| 1 PLACE | ± 0.35 | ± --- | DATE | 2010/11/09 | | | | | |
| ANGULAR ± ---° | | DRAFT WHERE APPLICABLE MUST REMAIN WITHIN DIMENSIONS | | MATERIAL NO. SEE CHART | | | | | |

9 8 7 6 5 4 3 2 1