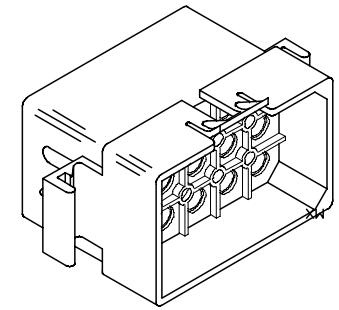
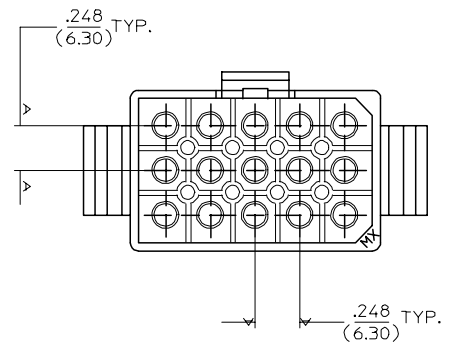
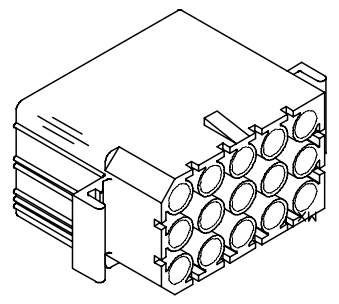
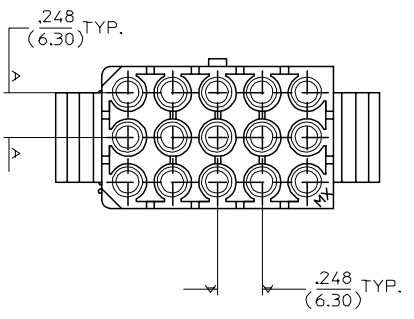
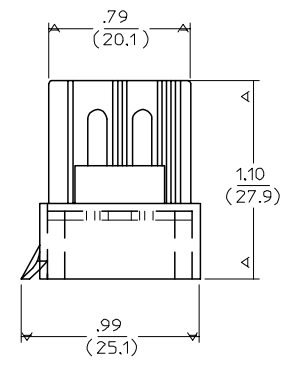
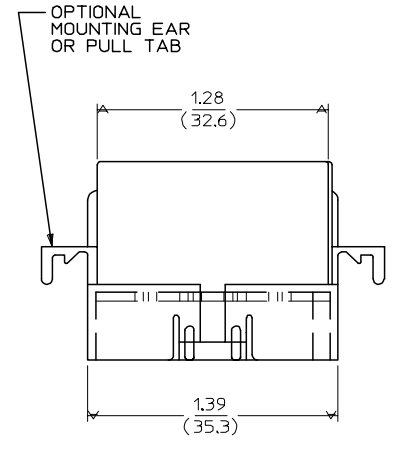
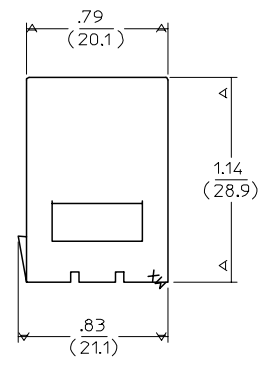
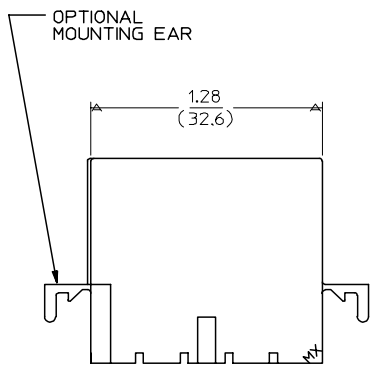
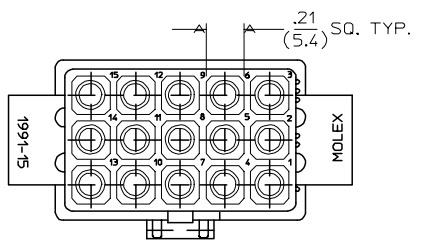
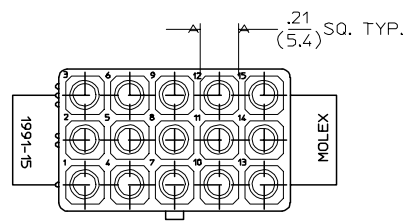


13 12 11 10 9 8 7 6 5 4 3 2 1

RECEPTACLE

PLUG



|           |   |
|-----------|---|
| 2         | 1 |
| 1         | 1 |
| SHT. REV. |   |

| <b>UPDATE TITLE BLOCK</b><br>FC NO: UCP2007-1498<br>DRW: AELHAG 2007/04/04<br>CHKD: AELHAG 2007/04/04<br>APPR: FSM TH 2007/04/04<br>REVISIONS<br>DESCRIPTION | <b>QUALITY SYMBOLS</b><br>= 0<br>= 0 | <b>GENERAL TOLERANCES (UNLESS SPECIFIED)</b><br><table border="1"> <tr> <th></th> <th>mm</th> <th>INCH</th> </tr> <tr> <td>4 PLACES</td> <td>± .10</td> <td>± .004</td> </tr> <tr> <td>3 PLACES</td> <td>± .05</td> <td>± .002</td> </tr> <tr> <td>2 PLACES</td> <td>± 0.25</td> <td>± .010</td> </tr> <tr> <td>1 PLACE</td> <td>± 0.35</td> <td>± .014</td> </tr> </table> ANGULAR ±1/2° |           | mm                           | INCH                | 4 PLACES | ± .10 | ± .004 | 3 PLACES | ± .05 | ± .002 | 2 PLACES | ± 0.25 | ± .010 | 1 PLACE | ± 0.35 | ± .014 | <b>DIMENSION STYLE</b><br>IN/MM | DRAWN BY: KBW<br>CHECKED BY: RW<br>APPROVED BY: RAS<br>MATERIAL NO.:<br>DATE: 1989/04/25 | SCALE: 2:1<br>DESIGN UNITS: INCH<br>THIRD ANGLE PROJECTION | TITLE:<br>.093/(2.36) HOUSINGS,<br>PLUG AND RECEPTACLE,<br>15 CKT .248/(6.30) CTRS. |
|--|--------------------------------------|---|-----------|------------------------------|---------------------|----------|-------|--------|----------|-------|--------|----------|--------|--------|---------|--------|--------|---------------------------------|--|--|---|
|  |                                      | mm  | INCH      |                              |                     |          |       |        |          |       |        |          |        |        |         |        |        |                                 |  |  |   |
|  | 4 PLACES                             | ± .10   | ± .004    |                              |                     |          |       |        |          |       |        |          |        |        |         |        |        |                                 |  |  |   |
|  | 3 PLACES                             | ± .05   | ± .002    |                              |                     |          |       |        |          |       |        |          |        |        |         |        |        |                                 |  |  |   |
| 2 PLACES   | ± 0.25                               | ± .010  |           |                              |                     |          |       |        |          |       |        |          |        |        |         |        |        |                                 |  |  |   |
| 1 PLACE  | ± 0.35                               | ± .014  |           |                              |                     |          |       |        |          |       |        |          |        |        |         |        |        |                                 |  |  |   |
| DRAFT WHERE APPLICABLE<br>MUST REMAIN<br>WITHIN DIMENSIONS   |                                      |   | SEE CHART | MOLEX INCORPORATED           | SHEET NO.<br>1 OF 2 |          |       |        |          |       |        |          |        |        |         |        |        |                                 |  |  |   |
| THIS DRAWING CONTAINS INFORMATION THAT IS PROPRIETARY TO MOLEX<br>INCORPORATED AND SHOULD NOT BE USED WITHOUT WRITTEN PERMISSION                             |                                      |   | SIZE: C   | DOCUMENT NO.:<br>SD-1991-15* | MOLEX               |          |       |        |          |       |        |          |        |        |         |        |        |                                 |  |  |   |

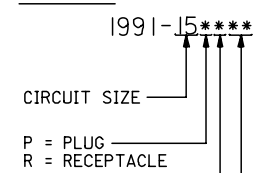
12 11 10 9 8 7 6 5 4 3 2 1

13 12 11 10 9 8 7 6 5 4 3 2 1

| PLUG       |            |                  |
|------------|------------|------------------|
| ORDER NO   | ENG NO     | PKG. INFORMATION |
| 19-09-2151 | 1991-15P   | PK-1991-002      |
| 19-09-2153 | 1991-15P2  | PK-1991-002      |
| 19-09-7151 | 1991-15PBK | PK-1991-001      |
| -          | -          | -                |
| -          | -          | -                |

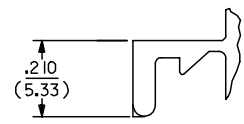
| RECEPTACLE |             |                  |
|------------|-------------|------------------|
| ORDER NO   | ENG NO      | PKG. INFORMATION |
| 19-09-1151 | 1991-15R2   | PK-1991-002      |
| 19-09-1152 | 1991-15R1   | PK-1991-002      |
| 19-09-6151 | 1991-15R2BK | PK-1991-001      |
| 19-09-6152 | 1991-15R1BK | PK-1991-001      |
| -          | -           | -                |
| -          | -           | -                |

**LEGEND:**

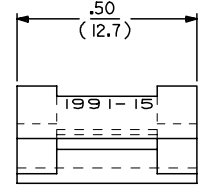
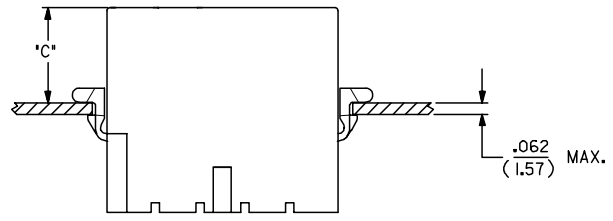


BLANK = WITH PULL TABS  
 1 = WITHOUT EARS/WITHOUT PULL TABS  
 2 = WITH STANDARD EARS  
 3 = WITH PREBENT EARS

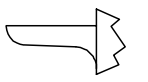
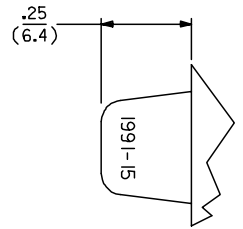
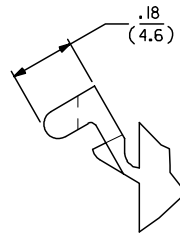
COLOR:  
 BLANK = NATURAL COLOR  
 AM = AMBER BK = BLACK BU = BLUE  
 BN = BROWN GY = GRAY GN = GREEN  
 OR = ORANGE RD = RED YW = YELLOW



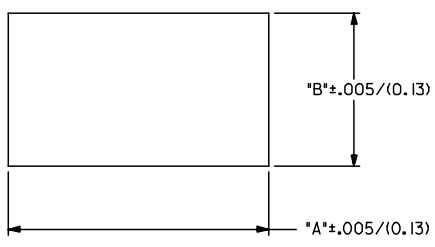
**DETAIL A**  
STANDARD MOUNTING EAR  
(SCALE 4:1)



**DETAIL B**  
PREBENT MOUNTING EAR  
(SCALE 4:1)



**DETAIL C**  
PULL TAB  
(SCALE 4:1)



RECOMMENDED PANEL OPENING

| HOUSING | DIM. "A"      | DIM. "B"     | "C" PREBENT EAR | "C" STANDARD EAR |
|---------|---------------|--------------|-----------------|------------------|
| PLUG    | 1.552/(39.42) | .910/(23.11) | .31/(7.9)       | .30/(7.6)        |
| RECEPT. | 1.442/(36.63) | .850/(21.60) | .54/(13.7)      | .53/(13.5)       |

**NOTES:**

- MATERIAL: NYLON TYPE 6/6, 94V-2.
- FINISH: N/A
- PRODUCT SPECIFICATION: PS-02-09
- PACKAGING SPECIFICATION: SEE CHART
- HOUSINGS FOR USE WITH MOLEX STANDARD .093/(2.36) TYPE TERMINALS
- PARTS CONFORM TO CLASS B REQUIREMENTS OF COSMETIC SPECIFICATION PS-45499-002.

|   |   |   |                 |                             |                    |                        |
|---|---|---|-----------------|-----------------------------|--------------------|------------------------|
| ADD NOTES 2,4 & 6<br>EC NO: UCP2007-1498<br>DRW: AELHAG 2007/04/04<br>CHKD: AELHAG 2007/04/04<br>APPR: FSM TH 2007/04/04<br>REVISIONS | QUALITY SYMBOLS   | GENERAL TOLERANCES (UNLESS SPECIFIED)   | DIMENSION STYLE | SCALE                       | DESIGN UNITS       | THIRD ANGLE PROJECTION |
|   | $\nabla=0$<br>$\nabla=0$  | mm INCH<br>4 PLACES ± --- ± ---<br>3 PLACES ± --- ± .010<br>2 PLACES ± 0.25 ± .014<br>1 PLACE ± 0.35 ± ---<br>ANGULAR ±1/2° | IN/MM           | 2:1                         | INCH               |                        |
|   | DRAWN BY DATE<br>KBW 1989/04/25<br>CHECKED BY DATE<br>RW 1989/04/25<br>APPROVED BY DATE<br>RAS 1989/04/25 | TITLE<br>.093/(2.36) HOUSINGS,<br>PLUG AND RECEPTACLE<br>15 CKT .248/(6.30) CTRS.   |                 | MATERIAL NO.<br>SD-1991-15* |                    | SHEET NO.<br>2 OF 2    |
|   | DRAFT WHERE APPLICABLE<br>MUST REMAIN<br>WITHIN DIMENSIONS  |   | SEE CHART       |                             | MOLEX INCORPORATED |                        |

12 11 10 9 8 7 6 5 4 3 2 1