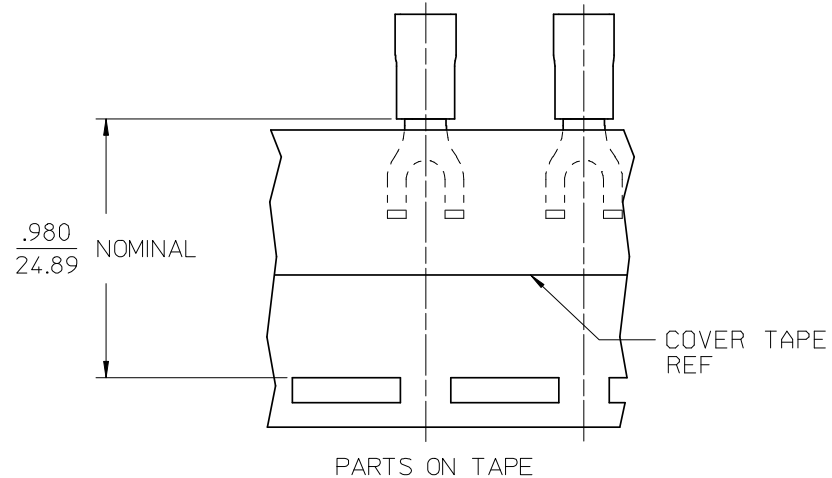
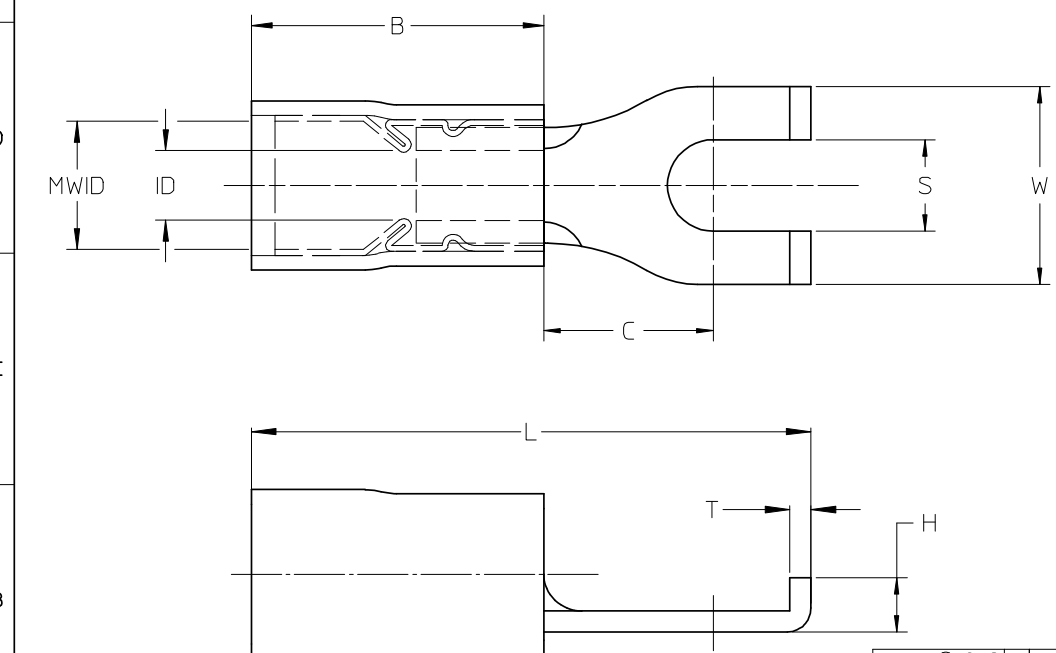


LOOSE PIECE		TAPE MOUNTED		DIMENSIONS										FINISH
MATERIAL NUMBER	ENGINEERING NUMBER	MATERIAL NUMBER	ENGINEERING NUMBER	STUD SIZE	S ±.005	W MAX	C MIN	ID MIN	MWID	B REF	L MAX	H REF	T REF	INSULATION COLOR
191270007	AA-815-06	191270009	AA-815-06T	6	.146/3.71	.301/7.6	.207/5.3	.054/1.37	.138/3.51	.400/10.16	.781/19.84	.08/2.0	.031/0.79	RED
191270010	AA-815-08	191270011	AA-815-08T	8	.173/4.39	.301/7.6	.207/5.3	.054/1.37	.138/3.51	.400/10.16	.781/19.84	.08/2.0	.031/0.79	RED
191270012	AA-815-10	191270013	AA-815-10T	10	.198/5.03	.301/7.6	.207/5.3	.054/1.37	.138/3.51	.400/10.16	.781/19.84	.08/2.0	.031/0.79	RED
191270039	BB-816-06	191270041	BB-816-06T	6	.146/3.71	.301/7.6	.209/5.3	.081/2.06	.165/4.19	.400/10.16	.810/20.32	.08/2.0	.031/0.79	BLUE
191270042	BB-816-08	191270044	BB-816-08T	8	.173/4.39	.301/7.6	.209/5.3	.081/2.06	.165/4.19	.400/10.16	.810/20.32	.08/2.0	.031/0.79	BLUE
191270099	BB-816-10	191270045	BB-816-10T	10	.198/5.03	.301/7.6	.209/5.3	.081/2.06	.165/4.19	.400/10.16	.810/20.32	.08/2.0	.031/0.79	BLUE
191270083	C-817-06	191270084	C-817-06T	6	.146/3.71	.345/8.8 (A)	.270/6.85 (A)	.128/3.25	.225/5.71	.560/14.22	1.026/26.1 (A)	.10/2.5	.040/1.02	YELLOW
191270086	C-817-08	191270087	C-817-08T	8	.173/4.39	.385/9.8	.270/6.85 (A)	.128/3.25	.225/5.71	.560/14.22	1.026/26.1 (A)	.10/2.5	.040/1.02	YELLOW
191270089	C-817-10	191270090	C-817-10T	10	.209/5.3 (A)	.385/9.8	.270/6.85 (A)	.128/3.25	.225/5.71	.560/14.22	1.026/26.1 (A)	.10/2.5	.040/1.02	YELLOW



SALES DRAWING

- NOTES:
1. MATERIAL: COPPER
  2. PLATING: ELECTRO-TIN
  3. MWID = MAXIMUM WIRE INSULATION DIAMETER
  4. PART IS RoHS COMPLIANT

12-10 TO ALT DIE DIMS EC NO: ETC2008-0012 DRWN: RSTONE 2007/11/26 CHKD: MACNEIL 2007/11/26 APPR: MACNEIL 2007/12/05	QUALITY SYMBOLS	GENERAL TOLERANCES (UNLESS SPECIFIED)		DIMENSION STYLE		SCALE	DESIGN UNITS	THIRD ANGLE PROJECTION		
	▽=0 ∇=0	mm	INCH	IN/MM		4:1	INCH			
		4 PLACES ±---	±---	DRAWN BY		DATE	TITLE FLANGED SPADE TERMINAL, AVIKRIMP -800 SERIES			
		3 PLACES ±---	±.005	DLM		2003/08/25				
	2 PLACES ±0.13	±.01	CHECKED BY		DATE	MOLEX INCORPORATED				
	1 PLACE ±0.25	±---	HEB		2003/08/25					
	ANGULAR ±1/2°		APPROVED BY		DATE	DOCUMENT NO. SD-19127-003 SHEET NO. 1 OF 1				
	DRAFT WHERE APPLICABLE MUST REMAIN WITHIN DIMENSIONS		RWD		2003/08/25					
			MATERIAL NO.		SEE CHART					
			SIZE		THIS DRAWING CONTAINS INFORMATION THAT IS PROPRIETARY TO MOLEX INCORPORATED AND SHOULD NOT BE USED WITHOUT WRITTEN PERMISSION					