

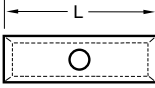
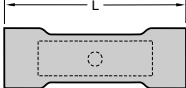
Distributed by:

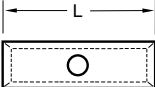
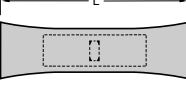
JAMECO[®]
ELECTRONICS

www.Jameco.com ♦ 1-800-831-4242

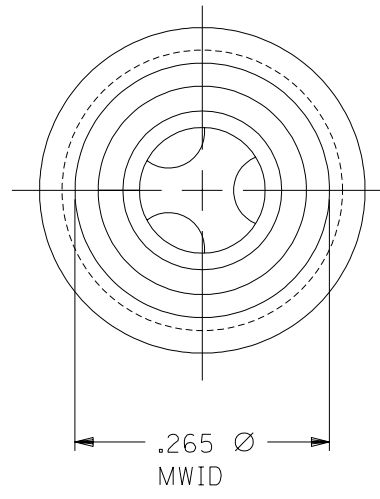
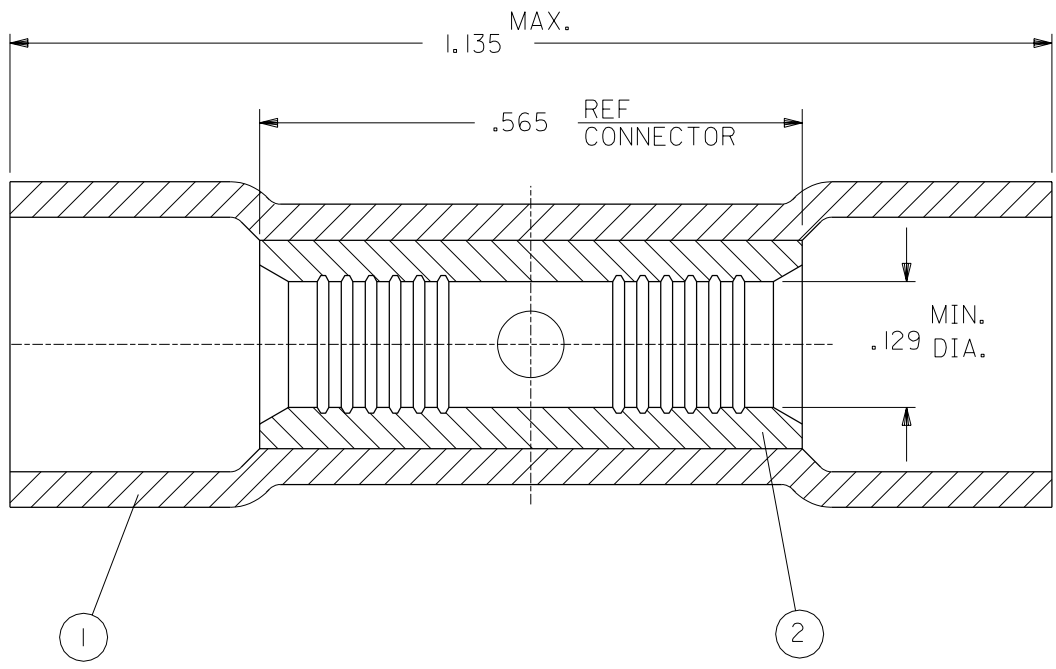
The content and copyrights of the attached
material are the property of its owner.

Jameco Part Number 795000

								
Material:						Insulkrimp®		
Copper						(PVC Insulation)		
Wire Range AWG	Loose Piece Order No.	Mylar Tape Order No.	ID	OD	Maximum Length	Loose Piece Order No.	Mylar Tape Order No.	Maximum Length
18-22 (0.80-0.35)	19189-0002	19189-0004	1.40 (.056)	3.40 (.135)	14.70 (.580)	19154-0004	19154-0006	24.40 (.960)
						19154-0011*	19154-0012*	26.30 (1.035)
14-16 (2.00-1.30)	19189-0008	19189-0010	2.10 (.083)	4.10 (.160)	14.70 (.580)	19154-0015	19154-0017	24.80 (.975)
						19154-0023*	19154-0024*	27.40 (1.080)
10-12 (5.00-3.30)	19189-0015	19189-0017	3.30 (.129)	5.60 (.220)	14.90 (.585)	19154-0028	19154-0030	28.80 (1.135)
						19154-0037*	19154-0038*	33.10 (1.305)

								
Material:						Nylakrimp®		
Copper						(Nylon Insulation)		
Wire Range AWG	Loose Piece Order No.	Mylar Tape Order No.	ID	OD	Maximum Length	Loose Piece Order No.	Mylar Tape Order No.	Maximum Length
18-22 (0.80-0.35)	19215-0009*	19215-0011*	1.50 (.059)	3.30 (.130)	17.10 (.675)	19202-0013*	19202-0016*	26.30 (1.035)
14-16 (2.00-1.30)	19215-0018*	19215-0115*	2.30 (.091)	4.10 (.160)	17.10 (.675)	19202-0031*	19202-0035*	27.40 (1.080)
10-12 (5.00-3.30)	19215-0028*	19215-0030*	3.50 (.138)	5.70 (.223)	21.00 (.827)	19202-0049*	19202-0051*	33.00 (1.300)

* Part has seamless barrel instead of butted seam.



- NOTES:
 1. COLOR CODED INSULATION, YELLOW, PVC
 2. CONNECTOR MATERIAL: COPPER
 3. CONNECTOR PLATING: TIN

MWID = MAX. WIRE INSULATION DIA.

LTR.	REVISIONS

DIMENSIONS SHOWN (METRIC) INCH	
UNLESS OTHERWISE SPECIFIED TOLERANCES: ANGULAR ± 1/2°	
	INCH METRIC
3 PLACE	± ±
2 PLACE	± ±
1 PLACE	± ±
DRAFT WHERE APPLICABLE MUST REMAIN WITHIN DIMENSIONS	
DRWG. BY EMF	CHK'D. BY JM
APP'D. BY FP	SCALE NO: NE

REVISE ONLY ON CAD SYSTEM			
TITLE BUTT SPLICE CONNECTOR INSULKRIMP 12-10 AWG.			
molex ETC INC. PINELLAS PARK, FLA. 33781 U.S.A.		SHEET NO. 1 OF 1	DATE 11/16/93
PART NO. C-246X		DRWG. NO. 60404-02C	
FILE NAME 6040402C	THIS DRAWING CONTAINS INFORMATION THAT IS PROPRIETARY TO MOLEX-ETC INC. AND SHOULD NOT BE USED WITHOUT WRITTEN PERMISSION.		DIV. SIZE A