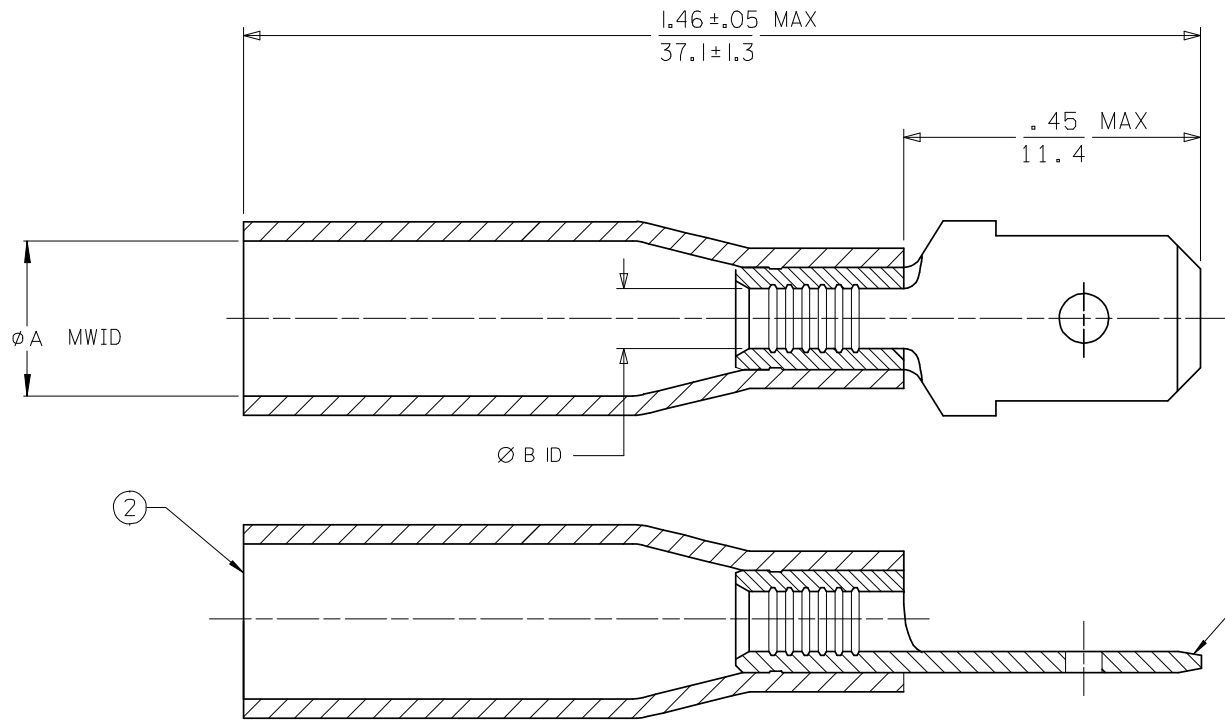


MATERIAL NO.	ENGINEERING NO.	φA MWID	φB ID	TERMINAL MATERIAL	TERMINAL FINISH
191640019	SAMCT-2	.185/4.70 (D)	.054/1.37 (D)	BRASS, .031/0.79 THK REF	ZINC CHROMATE
191640084	SMCT-2	.195/4.95 (D)	.082/2.08	BRASS, .031/0.79 THK REF	ZINC CHROMATE
191640078	SCMCT-2	.275/6.99 (D)	.144/3.65 (D)	BRASS, .031/0.79 THK REF	ZINC CHROMATE



NOTES:

1. TAB DIMENSIONS PER UL310 SPECIFICATIONS.
2. TAB MATERIAL: SEE CHART
FINISH: SEE CHART
3. INSULATION MATERIAL: HEAT SHRINKABLE TUBING WITH HOTMELT ADHESIVE INNER LINER,
4. MWID = MAXIMUM WIRE INSULATION DIAMETER.
5. PART IS ROHS COMPLAINT.

SALES DRAWING

CHANGED MATL & FINISH EC NO: ETC2007-0081 DRWN:EHILE 2008/01/28 CHKD:MACNEIL 2008/01/28 APPR:MACNEIL 2008/02/13	QUALITY SYMBOLS ▽=0 ▽=0	GENERAL TOLERANCES (UNLESS SPECIFIED)		DIMENSION STYLE IN/MM	SCALE ---	DESIGN UNITS INCH	THIRD ANGLE PROJECTION	
		4 PLACES ± --- ± ---	DRAWN BY JLOMASTRO	DATE 05/10/13	TITLE PERMA-SEAL QD MALE TERMINAL LONG BARREL			
		3 PLACES ± --- ± .005	CHECKED BY RDEROSS	DATE 05/10/13	MATERIAL NO. SEE CHART			
		2 PLACES ± 0.13 ± .010	APPROVED BY RDEROSS	DATE 05/10/13	DOCUMENT NO. SD-19164-049	SHEET NO. 1 OF 1		
1 PLACE ± 0.25 ± ---	ANGULAR ± --- °		THIS DRAWING CONTAINS INFORMATION THAT IS PROPRIETARY TO MOLEX INCORPORATED AND SHOULD NOT BE USED WITHOUT WRITTEN PERMISSION					
DRAFT WHERE APPLICABLE MUST REMAIN WITHIN DIMENSIONS								

Mouser Electronics

Authorized Distributor

Click to View Pricing, Inventory, Delivery & Lifecycle Information:

[Molex:](#)

[19164-0019](#) [19164-0078](#)