

Series image - Reference only

EU RoHS	China RoHS
ELV and RoHS Compliant	

### Search Parts in this Series

[19164 Series](#)

### Application Tooling

#### Global

Description	Product #
Hand Crimp Tool	<a href="#">0640014500</a>
Hand Crimp Tool	<a href="#">0640014700</a>
Crimp Head for the AT-200™ Pneumatic Hand Tool	<a href="#">0640054500</a>
Crimp Head for the AT-200™ Pneumatic Hand Tool	<a href="#">0640054700</a>

**Part Number:** **0191640048**

**Status:** **Active**

**Description:** Perma-Seal™ Male Quick Disconnect Tab for 14-16 AWG Wire, Tab Size 6.35mm (.250") x .81mm (.032")

#### Documents:

- [Drawing \(PDF\)](#)
- [Product Literature \(PDF\)](#)
- [Related Catalog Page \(PDF\)](#)

#### Order Products:

- [Check Distributor Inventory](#)
- [Request Samples](#)

**Part Detail: [\(show all\)](#)**

○ **General**

○ **Physical**

○ **Electrical**

○ **Material Info**

**General**

Product Family	Quick Disconnects
Series	<u>19164</u>
Product Name	Perma-Seal™
Type	Quick Disconnect

**Physical**

Barrel Type	Closed
Color - Resin	Natural
Flammability	94 V0
Gender	Male
Insulation	NiAc(TM)
Lock to Mating Part	None
Material - Metal	Brass
Material - Plating Mating	Zinc Chromate
Material - Plating Termination	Zinc Chromate
Material - Resin	Nylon
Orientation	Straight
Packaging Type	Box
Plating min: Mating (uin)	200
Plating min: Mating (um)	5
Plating min: Termination (uin)	200
Plating min: Termination (um)	5
Tab Thickness	0.81mm (.032")
Tab Width	6.35mm (.250")
Temperature Range - Operating	-55°C to +125°C
Wire Insulation Diameter	4.32mm (.170") max.
Wire Size AWG	14
Wire Size AWG	16
Wire Size mm²	1.00 - 2.50

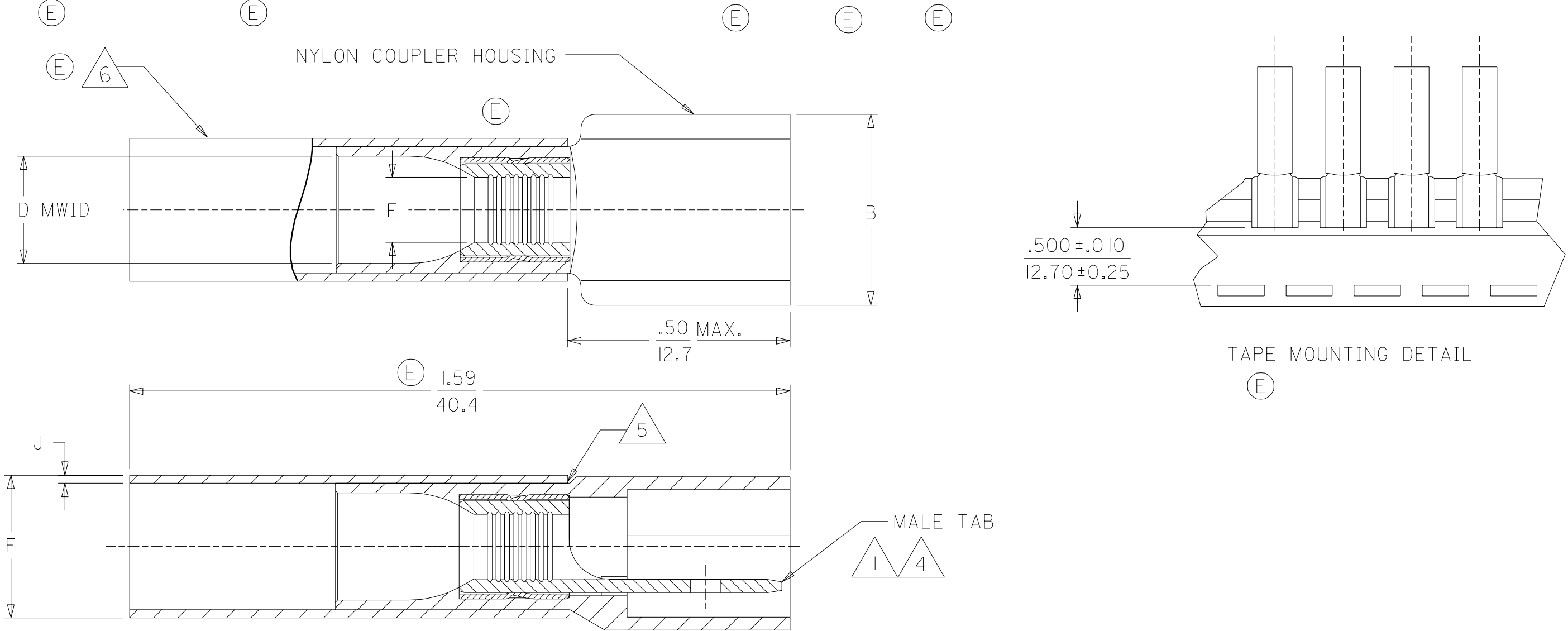
**Electrical**

CSA	LR18689
UL	E79133
Voltage - Maximum	600V

**Material Info**

Old Part Number	SBB-9262
-----------------	----------

MATERIAL NUMBER	ENG. NUMBER	TAPE MATERIAL NUMBER	TAPE ENG NUMBER	WIRE SIZE AWG	WIRE SIZE MM SQ.	NYLON COLOR	B MAX.	D MWID	E MIN. DIA.	F MAX. DIA.	(E) J
191640015	SAA-9260	191640016	SAA-9260T	22-18	.25-1.5	RED	.45/11.4	.15/3.8	.049/1.25	.29/7.4	.023/0.58
191640048	SBB-9262	191640049	SBB-9262T	16-14	1.0-2.5	BLUE	.45/11.4	.17/4.3	.082/2.08	.31/7.9	.029/0.74
191640075	SC-9280	N/A	N/A	12-10	4.0-6.0	YELLOW	.46/11.7	.23/5.8	.148/3.76	.39/9.9	.029/0.74



- NOTES:
- 1. MALE TAB CONFORMS TO NEMA.
  - 2. ALL DIMENSIONS SHOWN ARE BEFORE SHRINK TUBING IS HEATED.
  - 3. "MWID" DENOTES MAX. WIRE INSULATION DIA.
  - 4. TAB MATERIAL: COPPER, PLATING: TIN
  - 5. TUBING SHALL BE PINCHED CLOSED AS MUCH AS POSSIBLE AS SHOWN.
  - 6. NIAC HEAT SHRINKABLE TUBING WITH HOTMELT INNER LINER. SEE CHART FOR COLOR.

## SALES DRAWING

WAS 05234-00 EC NO. ETC2003-0102 DRWN: BRE 03/03/13 CHK: HEB 03/03/13 APPR: RWD 03/03/13	QUALITY SYMBOLS	GENERAL TOLERANCES: (UNLESS SPECIFIED)	SCALE NO: NE	DESIGN UNITS	THIRD ANGLE PROJECTION	DIMENSIONS:	SHT	REV
	MAJOR $\nabla=0$	mm INCH	NO: NE	<input type="checkbox"/> mm <input checked="" type="checkbox"/> INCH	<input type="checkbox"/> mm <input checked="" type="checkbox"/> INCH	<input type="checkbox"/> mm <input checked="" type="checkbox"/> mm ONLY		
	CRITICAL $\nabla=0$	4 PLACES ±0. ±.	DRAWN BY & DATE	BRE 02/10/25	TITLE: PERMA-SEAL MALE TAB NIAC .250 X .032 TAB			
	DESCRIPTION	3 PLACES ±0. ±.005	CHECKED BY & DATE	HEB 02/10/25	MOLEX INCORPORATED			
REV	2 PLACES ±0.13 ±.01	APPROVED BY & DATE	RWD 02/10/25	CAD FILENAME	MATERIAL NO.	DRAWING NO.	SHEET NO.	
E	1 PLACE ±0.25 ±.	ANGULAR: ±1/2°	SD-19164-039 .DGN	SEE CHART	SD-19164-039	1 OF 1	SIZE B	
		DRAFT WHERE APPLICABLE MUST REMAIN WITHIN DIMENSIONS	THIS DRAWING CONTAINS INFORMATION THAT IS PROPRIETARY TO MOLEX INCORPORATED AND SHOULD NOT BE USED WITHOUT WRITTEN PERMISSION.					