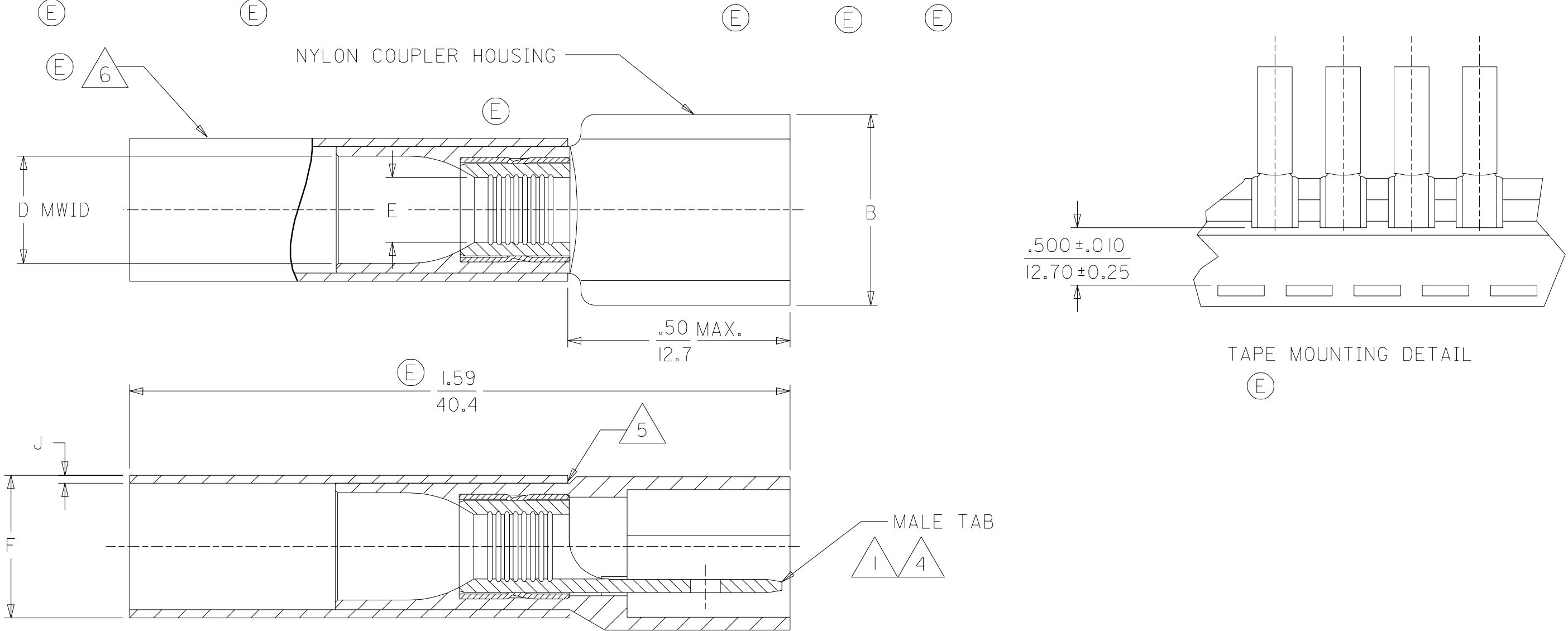


MATERIAL NUMBER	ENG. NUMBER	TAPE MATERIAL NUMBER	TAPE ENG NUMBER	WIRE SIZE AWG	WIRE SIZE MM SQ.	NYLON COLOR	B MAX.	D MWID	E MIN. DIA.	F MAX. DIA.	(E) J
191640015	SAA-9260	191640016	SAA-9260T	22-18	.25-1.5	RED	.45/11.4	.15/3.8	.049/1.25	.29/7.4	.023/0.58
191640048	SBB-9262	191640049	SBB-9262T	16-14	1.0-2.5	BLUE	.45/11.4	.17/4.3	.082/2.08	.31/7.9	.029/0.74
191640075	SC-9280	N/A	N/A	12-10	4.0-6.0	YELLOW	.46/11.7	.23/5.8	.148/3.76	.39/9.9	.029/0.74



- NOTES:
- 1. MALE TAB CONFORMS TO NEMA.
 - 2. ALL DIMENSIONS SHOWN ARE BEFORE SHRINK TUBING IS HEATED.
 - 3. "MWID" DENOTES MAX. WIRE INSULATION DIA.
 - 4. TAB MATERIAL: COPPER, PLATING: TIN
 - 5. TUBING SHALL BE PINCHED CLOSED AS MUCH AS POSSIBLE AS SHOWN.
 - 6. NIAC HEAT SHRINKABLE TUBING WITH HOTMELT INNER LINER. SEE CHART FOR COLOR.

SALES DRAWING

WAS 05234-00	EC NO. ETC2003-0102	QUALITY SYMBOLS	MAJOR
	DRWN: BRE 03/03/13		CRITICAL
E	CH'K: HEB 03/03/13	DESCRIPTION	MAJOR = 0
	APPR: RWD 03/03/13	REV	CRITICAL = 0

GENERAL TOLERANCES: (UNLESS SPECIFIED)	
4 PLACES	±0. ±.
3 PLACES	±0. ±.005
2 PLACES	±0.13 ±.01
1 PLACE	±0.25 ±.
ANGULAR: ±1/2°	
DRAFT WHERE APPLICABLE MUST REMAIN WITHIN DIMENSIONS	

SCALE NO: NE	DESIGN UNITS
BRE 02/10/25	THIRD ANGLE PROJECTION
HEB 02/10/25	
RWD 02/10/25	
CAD FILENAME SD-19164-039 .DGN	

DIMENSIONS: <input type="checkbox"/> mm <input checked="" type="checkbox"/> INCH		SHT	REV
TITLE: PERMA-SEAL MALE TAB NIAC .250 X .032 TAB			
MOLEX INCORPORATED			
MATERIAL NO. SEE CHART	DRAWING NO. SD-19164-039	SHEET NO. 1 OF 1	SIZE B
THIS DRAWING CONTAINS INFORMATION THAT IS PROPRIETARY TO MOLEX INCORPORATED AND SHOULD NOT BE USED WITHOUT WRITTEN PERMISSION.			