

Part Number: 0191930149

Status: Active Overview: [Ring Tongue - Spade Terminals](#)

Description: VersaKrimp™ Ring Tongue Terminal for 8 AWG Wire, Stud Size 10

Documents:

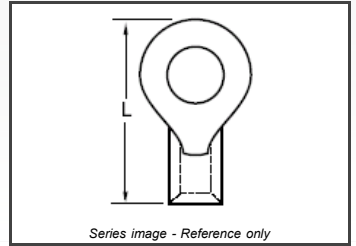
Note - Please disable browser pop-up blockers for documents on www.molex.com

[Drawing \(PDF\)](#)

[Product Specification PS-19902-011 \(PDF\)](#)

[Product Specification PS-19902-013 \(PDF\)](#)

[RoHS Certificate of Compliance \(PDF\)](#)



Order Products:

[Check Distributor Inventory](#)

[Add to My Parts](#)

[Request Samples](#)

Part Detail: [\(show all\)](#)

[General](#) \ [Physical](#) \ [Agency Certification](#) \ [Material Info](#) \ [Reference - Drawing Numbers](#)

General

Product Family	Ring and Spade Terminals
Series	19193
Mil-Spec	N/A
Overview	Ring Tongue - Spade Terminals
Product Name	VersaKrimp™
Type	Ring

Physical

Barrel Type	Closed - Brazed
Insulation	None
Material - Plating Mating	Tin
Packaging Type	Bag
Stud Size	10 (M5)
Termination Interface: Style	Crimp or Compression
Wire Size AWG	8
Wire Size mm²	6.60 - 10.5

Agency Certification

CSA	LR18689
UL	E32244

Material Info

Old Part Number	D-350-10
-----------------	----------

Reference - Drawing Numbers

Product Specification	PS-19902-011, PS-19902-013
Sales Drawing	SD-19193-016

EU RoHS

ELV and RoHS Compliant

China RoHS

Compliant



REACH SVHC

Contains SVHC: No

Low-Halogen Status

Low-Halogen

Need more information on product environmental compliance?

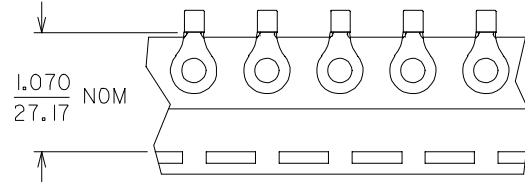
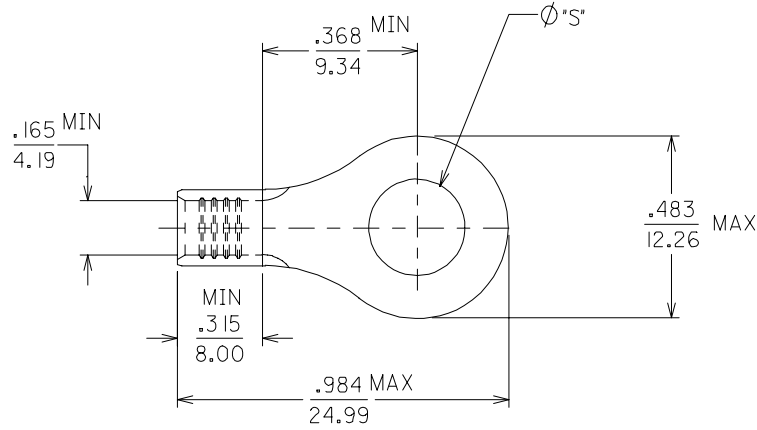
Email productcompliance@molex.com

For a multiple part number RoHS Certificate of Compliance, [click here](#)

Please visit the [Contact Us](#) section for any non-product compliance questions.

MATERIAL NUMBER	ALTERNATE NUMBER	Ø" S"	PACKAGING
191930143	D-350-06	.146	LOOSE PIECE
191930146	D-350-08	.173	
191930149	D-350-10	.198	
191930152	D-350-14	.265	
191930157	D-350-56	.328	
191930145	D-350-06T	.146	TAPE PARTS
191930148	D-350-08T	.173	
191930151	D-350-10T	.198	
191930155	D-350-14T	.265	
191930158	D-350-56T	.328	

(B)



- (B) 1. MATERIAL: TERMINAL: COPPER
.045/1.14 THICK REF.
PLATING: ELECTRO TIN
- (B) 2. ALL DIMENSIONS = INCHES / MM
- (B) 3. PART IS ROHS COMPLIANT.

REDRAWN & REVISED
 EC NO: ETC2007-0019
 2007/08/22
 DRW: NEHLE
 CHKD: JMACNEIL
 2007/09/11
 APPR: JMACNEIL
 2007/09/19

QUALITY SYMBOLS
 ▽=0
 ▽=0
 DESCRIPTION
 REV

	GENERAL TOLERANCES (UNLESS SPECIFIED)	
	mm	INCH
4 PLACES	± .005	± .0005
3 PLACES	± .005	± .0005
2 PLACES	± 0.13	± .01
1 PLACE	± 0.25	± .01
ANGULAR		± 1/2°

DRAFT WHERE APPLICABLE
MUST REMAIN WITHIN DIMENSIONS

DIMENSION STYLE	
IN/MM	
DRAWN BY	DATE
EDB	2001/01/23
CHECKED BY	DATE
HEB	2001/01/23
APPROVED BY	DATE
RWD	2001/01/23
MATERIAL NO.	DOCUMENT NO.
SEE CHART	SD-19193-016
SIZE	
B	

SCALE	DESIGN UNITS	THIRD ANGLE PROJECTION
4:1	INCH	☉
RING TONGUE TERMINAL, 8 AWG		
MOLEX INCORPORATED		
SHEET NO.		1 OF 1
THIS DRAWING CONTAINS INFORMATION THAT IS PROPRIETARY TO MOLEX INCORPORATED AND SHOULD NOT BE USED WITHOUT WRITTEN PERMISSION		