

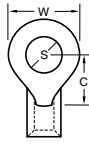
Distributed by:

JAMECO[®]
ELECTRONICS

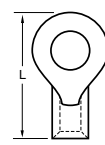
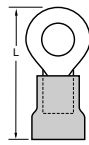
www.Jameco.com ♦ 1-800-831-4242

The content and copyrights of the attached
material are the property of its owner.

Jameco Part Number 795181



Material: Copper



Insulkrimp®
(PVC Insulation)

Versakrimp™

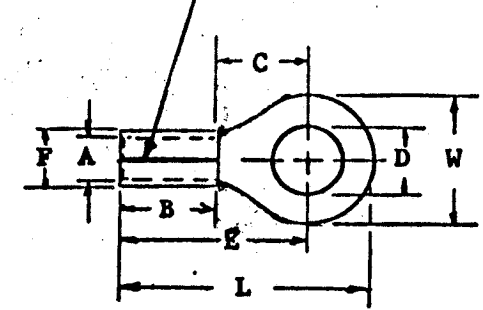
Wire Range AWG	Stud Size S	Maximum Width W	Minimum Clearance C	Loose Piece Order No.	Mylar Tape Order No.	Maximum Length L	Loose Piece Order No.	Mylar Tape Order No.	Maximum Length L
8	6 (3.5)	9.90 (.389)	9.40 (.368)	19071-0176	19071-0177	31.80 (1.252)	19193-0198	19193-0199	23.80 (.937)
	8 (4)	12.30 (.483)	9.40 (.368)	19071-0134	19071-0135	33.00 (1.299)	19193-0146	19193-0148	25.00 (.984)
		9.90 (.389)	9.40 (.368)	19071-0178	19071-0179	31.80 (1.252)	19193-0200	19193-0201	23.80 (.937)
	10 (-)	12.30 (.483)	9.40 (.368)	19071-0136	19071-0139	33.00 (1.299)	19193-0149	19193-0151	25.00 (.984)
		15.30 (.603)	11.00 (.433)	19071-0146	19071-0147	36.10 (1.421)	19193-0159	19193-0162	28.10 (1.106)
		9.90 (.389)	9.40 (.368)	19071-0180	19071-0181	31.80 (1.252)	19193-0202	19193-0203	23.80 (.937)
	1/4 (6)	12.30 (.483)	9.40 (.368)	19071-0140	19071-0143	33.00 (1.299)	19193-0152	19193-0155	28.10 (1.106)
		15.30 (.603)	11.00 (.433)	19071-0148	19071-0149	36.10 (1.421)	19193-0163	19193-0166	28.10 (1.106)
		9.90 (.389)	9.40 (.368)	19071-0182	19071-0184	31.80 (1.252)	19193-0204	19193-0205	23.80 (.937)
	5/16 (8)	12.30 (.483)	9.40 (.368)	19071-0144	19071-0145	33.00 (1.299)	19193-0157	19193-0158	25.00 (.984)
		15.30 (.603)	11.00 (.433)	19071-0153	19071-0155	36.10 (1.421)	19193-0171	19193-0174	28.10 (1.106)
	3/8 (9)	15.30 (.603)	11.00 (.433)	19071-0150	19071-0152	36.10 (1.421)	19193-0167	19193-0170	28.10 (1.106)
		21.00 (.825)	15.60 (.616)	19071-0162		42.60 (1.718)	19193-0184		35.60 (1.403)
	7/16 (11)	21.00 (.825)	15.60 (.616)	19071-0166		42.60 (1.718)	19193-0187	19193-0189	35.60 (1.403)
	1/2 (12)	21.00 (.825)	15.60 (.616)	19071-0334	19071-0160	42.60 (1.718)	19193-0179	19193-0181	35.60 (1.403)
	5/8 (16)	21.00 (.825)	15.60 (.616)	19071-0164	19071-0165	42.60 (1.718)	19193-0186		35.60 (1.403)
29.00 (1.140)		25.20 (.993)	19071-0173		57.20 (2.253)	19193-0195		49.20 (1.938)	
3/4 (18)	29.00 (1.140)	25.20 (.993)				19193-0192		49.20 (1.938)	
6	8 (4)	12.30 (.485)	13.20 (.518)	19071-0218	19071-0219	40.50 (1.593)	19193-0243	19193-0244	30.20 (1.188)
	10 (-)	16.40 (.645)	13.20 (.518)	19071-0188	19071-0189	42.50 (1.673)	19193-0209	19193-0211	32.20 (1.268)
		12.30 (.485)	13.20 (.518)	19071-0221	19071-0223	40.50 (1.593)	19193-0245	19193-0247	30.20 (1.188)
	1/4 (6)	16.40 (.645)	13.20 (.518)	19071-0190	19071-0192	42.50 (1.673)	19193-0212	19193-0215	32.20 (1.268)
		21.30 (.837)	15.50 (.610)				19193-0229		37.00 (1.456)
	5/16 (8)	12.30 (.485)	13.20 (.518)	19071-0225	19071-0227	40.50 (1.593)	19193-0248	19193-0250	30.20 (1.188)
		16.40 (.645)	13.20 (.518)	19071-0196	19071-0198	42.50 (1.673)	19193-0219	19193-0222	32.20 (1.268)
	3/8 (9)	12.30 (.485)	13.20 (.518)	19071-0229	19071-0230	40.50 (1.593)	19193-0251	19193-0253	30.20 (1.188)
		16.40 (.645)	13.20 (.518)	19071-0193	19071-0195	42.50 (1.673)	19193-0216	19193-0218	32.20 (1.268)
	7/16 (11)	21.30 (.837)	15.50 (.610)				19193-0230	19193-0231	37.00 (1.456)
	1/2 (12)	21.30 (.837)	15.50 (.610)	19071-0208		47.30 (1.861)	19193-0234		37.00 (1.456)
	5/8 (16)	21.30 (.837)	15.50 (.610)	19071-0201		47.30 (1.861)	19193-0226	19193-0228	37.00 (1.456)
	3/4 (18)	28.90 (1.136)	25.20 (.991)				19193-0233		37.00 (1.456)
	4	10 (-)	17.30 (.680)	13.40 (.527)	19071-0231		46.70 (1.840)	19193-0254	19193-0257
12.40 (.490)			13.40 (.527)	19071-0250	19071-0252	44.30 (1.744)	19193-0273	19193-0274	32.00 (1.261)
1/4 (6)		17.30 (.680)	13.40 (.527)	19071-0237		46.70 (1.840)	19193-0261	19193-0263	34.50 (1.357)
		12.40 (.490)	13.40 (.527)	19071-0253	19071-0254	44.30 (1.744)	19193-0275	19193-0277	32.00 (1.261)
5/16 (8)		17.30 (.680)	13.40 (.527)	19071-0243	19071-0246	46.70 (1.840)	19193-0267	19193-0269	34.50 (1.357)
		12.40 (.490)	13.40 (.527)				19193-0278	19193-0280	33.00 (1.261)
3/8 (9)		17.30 (.680)	13.40 (.527)	19071-0240		46.70 (1.840)	19193-0264	19193-0266	34.50 (1.357)
		22.90 (.900)	25.30 (.996)				19193-0283		49.10 (1.935)
1/2 (12)		17.30 (.680)	13.40 (.527)	19071-0234		46.70 (1.840)	19193-0258	19193-0260	34.50 (1.357)
		22.90 (.900)	25.30 (.996)				19193-0281		49.10 (1.935)
5/8 (16)		22.90 (.900)	25.30 (.996)				19193-0285		49.10 (1.935)
		32.40 (1.275)	25.30 (.996)				19193-0293		53.90 (2.123)
3/4 (18)		32.40 (1.275)	25.30 (.996)				19193-0289		53.90 (2.123)

Customer Dwg:

MATERIAL: Copper
 PLATING: Electro-Tin
 STUD SIZE: "D" ±.005

VERSAKRIMP

BRAZE SEAM



- 10 - .198
- 14 - .265
- 56 - .328
- 38 - .390
- 76 - .453
- 12 - .515
- 58 - .656
- 34 - .781
- 209 = .209
- 413 = .413

Customer Dimensions

Part No.	Wire Size	"W"	"C" Min	"E" Max	"B" Min	"L" Max	"A" Min	Stock Thkns. (A)	"F" Max	AVAILABLE STUD SIZE
F-366-	#4	.652 .678	.520	1.028	.425	1.385	.280	REF. .075	.470	209, 413 10, 14, 56, 38, 76, 12,
F-367-	#4	.465 .485	.520	1.028	.425	1.288	.280	REF. .075	.470	10, 14, 56
F-369-	#4	.875 .895	.989	1.497	.425	1.970	.280	REF. .075	.470	14, 56, 38, 76, 12, 58
F-370-	#4	1.250 1.270	.989	1.497	.425	2.158	.280	REF. .075	.470	14, 56, 38, 76, 12, 58, 34

For parts to be on tape add "T" at end of part number.



TITLE: "F" RING TONGUE TERMINAL

DIMENSIONAL TOLERANCE UNLESS OTHERWISE SPECIFIED		
FRAC.	DEC.	ANG.
±	±	±

REVISION	SCALE: NONE	DATE
	DRWN. BY: LEM	3/2/70
	CHKD. BY:	
	APPRD. BY:	
A	ETC 50245 11/2 RGM	DRAWING NO.: