

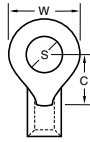
Distributed by:

JAMECO[®]
ELECTRONICS

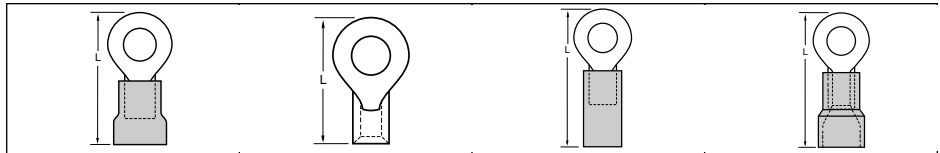
www.Jameco.com ♦ 1-800-831-4242

The content and copyrights of the attached
material are the property of its owner.

Jameco Part Number 795261



Material: Copper

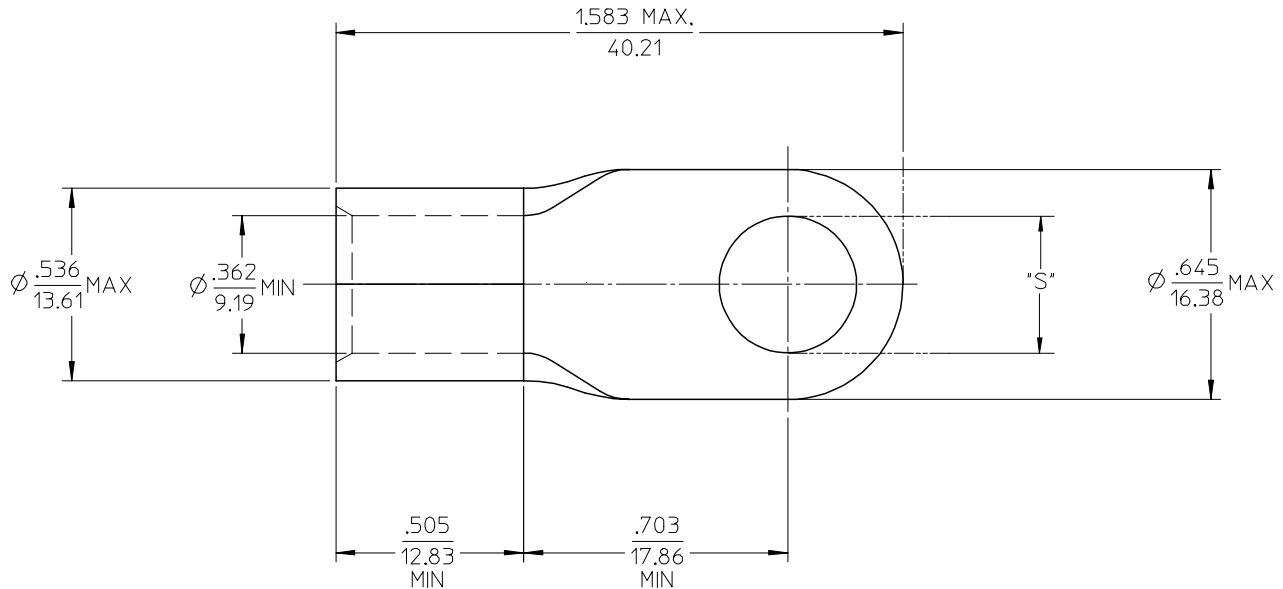


Wire Range AWG	Stud Size S	Maximum Width W	Minimum Clearance C	Insulkrimp® (PVC Insulation)		Versakrimp™		Nylakrimp® (Nylon Insulation)		Funnel Entry Nylakrimp (Nylon Insulation)		
				Loose Piece Order No.	Maximum Length L	Loose Piece Order No.	Maximum Length L	Loose Piece Order No.	Maximum Length L	Loose Piece Order No.	Maximum Length L	
2	10 (-)	16.40 (.645)	17.90 (.703)	19071-0279	53.20 (2.093)	19193-0303	40.20 (1.583)		19063-0094	55.80 (2.195)	19067-0095	55.50 (2.186)
	1/4 (6)	22.30 (.879)	17.90 (.703)	19071-0273	56.10 (2.210)	19193-0297	43.20 (1.700)					
		16.40 (.645)	17.90 (.703)	19071-0281	53.20 (2.093)	19193-0305	40.20 (1.583)	19063-0100	52.80 (2.078)	19067-0096	55.50 (2.186)	
	5/16 (8)	22.30 (.879)	17.90 (.703)			19193-0299	43.20 (1.700)			19067-0093	58.50 (2.303)	
		16.40 (.645)	17.90 (.703)	19071-0285	53.20 (2.093)	19193-0309	40.20 (1.583)	19063-0102	52.80 (2.078)	19067-0098	55.50 (2.186)	
	3/8 (9)	22.30 (.879)	17.90 (.703)			19193-0298	43.20 (1.700)			19067-0092	58.50 (2.303)	
		16.40 (.645)	17.90 (.703)	19071-0283	53.20 (2.093)	19193-0307	40.20 (1.583)	19063-0101	52.80 (2.078)	19067-0097	55.50 (2.186)	
	7/16 (11)	22.30 (.879)	17.90 (.703)			19193-0302	43.20 (1.700)			19067-0094	58.50 (2.303)	
	1/2 (12)	22.30 (.879)	17.90 (.703)	19071-0272	56.10 (2.210)	19193-0296	43.20 (1.700)	19063-0093	55.80 (2.195)	19067-0090	58.50 (2.303)	
	5/8 (16)	22.30 (.879)	17.90 (.703)	19071-0277	56.10 (2.210)	19193-0301	43.20 (1.700)	19063-0097	55.80 (2.195)	19067-0130	58.50 (2.303)	
32.30 (1.270)		25.10 (.990)			19193-0611	55.40 (2.183)			19067-0100	70.80 (2.786)		
3/4 (18)	32.30 (1.270)	25.10 (.990)			19193-0320	55.40 (2.183)	19063-0113	68.00 (2.678)	19067-0099	70.80 (2.786)		
1/0	1/4 (6)	21.30 (.840)	19.10 (.750)	19071-0303	66.80 (2.630)	19193-0330	48.80 (1.920)	19063-0123	64.60 (2.544)			
	5/16 (8)	21.30 (.840)	19.10 (.750)	19071-0306	66.80 (2.630)	19193-0333	48.80 (1.920)	19063-0125	64.60 (2.544)	19067-0104	66.80 (2.628)	
		21.30 (.840)	19.10 (.750)	19071-0305	66.80 (2.630)	19193-0331	48.80 (1.920)	19063-0124	64.60 (2.544)			
	3/8 (9)	22.90 (.902)	19.10 (.750)			19193-0612	49.60 (1.951)	19063-0120	65.40 (2.575)	19067-0101	67.50 (2.659)	
		32.40 (1.277)	32.60 (1.282)							19067-0107	85.80 (3.379)	
	7/16 (11)	22.90 (.902)	19.10 (.750)	19071-0302	67.60 (2.661)	19193-0329	49.60 (1.951)	19063-0122	65.40 (2.575)	19067-0102	67.50 (2.659)	
	1/2 (12)	22.90 (.902)	19.10 (.750)			19193-0325	49.60 (1.951)	19063-0118	65.40 (2.575)			
		32.40 (1.277)	32.60 (1.282)					19063-0126	65.40 (2.575)	19067-0105	67.50 (2.659)	
	5/8 (16)	32.40 (1.277)	32.60 (1.282)							19067-0108	67.50 (2.659)	
	3/4 (18)	32.40 (1.277)	32.60 (1.282)							19067-0106	67.50 (2.659)	
2/0	1/4 (6)	24.10 (.948)	19.60 (.770)			19193-0342	51.30 (2.019)	19063-0130	67.40 (2.654)	19067-0110	69.30 (2.727)	
	5/16 (8)	24.10 (.948)	19.60 (.770)	19071-0312	67.40 (2.654)	19193-0346	51.30 (2.019)	19063-0132	67.40 (2.654)	19067-0112	69.30 (2.727)	
		24.10 (.948)	19.60 (.770)	19071-0311	67.40 (2.654)	19193-0345	51.30 (2.019)	19063-0131	67.40 (2.654)	19067-0111	69.30 (2.727)	
	7/16 (11)	24.10 (.948)	19.60 (.770)	19071-0313	67.40 (2.654)	19193-0348	51.30 (2.019)	19063-0133	67.40 (2.654)			
	1/2 (12)	24.10 (.948)	19.60 (.770)			19193-0341	51.30 (2.019)			19067-0109	69.30 (2.727)	
		32.40 (1.275)	32.40 (1.275)	19071-0314	84.40 (3.322)	19193-0350	68.20 (2.687)	19063-0134	84.40 (3.322)	19067-0114	86.20 (3.395)	
	5/8 (16)	32.40 (1.275)	32.40 (1.275)	19071-0340	84.40 (3.322)	19193-0352	68.20 (2.687)	19063-0136	84.40 (3.322)			
	3/4 (18)	32.40 (1.275)	32.40 (1.275)	19071-0339	84.40 (3.322)	19193-0351	68.20 (2.687)	19063-0135	84.40 (3.322)			
	3/0	5/16 (8)	27.10 (1.067)	20.40 (.805)			19193-0360	54.70 (2.154)				
		3/8 (9)	27.10 (1.067)	20.40 (.805)			19193-0358	54.70 (2.154)	19063-0139	74.40 (2.929)		
27.10 (1.067)			20.40 (.805)					19063-0151	74.40 (2.929)			
7/16 (11)		27.10 (1.067)	20.40 (.805)					19063-0138	74.40 (2.929)			
1/2 (12)		27.10 (1.067)	20.40 (.805)	19071-0315	76.90 (3.029)	19193-0354	54.70 (2.154)	19063-0150	74.40 (2.929)	19067-0120	76.40 (3.008)	
5/8 (16)		27.10 (1.067)	20.40 (.805)	19071-0319	76.90 (3.029)	19193-0362	54.70 (2.154)	19063-0140	88.70 (3.494)			
4/0	3/4 (18)	32.00 (1.260)	32.40 (1.274)	19071-0352	91.30 (3.594)							
	3/8 (9)	28.80 (1.135)	21.10 (.830)			19193-0375	52.30 (2.215)			19067-0124	78.00 (3.069)	
		28.80 (1.135)	21.10 (.830)									
	7/16 (11)	28.80 (1.135)	21.10 (.830)									
	1/2 (12)	28.80 (1.135)	21.10 (.830)			19193-0372	52.30 (2.215)			19067-0123	78.00 (3.069)	
5/8 (16)	28.80 (1.135)	21.10 (.830)							19067-0131	78.00 (3.069)		
		40.30 (1.260)	33.00 (1.300)							19067-0127	91.20 (3.592)	

Product Specifications

Wire Range AWG	Barrel Length	Material Thickness	Insulation Color	Maximum Wire Insulation Diameter				Inside Barrel Diameter	Circular Mil Area
				Insulkrimp	Avikrimp®	Nylakrimp	Nylakrimp (Funnel Entry)		
24-26	3.70 (.145)	0.40 (.020)	Yellow		1.90 (.075)				254-642
18-22	4.40 (.175)	0.80 (.032)	Red	3.70 (.145)	3.60 (.140)				509-2600
14-16	4.40 (.175)	0.80 (.032)	Blue	4.40 (.175)	4.30 (.170)				2050-5180
14-16 Heavy Duty	6.40 (.250)	1.27 (.050)	Yellow	6.40 (.250)	5.70 (.225)				2050-9030
12-14	6.40 (.250)	1.00 (.040)	Yellow						3260-8230
10-12	6.40 (.250)	1.00 (.040)	Yellow	6.40 (.250)	5.70 (.225)				5180-13,100
8	8.40 (.330)	1.30 (.050)	Red	6.70 (.265)		6.70 (.265)	8.80 (.346)	4.50 (.176) min.	13,100-20,800
6	9.80 (.385)	1.40 (.057)	Blue	11.20 (.440)		8.80 (.345)	10.80 (.424)	6.00 (.235) min.	20,800-33,100
4	11.40 (.447)	1.90 (.075)	Yellow	13.10 (.515)		10.90 (.430)	12.80 (.506)	7.20 (.285) min.	33,100-52,600
2	13.10 (.515)	1.90 (.075)	Red	16.50 (.650)		12.90 (.510)	15.20 (.598)	9.30 (.367) min.	52,600-83,700
1/0	17.70 (.700)	1.90 (.075)	Blue	17.50 (.690)		15.00 (.592)	17.20 (.678)	10.90 (.430) min.	83,700-119,500
2/0	18.40 (.725)	2.10 (.083)	Yellow	18.40 (.725)		17.10 (.672)	19.40 (.762)	12.90 (.510) min.	119,500-150,500
3/0	19.40 (.765)	2.30 (.091)	Red	22.10 (.870)		18.60 (.733)	22.00 (.867)	13.80 (.545) min.	150,500-190,000
4/0	19.40 (.765)	2.60 (.102)	Blue			21.00 (.833)	23.80 (.936)	15.90 (.625) min.	190,000-231,000

MATERIAL NO. LOOSE PIECE	ENG. NO.	STUD SIZE	±.003 "S"	STOCK THICKNESS
191930303	G-375-10	10	.198	.075 (1.90)
191930305	G-375-14	1/4	.265	
191930309	G-375-56	5/16	.328	
191930307	G-375-38	3/8	.390	
191930311	G-375-76	7/16	.453	



SALES DRAWING

- NOTE(S):
1. MATERIAL: COPPER
 2. PLATING: ELECTROPLATE TIN
 3. ALL DIMENSIONS IN INCHES/(MM).
 4. WIRE SIZE: 2 AWG
35 MM²

REVISED/UPDATE TO MK STDS EC NO: ETC2003-0315 DRAWN:DMYRICK 2003/08/20 CHKD:HEB 2003/08/21 APPR:RDEROSS 2003/08/21	DESCRIPTION	QUALITY SYMBOLS	GENERAL TOLERANCES (UNLESS SPECIFIED)	SCALE	DESIGN UNITS	THIRD ANGLE PROJECTION	REVISE ON CAD ONLY	
		▼ = 0		mm	INCH		TITLE	
		▽ = 0		4 PLACES ± --- ± ---	IN/MM		RING TONGUE TERMINAL	
				3 PLACES ± --- ± .005	DRAWN BY DATE		VERSAKRIMP	
		2 PLACES ± 0.13 ± .01	DLM 03/07/11	2 AWG				
		1 PLACE ± 0.25 ± ---	CHECKED BY DATE	MOLEX INCORPORATED				
		ANGULAR ± 1/2°	HEB 03/07/11	MATERIAL NO.	DOCUMENT NO.	SHEET NO.		
		DRAFT WHERE APPLICABLE	APPROVED BY DATE	(SEE CHART)	SD-19193-028	1 OF 1		
		MUST REMAIN WITHIN DIMENSIONS	RWD 03/07/11	THIS DRAWING CONTAINS INFORMATION THAT IS PROPRIETARY TO MOLEX INCORPORATED AND SHOULD NOT BE USED WITHOUT WRITTEN PERMISSION				