

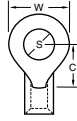
Distributed by:

JAMECO[®]
ELECTRONICS

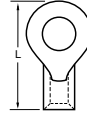
www.Jameco.com ♦ 1-800-831-4242

The content and copyrights of the attached
material are the property of its owner.

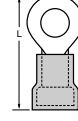
Jameco Part Number 516402



Material: Copper



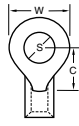
Versakrimp®



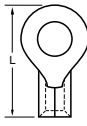
Avikrimp®
(Nylon Insulation)

Wire Range AWG	Stud Size S	Max. Width W	Min. Clearance C	Loose Piece Order No.	Mylar Tape Order No.	Max. Length L	Loose Piece Order No.	Mylar Tape Order No.	Max. Length L
18-22 (0.80-0.35)	1-2 (2)	6.00 (.235)	3.90 (.157)				19073-0005	19073-0006	18.00 (.709)
	3-4 (2.6)	5.00 (.197)	4.40 (.173)				19073-0003	19073-0004	18.20 (.715)
		6.00 (.235)	3.90 (.157)	19193-0007	19193-0008	12.30 (.484)	19073-0007	19073-0008	18.00 (.709)
	5-6 (3-3.5)	6.70 (.264)	6.10 (.240)				19073-0036	19073-0037	20.50 (.807)
		6.00 (.235)	3.90 (.157)	19193-0009	19193-0011	12.30 (.484)	19073-0009	19073-0010	18.00 (.709)
		6.70 (.264)	6.10 (.240)	19193-0034	19193-0035	14.80 (.582)	19073-0038	19073-0040	20.50 (.807)
		8.20 (.322)	7.60 (.300)	19193-0012	19193-0013	17.00 (.671)	19073-0011	19073-0012	22.80 (.896)
	8 (4)	6.70 (.264)	6.10 (.240)	19193-0036	19193-0037	14.80 (.582)	19073-0042	19073-0043	20.50 (.807)
		8.20 (.322)	7.60 (.300)	19193-0014	19193-0015	17.00 (.671)	19073-0013	19073-0015	22.80 (.896)
	10 (-)	7.20 (.283)	6.10 (.240)	19193-0041	19193-0042	15.00 (.591)	19073-0049	19073-0050	20.70 (.816)
		8.20 (.322)	7.60 (.300)	19193-0016	19193-0017	17.00 (.671)	19073-0017	19073-0019	22.80 (.896)
	1/4 (6)	12.10 (.477)	9.80 (.386)	19193-0021	19193-0022	21.20 (.835)	19073-0024	19073-0026	26.90 (1.060)
	5/16 (8)	12.10 (.477)	9.80 (.386)	19193-0023	19193-0024	21.20 (.835)	19073-0027	19073-0028	26.90 (1.060)
	3/8 (9)	13.80 (.544)	14.00 (.552)				19073-0032	19073-0033	31.90 (1.259)
14-16 (2.00-1.30)	1-2 (2)	6.60 (.260)	5.30 (.209)	19193-0062	19193-0063	14.20 (.560)			
	3-4 (2.6)	6.00 (.260)	5.30 (.209)				19073-0065	19073-0066	22.30 (.880)
		6.60 (.260)	5.30 (.209)				19073-0067	19073-0070	22.30 (.880)
	5-6 (3-3.5)	8.20 (.322)	7.00 (.275)	19193-0078	19193-0079	16.30 (.640)	19073-0083	19073-0084	22.30 (.880)
		6.60 (.260)	5.30 (.209)				19073-0072	19073-0073	22.30 (.880)
	8 (4)	8.20 (.322)	7.00 (.275)	19193-0080	19193-0081	16.30 (.640)	19073-0085	19073-0086	22.30 (.880)
		8.90 (.352)	7.90 (.310)	19193-0089	19193-0090	17.70 (.696)	19073-0094	19073-0096	23.80 (.936)
	10 (-)	8.20 (.322)	7.00 (.275)	19193-0082	19193-0083	16.30 (.640)	19073-0087	19073-0088	22.30 (.880)
		8.90 (.352)	7.90 (.310)	19193-0091	19193-0092	17.70 (.696)	19073-0097	19073-0099	23.80 (.936)
	1/4 (6)	12.10 (.477)	9.90 (.388)				19073-0074	19073-0075	27.40 (1.077)
		12.10 (.477)	9.90 (.388)	19193-0072	19193-0073	21.20 (.837)	19073-0076	19073-0077	27.40 (1.077)
	5/16 (8)	13.80 (.544)	13.60 (.535)	19193-0074	19193-0075	21.20 (.837)	19073-0079	19073-0080	27.40 (1.077)
		13.80 (.544)	13.60 (.535)				19073-0061	19073-0062	31.80 (1.250)
	3/8 (9)	13.80 (.544)	13.60 (.535)	19193-0057	19193-0058	25.70 (1.010)	19073-0059	19073-0060	31.80 (1.250)
14-16 (2.00-1.30) Heavy Duty (Also suitable for 12 AWG)	8 (4)	9.80 (.385)	7.70 (.303)				19058-0041		27.70 (1.091)
		9.80 (.385)	7.70 (.303)				19058-0047	19058-0050	27.70 (1.091)
	10 (-)	13.70 (.540)	10.00 (.393)					19058-0060	32.00 (1.258)
		13.70 (.540)	10.00 (.393)				19058-0063	19058-0068	32.00 (1.258)
	5/16 (8)	13.70 (.540)	10.00 (.393)				19058-0072	19058-0077	32.00 (1.258)
	3/8 (9)	15.20 (.598)	11.80 (.466)				19058-0117	19058-0119	34.60 (1.362)
	7/16 (11)	19.30 (.760)	15.50 (.611)				19058-0026		40.30 (1.586)
	1/2 (12)	19.30 (.760)	15.50 (.611)				19058-0016		40.30 (1.586)

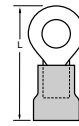
STANDARD RING TONGUE



Material: Copper

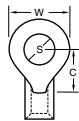


Krimptite®



Insulkrimp®
(PVC Insulation)

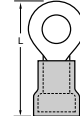
Wire Range AWG (mm ²)	Stud Size S	Maximum Width W	Minimum Clearance C	Loose Piece Order No.	Mylar Tape Order No.	Maximum Length L	Loose Piece Order No.	Mylar Tape Order No.	Maximum Length L
10-12 (5.00-3.30)	5-6 (3-3.5)	7.40 (.292)	7.80 (.306)	19069-0230	19069-0232	18.80 (.741)	19070-0143	19070-0144	26.20 (1.032)
		9.80 (.385)	7.70 (.303)	19069-0202		19.90 (.785)	19070-0119	19070-0120	27.30 (1.076)
	8 (4)	7.40 (.292)	7.80 (.306)	19069-0233	19069-0235	18.80 (.741)	19070-0145	19070-0146	26.20 (1.032)
		9.80 (.385)	7.70 (.303)	19069-0205	19069-0208	19.90 (.785)	19070-0121	19070-0122	27.30 (1.076)
	10 (-)	9.80 (.385)	7.70 (.303)	19069-0209	19069-0212	19.90 (.785)	19070-0123	19070-0125	27.30 (1.076)
		13.70 (.540)	10.00 (.393)	19069-0217	19069-0218	24.20 (.952)	19070-0130	19070-0131	31.60 (1.243)
		15.20 (.598)	14.40 (.566)	19069-0236		26.80 (1.056)			
	1/4 (6)	13.70 (.540)	10.00 (.393)	19069-0219	19069-0221	24.20 (.952)	19070-0132	19070-0133	31.60 (1.243)
		15.20 (.598)	14.40 (.566)	19069-0238	19069-0240	26.80 (1.056)	19070-0150	19070-0151	34.20 (1.347)
	5/16 (8)	13.70 (.540)	10.00 (.393)	19069-0223	19069-0225	24.20 (.952)	19070-0136	19070-0137	31.60 (1.243)
		15.20 (.598)	14.40 (.566)	19069-0244	19069-0246	26.80 (1.056)	19070-0155	19070-0156	34.20 (1.347)
	3/8 (9)	15.20 (.598)	14.40 (.566)	19069-0241	19069-0243	26.80 (1.056)	19070-0153	19070-0154	34.20 (1.347)
		19.30 (.760)	15.50 (.611)	19069-0196	19069-0145	32.50 (1.280)			39.90 (1.571)
	7/16 (11)	19.30 (.760)	15.50 (.611)	19069-0198	19069-0146	32.50 (1.280)	19070-0115	19070-0116	39.90 (1.571)
	1/2 (12)	19.30 (.760)	15.50 (.611)	19069-0192	19069-0194	32.50 (1.280)	19070-0109	19070-0110	39.90 (1.571)



Material: Copper



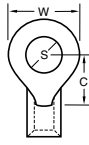
Versakrimp™



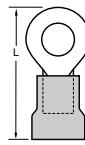
Avikrimp®
(Nylon Insulation)

Wire Range AWG (mm ²)	Stud Size S	Maximum Width W	Minimum Clearance C	Loose Piece Order No.	Mylar Tape Order No.	Maximum Length L	Loose Piece Order No.	Mylar Tape Order No.	Expanded Flare Order No.*	Expanded Flare on Mylar Tape Order No.*	Maximum Length L
10-12 (5.00-3.30)	5-6 (3-3.5)	7.40 (.292)	7.80 (.306)	19193-0128	19193-0129	18.80 (.741)	19073-0216	19073-0218	19073-0220	19073-0221	27.00 (1.047)
		9.80 (.385)	7.70 (.303)	19193-0103	19193-0105	19.90 (.785)	19073-0160	19073-0162	19073-0163	19073-0164	27.70 (1.091)
	8 (4)	7.40 (.292)	7.80 (.306)	19193-0130	19193-0131	18.80 (.741)	19073-0222	19073-0224	19073-0225	19073-0226	27.00 (1.047)
		9.80 (.385)	7.70 (.303)	19193-0106	19193-0108	19.90 (.785)	19073-0165	19073-0167	19073-0168	19073-0169	27.70 (1.091)
	10 (-)	9.80 (.385)	7.70 (.303)	19193-0109	19193-0111	19.90 (.785)	19073-0170	19073-0172	19073-0173	19073-0174	27.70 (1.091)
		13.70 (.540)	10.00 (.393)	19193-0114	19193-0115	24.20 (.952)	19073-0179	19073-0180	19073-0181	19073-0184	32.00 (1.258)
		15.20 (.598)	14.40 (.566)				19073-0227	19073-0228	19073-0229	19073-0230	34.60 (1.362)
	1/4 (6)	13.70 (.540)	10.00 (.393)	19193-0116	19193-0118	24.20 (.952)	19073-0188	19073-0190	19073-0191	19073-0194	32.00 (1.258)
		15.20 (.598)	14.40 (.566)	19193-0134	19193-0135	26.80 (1.056)	19073-0231	19073-0232	19073-0233	19073-0234	34.60 (1.362)
	5/16 (8)	13.70 (.540)	10.00 (.393)	19193-0120	19193-0122	24.20 (.952)	19073-0200	19073-0201	19073-0202	19073-0205	32.00 (1.258)
		15.20 (.598)	14.40 (.566)	19193-0141	19193-0142	26.80 (1.056)	19073-0242	19073-0243	19073-0244	19073-0245	34.60 (1.362)
	3/8 (9)	15.20 (.598)	14.40 (.566)	19193-0137	19193-0139	26.80 (1.056)	19073-0236	19073-0237	19073-0238	19073-0239	34.60 (1.362)
		19.30 (.760)	15.50 (.611)	19193-0097		32.50 (1.280)					
	7/16 (11)	19.30 (.760)	15.50 (.611)	19193-0099	19193-0100	32.50 (1.280)					
	1/2 (12)	19.30 (.760)	15.50 (.611)	19193-0094	19193-0095	32.50 (1.280)	19073-0145	19073-0146	19073-0147		40.30 (1.586)

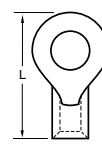
* For use with heavier wire insulation. Maximum wire insulation (.255") 6.50mm.



Material: Copper

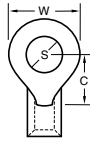


Insulkrimp®
(PVC Insulation)

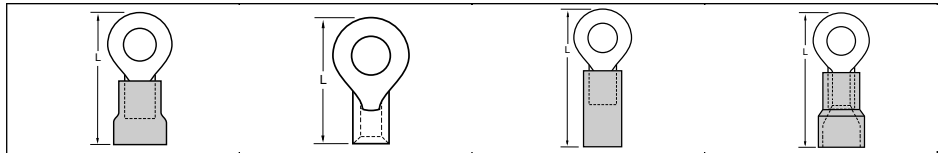


Versakrimp™

Wire Range AWG	Stud Size S	Maximum Width W	Minimum Clearance C	Loose Piece Order No.	Mylar Tape Order No.	Maximum Length L	Loose Piece Order No.	Mylar Tape Order No.	Maximum Length L
8	6 (3.5)	9.90 (.389)	9.40 (.368)	19071-0176	19071-0177	31.80 (1.252)	19193-0198	19193-0199	23.80 (.937)
	8 (4)	12.30 (.483)	9.40 (.368)	19071-0134	19071-0135	33.00 (1.299)	19193-0146	19193-0148	25.00 (.984)
		9.90 (.389)	9.40 (.368)	19071-0178	19071-0179	31.80 (1.252)	19193-0200	19193-0201	23.80 (.937)
	10 (-)	12.30 (.483)	9.40 (.368)	19071-0136	19071-0139	33.00 (1.299)	19193-0149	19193-0151	25.00 (.984)
		15.30 (.603)	11.00 (.433)	19071-0146	19071-0147	36.10 (1.421)	19193-0159	19193-0162	28.10 (1.106)
		9.90 (.389)	9.40 (.368)	19071-0180	19071-0181	31.80 (1.252)	19193-0202	19193-0203	23.80 (.937)
	1/4 (6)	12.30 (.483)	9.40 (.368)	19071-0140	19071-0143	33.00 (1.299)	19193-0152	19193-0155	28.10 (1.106)
		15.30 (.603)	11.00 (.433)	19071-0148	19071-0149	36.10 (1.421)	19193-0163	19193-0166	28.10 (1.106)
		9.90 (.389)	9.30 (.368)	19071-0182	19071-0184	31.80 (1.252)	19193-0204	19193-0205	23.80 (.937)
	5/16 (8)	12.30 (.483)	9.40 (.368)	19071-0144	19071-0145	33.00 (1.299)	19193-0157	19193-0158	25.00 (.984)
		15.30 (.603)	11.00 (.433)	19071-0153	19071-0155	36.10 (1.421)	19193-0171	19193-0174	28.10 (1.106)
	3/8 (9)	15.30 (.603)	11.00 (.433)	19071-0150	19071-0152	36.10 (1.421)	19193-0167	19193-0170	28.10 (1.106)
		21.00 (.825)	15.60 (.616)	19071-0162		42.60 (1.718)	19193-0184		35.60 (1.403)
	7/16 (11)	21.00 (.825)	15.60 (.616)	19071-0166		42.60 (1.718)	19193-0187	19193-0189	35.60 (1.403)
	1/2 (12)	21.00 (.825)	15.60 (.616)	19071-0334	19071-0160	42.60 (1.718)	19193-0179	19193-0181	35.60 (1.403)
	5/8 (16)	21.00 (.825)	15.60 (.616)	19071-0164	19071-0165	42.60 (1.718)	19193-0186		35.60 (1.403)
29.00 (1.140)		25.20 (.993)	19071-0173		57.20 (2.253)	19193-0195		49.20 (1.938)	
3/4 (18)	29.00 (1.140)	25.20 (.993)				19193-0192		49.20 (1.938)	
6	8 (4)	12.30 (.485)	13.20 (.518)	19071-0218	19071-0219	40.50 (1.593)	19193-0243	19193-0244	30.20 (1.188)
	10 (-)	16.40 (.645)	13.20 (.518)	19071-0188	19071-0189	42.50 (1.673)	19193-0209	19193-0211	32.20 (1.268)
		12.30 (.485)	13.20 (.518)	19071-0221	19071-0223	40.50 (1.593)	19193-0245	19193-0247	30.20 (1.188)
	1/4 (6)	16.40 (.645)	13.20 (.518)	19071-0190	19071-0192	42.50 (1.673)	19193-0212	19193-0215	32.20 (1.268)
		21.30 (.837)	15.50 (.610)				19193-0229		37.00 (1.456)
	5/16 (8)	12.30 (.485)	13.20 (.518)	19071-0225	19071-0227	40.50 (1.593)	19193-0248	19193-0250	30.20 (1.188)
		16.40 (.645)	13.20 (.518)	19071-0196	19071-0198	42.50 (1.673)	19193-0219	19193-0222	32.20 (1.268)
	3/8 (9)	12.30 (.485)	13.20 (.518)	19071-0229	19071-0230	40.50 (1.593)	19193-0251	19193-0253	30.20 (1.188)
		16.40 (.645)	13.20 (.518)	19071-0193	19071-0195	42.50 (1.673)	19193-0216	19193-0218	32.20 (1.268)
	7/16 (11)	21.30 (.837)	15.50 (.610)				19193-0230	19193-0231	37.00 (1.456)
	1/2 (12)	21.30 (.837)	15.50 (.610)	19071-0208		47.30 (1.861)	19193-0234		37.00 (1.456)
	5/8 (16)	21.30 (.837)	15.50 (.610)	19071-0201		47.30 (1.861)	19193-0226	19193-0228	37.00 (1.456)
	3/4 (18)	28.90 (1.136)	25.20 (.991)				19193-0233		37.00 (1.456)
	4	10 (-)	17.30 (.680)	13.40 (.527)	19071-0231		46.70 (1.840)	19193-0254	19193-0257
12.40 (.490)			13.40 (.527)	19071-0250	19071-0252	44.30 (1.744)	19193-0273	19193-0274	32.00 (1.261)
1/4 (6)		17.30 (.680)	13.40 (.527)	19071-0237		46.70 (1.840)	19193-0261	19193-0263	34.50 (1.357)
		12.40 (.490)	13.40 (.527)	19071-0253	19071-0254	44.30 (1.744)	19193-0275	19193-0277	32.00 (1.261)
5/16 (8)		17.30 (.680)	13.40 (.527)	19071-0243	19071-0246	46.70 (1.840)	19193-0267	19193-0269	34.50 (1.357)
		12.40 (.490)	13.40 (.527)				19193-0278	19193-0280	33.00 (1.261)
3/8 (9)		17.30 (.680)	13.40 (.527)	19071-0240		46.70 (1.840)	19193-0264	19193-0266	34.50 (1.357)
		22.90 (.900)	25.30 (.996)				19193-0283		49.10 (1.935)
1/2 (12)		17.30 (.680)	13.40 (.527)	19071-0234		46.70 (1.840)	19193-0258	19193-0260	34.50 (1.357)
		22.90 (.900)	25.30 (.996)				19193-0281		49.10 (1.935)
5/8 (16)		22.90 (.900)	25.30 (.996)				19193-0285		49.10 (1.935)
		32.40 (1.275)	25.30 (.996)				19193-0293		53.90 (2.123)
3/4 (18)		32.40 (1.275)	25.30 (.996)				19193-0289		53.90 (2.123)



Material: Copper

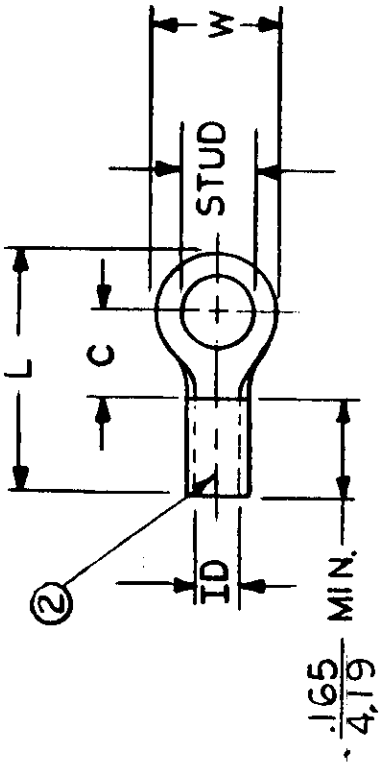


Wire Range AWG	Stud Size S	Maximum Width W	Minimum Clearance C	Insulkrimp® (PVC Insulation)		Versakrimp™		Nylakrimp® (Nylon Insulation)		Funnel Entry Nylakrimp (Nylon Insulation)		
				Loose Piece Order No.	Maximum Length L	Loose Piece Order No.	Maximum Length L	Loose Piece Order No.	Maximum Length L	Loose Piece Order No.	Maximum Length L	
2	10 (-)	16.40 (.645)	17.90 (.703)	19071-0279	53.20 (2.093)	19193-0303	40.20 (1.583)		19063-0094	55.80 (2.195)	19067-0095	55.50 (2.186)
	1/4 (6)	22.30 (.879)	17.90 (.703)	19071-0273	56.10 (2.210)	19193-0297	43.20 (1.700)					
		16.40 (.645)	17.90 (.703)	19071-0281	53.20 (2.093)	19193-0305	40.20 (1.583)	19063-0100	52.80 (2.078)	19067-0096	55.50 (2.186)	
	5/16 (8)	22.30 (.879)	17.90 (.703)			19193-0299	43.20 (1.700)			19067-0093	58.50 (2.303)	
		16.40 (.645)	17.90 (.703)	19071-0285	53.20 (2.093)	19193-0309	40.20 (1.583)	19063-0102	52.80 (2.078)	19067-0098	55.50 (2.186)	
	3/8 (9)	22.30 (.879)	17.90 (.703)			19193-0298	43.20 (1.700)			19067-0092	58.50 (2.303)	
		16.40 (.645)	17.90 (.703)	19071-0283	53.20 (2.093)	19193-0307	40.20 (1.583)	19063-0101	52.80 (2.078)	19067-0097	55.50 (2.186)	
	7/16 (11)	22.30 (.879)	17.90 (.703)			19193-0302	43.20 (1.700)			19067-0094	58.50 (2.303)	
	1/2 (12)	22.30 (.879)	17.90 (.703)	19071-0272	56.10 (2.210)	19193-0296	43.20 (1.700)	19063-0093	55.80 (2.195)	19067-0090	58.50 (2.303)	
	5/8 (16)	22.30 (.879)	17.90 (.703)	19071-0277	56.10 (2.210)	19193-0301	43.20 (1.700)	19063-0097	55.80 (2.195)	19067-0130	58.50 (2.303)	
32.30 (1.270)		25.10 (.990)			19193-0611	55.40 (2.183)			19067-0100	70.80 (2.786)		
3/4 (18)	32.30 (1.270)	25.10 (.990)			19193-0320	55.40 (2.183)	19063-0113	68.00 (2.678)	19067-0099	70.80 (2.786)		
1/0	1/4 (6)	21.30 (.840)	19.10 (.750)	19071-0303	66.80 (2.630)	19193-0330	48.80 (1.920)	19063-0123	64.60 (2.544)			
	5/16 (8)	21.30 (.840)	19.10 (.750)	19071-0306	66.80 (2.630)	19193-0333	48.80 (1.920)	19063-0125	64.60 (2.544)		19067-0104	66.80 (2.628)
		21.30 (.840)	19.10 (.750)	19071-0305	66.80 (2.630)	19193-0331	48.80 (1.920)	19063-0124	64.60 (2.544)			
	3/8 (9)	22.90 (.902)	19.10 (.750)			19193-0612	49.60 (1.951)	19063-0120	65.40 (2.575)	19067-0101	67.50 (2.659)	
		32.40 (1.277)	32.60 (1.282)							19067-0107	85.80 (3.379)	
	7/16 (11)	22.90 (.902)	19.10 (.750)	19071-0302	67.60 (2.661)	19193-0329	49.60 (1.951)	19063-0122	65.40 (2.575)	19067-0102	67.50 (2.659)	
	1/2 (12)	22.90 (.902)	19.10 (.750)			19193-0325	49.60 (1.951)	19063-0118	65.40 (2.575)			
		32.40 (1.277)	32.60 (1.282)					19063-0126	65.40 (2.575)	19067-0105	67.50 (2.659)	
	5/8 (16)	32.40 (1.277)	32.60 (1.282)							19067-0108	67.50 (2.659)	
	3/4 (18)	32.40 (1.277)	32.60 (1.282)							19067-0106	67.50 (2.659)	
2/0	1/4 (6)	24.10 (.948)	19.60 (.770)			19193-0342	51.30 (2.019)	19063-0130	67.40 (2.654)	19067-0110	69.30 (2.727)	
	5/16 (8)	24.10 (.948)	19.60 (.770)	19071-0312	67.40 (2.654)	19193-0346	51.30 (2.019)	19063-0132	67.40 (2.654)	19067-0112	69.30 (2.727)	
		24.10 (.948)	19.60 (.770)	19071-0311	67.40 (2.654)	19193-0345	51.30 (2.019)	19063-0131	67.40 (2.654)	19067-0111	69.30 (2.727)	
	7/16 (11)	24.10 (.948)	19.60 (.770)	19071-0313	67.40 (2.654)	19193-0348	51.30 (2.019)	19063-0133	67.40 (2.654)			
	1/2 (12)	24.10 (.948)	19.60 (.770)			19193-0341	51.30 (2.019)			19067-0109	69.30 (2.727)	
		32.40 (1.275)	32.40 (1.275)	19071-0314	84.40 (3.322)	19193-0350	68.20 (2.687)	19063-0134	84.40 (3.322)	19067-0114	86.20 (3.395)	
	5/8 (16)	32.40 (1.275)	32.40 (1.275)	19071-0340	84.40 (3.322)	19193-0352	68.20 (2.687)	19063-0136	84.40 (3.322)			
	3/4 (18)	32.40 (1.275)	32.40 (1.275)	19071-0339	84.40 (3.322)	19193-0351	68.20 (2.687)	19063-0135	84.40 (3.322)			
	3/0	5/16 (8)	27.10 (1.067)	20.40 (.805)			19193-0360	54.70 (2.154)				
		3/8 (9)	27.10 (1.067)	20.40 (.805)			19193-0358	54.70 (2.154)	19063-0139	74.40 (2.929)		
27.10 (1.067)			20.40 (.805)					19063-0151	74.40 (2.929)			
7/16 (11)		27.10 (1.067)	20.40 (.805)					19063-0138	74.40 (2.929)			
1/2 (12)		27.10 (1.067)	20.40 (.805)	19071-0315	76.90 (3.029)	19193-0354	54.70 (2.154)	19063-0150	74.40 (2.929)	19067-0120	76.40 (3.008)	
5/8 (16)		27.10 (1.067)	20.40 (.805)	19071-0319	76.90 (3.029)	19193-0362	54.70 (2.154)	19063-0140	88.70 (3.494)			
4/0	3/4 (18)	32.00 (1.260)	32.40 (1.274)	19071-0352	91.30 (3.594)							
	3/8 (9)	28.80 (1.135)	21.10 (.830)			19193-0375	52.30 (2.215)			19067-0124	78.00 (3.069)	
		28.80 (1.135)	21.10 (.830)									
	7/16 (11)	28.80 (1.135)	21.10 (.830)									
	1/2 (12)	28.80 (1.135)	21.10 (.830)			19193-0372	52.30 (2.215)			19067-0123	78.00 (3.069)	
5/8 (16)	28.80 (1.135)	21.10 (.830)							19067-0131	78.00 (3.069)		
		40.30 (1.260)	33.00 (1.300)							19067-0127	91.20 (3.592)	

Product Specifications

Wire Range AWG	Barrel Length	Material Thickness	Insulation Color	Maximum Wire Insulation Diameter				Inside Barrel Diameter	Circular Mil Area
				Insulkrimp	Avikrimp®	Nylakrimp	Nylakrimp (Funnel Entry)		
24-26	3.70 (.145)	0.40 (.020)	Yellow		1.90 (.075)				254-642
18-22	4.40 (.175)	0.80 (.032)	Red	3.70 (.145)	3.60 (.140)				509-2600
14-16	4.40 (.175)	0.80 (.032)	Blue	4.40 (.175)	4.30 (.170)				2050-5180
14-16 Heavy Duty	6.40 (.250)	1.27 (.050)	Yellow	6.40 (.250)	5.70 (.225)				2050-9030
12-14	6.40 (.250)	1.00 (.040)	Yellow						3260-8230
10-12	6.40 (.250)	1.00 (.040)	Yellow	6.40 (.250)	5.70 (.225)				5180-13,100
8	8.40 (.330)	1.30 (.050)	Red	6.70 (.265)		6.70 (.265)	8.80 (.346)	4.50 (.176) min.	13,100-20,800
6	9.80 (.385)	1.40 (.057)	Blue	11.20 (.440)		8.80 (.345)	10.80 (.424)	6.00 (.235) min.	20,800-33,100
4	11.40 (.447)	1.90 (.075)	Yellow	13.10 (.515)		10.90 (.430)	12.80 (.506)	7.20 (.285) min.	33,100-52,600
2	13.10 (.515)	1.90 (.075)	Red	16.50 (.650)		12.90 (.510)	15.20 (.598)	9.30 (.367) min.	52,600-83,700
1/0	17.70 (.700)	1.90 (.075)	Blue	17.50 (.690)		15.00 (.592)	17.20 (.678)	10.90 (.430) min.	83,700-119,500
2/0	18.40 (.725)	2.10 (.083)	Yellow	18.40 (.725)		17.10 (.672)	19.40 (.762)	12.90 (.510) min.	119,500-150,500
3/0	19.40 (.765)	2.30 (.091)	Red	22.10 (.870)		18.60 (.733)	22.00 (.867)	13.80 (.545) min.	150,500-190,000
4/0	19.40 (.765)	2.60 (.102)	Blue			21.00 (.833)	23.80 (.936)	15.90 (.625) min.	190,000-231,000

- NOTES:**
 ① MAT'L: COPPER
 PLATING: ELECTRO-TIN (.0003 MIN.)
 ② BRAZED SEAM



STUD SIZES: (±.005)

- 02 = .094
- 04 = .119
- 06 = .146
- 08 = .173
- 10 = .198
- 14 = .265
- 56 = .328
- 38 = .390
- 209 = .209

"UL" LISTING *E32244
 "CSA" LISTING *18689

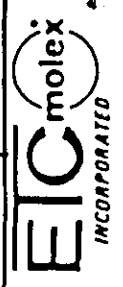
WIRE SIZE: 22-18 AWG
 .25-1.5 MM²

ALL DIMENSIONS = $\frac{\text{INCHES}}{\text{MM}}$

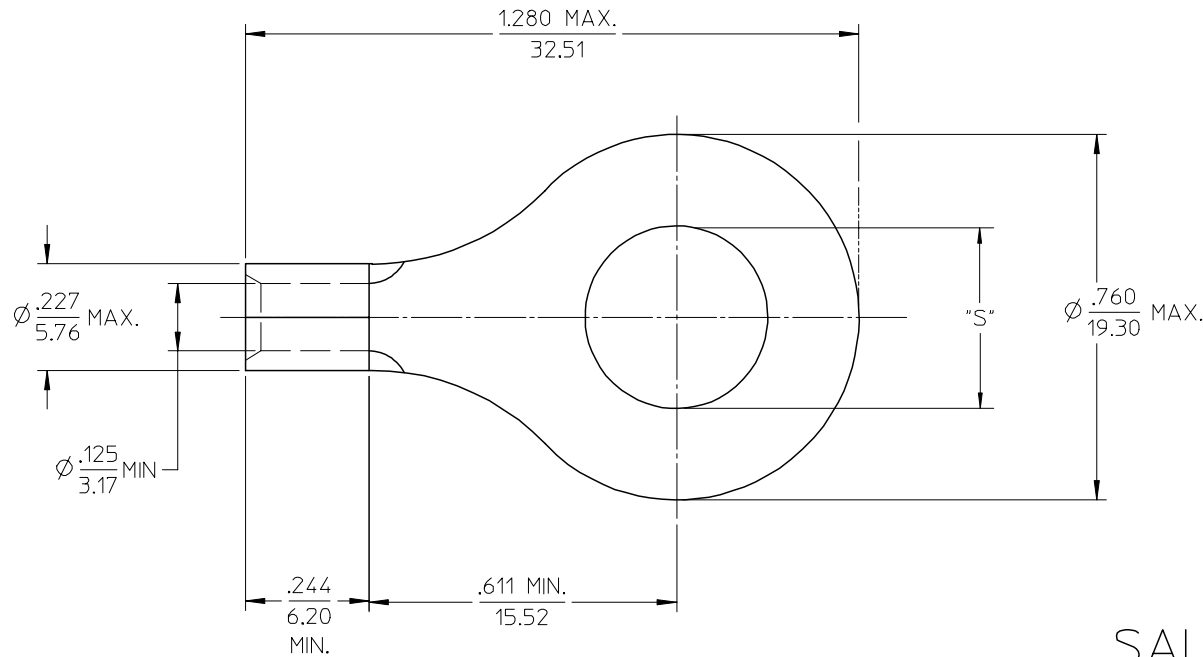
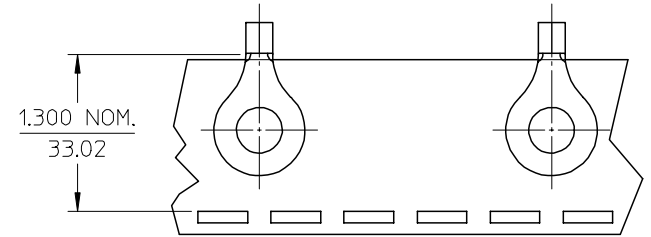
PART NUMBER	"W"		"C" MIN.	"L" MAX.		"ID" MIN.	AVAILABLE STUD SIZES	STOCK THICKNESS
	±.010							
AA-320-	.225 5.72		.157 3.99	.484 12.29	.062 1.57		02, 04, 06	.028 ^{±.001} .71
AA-321-	.312 7.93		.270 6.86	.641 16.28	.062 1.57		06, 08, 10, 209	.028 ^{±.001} .71
AA-322-	.467 11.86		.386 9.80	.835 21.21	.062 1.57		10, 14, 56	.028 ^{±.001} .71
AA-326-	.534 13.56		.552 14.02	1.034 26.26	.054 1.37		10, 14, 56, 38	.031 ^{±.001} .79
AA-332-	.254 6.45		.240 6.10	.582 14.78	.062 1.57		04, 06, 08	.028 ^{±.001} .71

DIMENSIONAL TOLERANCES UNLESS OTHERWISE SPECIFIED		REFERENCE	SCALE: NTS	DATE	TITLE:
FRAC.	DEC.		DRWN. BY: JJ	11-27-84	RING TONGUE TERMINAL
±	ANG.		CHKD. BY: GZ	11-30-84	VERSAKRIMP 300-SERIES
±			APPRD. BY:		

DWG. NO. A		CUSTOMER DWG.	
------------	--	---------------	--



MATERIAL NO. LOOSE PIECE	ENG. NO.	MATERIAL NO. TAPE MOUNTED	ENG. NO.	STUD SIZE	±.003 *S*	STOCK THICKNESS
191930096	C-301-14	-----	-----	1/4	.265	.040 (1.02)
191930098	C-301-56	-----	-----	5/16	.328	
191930097	C-301-38	-----	-----	3/8	.390	
191930099	C-301-76	191930100	C-301-76T	7/16	.453	
191930094	C-301-12	191930095	C-301-12T	1/2	.515	



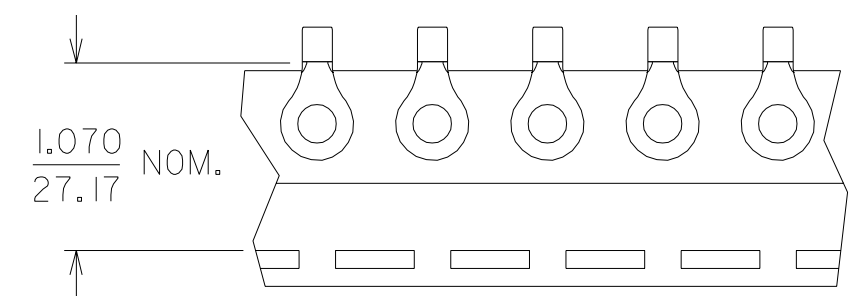
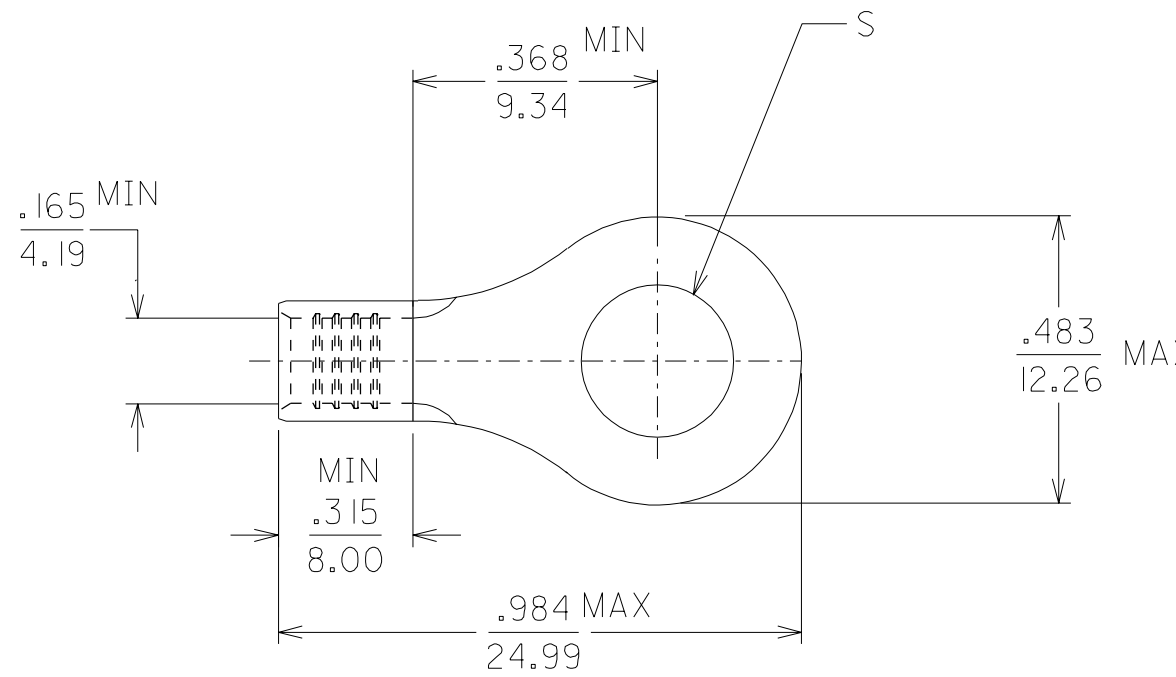
SALES DRAWING

NOTE(S):

1. MATERIAL: COPPER
2. PLATING: ELECTROPLATE TIN
3. ALL DIMENSIONS IN INCHES/(MM).
4. WIRE SIZE: 12-10 AWG
4.0-6.0 MM²

REVISED/UPDATE TO MX STD EC NO: ETC2003-0315 DRWN:DMYRICK 2003/08/20 CHKD:HEB 2003/08/21 APPR:RDEROSS 2003/08/21	QUALITY SYMBOLS ▼ = 0 ▽ = 0	GENERAL TOLERANCES (UNLESS SPECIFIED)		SCALE 4:1	DESIGN UNITS INCH	THIRD ANGLE PROJECTION	REVISE ON CAD ONLY	
			mm	INCH	DIMENSION STYLE IN/MM		TITLE	
		4 PLACES	± ---	± ---	DRAWN BY DLM	DATE 03/06/13	RING TONGUE TERMINAL VERSAKRIMP SERIES 12-10 AWG	
		3 PLACES	± ---	± .005	CHECKED BY HEB	DATE 03/06/13	MOLEX INCORPORATED	
		2 PLACES	± 0.13	± .01	APPROVED BY RWD	DATE 03/06/13	MATERIAL NO. (SEE CHART)	
		1 PLACE	± 0.25	± ---	DOCUMENT NO. SD-19193-022		SHEET NO. 1 OF 1	
		ANGULAR ±1/2°		THIS DRAWING CONTAINS INFORMATION THAT IS PROPRIETARY TO MOLEX INCORPORATED AND SHOULD NOT BE USED WITHOUT WRITTEN PERMISSION				
		DRAFT WHERE APPLICABLE MUST REMAIN WITHIN DIMENSIONS						

MATERIAL NUMBER	ALTERNATE NUMBER	STUD SIZE	PACKAGING
191930143	D-350-06	.146	LOOSE PIECE
191930146	D-350-08	.173	
191930149	D-350-10	.198	
191930152	D-350-14	.265	
191930157	D-350-56	.328	
191930145	D-350-06T	.146	TAPE PARTS
191930148	D-350-08T	.173	
191930151	D-350-10T	.198	
191930155	D-350-14T	.265	
191930158	D-350-56T	.328	



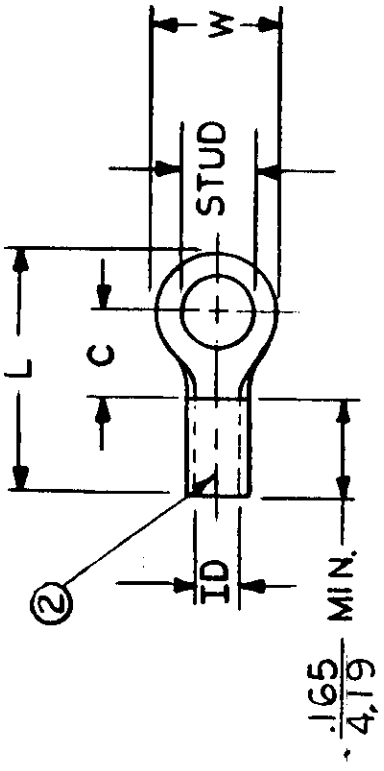
1. MATERIAL: TERMINAL: COPPER
.050 THICK.
PLATING: ELECTRO TIN
2. ALL DIMENSIONS = INCHES / MM

CUSTOMER DRAWING

A	NEW CUST. DWG. ETC2001-0269 01/01/23 EDB
LTR.	REVISIONS

DIMENSIONS SHOWN (METRIC) INCH		REVISE ONLY ON CAD SYSTEM																			
UNLESS OTHERWISE SPECIFIED TOLERANCES: ANGULAR ± 1/2°		TITLE RING TONGUE TERMINAL #8 AWG																			
<table border="1"> <thead> <tr> <th></th> <th>INCH</th> <th>METRIC</th> </tr> </thead> <tbody> <tr> <td>3 PLACE</td> <td>± .005</td> <td>± ---</td> </tr> <tr> <td>2 PLACE</td> <td>± .01</td> <td>± 0.13</td> </tr> <tr> <td>1 PLACE</td> <td>± ---</td> <td>± 0.25</td> </tr> </tbody> </table>			INCH	METRIC	3 PLACE	± .005	± ---	2 PLACE	± .01	± 0.13	1 PLACE	± ---	± 0.25	<table border="1"> <tr> <td> ETC INC.</td> <td>SHEET NO.</td> <td>DATE</td> </tr> <tr> <td>PINELLAS PARK, FLA. 33781 U.S.A.</td> <td>1 OF 1</td> <td>01/01/23</td> </tr> </table>		ETC INC.	SHEET NO.	DATE	PINELLAS PARK, FLA. 33781 U.S.A.	1 OF 1	01/01/23
	INCH	METRIC																			
3 PLACE	± .005	± ---																			
2 PLACE	± .01	± 0.13																			
1 PLACE	± ---	± 0.25																			
ETC INC.	SHEET NO.	DATE																			
PINELLAS PARK, FLA. 33781 U.S.A.	1 OF 1	01/01/23																			
DRAFT WHERE APPLICABLE MUST REMAIN WITHIN DIMENSIONS		PART NO. SEE TABLE																			
<table border="1"> <tr> <td>DRWG. BY</td> <td>EDB</td> <td>CHK'D. BY</td> <td>HEB</td> </tr> <tr> <td>APP'D. BY</td> <td>RWD</td> <td>SCALE</td> <td>NO: NE</td> </tr> </table>		DRWG. BY	EDB	CHK'D. BY	HEB	APP'D. BY	RWD	SCALE	NO: NE	<table border="1"> <tr> <td>DRWG. NO.</td> <td>SD-19193-016</td> </tr> </table>		DRWG. NO.	SD-19193-016								
DRWG. BY	EDB	CHK'D. BY	HEB																		
APP'D. BY	RWD	SCALE	NO: NE																		
DRWG. NO.	SD-19193-016																				
FILE NAME SD19193016 DGN		THIS DRAWING CONTAINS INFORMATION THAT IS PROPRIETARY TO MOLEX-ETC INC. AND SHOULD NOT BE USED WITHOUT WRITTEN PERMISSION.																			
		DIV. SIZE ET B																			

- NOTES:**
- ① MAT'L: COPPER
PLATING: ELECTRO-TIN (.0003 MIN.)
 - ② BRAZED SEAM



STUD SIZES: ($\pm .005$)

- 02 = .094
- 04 = .119
- 06 = .146
- 08 = .173
- 10 = .198
- 14 = .265
- 56 = .328
- 38 = .390
- 209 = .209

"UL" LISTING *E32244
 "CSA" LISTING *18689

WIRE SIZE: 22-18 AWG
 .25-1.5 MM²

ALL DIMENSIONS = $\frac{\text{INCHES}}{\text{MM}}$

PART NUMBER	"W"		"C"		"L"		"ID"		AVAILABLE STUD SIZES	STOCK THICKNESS	
	$\pm .010$	MAX.	MIN.	MAX.	MIN.	MIN.					
AA-320-	$\frac{.225}{5.72}$	$\frac{.484}{12.29}$	$\frac{.157}{3.99}$	$\frac{.484}{12.29}$	$\frac{.062}{1.57}$		02, 04, 06	$\frac{.028 \pm .001}{.71}$			
AA-321-	$\frac{.312}{7.93}$	$\frac{.641}{16.28}$	$\frac{.270}{6.86}$	$\frac{.641}{16.28}$	$\frac{.062}{1.57}$		06, 08, 10, 209	$\frac{.028 \pm .001}{.71}$			
AA-322-	$\frac{.467}{11.86}$	$\frac{.835}{21.21}$	$\frac{.386}{9.80}$	$\frac{.835}{21.21}$	$\frac{.062}{1.57}$		10, 14, 56	$\frac{.028 \pm .001}{.71}$			
AA-326-	$\frac{.534}{13.56}$	$\frac{1.034}{26.26}$	$\frac{.552}{14.02}$	$\frac{1.034}{26.26}$	$\frac{.054}{1.37}$		10, 14, 56, 38	$\frac{.031 \pm .001}{.79}$			
AA-332-	$\frac{.254}{6.45}$	$\frac{.582}{14.78}$	$\frac{.240}{6.10}$	$\frac{.582}{14.78}$	$\frac{.062}{1.57}$		04, 06, 08	$\frac{.028 \pm .001}{.71}$			
DIMENSIONAL TOLERANCES UNLESS OTHERWISE SPECIFIED		REFERENCE	SCALE: NTS	DATE	TITLE:						
FRAC.	DEC.	ANG.	DRWN. BY: JJ	11-27-84	RING TONGUE TERMINAL						
±	±	±	CHKD. BY: GZ	11-30-84	VERSAKRIMP 300-SERIES						
			APPRD. BY:		EIC ^{mo} lex _{INCORPORATED}						
					DWG. NO. A CUSTOMER DWG.						