

Distributed by:

**JAMECO**<sup>®</sup>  
ELECTRONICS

**www.Jameco.com ♦ 1-800-831-4242**

The content and copyrights of the attached  
material are the property of its owner.

Jameco Part Number 517931

<b>Material:</b>						<b>Insulkrimp®</b>		
<b>Copper</b>						<b>(PVC Insulation)</b>		
Wire Range AWG	Loose Piece Order No.	Mylar Tape Order No.	ID	OD	Maximum Length	Loose Piece Order No.	Mylar Tape Order No.	Maximum Length
18-22 (0.80-0.35)	19189-0002	19189-0004	1.40 (.056)	3.40 (.135)	14.70 (.580)	19154-0004	19154-0006	24.40 (.960)
						19154-0011*	19154-0012*	26.30 (1.035)
14-16 (2.00-1.30)	19189-0008	19189-0010	2.10 (.083)	4.10 (.160)	14.70 (.580)	19154-0015	19154-0017	24.80 (.975)
						19154-0023*	19154-0024*	27.40 (1.080)
10-12 (5.00-3.30)	19189-0015	19189-0017	3.30 (.129)	5.60 (.220)	14.90 (.585)	19154-0028	19154-0030	28.80 (1.135)
						19154-0037*	19154-0038*	33.10 (1.305)

<b>Material:</b>						<b>Nylakrimp®</b>		
<b>Copper</b>						<b>(Nylon Insulation)</b>		
Wire Range AWG	Loose Piece Order No.	Mylar Tape Order No.	ID	OD	Maximum Length	Loose Piece Order No.	Mylar Tape Order No.	Maximum Length
18-22 (0.80-0.35)	19215-0009*	19215-0011*	1.50 (.059)	3.30 (.130)	17.10 (.675)	19202-0013*	19202-0016*	26.30 (1.035)
14-16 (2.00-1.30)	19215-0018*	19215-0115*	2.30 (.091)	4.10 (.160)	17.10 (.675)	19202-0031*	19202-0035*	27.40 (1.080)
10-12 (5.00-3.30)	19215-0028*	19215-0030*	3.50 (.138)	5.70 (.223)	21.00 (.827)	19202-0049*	19202-0051*	33.00 (1.300)

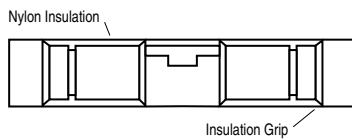
\* Part has seamless barrel instead of butted seam.

## BUTT SPLICES

Insulkrimp w/seamless Barrel (PVC Insulation)					Versakrimp w/seamless Barrel				
Wire Size AWG	Loose Piece Order No.	Mylar Tape Order No.	Maximum Length	Max. Wire Insulation Dia.	Loose Piece Order No.	Mylar Tape Order No.	ID Minimum	OD Maximum	Maximum Length
8	19154-0041	19154-0042	38.40 (1.510)	9.80 (.385)	19215-0034	19215-0035	4.20 (.165)	7.50 (.295)	21.90 (.864)
6	19154-0045		47.10 (1.855)	11.20 (.440)	19215-0040		5.80 (.230)	9.50 (.374)	26.50 (1.045)
4	19154-0048		51.80 (2.036)	13.10 (.515)	19215-0045		7.00 (.277)	11.60 (.457)	29.30 (1.155)
2	19154-0049		32.40 (1.277)	16.50 (.650)	19215-0046		9.10 (.357)	13.70 (.538)	32.50 (1.280)
1/0					19215-0047*		11.20 (.439)	15.70 (.620)	36.60 (1.440)
2/0					19215-0048*		12.60 (.496)	17.70 (.697)	36.60 (1.440)
3/0					19205-0012*		13.80 (.545)	19.30 (.760)	39.10 (1.540)
4/0					19205-0013*		15.80 (.621)	21.80 (.860)	39.10 (1.540)

Nylakrimp w/seamless Barrel (Nylon Insulation)			
Wire Size AWG	Loose Piece Order No.	Maximum Length	Max. Wire Insulation Dia.
8	19202-0054	36.60 (1.440)	6.70 (.265)
6	19202-0055	45.50 (1.790)	8.80 (.345)
4	19202-0056	51.80 (2.040)	10.90 (.430)

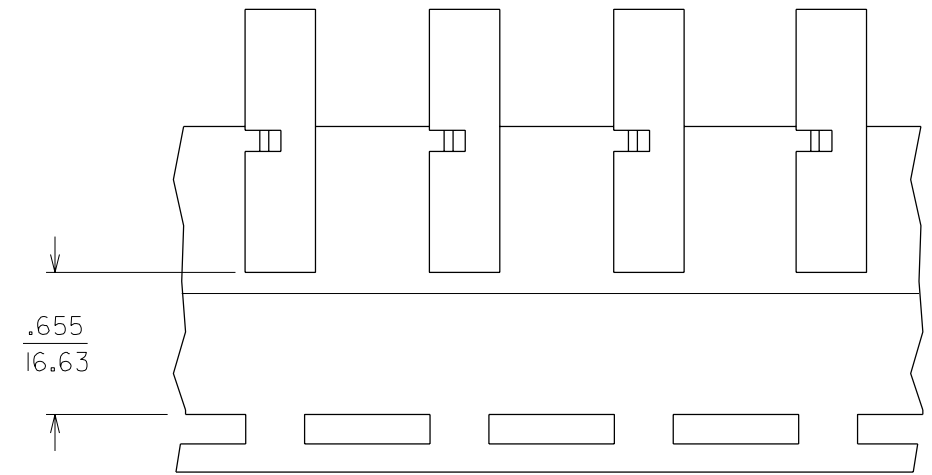
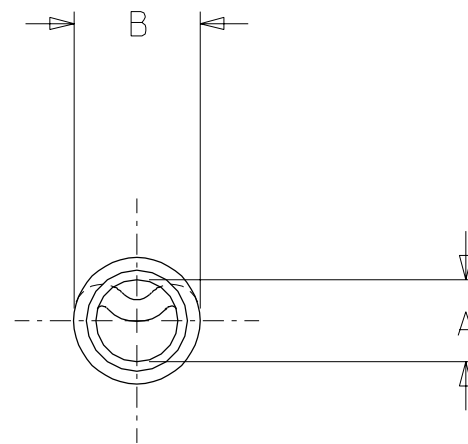
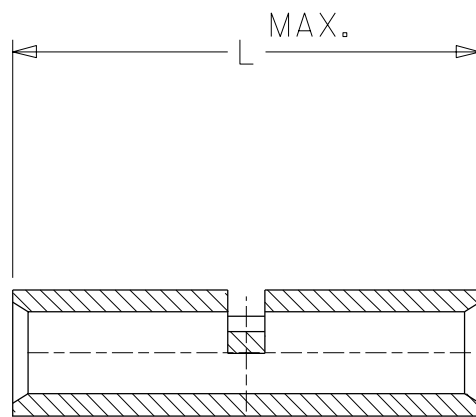
## AVIKRIMP® BUTT SPLICES



Wire Range AWG	Loose Piece Order No.	Mylar Tape Order No.	Maximum Length (in.)	Maximum Wire Insulation Diameter (in.)	Insulation Color
18-22 (0.80-0.35)	19199-0013	19199-0002	1.260	.140	Red
14-16 (2.00-1.30)	19199-0003	19199-0004	1.260	.170	Blue
10-12 (5.00-3.30)	19199-0005	19199-0006	1.620	.228	Yellow

\* Seamless barrel ID-OD dimensions denote averages

MATERIAL NUMBER	ALTERNATE NUMBER	"L" MAX	"A" MIN.	"B"	PACKAGING
192150009	AS-345	.675 (17.10)	.059 (1.50)	.130 (3.30)	LOOSE PIECE
192150007	AS-332	.605 (15.37)	.059 (1.50)	.130 (3.30)	
192150012	AS-348	.635 (16.13)	.059 (1.50)	.130 (3.30)	
192150011	AS-345T	.675 (17.10)	.059 (1.50)	.130 (3.30)	TAPE MOUNTED



PARTS ON TAPE

NOTES:  
 1. MATERIAL: COPPER.  
 2. PLATING: ELECTRO-TIN.  
 3. ALL DIMENSIONS IN INCHES/(MM).

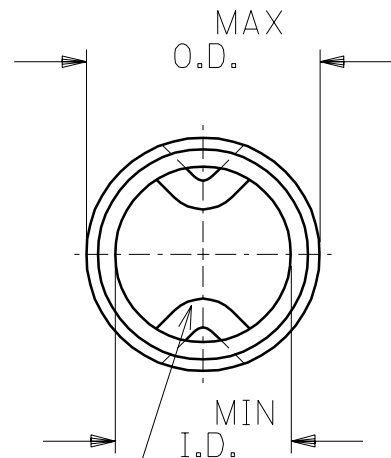
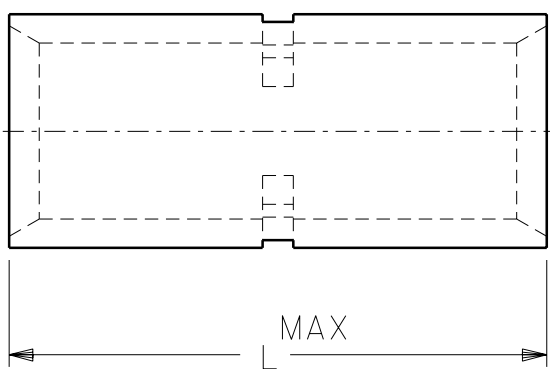
CUSTOMER DRAWING

A	NEW CUST. DWG. ETC2001-0196 2000/11/17 EDB
LTR.	REVISIONS

DIMENSIONS SHOWN (METRIC) INCH		REVISE ONLY ON CAD SYSTEM																			
UNLESS OTHERWISE SPECIFIED TOLERANCES: ANGULAR ± 1/2°		TITLE BUTT CONNECTOR SEAMLESS INSULKRIMP 22-18 AWG																			
	<table border="1"> <thead> <tr> <th></th> <th>INCH</th> <th>METRIC</th> </tr> </thead> <tbody> <tr> <td>3 PLACE</td> <td>± .005</td> <td>± ---</td> </tr> <tr> <td>2 PLACE</td> <td>± .01</td> <td>± 0.13</td> </tr> <tr> <td>1 PLACE</td> <td>± ---</td> <td>± 0.25</td> </tr> </tbody> </table>		INCH	METRIC	3 PLACE	± .005	± ---	2 PLACE	± .01	± 0.13	1 PLACE	± ---	± 0.25	<table border="1"> <tr> <td> ETC INC.</td> <td>SHEET NO.</td> <td>DATE</td> </tr> <tr> <td>PINELLAS PARK, FLA. 33781 U.S.A.</td> <td>1 OF 1</td> <td>00/09/29</td> </tr> </table>		ETC INC.	SHEET NO.	DATE	PINELLAS PARK, FLA. 33781 U.S.A.	1 OF 1	00/09/29
	INCH	METRIC																			
3 PLACE	± .005	± ---																			
2 PLACE	± .01	± 0.13																			
1 PLACE	± ---	± 0.25																			
ETC INC.	SHEET NO.	DATE																			
PINELLAS PARK, FLA. 33781 U.S.A.	1 OF 1	00/09/29																			
DRAFT WHERE APPLICABLE MUST REMAIN WITHIN DIMENSIONS		PART NO. SEE TABLE																			
DRWG. BY EDB	CHK'D. BY HEB	DRWG. NO. SD-19215-001																			
APP'D. BY RWD	SCALE NO:NE	FILE NAME SD19215001 DGN	DIV. SIZE ET B																		
THIS DRAWING CONTAINS INFORMATION THAT IS PROPRIETARY TO MOLEX-ETC INC. AND SHOULD NOT BE USED WITHOUT WRITTEN PERMISSION.																					

PART NO.	WIRE SIZE	I.D. MIN.	O.D. MAX.	"L" MAX.	WIRE STOP QTY.
D-354	8	.165	.295	.864	ONE
E-362	6	.230	.374	1.045	ONE
F-364	4	.277	.457	1.155	ONE
G-372	2	.357	.538	1.280	ONE
H-383	1/0	.439	.620	1.440	TWO
J-388	2/0	.496	.697	1.440	TWO
K-393	3/0	.554	.760	1.540	TWO
L-378	4/0	.621	.860	1.540	TWO

DRWG. NO. CD-31003



(A)  
WIRE STOP SEE CHART FOR QUANTITY

A	ADDED WIRE STOP INFORMATION ETC60355 3/11 RCM
LTR.	REVISIONS

DIMENSIONS SHOWN (METRIC) INCH	
UNLESS OTHERWISE SPECIFIED TOLERANCES: ANGULAR ± 1/2°	
	INCH      METRIC
3 PLACE	± .005    ± ---
2 PLACE	± .01      ± 0.13
1 PLACE	± ---     ± 0.25
DRAFT WHERE APPLICABLE MUST REMAIN WITHIN DIMENSIONS	
DRWG. BY RCM	CHK'D. BY JM
APP'D. BY FP	SCALE NO:NE

REVISE ONLY ON CAD SYSTEM			
TITLE VERSAKRIMP BUTT CONNECTORS			
molex ETC INC. PINELLAS PARK, FLA. 33781 U.S.A.		SHEET NO.	DATE 94/03/17
PART NO. SEE CHART		DRWG. NO. CD-31003	
FILE NAME CD13003 CST	THIS DRAWING CONTAINS INFORMATION THAT IS PROPRIETARY TO MOLEX-ETC INC. AND SHOULD NOT BE USED WITHOUT WRITTEN PERMISSION.		DIV.    SIZE A