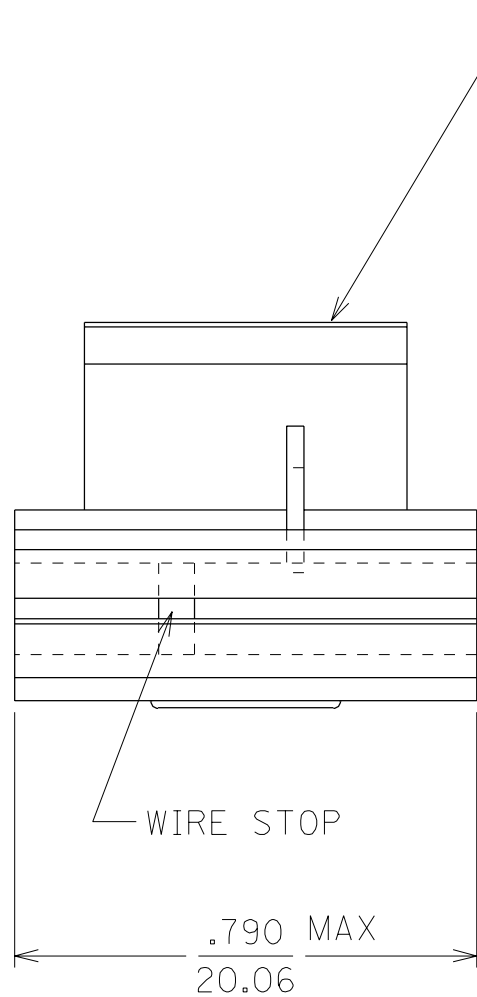
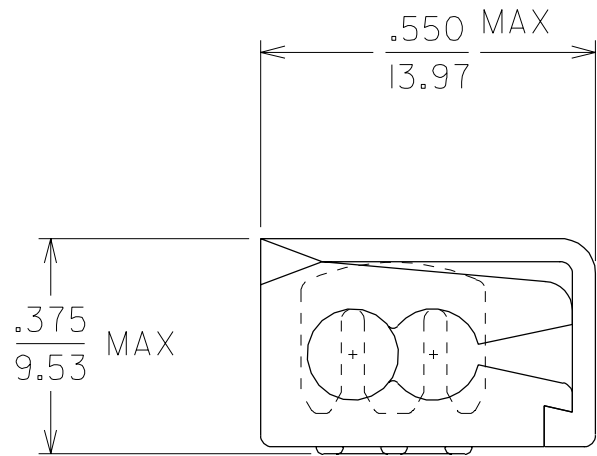
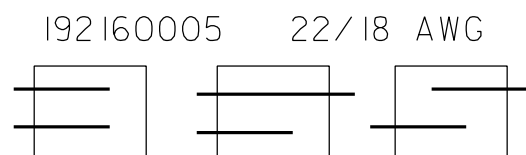
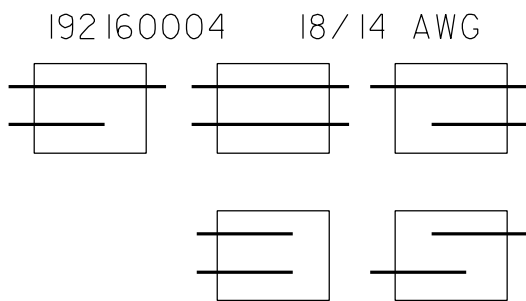
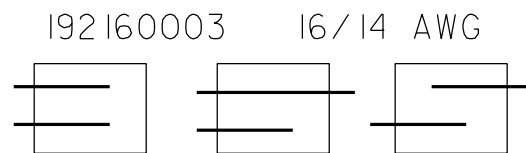
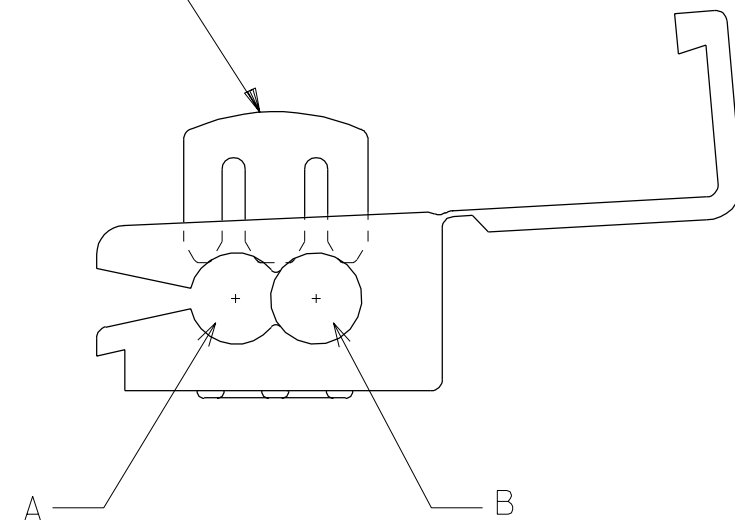


MATERIAL NUMBER	ALTERNATE NUMBER	WIRE SIZE	STOP	COLOR	HOLE "A"	HOLE "B"
192160003	ML-1614	16-14	YES	BLUE	.130 (3.30)	.170 (4.06)
192160004	ML-1814	18-14	NO	WHITE	.130 (3.30)	.140 (3.56)
192160005	ML-2218	22-18	YES	RED	.130 (3.30)	.160 (4.06)



HOUSING MATERIAL: POLYPROPYLENE

BARB MATERIAL: BRASS  
PLATING: ELECTRO-TIN



POSSIBLE WIRE CONFIGURATIONS

A	RELEASE NEW DOC. ETC2001-0233 00/12/15 EDB
LTR.	REVISIONS

CUSTOMER DRAWING

DIMENSIONS SHOWN (METRIC) INCH		REVISE ONLY ON CAD SYSTEM																			
UNLESS OTHERWISE SPECIFIED TOLERANCES: ANGULAR ± 1/2°		TITLE MULTI-LOCK																			
<table border="1"> <thead> <tr> <th></th> <th>INCH</th> <th>METRIC</th> </tr> </thead> <tbody> <tr> <td>3 PLACE</td> <td>± .005</td> <td>± ---</td> </tr> <tr> <td>2 PLACE</td> <td>± .01</td> <td>± 0.13</td> </tr> <tr> <td>1 PLACE</td> <td>± ---</td> <td>± 0.25</td> </tr> </tbody> </table>			INCH	METRIC	3 PLACE	± .005	± ---	2 PLACE	± .01	± 0.13	1 PLACE	± ---	± 0.25	<table border="1"> <tr> <td><b>molex</b> ETC INC.</td> <td>SHEET NO.</td> <td>DATE</td> </tr> <tr> <td>PINELLAS PARK, FLA. 33781 U.S.A.</td> <td>1 OF 1</td> <td>00/11/22</td> </tr> </table>		<b>molex</b> ETC INC.	SHEET NO.	DATE	PINELLAS PARK, FLA. 33781 U.S.A.	1 OF 1	00/11/22
	INCH	METRIC																			
3 PLACE	± .005	± ---																			
2 PLACE	± .01	± 0.13																			
1 PLACE	± ---	± 0.25																			
<b>molex</b> ETC INC.	SHEET NO.	DATE																			
PINELLAS PARK, FLA. 33781 U.S.A.	1 OF 1	00/11/22																			
DRAFT WHERE APPLICABLE MUST REMAIN WITHIN DIMENSIONS		PART NO. SD-19216-003																			
DRWG. BY: EDB	CHK'D. BY: HEB	FILE NAME: SD19216003 DGN	THIS DRAWING CONTAINS INFORMATION THAT IS PROPRIETARY TO MOLEX-ETC INC. AND SHOULD NOT BE USED WITHOUT WRITTEN PERMISSION.																		
APP'D. BY: RWD	SCALE: NO:NE	DIV. ET	SIZE B																		