

Distributed by:

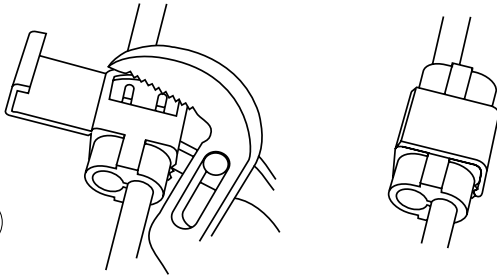
JAMECO[®]
ELECTRONICS

www.Jameco.com ♦ 1-800-831-4242

The content and copyrights of the attached
material are the property of its owner.

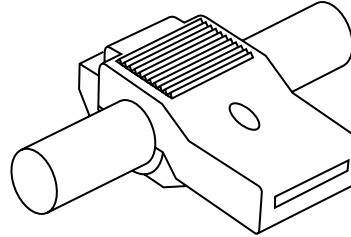
Jameco Part Number 517982

Multi-Lock



Wire Range AWG (mm ²)	Order No.	Possible Layouts			
18-22 (0.80-0.35)	192160005				
14-18 (2.00-0.80)	192160004				
14-18 (2.00-0.80)	192160003				
10-12 (5.00-3.30)	192160002				

Ultimate Wire Tap



Self-tapping (IDC) Tap-And-Run connectors

The quick, convenient Multi-Lock connectors have many uses. Using only ordinary channel-lock pliers, these color-coded connectors make quick, reliable, pre-insulated splices without stripping, twisting, soldering or the need for special tools.

They will tap-splice, pigtail-splice, parallel splice or in-line splice insulated Copper wire conductors for a wide range of applications.

Automotive: automobile, bus, truck and trailer wiring for lights, horns, gauges and speakers, etc.

Mobile: boat wiring systems, trailer wiring, mobile homes and recreational vehicles such as campers and ATV's.

In the Home and Office: shop equipment, burglar and fire alarms.

The Wire Tap makes tapping into an existing wire quick, easy and reliable. This Tap-And-Run splice is actually a fully insulated female quick disconnect that can be spliced onto a wire and then mated with a fully insulated* male quick disconnect, all without stripping, twisting, soldering or the need for special tools.

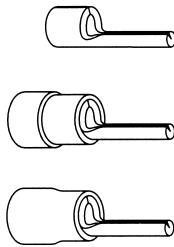
Wire Range AWG	Order No.	Insulation Color
18-22 (0.80-0.35)	19216-0011	Red
14-18 (2.00-0.80)	19216-0010	Blue
12 (3.30)	19216-0009	Yellow

* Also mates with partially or noninsulated quick disconnects

WIRE PIN TERMINALS

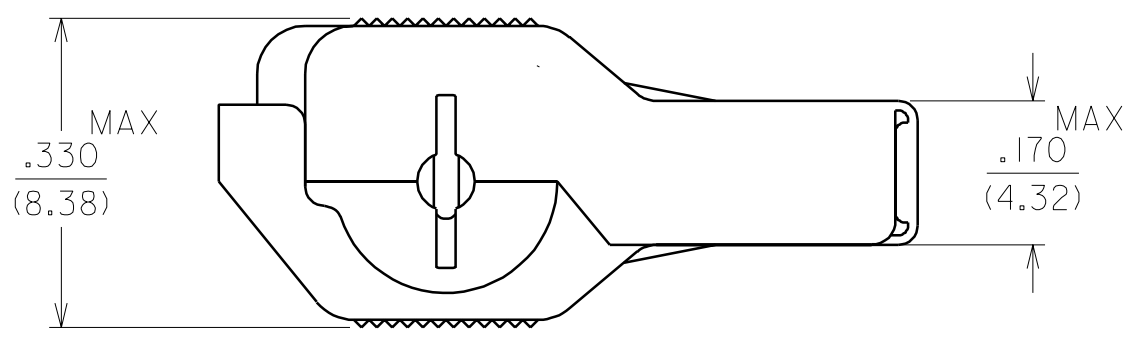
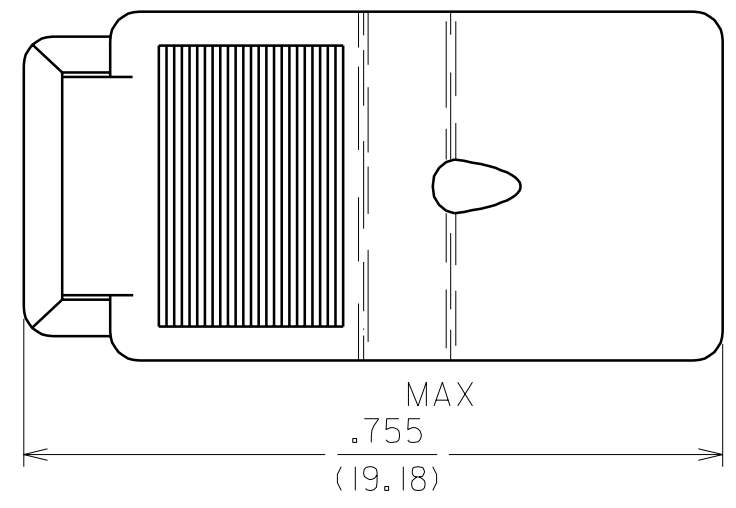
Wire Pin Terminals offer quick and easy connections in applications where set screws or clamps are used to make electrical contact with the wire. Wire Pins simplify the insertion of stranded wire into European style terminal blocks and other components, by preventing wire strand foldback, assuring a proper electrical contact and a stronger connection than just wire alone.

- Fits all popular pin-type (European) terminal blocks
- Available in wire sizes 10 to 22 AWG noninsulated, PVC insulated and nylon insulated
- Provides a reliable, vibration-proof connection
- Allows for quick wire connects and disconnects from components
- Can be used/clamped repeatedly without damaging the pin
- Made of pure electrolytic Copper
- Electro Tin plated per Mil-T-10727
- Conveniently allows for multiple wires to be inserted into 1 terminal block contact

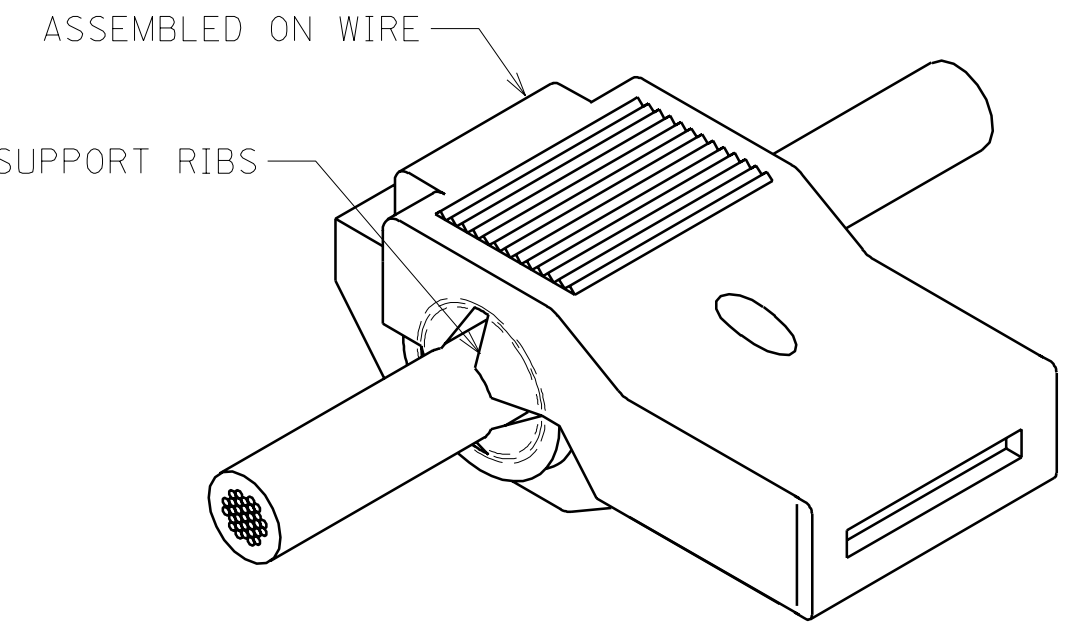
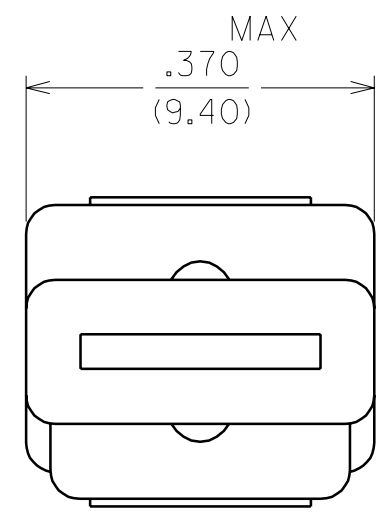


Wire Range AWG	Loose Piece Order No.	Mylar Tape Order No.	Insulation Color	Max. Insul. Dia. (in.)	Overall Length (in.)	Pin Length (in.)	Pin Dia. (in.)
Krimptite							
18-22 (0.80-0.35)	19211-0003	19211-0004			.670	.370	.080
14-16 (2.00-1.30)	19211-0005	19211-0006			.670	.370	.080
10-12 (5.00-3.30)	19211-0001	19211-0002			.820	.460	.120
Insulkrimp							
18-22 (0.80-0.35)	19212-0003	19212-0004	Red	.145	.890	.370	.080
14-16 (2.00-1.30)	19212-0005	19212-0006	Blue	.175	.890	.370	.080
10-12 (5.00-3.30)	19212-0001	19212-0002	Yellow	.250	1.140	.460	.120
Avikrimp							
18-22 (0.80-0.35)	19213-0009	19213-0010	Red	.140	.860	.370	.080
14-16 (2.00-1.30)	19213-0011	19213-0012	Blue	.170	.930	.370	.080
10-12 (5.00-3.30)	19213-0007	19213-0008	Yellow	.225	1.130	.460	.120

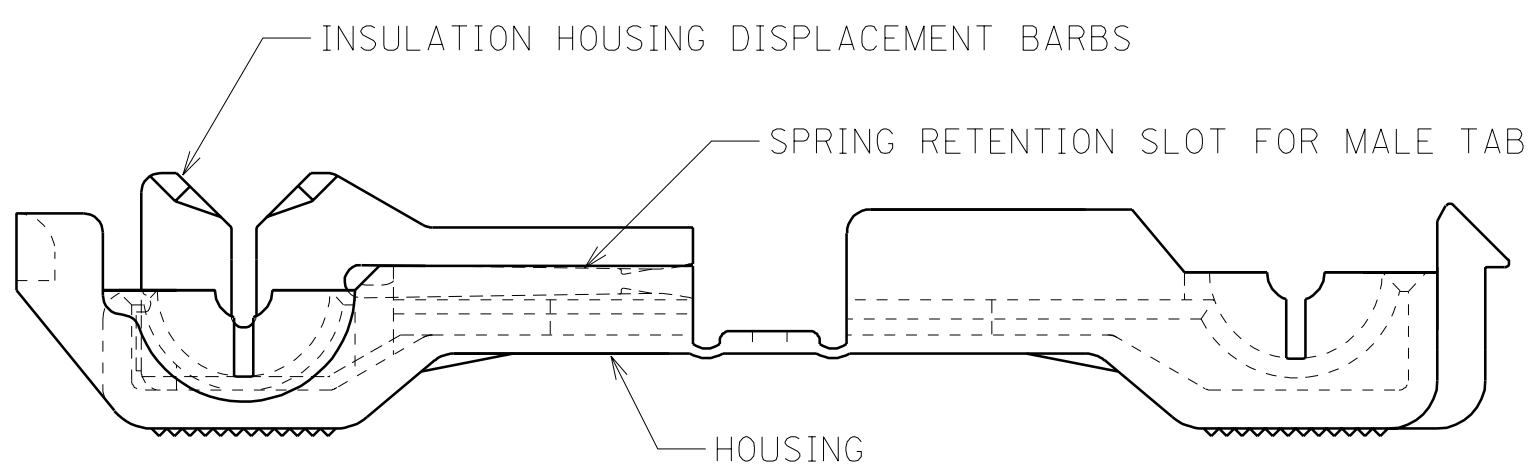
MATERIAL NO.	ALTERNATE NO.	WIRE RANGE AWG(mm2)	HOUSING COLOR
192160011	WT-2218	22-18(.34-.75)	RED
192160010	WT-1814	18-14(.75-2.5)	BLUE
192160009	WT-12	12(4.0)	YELLOW



CLOSED POSITION AFTER ASSEMBLY ON WIRE



- NOTES:
- MATERIALS
HOUSING: UNFILLED NYLON UL FLAMMABILITY
RATING 94V-2
COLOR: SEE TABLE
TERMINAL: COPPER ALLOY
 - FINISH
TERMINAL: TIN



OPEN POSITION PRIOR TO ASSEMBLY ON WIRE

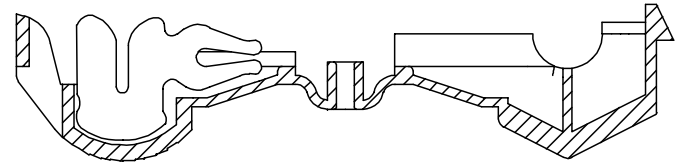
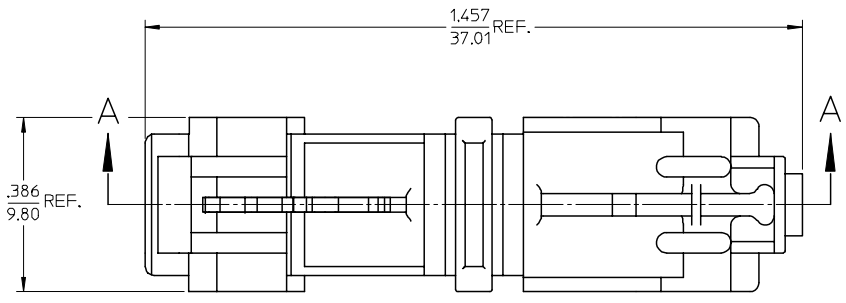
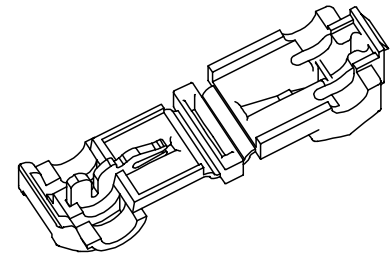
B	VOIDS DWG. WT-CD ETC2000-0001 HEB 99/7/2
A	SEE ECN* 1137 09/08/94 RCM
LTR.	REVISIONS

CUSTOMER DRAWING

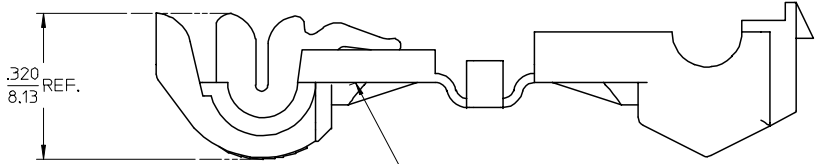
DIMENSIONS SHOWN (METRIC) INCH		REVISE ONLY ON CAD SYSTEM	
UNLESS OTHERWISE SPECIFIED TOLERANCES: ANGULAR ± 1/2°		TITLE WIRE TAP MULTIMATE	
	INCH	METRIC	
3 PLACE	± .005	± ---	
2 PLACE	± .01	± 0.13	
1 PLACE	± ---	± 0.25	
DRAFT WHERE APPLICABLE MUST REMAIN WITHIN DIMENSIONS			
DRWG. BY RCM	CHK'D. BY JM	SHEET NO. 1 OF 1	DATE 09/07/94
PART NO. SEE TABLE		DRWG. NO. SD-19216-001	
APP'D. BY FP	SCALE 5: 1	FILE NAME 19216001 SD	THIS DRAWING CONTAINS INFORMATION THAT IS PROPRIETARY TO MOLEX-ETC INC. AND SHOULD NOT BE USED WITHOUT WRITTEN PERMISSION.
		DIV. ETC	SIZE B

12 11 10 9 8 7 6 5 4 3 2 19216

ASSEMBLY MATERIAL NO.	ASSEMBLY ENG. NO.	WIRE RANGE MARKING (XXXXX)	HOUSING COLOR
192160017	WTB-1814	18-14 AWG	BLUE
192160018	WTB-22-18	22-18 AWG	RED
192160019	WTB-12	12 AWG	YELLOW



SECTION A-A



INSERT TO BE FULLY SEATED AGAINST FLOOR

SALES DRAWING

RELEASE TO W/MANAGER EC NO: ETC2004-0058 DRWN: DMYRICK 2003/09/05 CHKD: RWD 2003/09/05 APPR: RDEROSS 2003/09/08	QUALITY SYMBOLS	GENERAL TOLERANCES (UNLESS SPECIFIED)	SCALE 5:1	DESIGN UNITS INCH	THIRD ANGLE PROJECTION	REVISE ON CAD ONLY														
	▼ -0 ▽ -0	<table border="1"> <thead> <tr> <th></th> <th>mm</th> <th>INCH</th> </tr> </thead> <tbody> <tr> <td>4 PLACES</td> <td>± .005</td> <td>± .0005</td> </tr> <tr> <td>3 PLACES</td> <td>± .005</td> <td>± .0005</td> </tr> <tr> <td>2 PLACES</td> <td>± .005</td> <td>± .0005</td> </tr> <tr> <td>1 PLACE</td> <td>± .005</td> <td>± .0005</td> </tr> </tbody> </table>		mm	INCH	4 PLACES	± .005	± .0005	3 PLACES	± .005	± .0005	2 PLACES	± .005	± .0005	1 PLACE	± .005	± .0005	DIMENSION STYLE IN/MM DRAWN BY DATE DLM 03/06/26 CHECKED BY DATE RWD 03/06/26 APPROVED BY DATE RWD 03/06/26	TITLE WIRE TAP TERMINAL ASSEMBLY	
			mm	INCH																
		4 PLACES	± .005	± .0005																
		3 PLACES	± .005	± .0005																
2 PLACES	± .005	± .0005																		
1 PLACE	± .005	± .0005																		
ANGULAR ±1/2° DRAFT WHERE APPLICABLE MUST REMAIN WITHIN DIMENSIONS	MOLEX INCORPORATED (SEE CHART) SD-19216-007																			
THIS DRAWING CONTAINS INFORMATION THAT IS PROPRIETARY TO MOLEX INCORPORATED AND SHOULD NOT BE USED WITHOUT WRITTEN PERMISSION	SHEET NO. 1 OF 1																			

11 10 9 8 7 6 5 4 3 2 1