

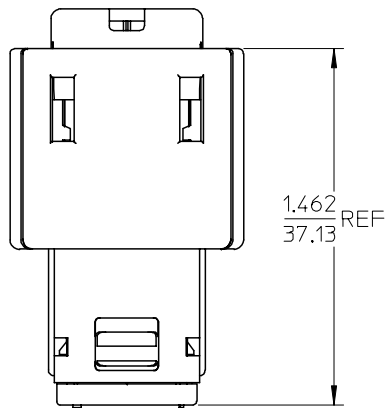
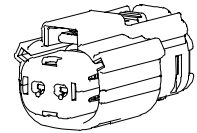
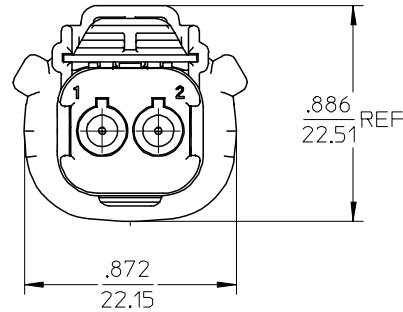
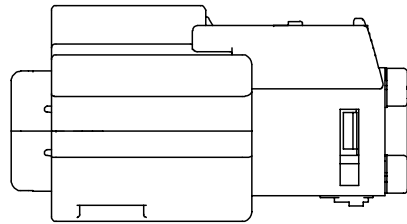
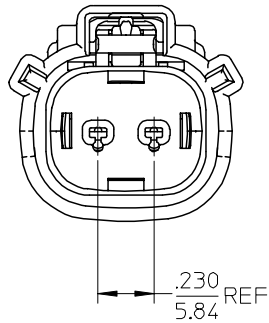
Distributed by:

JAMECO[®]
ELECTRONICS

www.Jameco.com ♦ 1-800-831-4242

The content and copyrights of the attached
material are the property of its owner.

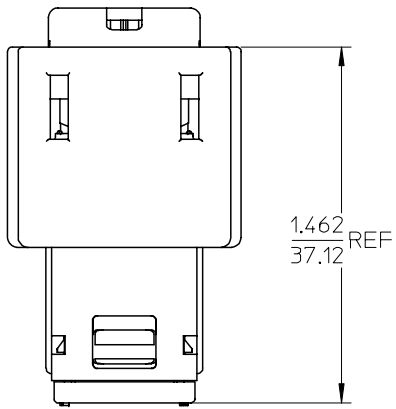
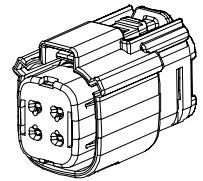
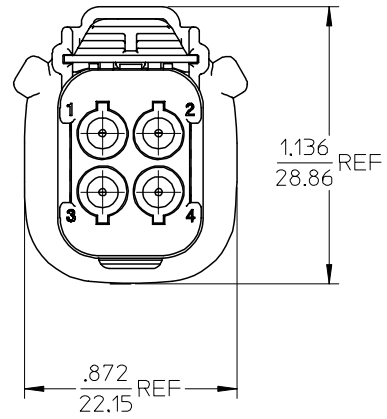
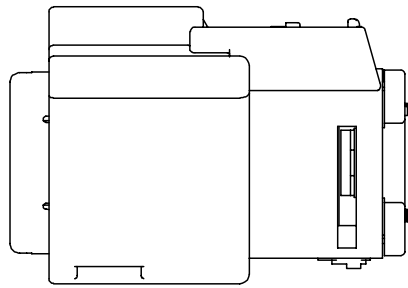
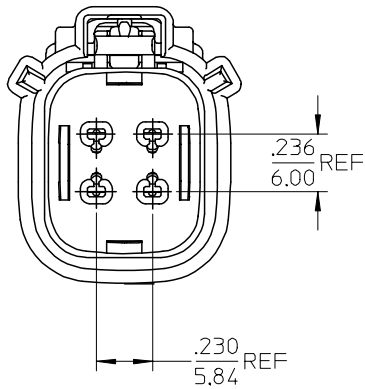
Jameco Part Number 518133



②	194180017	2	16-14	NO
②	194180016	2	22-18	
	194180007	2	16-14	YES
	194180008	2	22-18	
	MATERIAL NUMBER	CIRCUIT SIZE	UL WIRE AWG	CPA

EC NO: ETC2005-0046 DRWN:DMYRICK 2004/08/31 CHKD:JPWLICK 2004/09/01 APPR:RDEROSS 2004/09/01	QUALITY SYMBOLS	GENERAL TOLERANCES (UNLESS SPECIFIED)		SCALE 1:1	DESIGN UNITS INCH	THIRD ANGLE PROJECTION	REVISE ON CAD ONLY
	▽ = 0 ◻ = 0	4 PLACES ± --- ± --- 3 PLACES ± --- ± .015 2 PLACES ± 0.38 ± --- 1 PLACE ± --- ± --- ANGULAR ± 1 °	mm	INCH	DIMENSION STYLE IN/MM		TITLE 2 WAY RECEPTACLE ASSEMBLY
REV	DESCRIPTION	DRAFT WHERE APPLICABLE MUST REMAIN WITHIN DIMENSIONS		DRAWN BY BRUPERT	DATE 12/05/02	MATERIAL NO. SEE CHART	
				CHECKED BY JPWLICK	DATE 12/06/02	DOCUMENT NO. SD-19418-002	
				APPROVED BY RDEROSS	DATE 12/06/02	SHEET NO. 1 OF 1	
				THIS DRAWING CONTAINS INFORMATION THAT IS PROPRIETARY TO MOLEX INCORPORATED AND SHOULD NOT BE USED WITHOUT WRITTEN PERMISSION			

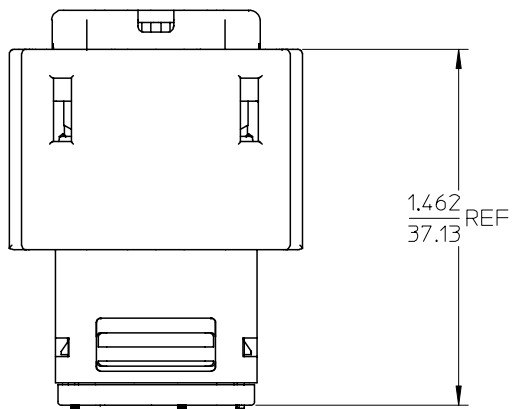
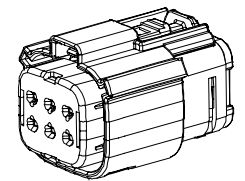
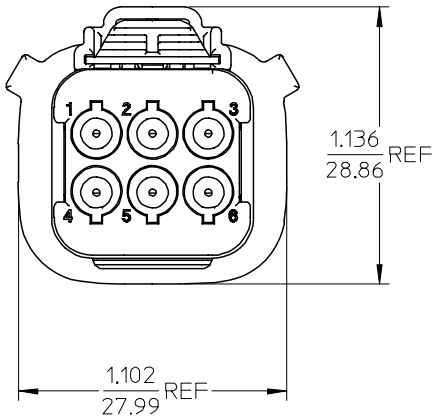
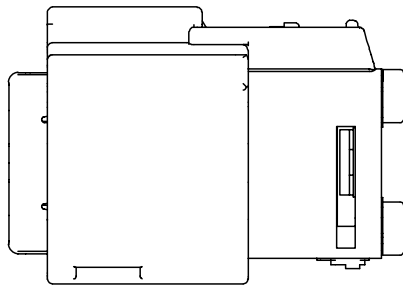
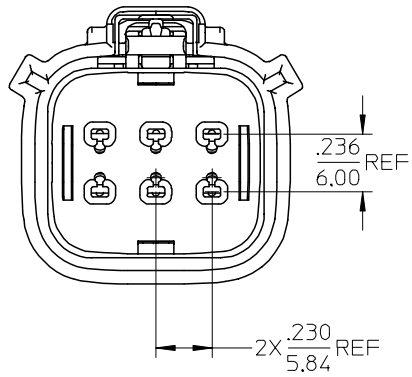
NOTES:
 1. ASSEMBLY BULK PACKAGED PER PK-19417-001.
 2. USE CONNECTOR WITH FEMALE CRIMP TERMINAL: SERIES 19420.



(B)	194180019	4	16-14	NO
(B)	194180018	4	22-18	
	194180004	4	16-14	YES
	194180005	4	22-18	
	MATERIAL NUMBER	CIRCUIT SIZE	UL WIRE AWG	CPA

NOTES:
 1. ASSEMBLY BULK PACKAGED PER PK-19417-001.
 2. USE CONNECTOR WITH FEMALE CRIMP TERMINAL: SERIES 19420.

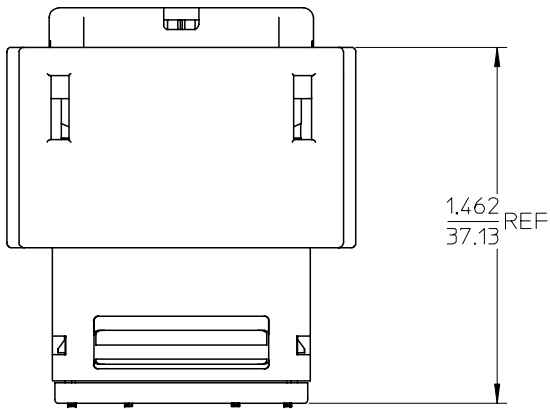
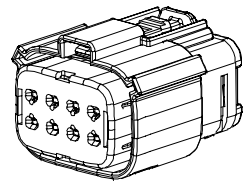
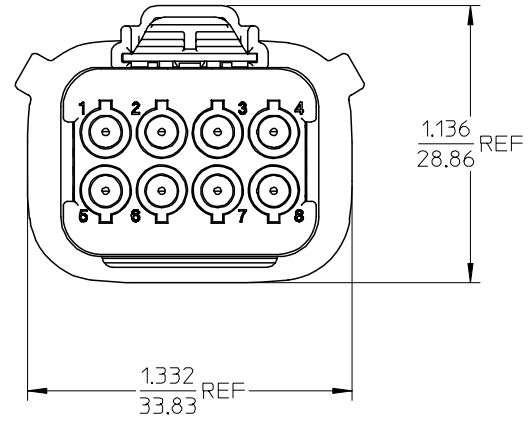
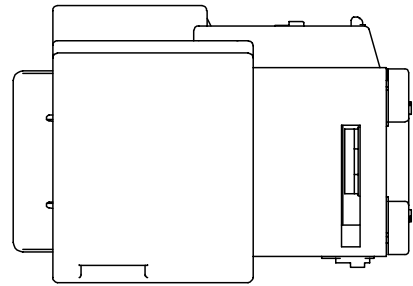
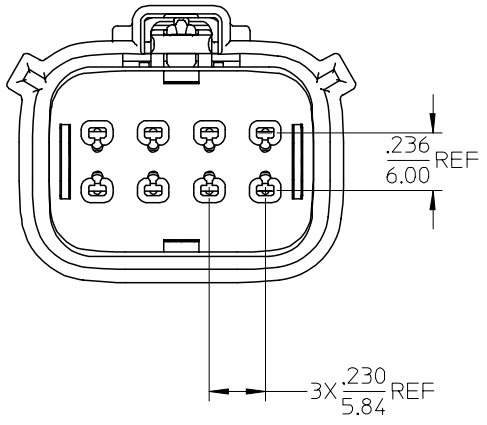
EC NO: ETC2005-0046 DRWN:DMYRICK 2004/08/31 CHKD:JPALWICK 2004/09/01 APPR:RDEROSS 2004/09/01	QUALITY SYMBOLS	GENERAL TOLERANCES (UNLESS SPECIFIED)		SCALE 2:1	DESIGN UNITS INCH	THIRD ANGLE PROJECTION	REVISE ON CAD ONLY
	▼ = 0 ▽ = 0	4 PLACES ± --- ± --- 3 PLACES ± --- ± .015 2 PLACES ± 0.38 ± --- 1 PLACE ± --- ± --- ANGULAR ± 1 °	mm INCH	DIMENSION STYLE IN/MM	TITLE 4 WAY RECEPTACLE ASSEMBLY		
DESCRIPTION	DRAFT WHERE APPLICABLE	MUST REMAIN WITHIN DIMENSIONS		DRAWN BY JPALWICK	DATE 02/07/12	MATERIAL NO. SEE CHART	
REV				CHECKED BY RDEROSS	DATE 02/07/13	DOCUMENT NO. SD-19418-001	
				APPROVED BY RDEROSS	DATE 02/07/13	SHEET NO. 1 OF 1	
				THIS DRAWING CONTAINS INFORMATION THAT IS PROPRIETARY TO MOLEX INCORPORATED AND SHOULD NOT BE USED WITHOUT WRITTEN PERMISSION			



②	194180021	6	16-14	NO
②	194180020	6	22-18	NO
	194180010	6	16-14	YES
	194180011	6	22-18	YES
	MATERIAL NUMBER	CIRCUIT SIZE	UL WIRE AWG	CPA

NOTES:
 1. ASSEMBLY BULK PACKAGED PER PK-19417-001.
 2. USE CONNECTOR WITH FEMALE CRIMP TERMINAL: SERIES 19420.

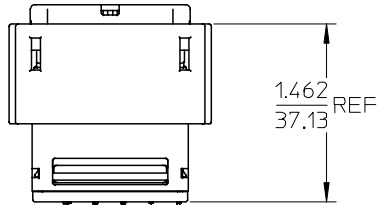
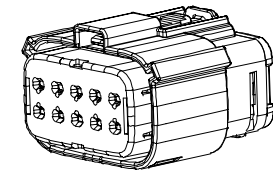
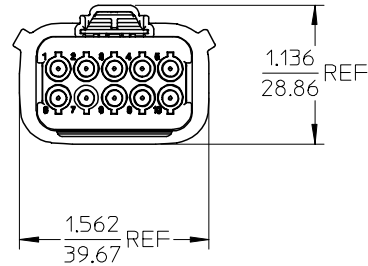
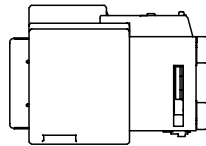
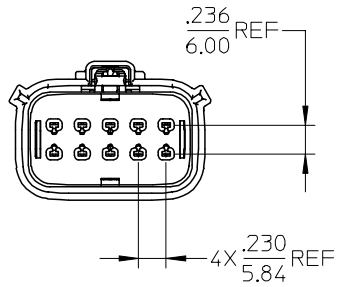
EC NO: ETC2005-0046 DRWN:DMYRICK 2004/08/31 CHKD:JPWLICK 2004/09/01 APPR:RDEROSS 2004/09/01	QUALITY SYMBOLS	GENERAL TOLERANCES (UNLESS SPECIFIED)		SCALE 1:1	DESIGN UNITS INCH	THIRD ANGLE PROJECTION	REVISE ON CAD ONLY
	▽ = 0 ◻ = 0	4 PLACES ± --- ± --- 3 PLACES ± --- ± .015 2 PLACES ± 0.38 ± --- 1 PLACE ± --- ± --- ANGULAR ± 1 °	mm INCH DIMENSION STYLE IN/MM	TITLE	6 WAY RECEPTACLE ASSEMBLY		
DESCRIPTION	DRAFT WHERE APPLICABLE	MUST REMAIN WITHIN DIMENSIONS		DRAWN BY BRUPERT	DATE 01/20/03	MATERIAL NO. SEE CHART	
REV				CHECKED BY JPWLICK	DATE 01/23/03	DOCUMENT NO. SD-19418-004	
				APPROVED BY RDEROSS	DATE 01/25/03	SHEET NO. 1 OF 1	
				THIS DRAWING CONTAINS INFORMATION THAT IS PROPRIETARY TO MOLEX INCORPORATED AND SHOULD NOT BE USED WITHOUT WRITTEN PERMISSION			



②	194180023	8	16-14	NO
②	194180022	8	22-18	NO
	194180002	8	16-14	YES
	194180001	8	22-18	YES
	MATERIAL NUMBER	CIRCUIT SIZE	UL WIRE AWG	CPA

NOTES:
 1. ASSEMBLY BULK PACKAGED PER PK-19417-001.
 2. USE CONNECTOR WITH FEMALE CRIMP TERMINAL: SERIES 19420.

EC NO: ETC2005-0046 DRWN:DMYRICK 2004/08/31 CHKD:JPWLICK 2004/09/01 APPR:RDEROSS 2004/09/01	QUALITY SYMBOLS ▼ = 0 ▽ = 0	GENERAL TOLERANCES (UNLESS SPECIFIED) <table border="1"> <tr> <th></th> <th>mm</th> <th>INCH</th> </tr> <tr> <td>4 PLACES</td> <td>± ---</td> <td>± ---</td> </tr> <tr> <td>3 PLACES</td> <td>± ---</td> <td>± .015</td> </tr> <tr> <td>2 PLACES</td> <td>± 0.38</td> <td>± ---</td> </tr> <tr> <td>1 PLACE</td> <td>± ---</td> <td>± ---</td> </tr> </table> ANGULAR ± 1 °		mm	INCH	4 PLACES	± ---	± ---	3 PLACES	± ---	± .015	2 PLACES	± 0.38	± ---	1 PLACE	± ---	± ---	SCALE 1:1 DESIGN UNITS INCH DIMENSION STYLE IN/MM	THIRD ANGLE PROJECTION REVISE ON CAD ONLY
		mm	INCH																
4 PLACES	± ---	± ---																	
3 PLACES	± ---	± .015																	
2 PLACES	± 0.38	± ---																	
1 PLACE	± ---	± ---																	
DESCRIPTION 8 WAY RECEPTACLE ASSEMBLY	DRAFT WHERE APPLICABLE MUST REMAIN WITHIN DIMENSIONS	DRAWN BY BRUPERT CHECKED BY JPWLICK APPROVED BY RDEROSS	DATE 12/06/02 DATE 12/06/02 DATE 12/06/02	TITLE 8 WAY RECEPTACLE ASSEMBLY MOLEX INCORPORATED MATERIAL NO. SEE CHART DOCUMENT NO. SD-19418-003															
REV B			SHEET NO. 1 OF 1 THIS DRAWING CONTAINS INFORMATION THAT IS PROPRIETARY TO MOLEX INCORPORATED AND SHOULD NOT BE USED WITHOUT WRITTEN PERMISSION	B															



②	194180025	10	16-14	NO
②	194180024	10	22-18	
	194180013	10	16-14	YES
	194180014	10	22-18	
	MATERIAL NUMBER	CIRCUIT SIZE	UL WIRE AWG	CPA

NOTES:

1. ASSEMBLY BULK PACKAGED PER PK-19417-001.
2. USE CONNECTOR WITH FEMALE CRIMP TERMINAL: SERIES 19420.

EC NO: ETC2005-0046 DRWN:DMYRICK 2004/08/31 CHKD:JPWLICK 2004/09/01 APPR:RDEROSS 2004/09/01	QUALITY SYMBOLS	GENERAL TOLERANCES (UNLESS SPECIFIED)		SCALE 1:1	DESIGN UNITS INCH	THIRD ANGLE PROJECTION	REVISE ON CAD ONLY
	▽ = 0 ▽ = 0	4 PLACES ± --- ± --- 3 PLACES ± --- ± .015 2 PLACES ± 0.38 ± --- 1 PLACE ± --- ± --- ANGULAR ± 1 °	mm	INCH	DIMENSION STYLE IN/MM		TITLE 10 WAY RECEPTACLE ASSEMBLY
REV	DESCRIPTION	DRAFT WHERE APPLICABLE MUST REMAIN WITHIN DIMENSIONS		DRAWN BY BRUPERT	DATE 01/22/03	MATERIAL NO. SEE CHART	
				CHECKED BY JPWLICK	DATE 01/23/03	DOCUMENT NO. SD-19418-005	
				APPROVED BY RDEROSS	DATE 01/25/03	SHEET NO. 1 OF 1	
THIS DRAWING CONTAINS INFORMATION THAT IS PROPRIETARY TO MOLEX INCORPORATED AND SHOULD NOT BE USED WITHOUT WRITTEN PERMISSION							



MX150/MX150L ASSEMBLY INSTRUCTIONS

RECEPTACLE ASSEMBLY

TERMINAL INSERTION

1. Begin assembly of the crimped female terminals into the receptacle housing by making sure the Terminal Position Assurance feature (TPA) is in the pre-locked position (See Figure 1). If it is not, insert the blade of a screwdriver into the slots in the TPA found adjacent to latch or opposite. Apply slight pressure and pry the TPA out until it clicks. You are now ready to insert terminals or circuit plugs.

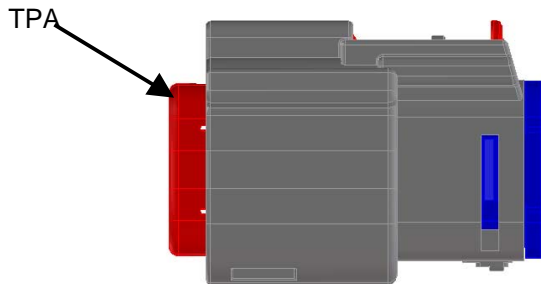


Figure 1: TPA in Pre-Lock Position

2. The terminal must be positioned correctly when inserted into the housing to assure proper latching and retention. Orient the key on the back of the female terminal with the keyway on the wire entry cavity in the rear of the housing (See Figure 2). Insert the terminal into the housing until it clicks or a slight pull back on the wire is met with resistance from terminal retention feature.

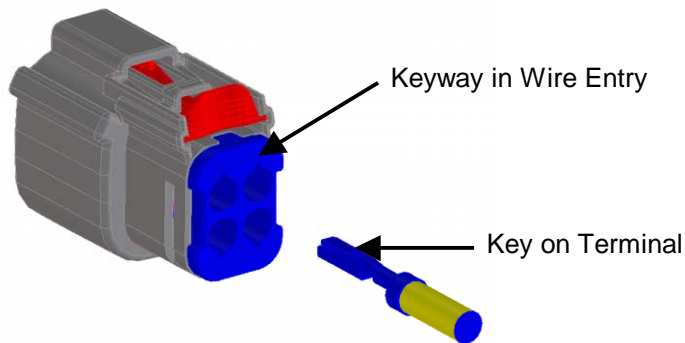


Figure 2: Terminal Orientation

REVISION: A	EGR/ECN INFORMATION: EC No: ETC2004-0125 DATE: 2003 / 12 / 17	TITLE: ASSEMBLY INSTRUCTIONS FOR MX150 & MX150L SEALED CONNECTOR SYSTEM	SHEET No. 1 of 4
DOCUMENT NUMBER: AS-19417-001	CREATED / REVISED BY: C.T.WALSH	CHECKED BY: J.PAWLICKI	APPROVED BY: R.DeROSS



MX150/MX150L ASSEMBLY INSTRUCTIONS

- Repeat Step 2 until all terminals are inserted into the housing. If using a circuit plug to seal an unused circuit, the same procedure as terminal insertion is applied. If a terminal is inadvertently assembled into the wrong position, use service tool to remove.
- When all terminals or circuit plugs are in their proper location, push down on TPA until it clicks into place and is roughly flush or on same level as edge of outer housing (See figure 3).

TPA Flush with
Outer Housing

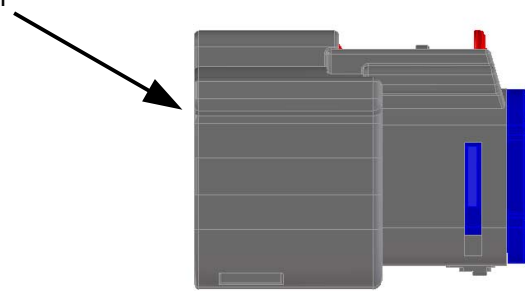


Figure 3: TPA in Locked Position

CONNECTOR POSITION ASSURANCE ACTIVATION

- After mating the plug and receptacle connectors, push the Connector Position Assurance feature (CPA) on the receptacle forward until it clicks or is as far forward towards mating end of receptacle as possible (See Figure 4). This will prevent accidental depression of latch and un-mating of connectors.

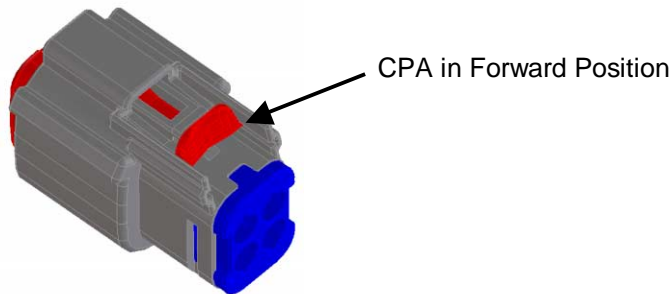


Figure 4: CPA in Locked Position

- To un-mate connectors, pull CPA towards rear or wire entry end of receptacle. While lightly pushing connectors together, depress latch and then pull the mated connectors apart.

REVISION: A	EGR/ECN INFORMATION: EC No: ETC2004-0125 DATE: 2003 / 12 / 17	TITLE: ASSEMBLY INSTRUCTIONS FOR MX150 & MX150L SEALED CONNECTOR SYSTEM	SHEET No. 2 of 4
DOCUMENT NUMBER: AS-19417-001	CREATED / REVISED BY: C.T.WALSH	CHECKED BY: J.PAWLICKI	APPROVED BY: R.DeROSS



MX150/MX150L ASSEMBLY INSTRUCTIONS

PLUG ASSEMBLY

TERMINAL INSERTION

1. Begin assembly of the crimped male terminals into the plug housing by making sure the Terminal Position Assurance feature (TPA) is in the pre-locked position (See Figure 5). Since the TPA is recessed in housing, the most accurate way to determine if it is in pre-lock position is to measure. In pre-locked position the dimension between plug housing face and TPA is approximately 0.500”(12,7mm). If it is not in pre-locked position, insert the tips of a needle nose pliers into the two “D” shaped holes in the center of the TPA. Carefully, pull gently on the TPA until it starts moving. Pull to first stop. **CAUTION: DO NOT PULL TPA COMPLETELY OUT OF HOUSING. THIS MAY BREAK RETENTION FEATURES AND RESULT IN REDUCED TPA RETENTION IN HOUSING.** You are now ready to insert terminals or circuit plugs.

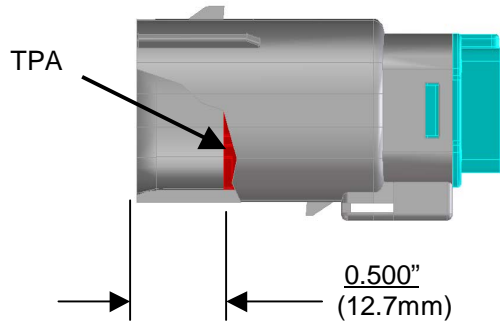


Figure 5: TPA in Pre-Locked Position

2. The terminal must be positioned correctly when inserted into the housing to assure proper latching and retention. Orient the key on the back of the male terminal with the keyway on the rear of the housing (See Figure 6). Insert the terminal into the housing until it clicks or a slight pull back on the wire is met with resistance from terminal retention feature.

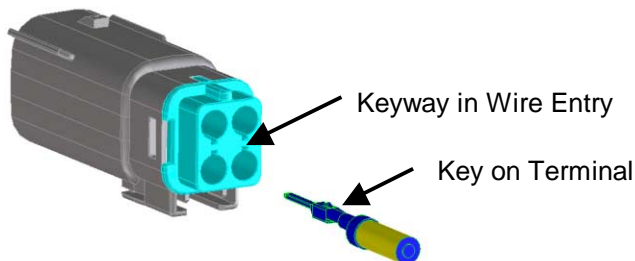


Figure 6: Terminal Orientation

REVISION: A	EGR/ECN INFORMATION: EC No: ETC2004-0125 DATE: 2003 / 12 / 17	TITLE: ASSEMBLY INSTRUCTIONS FOR MX150 & MX150L SEALED CONNECTOR SYSTEM	SHEET No. 3 of 4
DOCUMENT NUMBER: AS-19417-001	CREATED / REVISED BY: C.T.WALSH	CHECKED BY: J.PAWLICKI	APPROVED BY: R.DeROSS



MX150/MX150L ASSEMBLY INSTRUCTIONS

3. Repeat Step 2 until all terminals are inserted into the housing. If using a circuit plug to seal an unused circuit, the same procedure as terminal insertion is applied. If a terminal is inadvertently assembled into the wrong position, use service tool to remove.
4. When all terminals or circuit plugs are in their proper location, push down on TPA until it clicks into place and is now approximately 0.700”(17.8mm) from mating edge of outer housing (See figure 7).

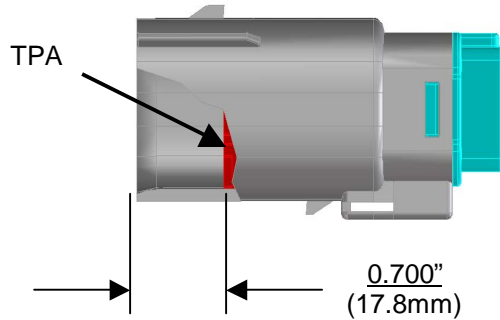


Figure 7: TPA in Locked Position

CONGRATULATIONS! YOU NOW HAVE ONE OF THE MOST RELIABLE, ENVIRONMENTALLY SEALED (IP67) CONNECTOR SYSTEMS AVAILABLE!

REVISION: A	EGR/ECN INFORMATION: EC No: ETC2004-0125 DATE: 2003 / 12 / 17	TITLE: ASSEMBLY INSTRUCTIONS FOR MX150 & MX150L SEALED CONNECTOR SYSTEM	SHEET No. 4 of 4
DOCUMENT NUMBER: AS-19417-001	CREATED / REVISED BY: C.T.WALSH	CHECKED BY: J.PAWLICKI	APPROVED BY: R.DeROSS