



**MX150L™ Sealed  
Connector System**





# MX150L™ Sealed Connector System

The pre-assembled, submersible MX150L is a high performance connector system suitable for challenging, rugged and harsh applications.

The MX150L sealed connector system is designed to meet the need for a rugged, environmentally sealed connector system supporting both low-level signal applications as well as power applications up to 40.0A, from on-engine automotive and marine applications to off-road construction equipment applications. The system is comprised of wire-to-wire, wire-to-panel and wire-to-board configurations.

These innovative mat-sealed connectors are based upon the 1.50 and 2.50mm (.059 and .098") blade-type terminals. This design eliminates the need to purchase, handle and crimp individual wire seals to lower applied cost. The mat-seal design is a single silicone-based seal with individual wire openings and a seal cap to protect, securely retain, and provide strain relief to the seal. The cost-effective connector design features all-in-one plug and receptacle housings with pre-assembled mat-wire and interfacial connector seals. Integral Terminal Position Assurance (TPA) and optional Connector Position Assurance (CPA) components eliminate

time-consuming and costly assembly operations. Completing the application is as simple as crimping the appropriate terminal, inserting the crimped terminal lead and seating the TPA to its final locked position. No additional components are required.

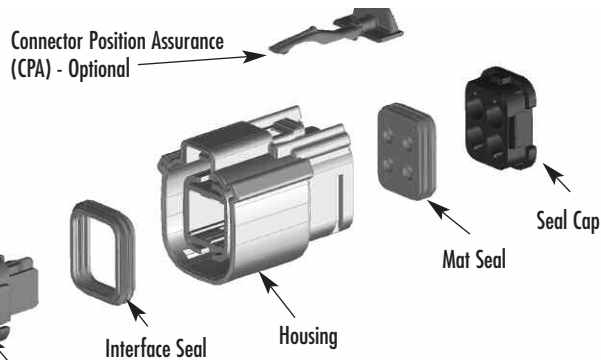
Tooling solutions include FineAdjust™ crimp press applicators for high-volume production, as well as hand tools for low-volume production and field repairs.

## FEATURES AND BENEFITS

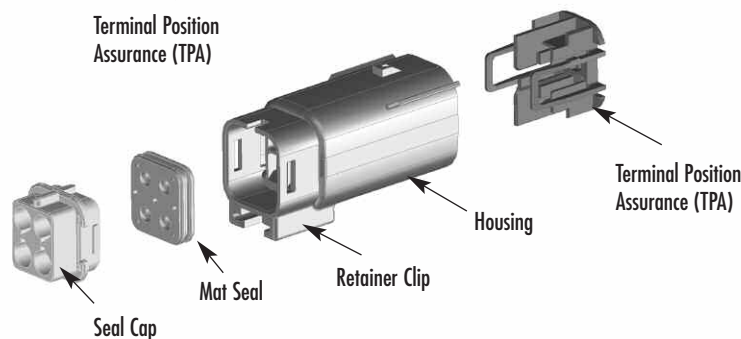
- Pre-assembled connector housings, seals, TPA components and mat-seal cap shipped in one piece to provide applied labor and cost savings
- Audible and tactile clicks on insertion, extraction and mating feedback facilitates reliable mating and terminal loading and removal
- Integral TPA assures that crimped terminal leads are properly locked into connector (TPA will not seat into final lock position and connector system will not latch if terminal is not locked properly into position)
- Unused circuits can be blocked using plastic seal plugs, which facilitates flexibility of sealing unused circuits without adding complexity to part numbers and customer inventory
- Conforms to UL 1977, which allows for a UL recognized sealed connector system for use in data, signal, control and power applications
- Integral locking latch with secondary, pre-loaded CPA option assures that connector system is properly latched. CPA will not move to final locked position if connector is not latched. Confirms positive mating of connector
- Superior electrical and mechanical performance capabilities surpass performance of most mature competitive products in market
- Sealed panel mount plugs are equipped with a blind hole boss feature which reduces extra hardware while improving the sealing process during assembly by eliminating a leak path
- Integral, 2-way mat and interface seals designed and tested to IEC IP 67 and SAE USCAR-2, Rev. 3 standards exceeds "waterproof" demands as a true sealed connector system tested under submersed conditions in various fluids
- Easy terminal insertion and extraction provides quick, low-cost field repairs using common screw driver, needle nose pliers and terminal extraction tool
- Protective mat-seal cap protects, securely retains, and provides strain relief to wire seal interface
- Simple crimp, poke and plug application eliminates need to crimp individual wire seals

## MX150L SEALED CONNECTOR SYSTEMS - EXPLODED VIEW

### Receptacle Connector



### Plug Connector



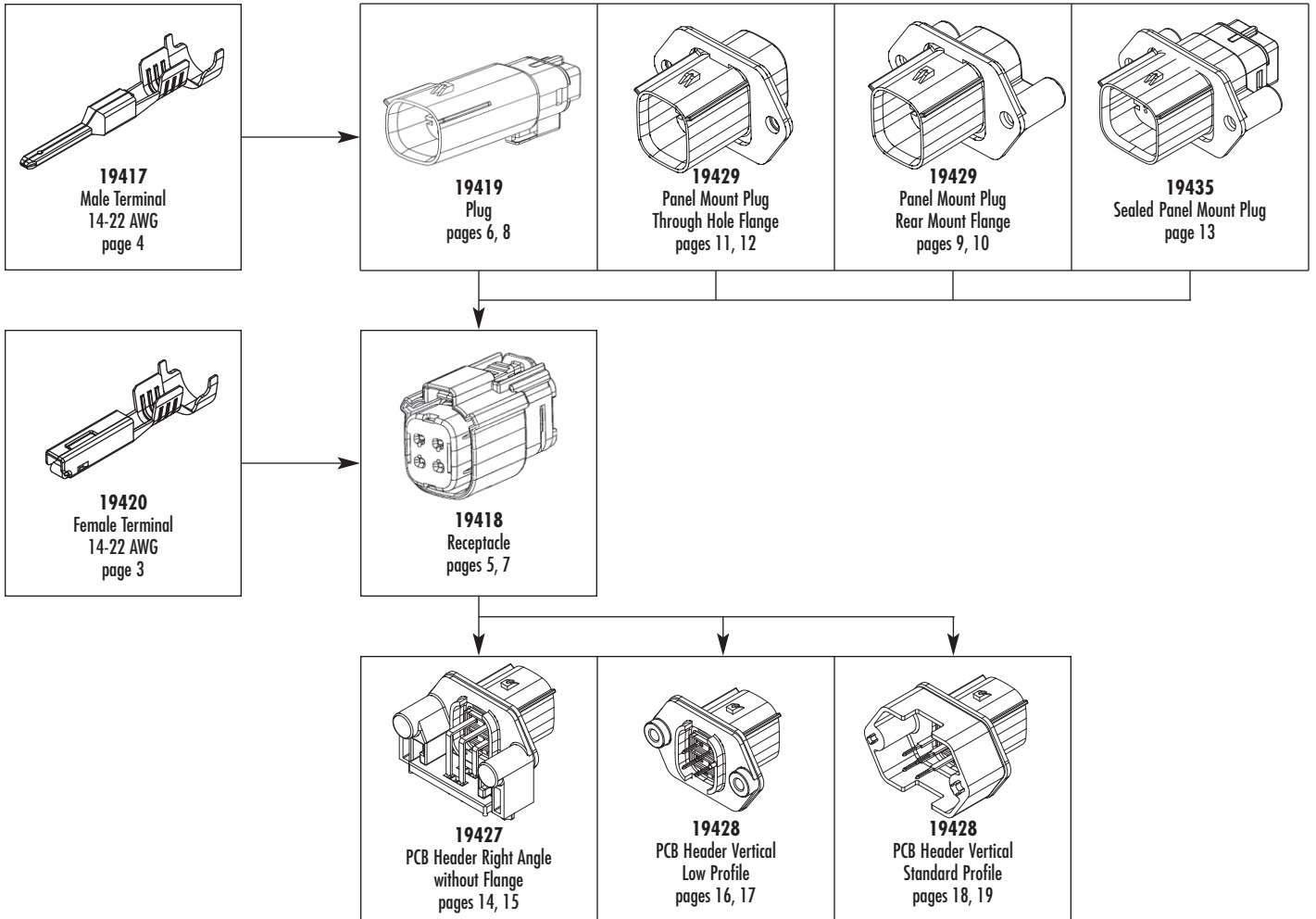
NOTE: All discrete components shown above for both the receptacle and plug housings are pre-assembled. Terminals are simply crimped and poked into the housings. No additional wire seals, wedge locks or CPA locks are required.



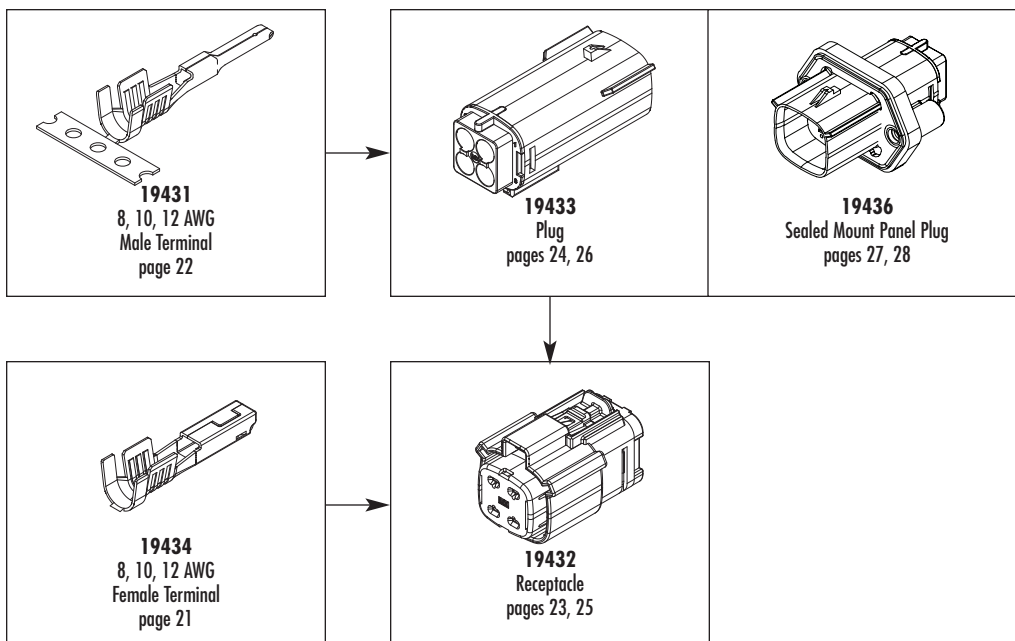
**MX150L™**

## Product Overview

### 14 TO 22 AWG WIRE-TO-WIRE, PANEL MOUNT AND PCB



### 8, 10 AND 12 AWG WIRE-TO-WIRE



## FEATURES AND SPECIFICATIONS

### Features and Benefits

- Mat seal friendly design features center seam and coined edges
- Anti-over stress beam geometry feature
- Low insertion force

### Reference Information

UL File No.: E152602  
 Designed In: Inches  
 Used With: 19418

### Electrical

Current: 18.0A

### Physical

Contact: Copper Alloy  
 Plating: Tin or Gold

### Mechanical

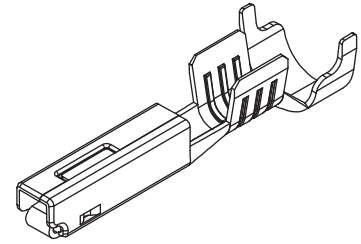
Contact Insertion Force: 1.0 lb. max.  
 Durability: Tin Plating—25 cycles  
 Gold Plating—100 cycles



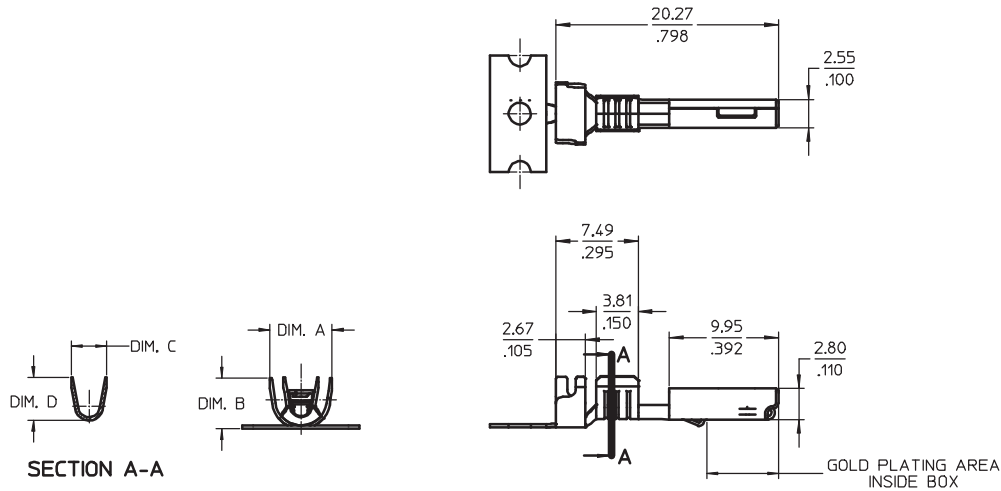
**5.84mm (.230") Pitch**  
**MX150L™**  
**Terminal**

**19420**

**Female**



## CATALOG DRAWING (FOR REFERENCE ONLY)



## ORDERING INFORMATION

| Wire Range (AWG) | Insulation Diameter<br>mm (In) | Order No.  |            |            |            | Dimension   |             |             |             |
|------------------|--------------------------------|------------|------------|------------|------------|-------------|-------------|-------------|-------------|
|                  |                                | Pre-Tin    |            | Gold       |            | A           | B           | C           | D           |
|                  |                                | Strip      | Loose      | Strip      | Loose      |             |             |             |             |
| 18-22            | 2.36-2.74 (.093-.108)          | 19420-0002 | 19420-0010 | 19420-0004 | 19420-0012 | 4.60 (.181) | 3.63 (.143) | 2.50 (.098) | 2.70 (.106) |
| 14-16            | 2.87-3.53 (.113-.139)          | 19420-0001 | 19420-0009 | 19420-0003 | 19420-0011 | 5.66 (.223) | 4.62 (.182) | 3.58 (.141) | 3.94 (.155) |

## FEATURES AND SPECIFICATIONS

### Features and Benefits

- Mat seal friendly design features center seam and coined Electrical
- Low insertion force

### Reference Information

UL File No.: E152602  
 Designed In: Inches  
 Used With: 19419, 19429 and 19435

### Electrical

Current: 18.0A

### Physical

Contact: Copper Alloy  
 Plating: Tin or Gold

### Mechanical

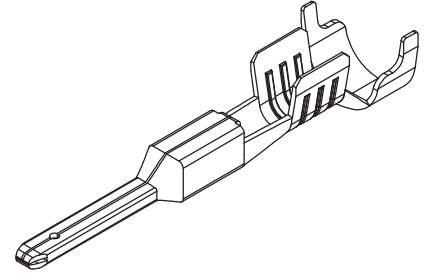
Contact Insertion Force: 1.0 lb. max.  
 Durability: Tin Plating—25 cycles  
 Gold Plating—100 cycles



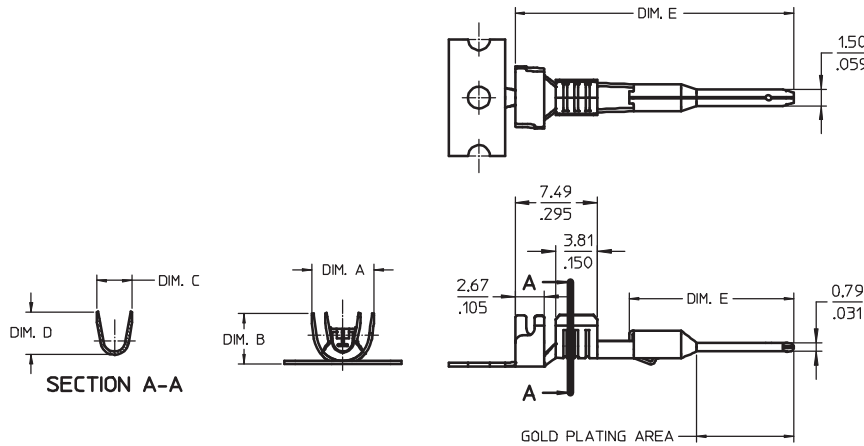
**5.84mm (.230") Pitch**  
**MX150L™**  
**Terminal**

**19417**

**Male**



## CATALOG DRAWING (FOR REFERENCE ONLY)



## ORDERING INFORMATION

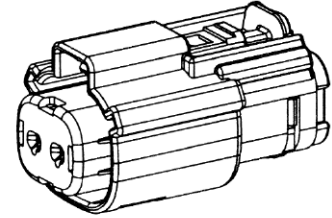
| Wire Range (AWG) | Insulation Diameter mm (In) | Order No.  |            |            |            | Pin Length | Dimension   |             |             |             |              |
|------------------|-----------------------------|------------|------------|------------|------------|------------|-------------|-------------|-------------|-------------|--------------|
|                  |                             | Pre-Tin    |            | Gold       |            |            | A           | B           | C           | D           | E            |
|                  |                             | Strip      | Loose      | Strip      | Loose      |            |             |             |             |             |              |
| 18-22            | 2.36-2.74 (.093-.108)       | 19417-0024 | 19417-0048 | 19417-0026 | 19417-0050 | Standard   | 4.60 (.181) | 3.63 (.143) | 2.50 (.098) | 2.70 (.106) | 25.40 (1.00) |
| 14-16            | 2.87-3.53 (.113-.139)       | 19417-0011 | 19417-0047 | 19417-0025 | 19417-0049 | Standard   | 5.66 (.223) | 4.62 (.182) | 3.58 (.141) | 3.94 (.155) | 25.40 (1.00) |
| 18-22            | 2.36-2.74 (.093-.108)       | 19417-0028 | 19417-0052 | 19417-0030 | 19417-0054 | Long       | 4.60 (.181) | 3.63 (.143) | 2.50 (.098) | 2.70 (.106) | 26.16 (1.03) |
| 14-16            | 2.87-3.53 (.113-.139)       | 19417-0027 | 19417-0051 | 19417-0029 | 19417-0053 | Long       | 5.66 (.223) | 4.62 (.182) | 3.58 (.141) | 3.94 (.155) | 26.16 (1.03) |

## FEATURES AND SPECIFICATIONS



# 5.84mm (.230") Pitch MX150L™ Receptacle

## 19418 Single Row



### Features and Benefits

- Environmentally sealed to IP67
- Integrated mat wire seal
- Integrated interface seal and terminal position assurance (TPA)
- Optional connector position assurance (CPA)
- Simple crimp-and-poke application
- Field serviceable contact removal system
- Tactile and audible mating feedback

### Reference Information

UL File No.: E152602  
Designed In: Inches  
Mates With: 19419, 19429

### Electrical

Dielectric Withstanding Voltage: 2200V AC min.  
Insulation Resistance: 1000 Megohms  
Voltage: 600V

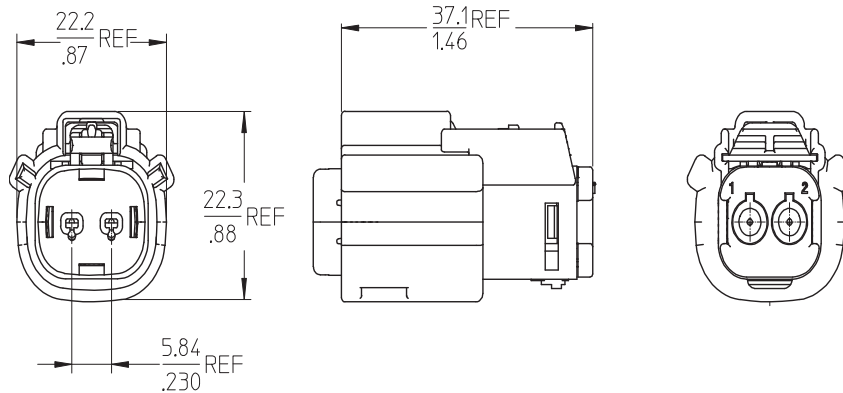
### Mechanical

Mating force: 75N max.  
Unmating force: 75N max.

### Physical:

Housing: SPS Glass-Filled Crystalline Polymer  
Operating Temperature: -40 to +125°C

## CATALOG DRAWING (FOR REFERENCE ONLY)



## ORDERING INFORMATION

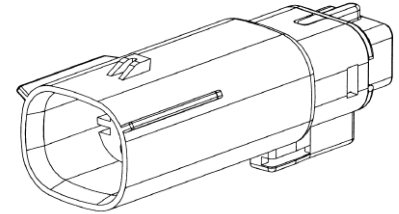
| Circuits | Wire Range (AWG) | Mat Seal Color | Order No.  |             |
|----------|------------------|----------------|------------|-------------|
|          |                  |                | with CPA   | without CPA |
| 2        | 18-22            | Red            | 19418-0008 | 19418-0016  |
|          | 14-16            | Blue           | 19418-0007 | 19418-0017  |

## FEATURES AND SPECIFICATIONS



# 5.84mm (.230") Pitch MX150L™ Plug

## 19419 Single Row



### Features and Benefits

- Environmentally sealed to IP67
- Integrated mat wire seal and terminal position assurance (TPA)
- Simple crimp-and-poke application
- Field serviceable contact removal system
- Tactile and audible mating feedback

### Reference Information

UL File No.: E152602  
Designed In: Inches  
Mates With: 19418

### Electrical

Dielectric Withstanding Voltage: 2200V AC min.  
Insulation Resistance: 1000 Megohms  
Voltage: 600V

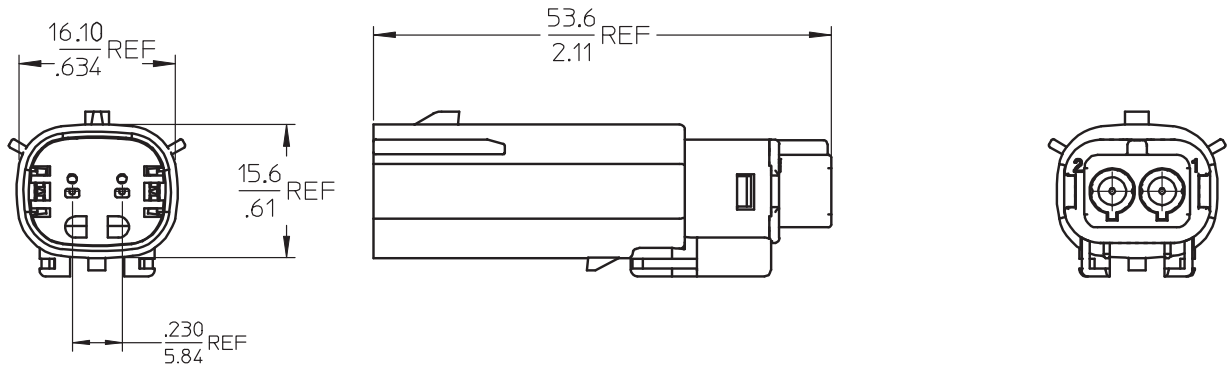
### Mechanical

Mating force: 75N max.  
Unmating force: 75N max.

### Physical:

Housing: SPS Glass-Filled Crystalline Polymer  
Operating Temperature: -40 to +125°C

## CATALOG DRAWING (FOR REFERENCE ONLY)



## ORDERING INFORMATION

| Circuits | Wire Range (AWG) | Mat Seal Color | Order No.  |
|----------|------------------|----------------|------------|
| 2        | 18-22            | Red            | 19419-0008 |
|          | 14-16            | Blue           | 19419-0007 |

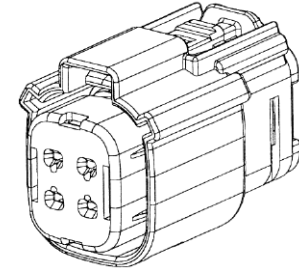
## FEATURES AND SPECIFICATIONS



# 5.84mm (.230") Pitch MX150L™ Receptacle

## 19418

## Dual Row



### Features and Benefits

- Environmentally sealed to IP67
- Integrated mat wire seal and terminal position assurance (TPA)
- Optional connector position assurance (CPA)
- Simple crimp-and-poke application
- Field serviceable contact removal system
- Tactile and audible mating feedback

### Reference Information

UL File No.: E152602  
Designed In: Inches  
Mates With: 19419, 19429 and 19435

### Electrical

Dielectric Withstanding Voltage: 2200V AC min.  
Insulation Resistance: 1000 Megohms  
Voltage: 600V

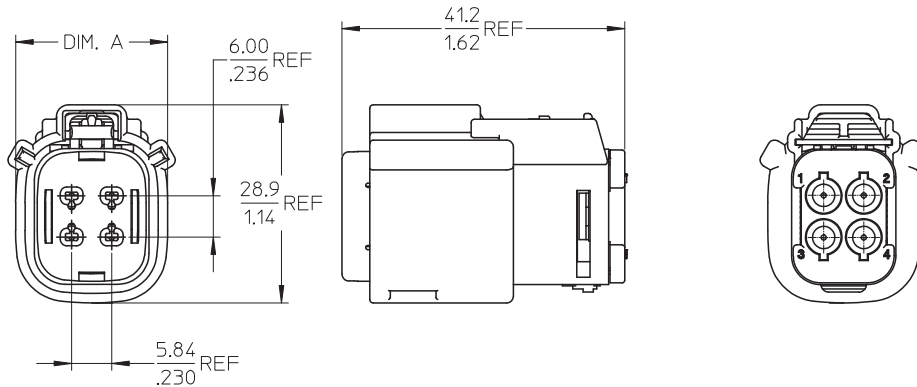
### Mechanical

Mating force: 75N max.  
Unmating force: 75N max.

### Physical:

Housing: SPS Glass-Filled Crystalline Polymer  
Operating Temperature: -40 to +125°C

## CATALOG DRAWING (FOR REFERENCE ONLY)



## ORDERING INFORMATION

| Circuits | Wire Range (AWG) | Mat Seal Color | Order No.  |             | Dimension A   |
|----------|------------------|----------------|------------|-------------|---------------|
|          |                  |                | With CPA   | Without CPA |               |
| 4        | 18-22            | Red            | 19418-0005 | 19418-0018  | 22.15 (.872)  |
|          | 14-16            | Blue           | 19418-0004 | 19418-0019  |               |
| 6        | 18-22            | Red            | 19418-0011 | 19418-0020  | 27.99 (1.102) |
|          | 14-16            | Blue           | 19418-0010 | 19418-0021  |               |
| 8        | 18-22            | Red            | 19418-0001 | 19418-0022  | 33.83 (1.332) |
|          | 14-16            | Blue           | 19418-0002 | 19418-0023  |               |
| 10       | 18-22            | Red            | 19418-0014 | 19418-0024  | 39.67 (1.562) |
|          | 14-16            | Blue           | 19418-0013 | 19418-0025  |               |
| 12       | 18-22            | Red            | 19418-0026 | 19418-0038  | 45.51 (1.792) |
|          | 14-16            | Blue           | 19418-0027 | 19418-0037  |               |
| 16       | 18-22            | Red            | 19418-0029 | 19418-0040  | 57.19 (2.252) |
|          | 14-16            | Blue           | 19418-0030 | 19418-0039  |               |



## FEATURES AND SPECIFICATIONS

### Features and Benefits

- Environmentally sealed to IP67
- Integrated mat wire seal and terminal position assurance (TPA)
- Simple crimp-and-poke application
- Field serviceable contact removal system
- Tactile and audible mating feedback

### Reference Information

UL File No.: E152602  
 Designed In: Inches  
 Mates With: 19418

### Electrical

Dielectric Withstanding Voltage: 2200V AC min.  
 Insulation Resistance: 1000 Megohms  
 Voltage: 600V

### Mechanical

Mating force: 75N max.  
 Unmating force: 75N max.

### Physical:

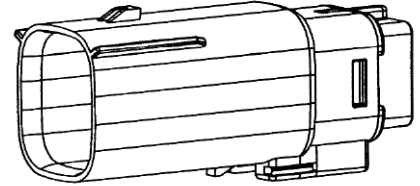
Housing: SPS Glass-Filled Crystalline Polymer  
 Operating Temperature: -40 to +125°C



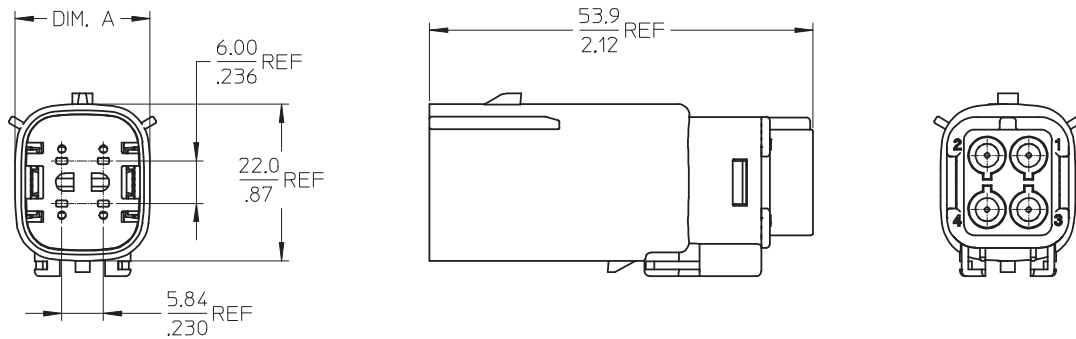
**5.84mm (.230") Pitch  
 MX150L™  
 Plug**

**19419**

**Dual Row**



## CATALOG DRAWING (FOR REFERENCE ONLY)



## ORDERING INFORMATION

| Circuits | Wire Range (AWG) | Mat Seal Color | Order No.  | Dimension A   |
|----------|------------------|----------------|------------|---------------|
| 4        | 18-22            | Red            | 19419-0005 | 16.10 (.634)  |
|          | 14-16            | Blue           | 19419-0004 |               |
| 6        | 18-22            | Red            | 19419-0012 | 24.78 (.976)  |
|          | 14-16            | Blue           | 19419-0011 |               |
| 8        | 18-22            | Red            | 19419-0001 | 30.62 (1.206) |
|          | 14-16            | Blue           | 19419-0002 |               |
| 10       | 18-22            | Red            | 19419-0015 | 36.47 (1.436) |
|          | 14-16            | Blue           | 19419-0014 |               |
| 12       | 18-22            | Red            | 19419-0017 | 42.31 (1.666) |
|          | 14-16            | Blue           | 19419-0018 |               |
| 16       | 18-22            | Red            | 19419-0020 | 53.99 (2.126) |
|          | 14-16            | Blue           | 19419-0021 |               |

## FEATURES AND SPECIFICATIONS

### Features and Benefits

- Environmentally sealed to IP67 when mated
- Integrated terminal position assurance (TPA)
- Simple crimp-and-poke application
- Field serviceable contact removal system
- Tactile and audible mating feedback
- For inside panel mount application
- Use with molded silicon panel gasket
- Blind hole boss feature eliminates leak path and reduces extra sealing process during assembly

### Reference Information

UL File No.: E152602  
 Designed In: Inches  
 Mates With: 19418

### Electrical

Dielectric Withstanding Voltage:  
 2200V AC min.  
 Insulation Resistance: 1000 Megohms  
 Voltage: 600V

### Mechanical

Mating force: 75N max.  
 Unmating force: 75N max.

### Physical:

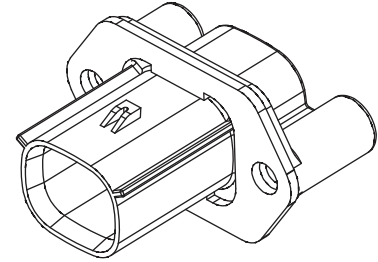
Housing: SPS Glass-Filled Crystalline Polymer  
 Operating Temperature: -40 to +125°C



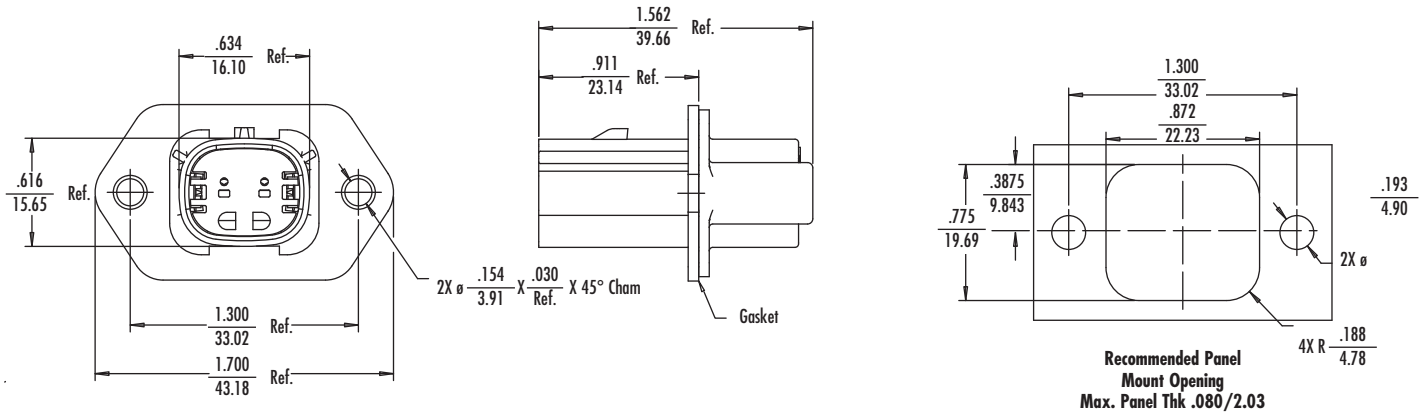
## 5.84mm (.230") Pitch MX150L™ Panel Mount Plug

**19429**

## Rear Mount Flange Single Row



## CATALOG DRAWING (FOR REFERENCE ONLY)



## ORDERING INFORMATION

| Circuits | Wire Range (AWG) | Order No.   |                |            |
|----------|------------------|-------------|----------------|------------|
|          |                  | With Gasket | Without Gasket | Gasket     |
| 2        | 14-22            | 19429-0033  | 19429-0005     | 19427-0025 |

**Note:** Recommended Mounting Hardware: (2) #10 x .62/18.9 long, plastic thread cutting screws  
 Suggested Source: ITW Shake Proof Industrial Bosscrew or equivalent

## FEATURES AND SPECIFICATIONS

### Features and Benefits

- Environmentally sealed to IP67
- Integrated terminal position assurance (TPA)
- Simple crimp-and-poke application
- Field serviceable contact removal system
- Tactile and audible mating feedback
- For inside panel mount application
- Use with molded silicon panel gasket
- Blind hole boss feature eliminates leak path and reduces extra sealing process during assembly

### Reference Information

UL File No.: E152602  
 Designed In: Inches  
 Mates With: 19418

### Electrical

Dielectric Withstanding Voltage: 2200V AC min.  
 Insulation Resistance: 1000 Megohms  
 Voltage: 600V

### Mechanical

Mating force: 75N max.  
 Unmating force: 75N max.

### Physical:

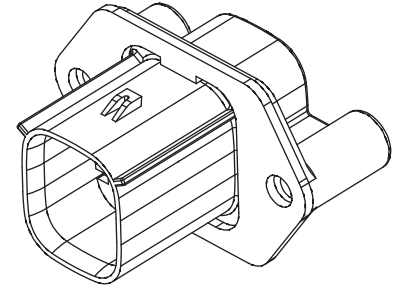
Housing: SPS Glass-Filled Crystalline Polymer  
 Operating Temperature: -40 to +125°C



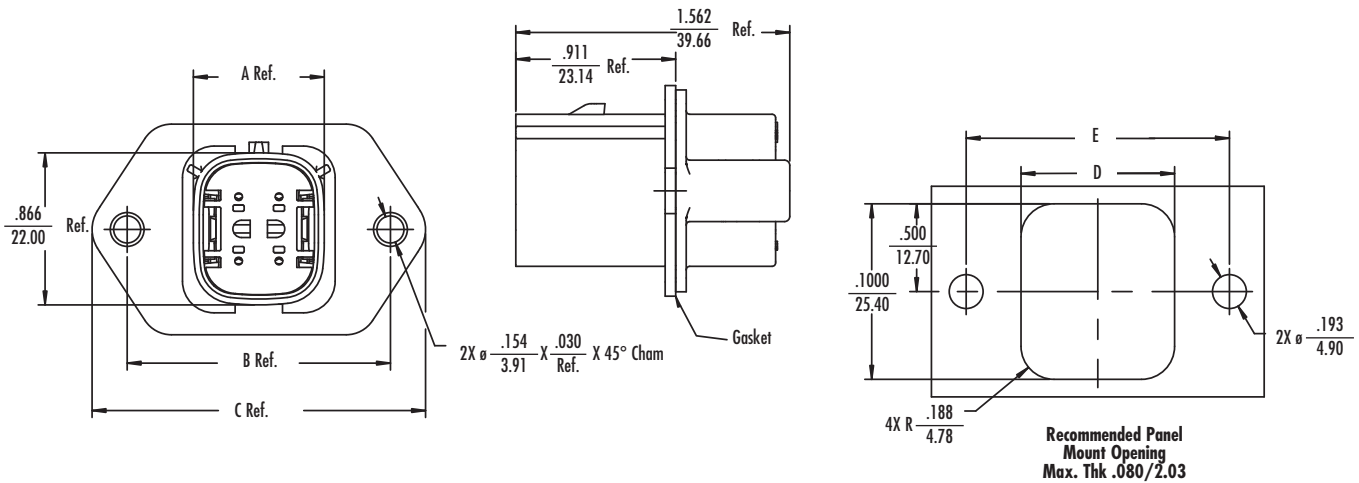
# 5.84mm (.230") Pitch MX150L™ Panel Mount Plug

## 19429

## Rear Mount Flange Dual Row



## CATALOG DRAWING (FOR REFERENCE ONLY)



## ORDERING INFORMATION

| Circuits | Wire Range (AWG) | Order No.   |                |            | Dimension     |               |               |               |               |
|----------|------------------|-------------|----------------|------------|---------------|---------------|---------------|---------------|---------------|
|          |                  | With Gasket | Without Gasket | Gasket     | A             | B             | C             | D             | E             |
| 4        | 14-22            | 19429-0035  | 19429-0009     | 19427-0024 | 18.94 (.746)  | 38.10 (1.500) | 48.26 (1.900) | 22.23 (.875)  | 38.10 (1.500) |
| 6        |                  | 19429-0036  | 19429-0010     | 19427-0021 | 24.78 (.976)  | 41.92 (1.650) | 52.08 (2.050) | 28.07 (1.105) | 41.92 (1.650) |
| 8        |                  | 19429-0037  | 19429-0011     | 19427-0022 | 30.62 (1.206) | 48.26 (1.900) | 58.42 (2.300) | 33.88 (1.334) | 48.26 (1.900) |
| 10       |                  | 19429-0038  | 19429-0014     | 19427-0029 | 36.47 (1.436) | 54.61 (2.150) | 64.75 (2.549) | 39.75 (1.565) | 54.61 (2.150) |
| 12       |                  | 19429-0039  | 19429-0015     | 19427-0030 | 42.31 (2.400) | 60.96 (2.400) | 70.97 (2.794) | 45.59 (1.795) | 60.96 (2.400) |
| 16       |                  | 19429-0040  | 19429-0016     | 19427-0023 | 53.99 (2.126) | 73.67 (2.900) | 83.83 (3.300) | 57.28 (2.255) | 73.67 (2.900) |

**Note:** Recommended Mounting Hardware: (2) #10 x .62/18.9 long, plastic thread cutting screws  
 Suggested Source: ITW Shake Proof Industrial Bosscrew or equivalent

## FEATURES AND SPECIFICATIONS

### Features and Benefits

- Environmentally sealed to IP67 when mated
- Integrated terminal position assurance (TPA)
- Simple crimp-and-poke application
- Field serviceable contact removal system
- Tactile and audible mating feedback
- For outside or inside panel mount application
- Use with molded silicon panel gasket

### Reference Information

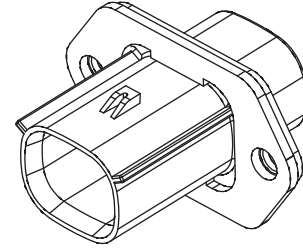
UL File No.: E152602  
 Designed In: Inches  
 Mates With: 19418



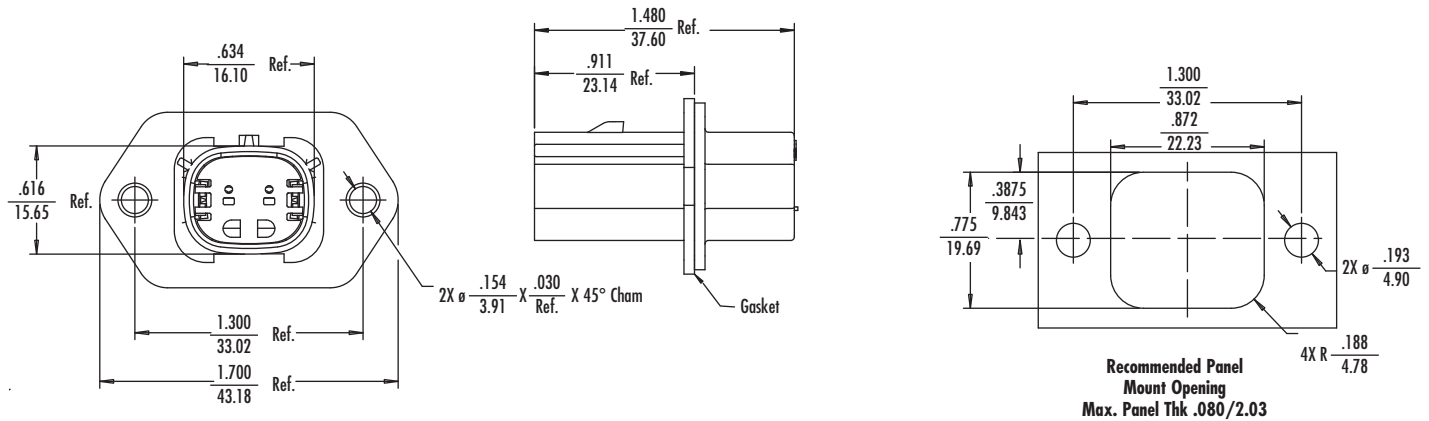
## 5.84mm (.230") Pitch MX150L™ Panel Mount Plug

**19429**

## Through Hole Flange Single Row



## CATALOG DRAWING (FOR REFERENCE ONLY)



## ORDERING INFORMATION

| Circuits | Wire Range (AWG) | Order No.   |                |            |
|----------|------------------|-------------|----------------|------------|
|          |                  | With Gasket | Without Gasket | Gasket     |
| 2        | 14-22            | 19429-0041  | 19429-0026     | 19427-0025 |

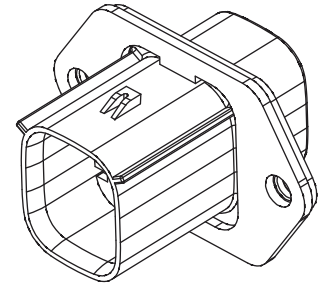
## FEATURES AND SPECIFICATIONS



# 5.84mm (.230") Pitch MX150L™ Panel Mount Plug

## 19429

## Through Hole Flange Dual Row



### Features and Benefits

- Environmentally sealed to IP67
- Integrated terminal position assurance (TPA)
- Simple crimp-and-poke application
- Field serviceable contact removal system
- Tactile and audible mating feedback
- For outside or inside panel mount application
- Use with molded silicon panel gasket

### Reference Information

UL File No.: E152602  
Designed In: Inches  
Mates With: 19418

### Electrical

Dielectric Withstanding Voltage: 2200V AC min.  
Insulation Resistance: 1000 Megohms  
Voltage: 600V

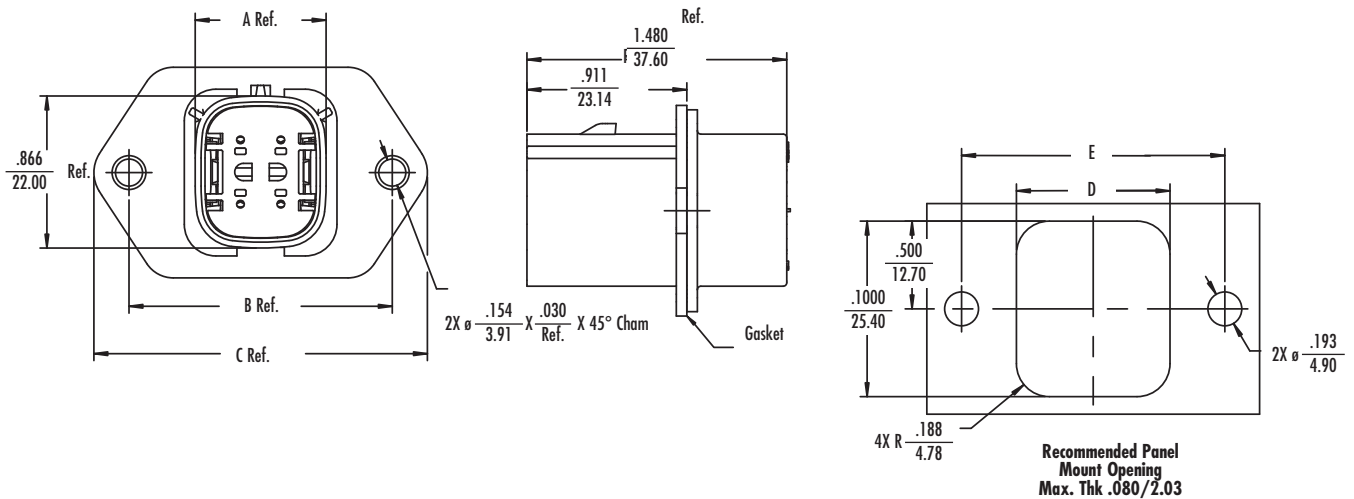
### Mechanical

Mating force: 75N max.  
Unmating force: 75N max.

### Physical:

Housing: SPS Glass-Filled Crystalline Polymer  
Operating Temperature: -40 to +125°C

## CATALOG DRAWING (FOR REFERENCE ONLY)



## ORDERING INFORMATION

| Circuits | Wire Range (AWG) | Order No.   |                |            | Dimension     |               |               |               |               |
|----------|------------------|-------------|----------------|------------|---------------|---------------|---------------|---------------|---------------|
|          |                  | With Gasket | Without Gasket | Gasket     | A             | B             | C             | D             | E             |
| 4        | 14-22            | 19429-0043  | 19429-0025     | 19427-0024 | 16.10 (.634)  | 38.10 (1.500) | 48.26 (1.900) | 22.23 (.875)  | 38.10 (1.500) |
| 6        |                  | 19429-0044  | 19429-0028     | 19427-0021 | 24.78 (.976)  | 41.92 (1.650) | 52.08 (2.050) | 28.07 (1.105) | 41.92 (1.650) |
| 8        |                  | 19429-0045  | 19429-0029     | 19427-0022 | 30.62 (1.206) | 48.26 (1.900) | 58.42 (2.300) | 33.88 (1.334) | 48.26 (1.900) |
| 10       |                  | 19429-0046  | 19429-0030     | 19427-0029 | 36.47 (1.436) | 54.61 (2.150) | 64.75 (2.549) | 39.75 (1.565) | 54.61 (2.150) |
| 12       |                  | 19429-0047  | 19429-0031     | 19427-0030 | 42.31 (2.400) | 60.96 (2.400) | 70.97 (2.794) | 45.59 (1.795) | 60.96 (2.400) |
| 16       |                  | 19429-0048  | 19429-0032     | 19427-0023 | 53.99 (2.126) | 73.67 (2.900) | 83.83 (3.300) | 57.28 (2.255) | 73.67 (2.900) |

## FEATURES AND SPECIFICATIONS

### Features and Benefits

- Environmentally sealed to IP67
- Mates with existing MX150L receptacles
- Supports non-closed in panels
- Field serviceable contact removal system
- Tactile and audible mating feedback
- Blind hole boss feature eliminates leak path and reduces extra sealing process during assembly

### Reference Information

UL File No.: E152602  
 Designed in: Inches  
 Mates with: 19418

### Electrical

Dielectric Withstanding Voltage:  
 2200V AC min  
 Insulation Resistance: 1000 Megohms min.  
 Voltage: 600V

### Mechanical:

Mating Force: 75N max  
 Unmating Force: 75N max

### Physical

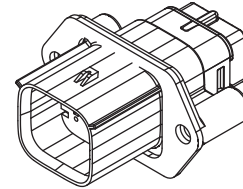
Housing: Glass-Filled PBT  
 Operating Temperature: -40 to +125°C



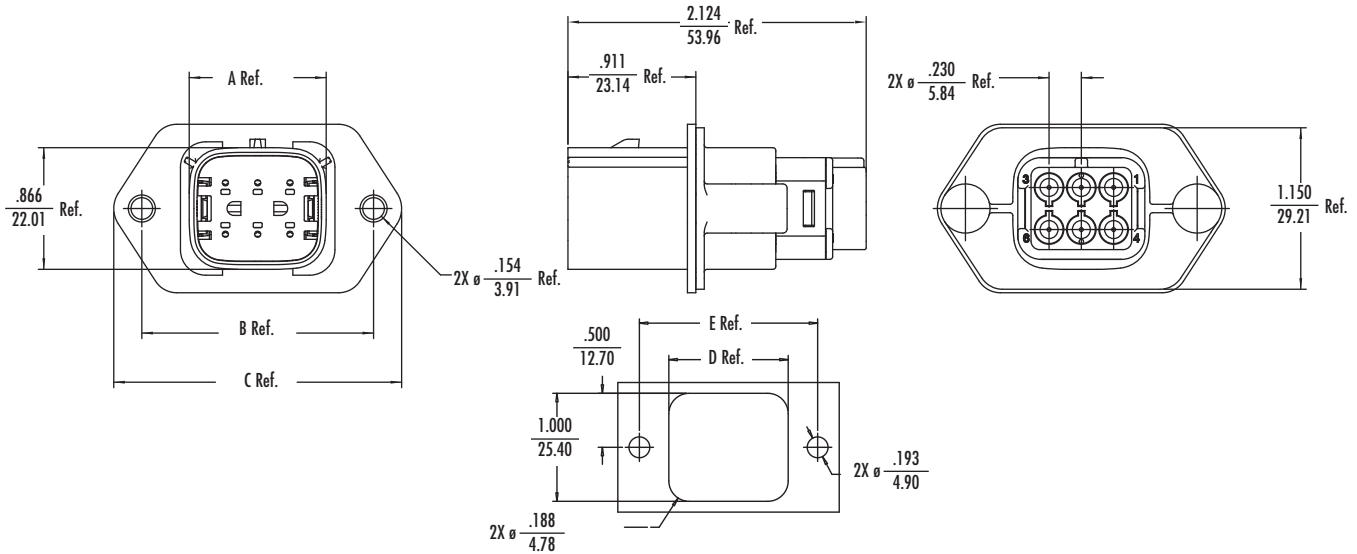
# 5.84mm (.230") Pitch MX150L™ Sealed Panel Mount Plug

## 19435

## Rear Mount Flange Dual Row



## CATALOG DRAWING (FOR REFERENCE ONLY)



Recommended Panel Mount Opening  
 Max. Thk .080/2.03

## ORDERING INFORMATION

| Circuits | Wire Range (AWG) | Mat Seal Color | Order No.   |                | Dimension     |               |               |               |               |
|----------|------------------|----------------|-------------|----------------|---------------|---------------|---------------|---------------|---------------|
|          |                  |                | With Gasket | Without Gasket | A             | B             | C             | D             | E             |
| 6        | 18-22            | Red            | 19435-0612  | 19435-0614     | 24.78 (.976)  | 41.92 (1.650) | 52.08 (2.050) | 28.07 (1.105) | 41.92 (1.650) |
|          | 14-16            | Blue           | 19435-0611  | 19435-0613     | 24.78 (.976)  | 41.92 (1.650) | 52.08 (2.050) | 28.07 (1.105) | 41.92 (1.650) |
| 8        | 18-22            | Red            | 19435-0812  | 19435-0814     | 30.62 (1.206) | 48.26 (1.90)  | 58.42 (2.30)  | 33.88 (1.334) | 48.26 (1.90)  |
|          | 14-16            | Blue           | 19435-0811  | 19435-0813     | 30.62 (1.206) | 48.26 (1.90)  | 58.42 (2.30)  | 33.88 (1.334) | 48.26 (1.90)  |
| 10       | 18-22            | Red            | 19435-1012  | 19435-1014     | 36.47 (1.436) | 54.61 (2.150) | 64.75 (2.549) | 39.75 (1.565) | 54.61 (2.150) |
|          | 14-16            | Blue           | 19435-1011  | 19435-1013     | 36.47 (1.436) | 54.61 (2.150) | 64.75 (2.549) | 39.75 (1.565) | 54.61 (2.150) |
| 12       | 18-22            | Red            | 19435-1212  | 19435-1214     | 42.31 (1.67)  | 60.96 (2.40)  | 70.97 (2.794) | 45.59 (1.795) | 60.96 (2.40)  |
|          | 14-16            | Blue           | 19435-1211  | 19435-1213     | 42.31 (1.67)  | 60.96 (2.40)  | 70.97 (2.794) | 45.59 (1.795) | 60.96 (2.40)  |

**Note:** Recommended Mounting Hardware: (2) #10 x .62/18.9 long, plastic thread cutting screws  
 Suggested Source: ITW Shake Proof Industrial Bosscrew or equivalent

## FEATURES AND SPECIFICATIONS

### Features and Benefits

- Environmentally sealed to IP67
- Mates with existing MX150L receptacles
- Molded silicon panel gasket included
- Available in tin or gold plating
- Supports 14-22 AWG receptacle
- Tactile and audible mating feedback
- Blind hole boss feature eliminates leak path and reduces extra sealing process during assembly

### Reference Information

Packaging: Tray  
 UL File No.: E152602  
 Designed in: Inches  
 Mates with: 19418

### Electrical

Dielectric Withstanding Voltage:  
 2200V AC min  
 Insulation Resistance: 1000 Megohms min.  
 Voltage: 600V

### Mechanical:

Durability: Tin Plating—25 cycles  
 Gold Plating—100 cycles

### Physical

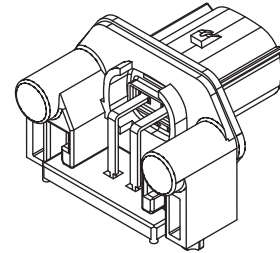
Housing: Glass-Filled PBT  
 Contact: Copper Alloy  
 Plating: Contact Area – Tin or Gold  
 Solder Tail Area – Tin  
 PCB Thickness: 1.60mm (.062") max.  
 Operating Temperature: -40 to +125°C



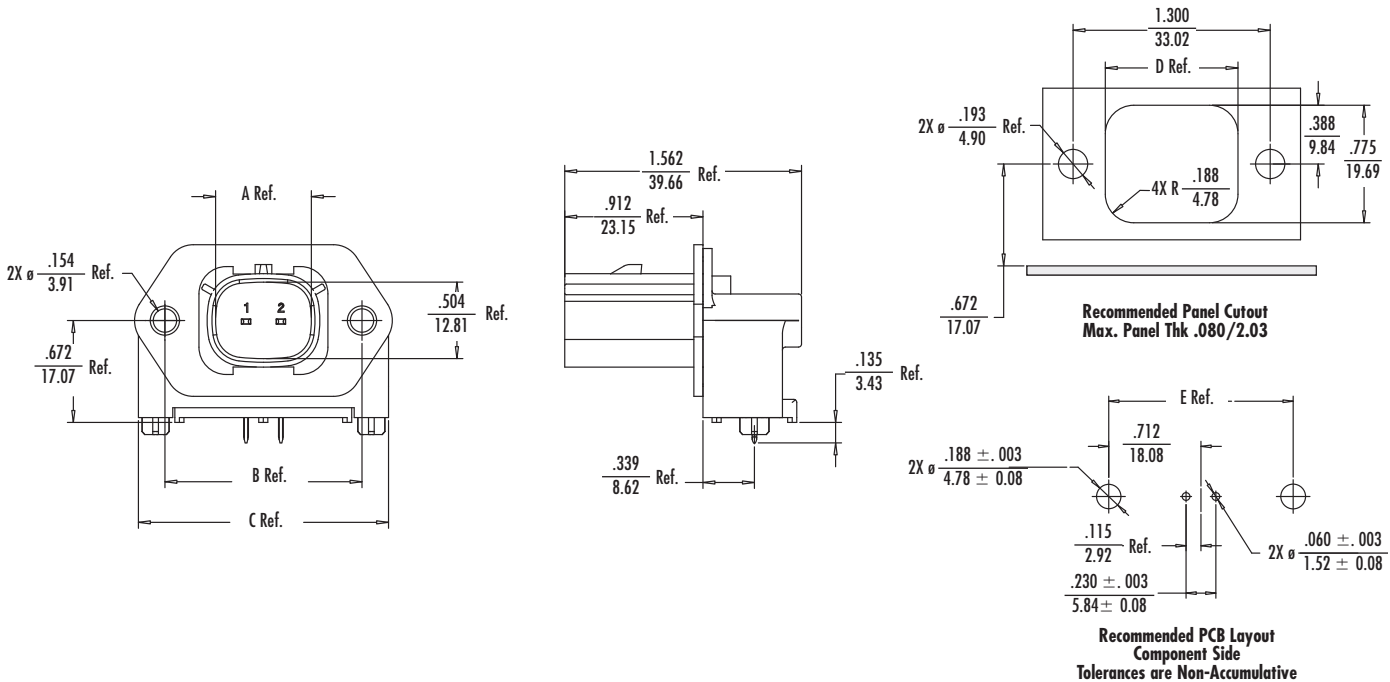
## 5.84mm (.230") Pitch MX150L™ PCB Header

### 19427

## Right Angle Without PCB Flange Single Row



## CATALOG DRAWING (FOR REFERENCE ONLY)



## ORDERING INFORMATION

| Circuits | Order No.  |                 | Dimension    |               |               |              |               |
|----------|------------|-----------------|--------------|---------------|---------------|--------------|---------------|
|          | Tin        | Select Gold/Tin | A            | B             | C             | D            | E             |
| 2        | 19427-0040 | 19427-0109      | 16.04 (.632) | 33.02 (1.300) | 41.90 (1.649) | 22.23 (.875) | 36.14 (1.423) |

**Note:** Recommended Mounting Hardware: (2) #10 x .62/18.9 long, plastic thread cutting screws  
 Suggested Source: ITW Shake Proof Industrial Bosscrew or equivalent

## FEATURES AND SPECIFICATIONS

### Features and Benefits

- Environmentally sealed to IP67
- Mates with existing MX150L receptacles
- Molded silicon panel gasket included
- Available in tin or gold plating
- Supports 14-22 AWG
- Tactile and audible mating feedback
- Blind hole boss feature eliminates leak path and reduces extra sealing process during assembly

### Reference Information

Packaging: Tray  
 UL File No.: E152602  
 Designed in: Inches  
 Mates with: 19418

### Electrical

Dielectric Withstanding Voltage:  
 2200V AC min  
 Insulation Resistance: 1000 Megohms min.  
 Voltage: 600V

### Mechanical:

Durability: Tin Plating—25 cycles  
 Gold Plating—100 cycles

### Physical

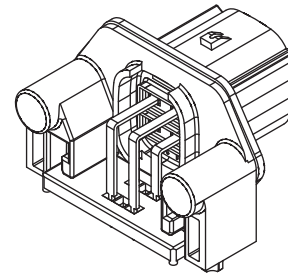
Housing: Glass-Filled PBT  
 Contact: Copper Alloy  
 Plating: Contact Area – Tin or Gold  
 Solder Tail Area – Tin  
 PCB Thickness: 1.60mm (.062") max.  
 Operating Temperature: -40 to +125°C



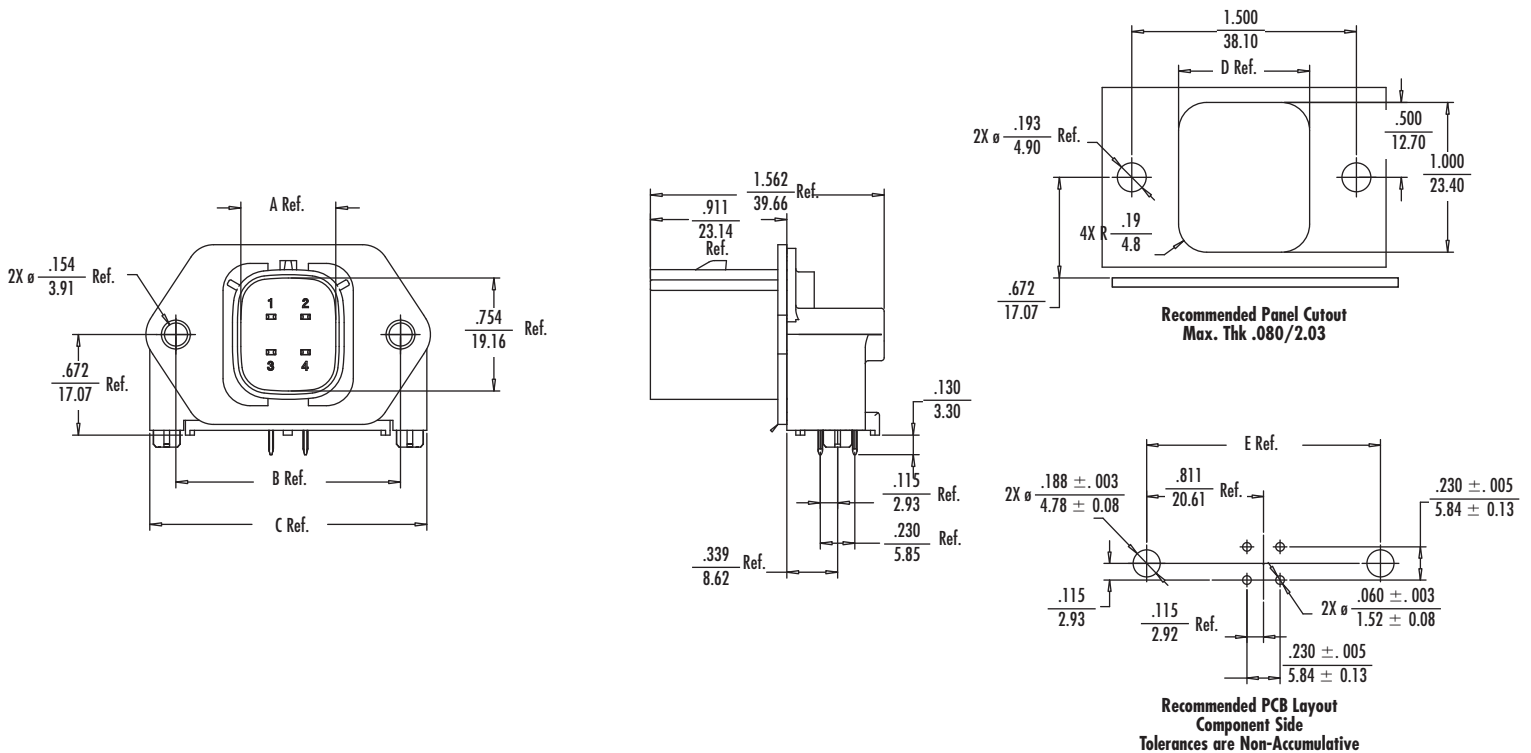
## 5.84mm (.230") Pitch MX150L™ PCB Header

### 19427

## Right Angle Without PCB Flange Dual Row



## CATALOG DRAWING (FOR REFERENCE ONLY)



## ORDERING INFORMATION

| Circuits | Order No.  |                 | Dimension     |               |               |               |               |
|----------|------------|-----------------|---------------|---------------|---------------|---------------|---------------|
|          | Tin        | Select Gold/Tin | A             | B             | C             | D             | E             |
| 4        | 19427-0032 | 19427-0107      | 16.10 (.634)  | 38.10 (1.50)  | 46.99 (1.850) | 22.23 (.875)  | 41.24 (1.624) |
| 6        | 19427-0018 | 19427-0106      | 21.94 (.864)  | 41.92 (1.65)  | 50.81 (2.0)   | 28.07 (1.105) | 45.06 (1.774) |
| 8        | 19427-0017 | 19427-0105      | 27.74 (1.092) | 48.26 (1.90)  | 57.15 (2.250) | 33.88 (1.334) | 51.41 (2.024) |
| 10       | 19427-0031 | 19427-0104      | 33.62 (1.324) | 54.61 (2.150) | 63.50 (2.50)  | 39.75 (1.565) | 57.75 (2.274) |
| 12       | 19427-0012 | 19427-0103      | 39.46 (1.554) | 60.96 (2.40)  | 69.85 (2.750) | 45.59 (1.795) | 64.1 (2.524)  |
| 16       | 19427-0049 | 19427-0102      | 51.14 (2.014) | 73.67 (2.90)  | 82.55 (3.250) | 57.28 (2.255) | 76.8 (3.024)  |

Note: Recommended Mounting Hardware: (2) #10 x .62/18.9 long, plastic thread cutting screws  
 Suggested Source: ITW Shake Proof Industrial Bosscrew or equivalent



## FEATURES AND SPECIFICATIONS

### Features and Benefits

- Environmentally sealed to IP67
- Mates with existing MX150L receptacles
- Molded silicon panel gasket included
- Available in tin or gold plating
- Supports 14-22 AWG
- Tactile and audible mating feedback

### Reference Information

Packaging: Tray  
 UL File No.: E152602  
 Designed in: Inches  
 Mates with: 19418

### Electrical

Dielectric Withstanding Voltage:  
 2200V AC min  
 Insulation Resistance: 1000 Megohms min.  
 Voltage: 600V

### Mechanical:

Durability: Tin Plating—25 cycles  
 Gold Plating—100 cycles

### Physical

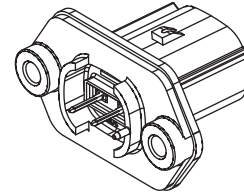
Housing: Glass-Filled PBT  
 Contact: Copper Alloy  
 Plating: Contact Area – Tin or Gold  
 Solder Tail Area – Tin  
 PCB Thickness: 1.60mm (.062") max.  
 Operating Temperature: -40 to +125°C



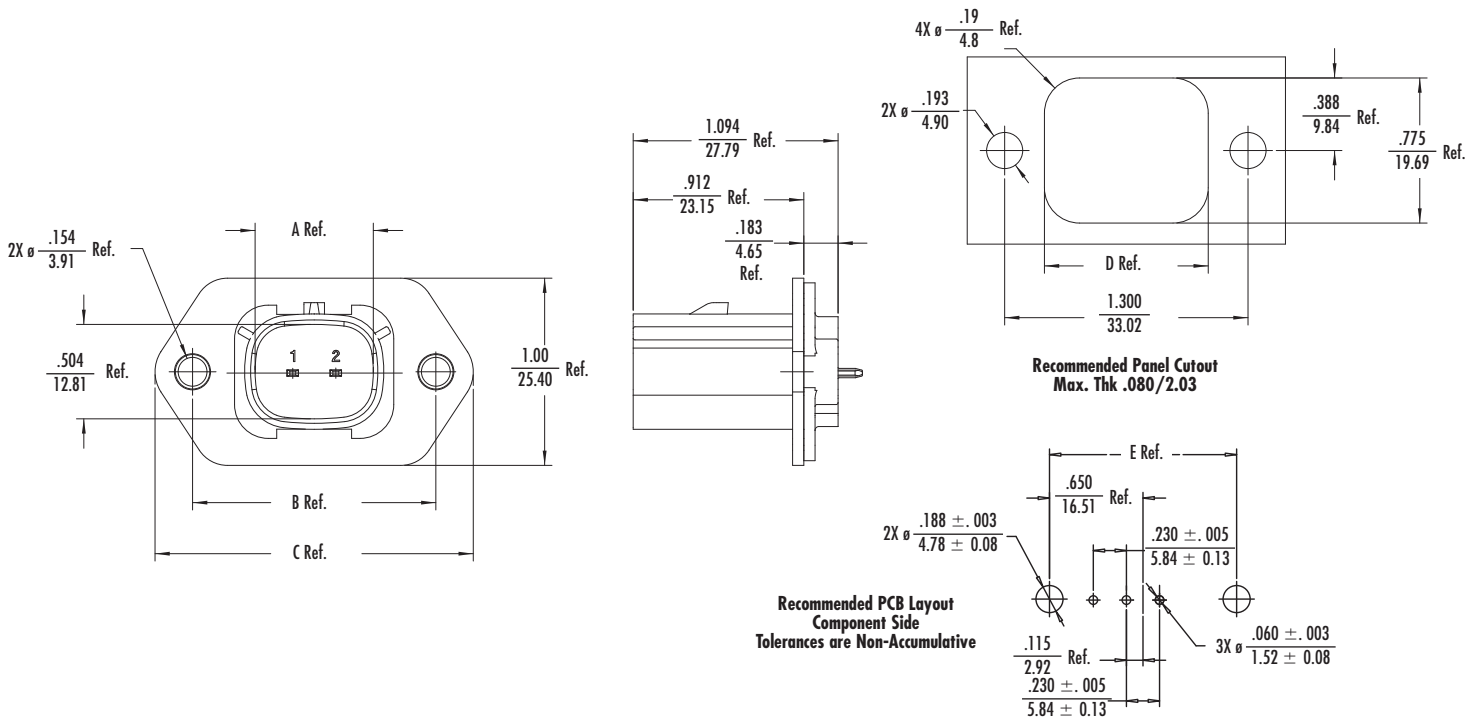
## 5.84mm (.230") Pitch MX150L™ PCB Header

### 19428

## Vertical Low Profile Single Row



## CATALOG DRAWING (FOR REFERENCE ONLY)



## ORDERING INFORMATION

| Circuits | Order No.  |                 | Dimension    |               |              |              |              |
|----------|------------|-----------------|--------------|---------------|--------------|--------------|--------------|
|          | Tin        | Select Gold/Tin | A            | B             | C            | D            | E            |
| 2        | 19428-0009 | 19428-0025      | 16.10 (.634) | 33.01 (1.300) | 43.18 (1.70) | 22.23 (.875) | 33.02 (1.30) |

## FEATURES AND SPECIFICATIONS

### Features and Benefits

- Environmentally sealed to IP67
- Mates with existing MX150L receptacles
- Molded silicon panel gasket included
- Available in tin or gold plating
- Supports 14-22 AWG receptacle
- Tactile and audible mating feedback

### Reference Information

Packaging: Tray  
 UL File No.: E152602  
 Designed in: Inches  
 Mates with: 19418

### Electrical

Dielectric Withstanding Voltage:  
 2200V AC min  
 Insulation Resistance: 1000 Megohms min.  
 Voltage: 600V

### Mechanical:

Durability: Tin Plating—25 cycles  
 Gold Plating—100 cycles

### Physical

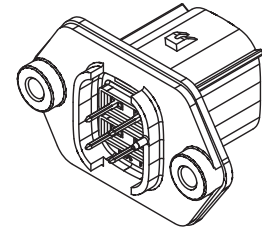
Housing: Glass-Filled PBT  
 Contact: Copper Alloy  
 Plating: Contact Area – Tin or Gold  
 Solder Tail Area – Tin  
 PCB Thickness: 1.60mm (.062") max.  
 Operating Temperature: -40 to +125°C



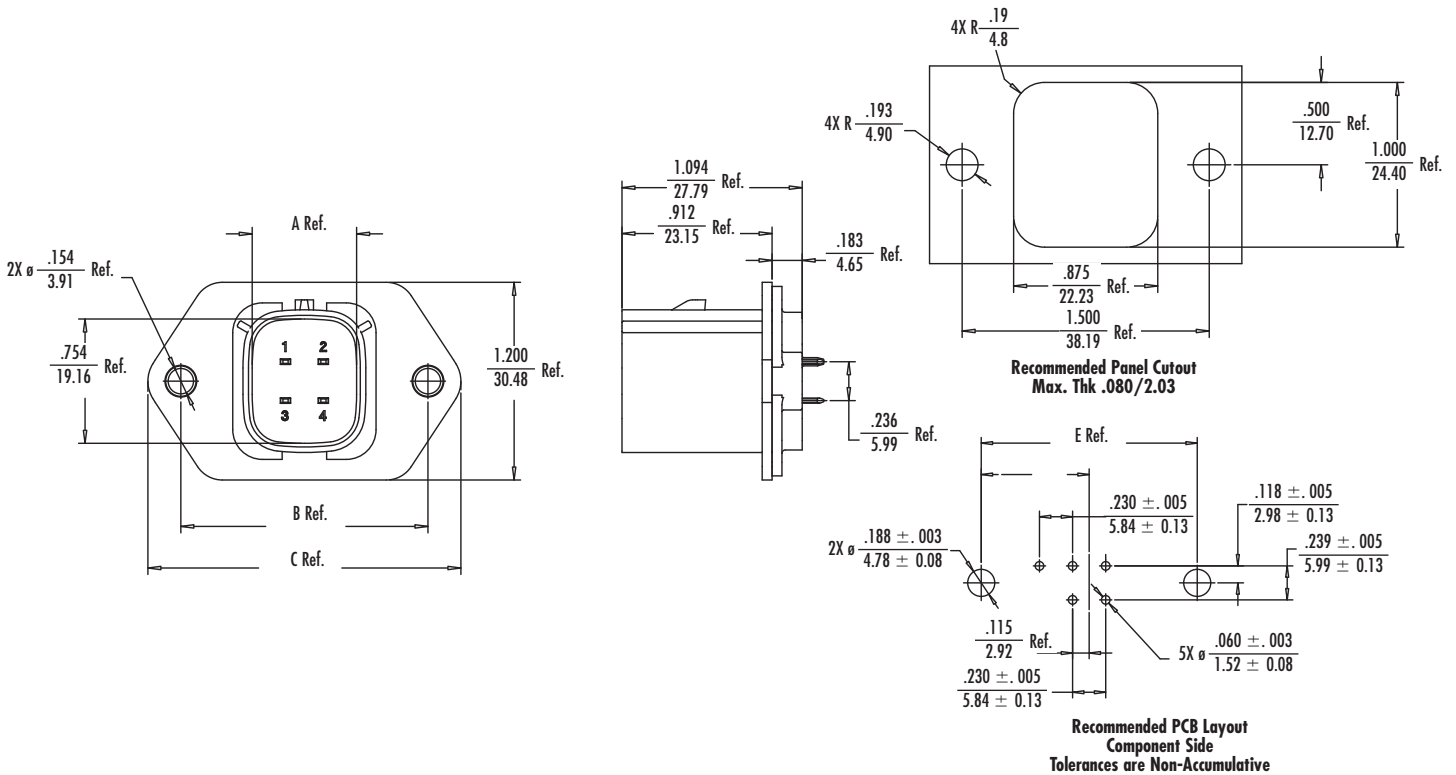
## 5.84mm (.230") Pitch MX150L™ PCB Header

### 19428

## Vertical Low Profile Dual Row



## CATALOG DRAWING (FOR REFERENCE ONLY)



## ORDERING INFORMATION

| Circuits | Order No.  |                 | Dimension     |               |               |              |
|----------|------------|-----------------|---------------|---------------|---------------|--------------|
|          | Tin        | Select Gold/Tin | A             | B             | C             | E            |
| 4        | 19428-0011 | 19428-0027      | 16.10 (.634)  | 38.10 (1.50)  | 48.26 (1.90)  | 38.10 (1.50) |
| 6        | 19428-0012 | 19428-0028      | 21.94 (.864)  | 41.92 (1.65)  | 52.08 (2.050) | 41.91 (1.65) |
| 8        | 19428-0013 | 19428-0029      | 27.74 (1.092) | 48.26 (1.90)  | 58.42 (2.30)  | 48.26 (1.90) |
| 10       | 19428-0014 | 19428-0030      | 33.62 (1.324) | 54.61 (2.150) | 64.75 (2.54)  | 54.61 (2.15) |
| 12       | 19428-0015 | 19428-0031      | 39.46 (1.554) | 60.96 (2.40)  | 71.12 (2.80)  | 60.96 (2.40) |
| 16       | 19428-0016 | 19428-0032      | 53.99 (2.126) | 73.67 (2.90)  | 83.83 (3.30)  | 73.66 (2.90) |

## FEATURES AND SPECIFICATIONS

### Features and Benefits

- Environmentally sealed to IP67
- Mates with existing MX150L receptacles
- Molded silicon panel gasket included
- Available in tin or gold plating
- Supports 14-22 AWG receptacle
- Tactile and audible mating feedback
- Blind hole boss feature eliminates leak path and reduces extra sealing process during assembly

### Reference Information

Packaging: Tray  
 UL File No.: E152602  
 Designed in: Inches  
 Mates with: 19418

### Electrical

Dielectric Withstanding Voltage:  
 2200V AC min  
 Insulation Resistance: 1000 Megohms min.  
 Voltage: 600V

### Mechanical:

Durability: Tin Plating—25 cycles  
 Gold Plating—100 cycles

### Physical

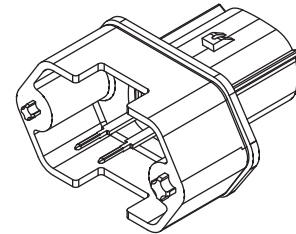
Housing: Glass-Filled PBT  
 Contact: Copper Alloy  
 Plating: Contact Area – Tin or Gold  
 Solder Tail Area – Tin  
 PCB Thickness: 1.60mm (.062") max.  
 Operating Temperature: -40 to +125°C



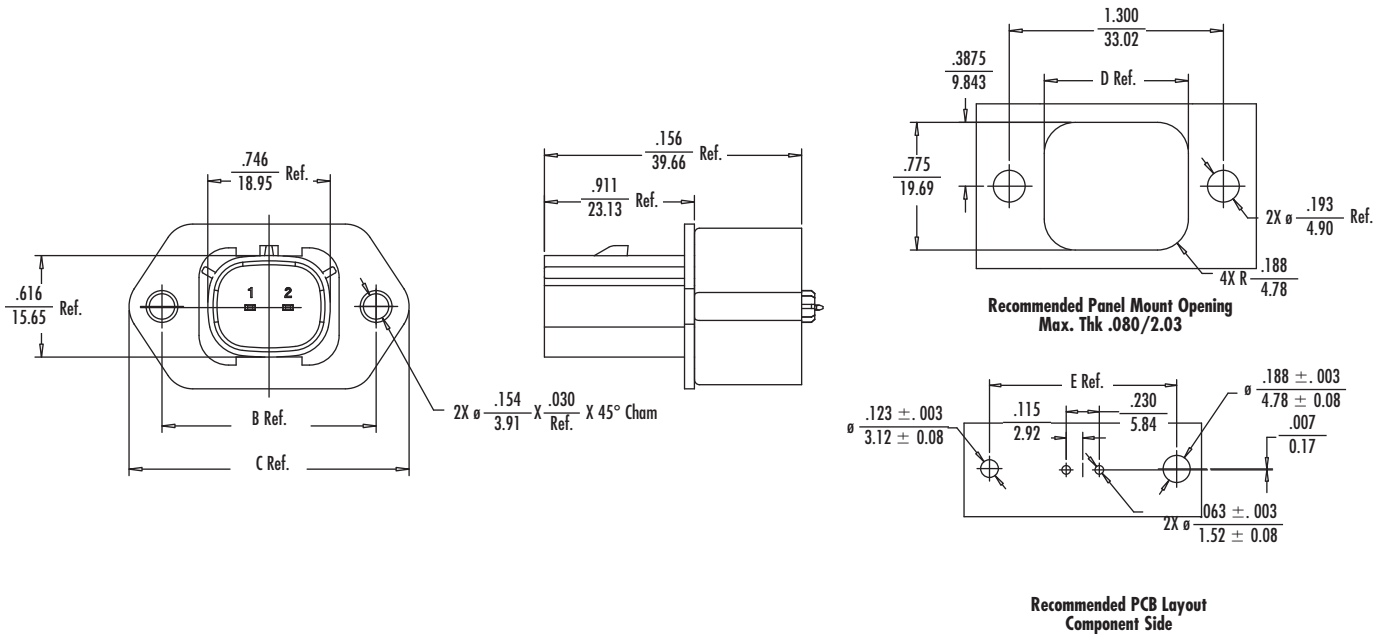
## 5.84mm (.230") Pitch MX150L™ PCB Header

### 19428

## Vertical Standard Profile Single Row



## CATALOG DRAWING (FOR REFERENCE ONLY)



## ORDERING INFORMATION

| Circuits | Order No.  |                 | Dimension     |              |              |              |
|----------|------------|-----------------|---------------|--------------|--------------|--------------|
|          | Tin        | Select Gold/Tin | B             | C            | D            | E            |
| 2        | 19428-0007 | 19428-0017      | 33.01 (1.300) | 43.18 (1.70) | 22.23 (.875) | 33.02 (1.30) |

**Note:** Recommended Mounting Hardware: (2) #10 x .62/18.9 long, plastic thread cutting screws  
 Suggested Source: ITW Shake Proof Industrial Bosscrew or equivalent

## FEATURES AND SPECIFICATIONS

### Features and Benefits

- Environmentally sealed to IP67
- Mates with existing MX150L receptacles
- Molded silicon panel gasket included
- Available in tin or gold plating
- Supports 14-22 AWG receptacle
- Tactile and audible mating feedback
- Blind hole boss feature eliminates leak path and reduces extra sealing process during assembly

### Reference Information

Packaging: Tray  
 UL File No.: E152602  
 Designed in: Inches  
 Mates with: 19418

### Electrical

Contact Resistance: milliohms max.  
 Dielectric Withstanding Voltage: 2200V AC min  
 Insulation Resistance: 1000 Megohms min.  
 Voltage: 600V

### Mechanical:

Durability: Tin Plating—25 cycles  
 Gold Plating—100 cycles

### Physical

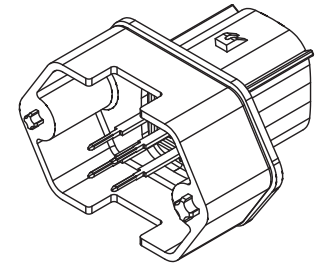
Housing: Glass-Filled PBT  
 Contact: Copper Alloy  
 Plating: Contact Area – Tin or Gold  
 Solder Tail Area – Tin  
 PCB Thickness: 1.60mm (.062") max.  
 Operating Temperature: -40 to +125°C



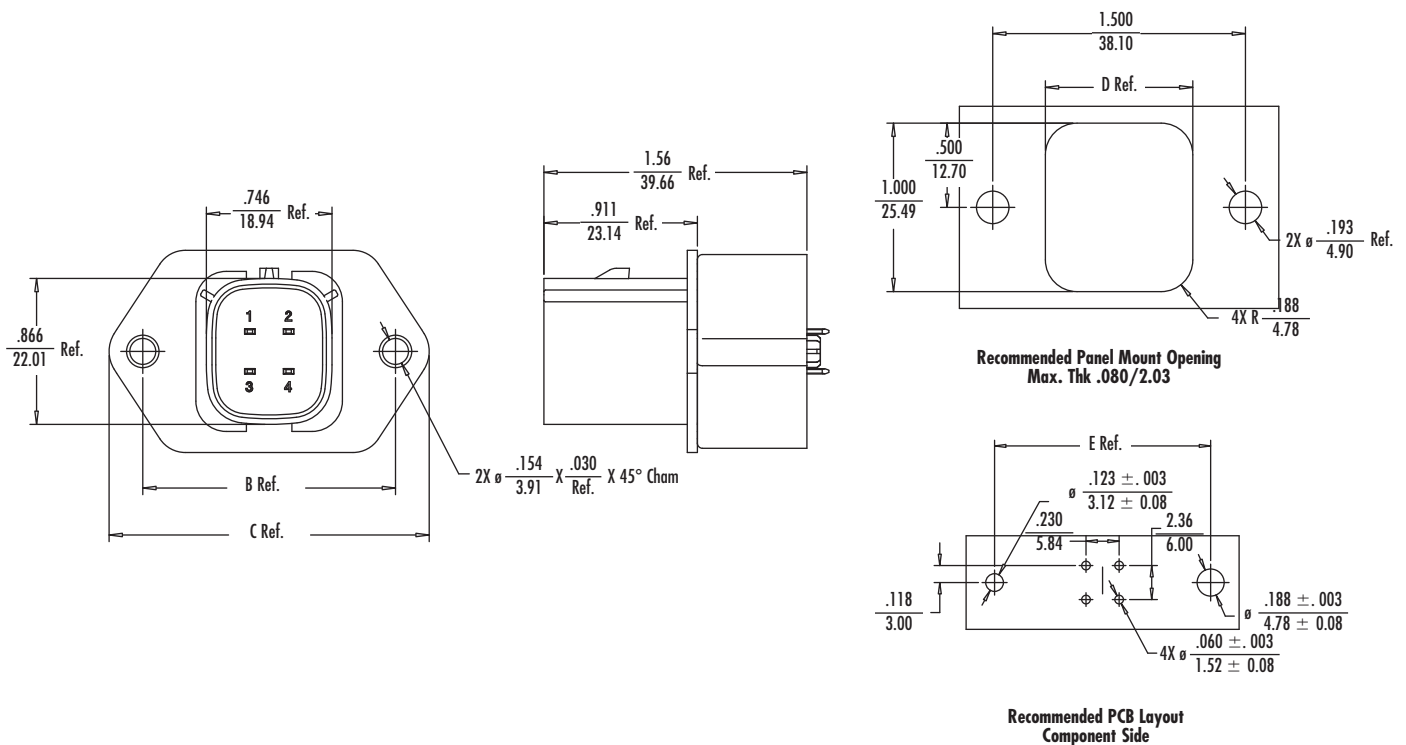
## 5.84mm (.230") Pitch MX150L™ PCB Header

### 19428

## Vertical Standard Profile Dual Row



## CATALOG DRAWING (FOR REFERENCE ONLY)



## ORDERING INFORMATION

| Circuits | Order No.  |                 | Dimension     |               |               |              |
|----------|------------|-----------------|---------------|---------------|---------------|--------------|
|          | Tin        | Select Gold/Tin | B             | C             | D             | E            |
| 4        | 19428-0006 | 19428-0019      | 38.10 (1.50)  | 48.26 (1.90)  | 22.23 (.875)  | 38.10 (1.50) |
| 6        | 19428-0004 | 19428-0020      | 41.92 (1.65)  | 52.08 (2.050) | 28.07 (1.105) | 41.91 (1.65) |
| 8        | 19428-0003 | 19428-0021      | 48.26 (1.90)  | 58.42 (2.30)  | 33.88 (1.334) | 48.26 (1.90) |
| 10       | 19428-0005 | 19428-0022      | 54.61 (2.150) | 64.75 (2.54)  | 39.75 (1.565) | 54.61 (2.15) |
| 12       | 19428-0001 | 19428-0023      | 60.96 (2.40)  | 71.12 (2.80)  | 45.59 (1.795) | 60.96 (2.40) |
| 16       | 19428-0002 | 19428-0024      | 73.67 (2.90)  | 83.83 (3.30)  | 57.28 (2.255) | 73.66 (2.90) |

Note: Recommended Mounting Hardware: (2) #10 x .62/18.9 long, plastic thread cutting screws  
 Suggested Source: ITW Shake Proof Industrial Bosscrew or equivalent

## FEATURES AND SPECIFICATIONS

With the application of optional circuit plugs, the MX150L system supports the ability to implement sealed blank cavities in both plug and receptacle housings. The circuit plugs occupy and fully seal the unused cavity and can be extracted and replaced with a standard male blade or female receptacle terminal. This feature provides the ability to plan for possible future circuit additions while maintaining the sealing integrity of the mated pair.

### Reference Information

Use With: 19418, 19419 and 19435

### Physical

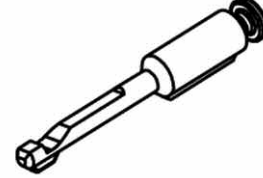
Material: SPS Glass-Filled Crystalline Polymer  
Operating Temperature: -40 to +125°C



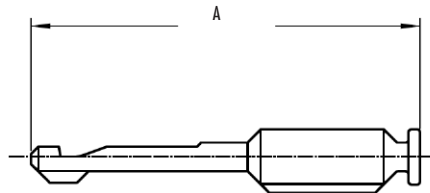
## 5.84mm (.230") Pitch MX150L™ Unused Cavity Circuit Plugs

19417

14 to 22 AWG



## CATALOG DRAWING (FOR REFERENCE ONLY)



## ORDERING INFORMATION

| Housing Series | Order No.   | Dimension A |
|----------------|-------------|-------------|
| 19418          | 19417-0263* | 33.9 (1.3)  |
|                | 19417-0119  | 34.3 (1.4)  |
| 19419          |             |             |
| 19435          |             |             |

\* For use with 19418 receptacles when mating to PCB headers.

## FEATURES AND SPECIFICATIONS

### Features and Benefits

- Mat seal friendly design features center seam and coined edges
- High current
- Low insertion force

### Reference Information

UL File No.: E152602  
 Designed in: Inches  
 Use with: 19432

### Electrical

Current: 10-12 AWG—30.0A  
 8 AWG—40.0A

### Physical

Contact: Copper Alloy  
 Plating: Tin

### Mechanical

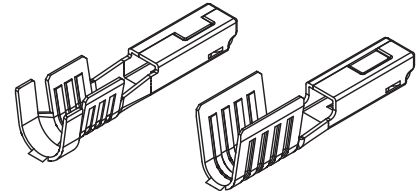
Contact Insertion Force: 1lb  
 Durability: 25 cycles



# 7.62mm (.300") Pitch MX150L™ Terminal

## 19434

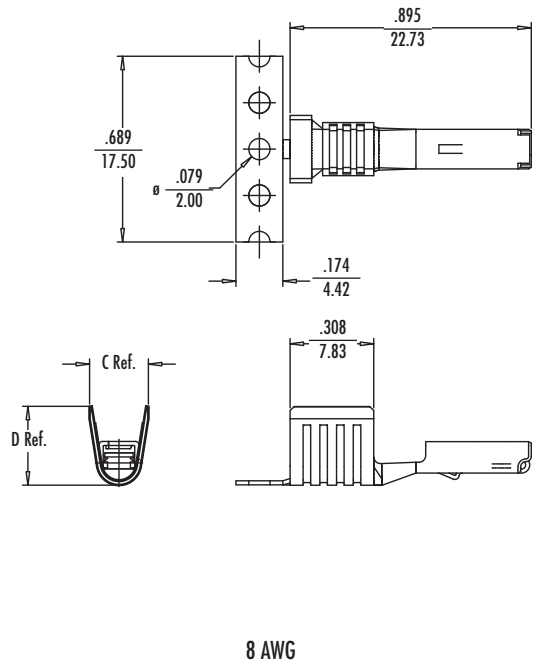
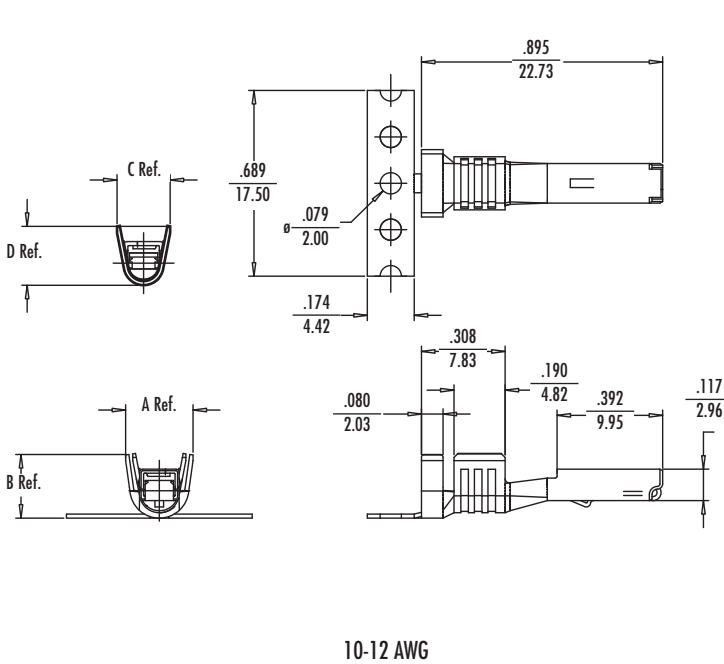
## 8, 10, 12 AWG Female



10-12 AWG

8 AWG

## CATALOG DRAWING (FOR REFERENCE ONLY)



## ORDERING INFORMATION

| Wire Range (AWG) | Insulation Diameter<br>mm (In) | Order No.  |            | Dimension   |             |             |             |
|------------------|--------------------------------|------------|------------|-------------|-------------|-------------|-------------|
|                  |                                | Loose      | Strip      | A           | B           | C           | D           |
| 10-12            | 3.94-4.45 (.155-.175)          | 19434-0003 | 19434-0001 | 6.35 (.250) | 6.00 (.236) | 5.00 (.197) | 5.60 (.220) |
| 8                | 6.02 (.237)                    | 19434-0004 | 19434-0002 | n/a         | n/a         | 6.10 (.240) | 7.0 (.276)  |

## FEATURES AND SPECIFICATIONS

### Features and Benefits

- Mat seal friendly design features center seam and coined edges
- High current
- Low insertion force

### Reference Information

UL File No.: E152602  
 Designed in: Inches  
 Use with: 19433

### Electrical

Current: 10-12 AWG—30.0A  
 8 AWG—40.0A

### Physical

Contact: Copper Alloy  
 Plating: Tin

### Mechanical

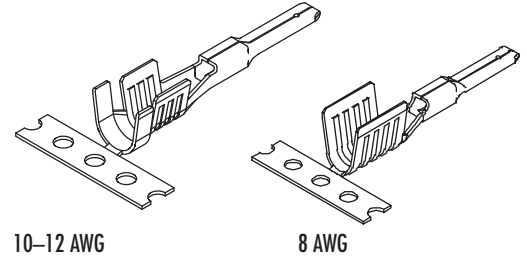
Contact Insertion Force: 1lb  
 Durability: 25 cycles



# 7.62mm (.300") Pitch MX150L™ Terminal

## 19431

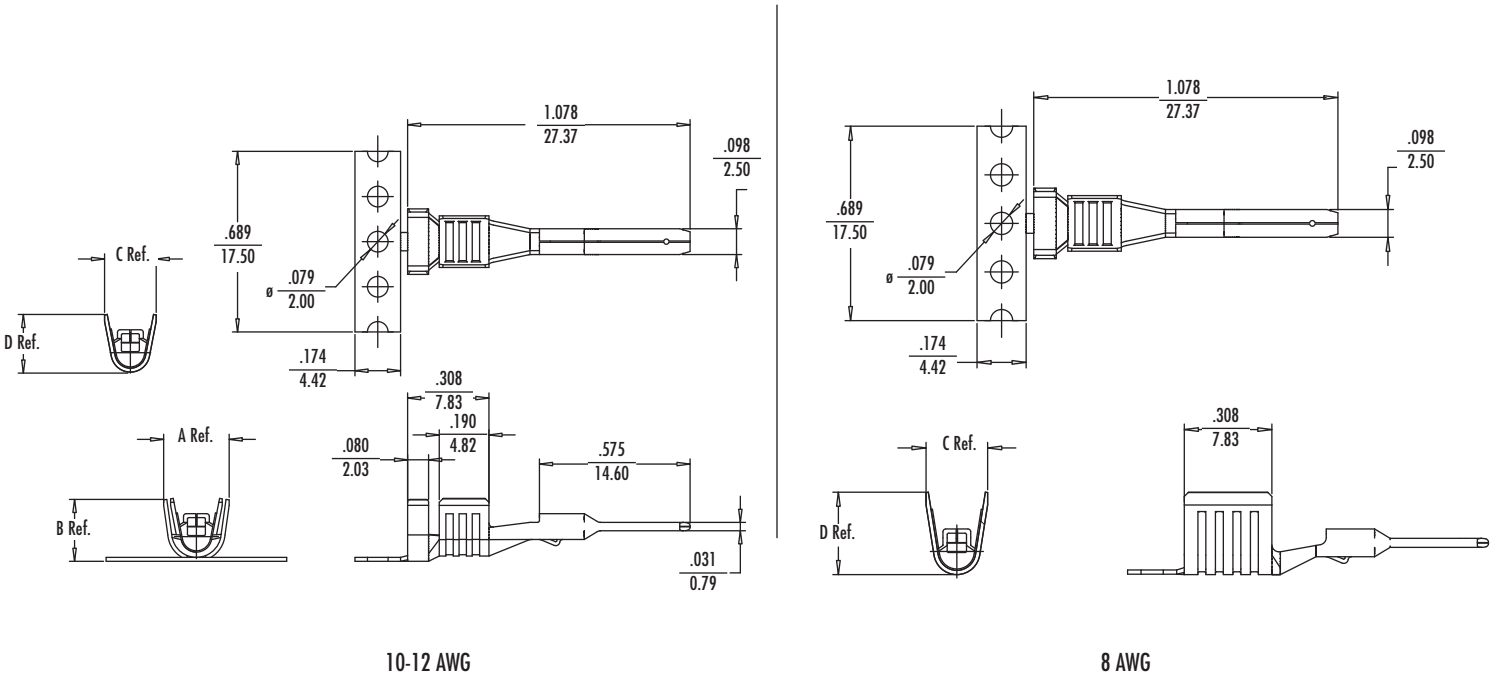
## 8, 10, 12 AWG Male



10-12 AWG

8 AWG

## CATALOG DRAWING (FOR REFERENCE ONLY)



10-12 AWG

8 AWG

## ORDERING INFORMATION

| Wire Range (AWG) | Insulation Diameter<br>mm (In) | Order No.  |            | Dimension   |             |             |             |
|------------------|--------------------------------|------------|------------|-------------|-------------|-------------|-------------|
|                  |                                | Loose      | Strip      | A           | B           | C           | D           |
| 10-12            | 3.94-4.45 (.155-.175)          | 19431-0016 | 19431-0001 | 6.35 (.250) | 6.00 (.236) | 5.00 (.197) | 5.60 (.220) |
| 8                | 6.02 (.237)                    | 19431-0017 | 19431-0015 | n/a         | n/a         | 6.10 (.240) | 7.0 (.276)  |

## FEATURES AND SPECIFICATIONS

### Features and Benefits

- Environmentally sealed to IP67
- Integrated mat wire seal and terminal position assurance
- High current
- Field serviceable contact removal system
- Simple crimp-and-poke application
- Tactile and audible mating feedback
- CPA connector position assurance included

### Reference Information

UL File No.: E152602  
 Designed in: Inches  
 Mates with: 19433  
 Use with: 19434

### Electrical

Dielectric Withstanding Voltage:  
 2200V AC min  
 Insulation Resistance: 1000 Megohms min.  
 Voltage: 600V

### Mechanical:

Mating Force: 75N max  
 Unmating Force: 75N max

### Physical

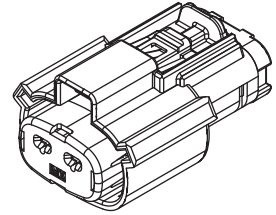
Housing: Glass-Filled PBT  
 Operating Temperature: -40 to +125°C



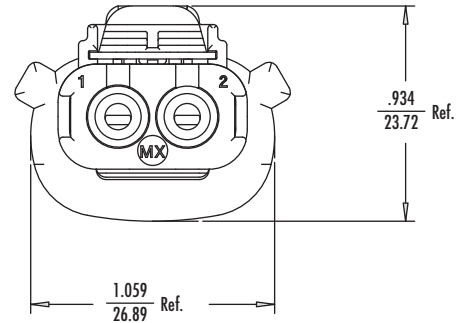
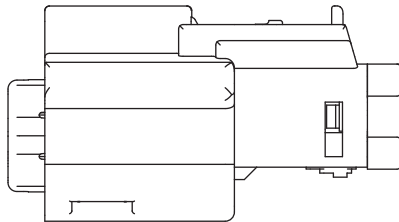
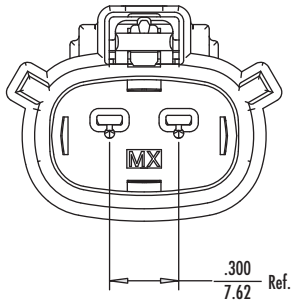
## 7.62mm (.300") Pitch MX150L™ Receptacle

19432

8,10,12 AWG  
 Single Row



## CATALOG DRAWING (FOR REFERENCE ONLY)



## ORDERING INFORMATION

| Circuits | Wire Range (AWG) | Mat Seal Color | Order No.  |
|----------|------------------|----------------|------------|
| 2        | 10-12            | Yellow         | 19432-0013 |
|          | 8                | Red            | 19432-0014 |



## FEATURES AND SPECIFICATIONS

### Features and Benefits

- Environmentally sealed to IP67
- Integrated mat wire seal and terminal position assurance
- High current
- Field serviceable contact removal system
- Simple crimp-and-poke application
- Tactile and audible mating feedback

### Reference Information

UL File No.: E152602  
 Designed in: Inches  
 Mates with: 19432  
 Use with: 19431

### Electrical

Dielectric Withstanding Voltage:  
 2200V AC min  
 Insulation Resistance: 1000 Megohms min.  
 Voltage: 600V

### Mechanical:

Mating Force: 75N max  
 Unmating Force: 75N max

### Physical

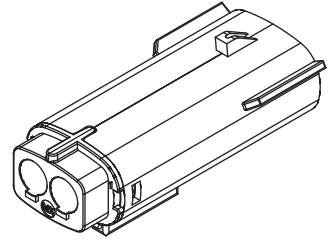
Housing: Glass-Filled PBT  
 Operating Temperature: -40 to +125°C



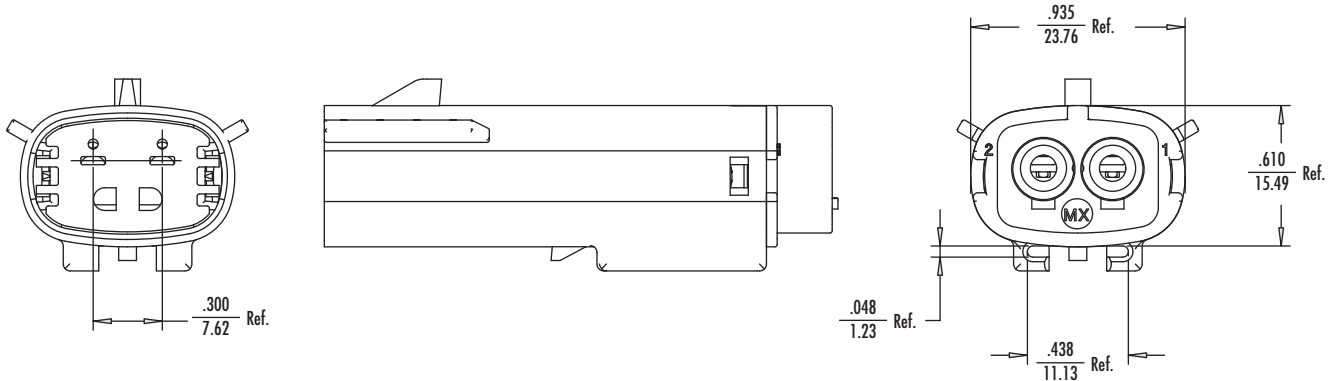
**7.62mm (.300") Pitch**  
**MX150L™**  
**Plug**

**19433**

**8,10,12 AWG**  
**Single Row**



## CATALOG DRAWING (FOR REFERENCE ONLY)



## ORDERING INFORMATION

| Circuits | Wire Range (AWG) | Mat Seal Color | Order No.  |
|----------|------------------|----------------|------------|
| 2        | 10-12            | Yellow         | 19433-0013 |
|          | 8                | Red            | 19433-0014 |

## FEATURES AND SPECIFICATIONS

### Features and Benefits

- Environmentally sealed to IP67
- Integrated mat wire seal and terminal position assurance
- High current
- Field serviceable contact removal system
- Simple crimp-and-poke application
- Tactile and audible mating feedback

### Reference Information

UL File No.: E152602  
 Designed in: Inches  
 Mates with: 19433  
 Use with: 19434

### Electrical

Dielectric Withstanding Voltage:  
 2200V AC min  
 Insulation Resistance: 1000 Megohms min.  
 Voltage: 600V

### Mechanical:

Mating Force: 75N max  
 Unmating Force: 75N max

### Physical

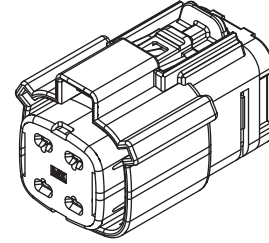
Housing: Glass-Filled PBT  
 Operating Temperature: -40 to +125°C



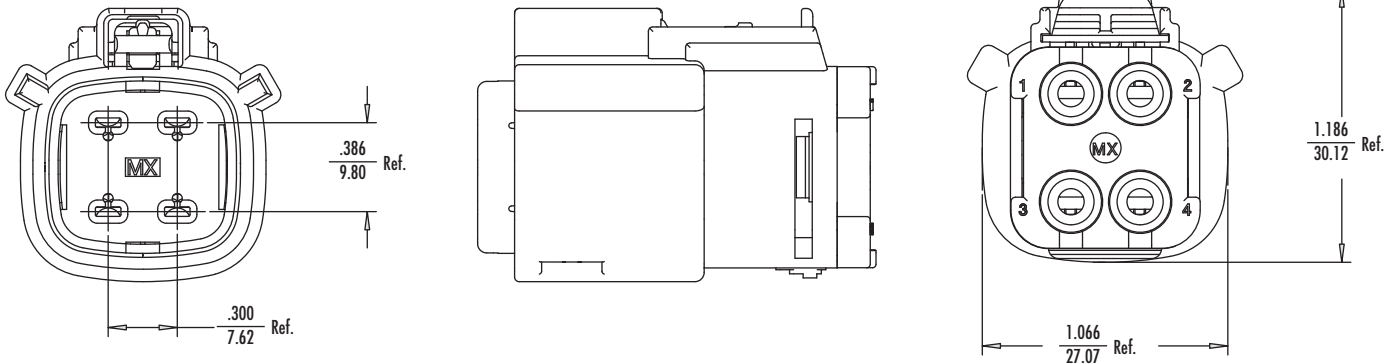
## 7.62mm (.300") Pitch MX150L™ Receptacle

**19432**

**8,10,12 AWG  
 Dual Row**



## CATALOG DRAWING (FOR REFERENCE ONLY)



## ORDERING INFORMATION

| Circuits | Wire Range (AWG) | Mat Seal Color | Order No.  |
|----------|------------------|----------------|------------|
| 4        | 10-12            | Yellow         | 19432-0001 |
|          | 8                | Red            | 19432-0002 |

## FEATURES AND SPECIFICATIONS

### Features and Benefits

- Environmentally sealed to IP67
- Integrated mat wire seal and terminal position assurance
- High current
- Field serviceable contact removal system
- Simple crimp-and-poke application
- Tactile and audible mating feedback

### Reference Information

UL File No.: E152602  
 Designed in: Inches  
 Mates with: 19432  
 Use with: 19431

### Electrical

Dielectric Withstanding Voltage:  
 2200V AC min  
 Insulation Resistance: 1000 Megohms min.  
 Voltage: 600V

### Mechanical:

Mating Force: 75N max  
 Unmating Force: 75N max

### Physical

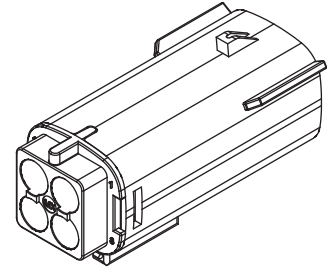
Housing: Glass-Filled PBT  
 Operating Temperature: -40 to +125°C



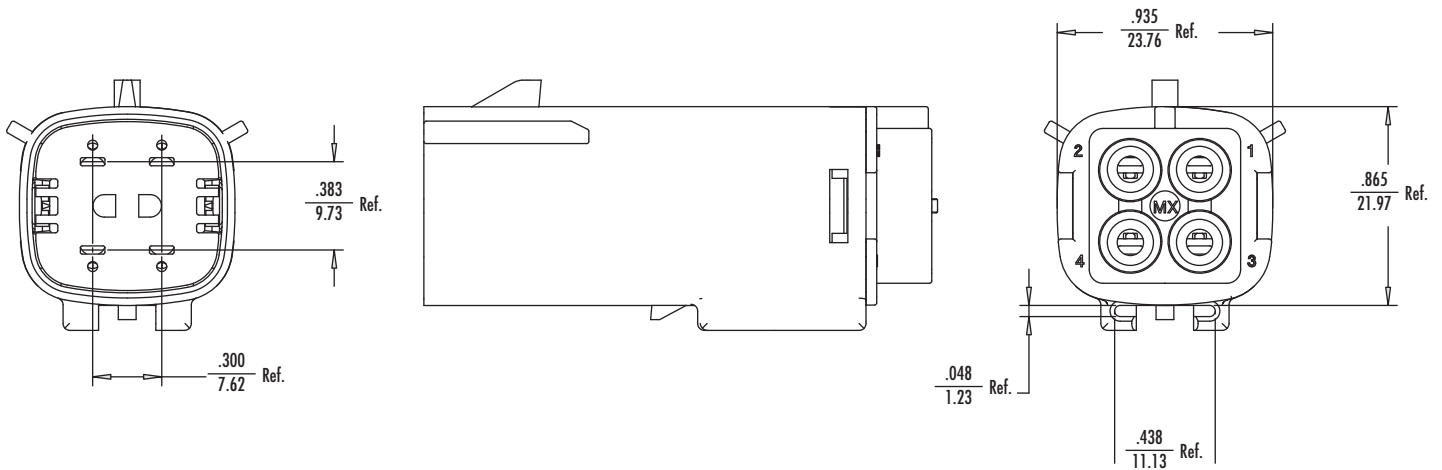
## 7.62mm (.300") Pitch MX150L™ Plug

**19433**

## 8,10,12 AWG Dual Row



## CATALOG DRAWING (FOR REFERENCE ONLY)



## ORDERING INFORMATION

| Circuits | Wire Range (AWG) | Mat Seal Color | Order No.  |
|----------|------------------|----------------|------------|
| 4        | 10-12            | Yellow         | 19433-0001 |
|          | 8                | Red            | 19433-0002 |

## FEATURES AND SPECIFICATIONS

### Features and Benefits

- Environmentally sealed to IP67
- Mates with existing MX150L receptacles
- Supports non-closed in panels
- Field serviceable contact removal system
- Tactile and audible mating feedback
- Blind hole boss feature eliminates leak path and reduces extra sealing process during assembly

### Reference Information

UL File No.: E152602  
 Designed in: Inches  
 Mates with: 19418  
 Use with: 19431

### Electrical

Dielectric Withstanding Voltage:  
 2200V AC min  
 Insulation Resistance: 1000 Megohms min.  
 Voltage: 600V

### Mechanical:

Mating Force: 75N max  
 Unmating Force: 75N max

### Physical

Housing: Glass-Filled PBT  
 Operating Temperature: -40 to +125°C

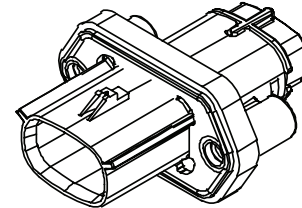


7.62mm (.300") Pitch  
 MX150L™

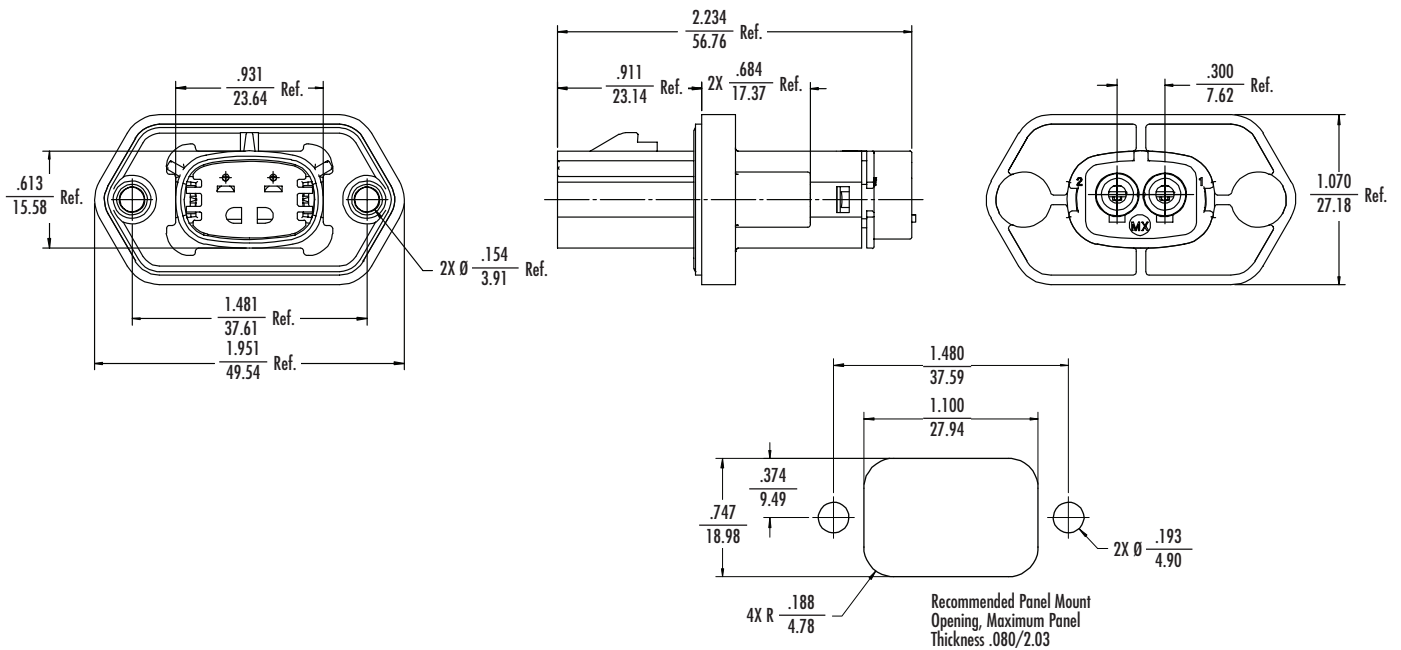
Sealed Panel Mount Plug

19436

Rear Mount Flange  
 Single Row



## CATALOG DRAWING (FOR REFERENCE ONLY)



## ORDERING INFORMATION

| Circuits | Wire Range (AWG) | Order No.   |                |            |
|----------|------------------|-------------|----------------|------------|
|          |                  | With Gasket | Without Gasket | Gasket     |
| 2        | 10-12            | 19436-0213  | 19436-0211     | 19436-0001 |
|          | 8                | 19436-0214  | 19436-0212     |            |

**Note:** Recommended Mounting Hardware: (2) #10 x .62/18.9 long, plastic thread cutting screws  
 Suggested Source: ITW Shake Proof Industrial Bosscrew or equivalent

## FEATURES AND SPECIFICATIONS

### Features and Benefits

- Environmentally sealed to IP67
- Mates with existing MX150L receptacles
- Supports non-closed in panels
- Field serviceable contact removal system
- Tactile and audible mating feedback
- Blind hole boss feature eliminates leak path and reduces extra sealing process during assembly

### Reference Information

UL File No.: E152602  
 Designed in: Inches  
 Mates with: 19418  
 Use with: 19431

### Electrical

Dielectric Withstanding Voltage:  
 2200V AC min  
 Insulation Resistance: 1000 Megohms min.  
 Voltage: 600V

### Mechanical:

Mating Force: 75N max  
 Unmating Force: 75N max

### Physical

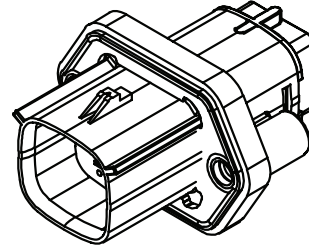
Housing: Glass-Filled PBT  
 Operating Temperature: -40 to +125°C



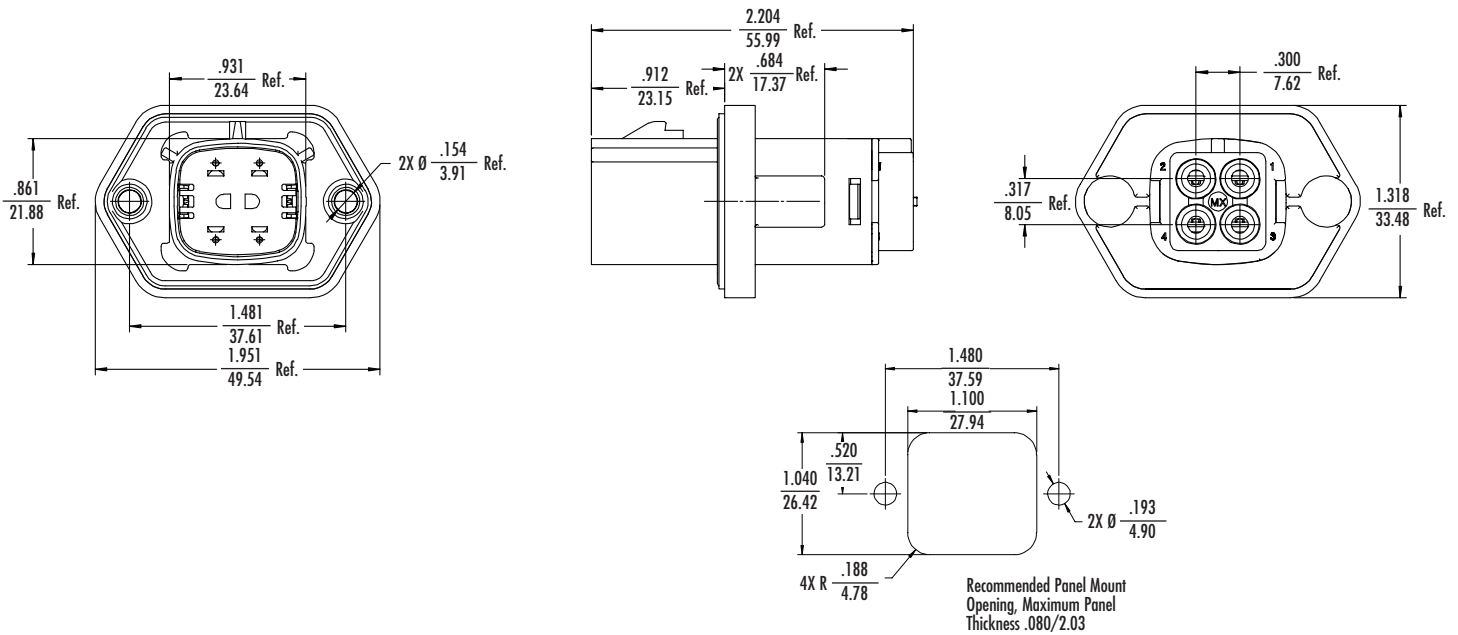
# 7.62mm (.300") Pitch MX150L™ Sealed Panel Mount Plug

## 19436

## Rear Mount Flange Dual Row



## CATALOG DRAWING (FOR REFERENCE ONLY)



## ORDERING INFORMATION

| Circuits | Wire Range (AWG) | Order No.   |                |            |
|----------|------------------|-------------|----------------|------------|
|          |                  | With Gasket | Without Gasket | Gasket     |
| 4        | 10-12            | 19436-0413  | 19436-0411     | 19436-0002 |
|          | 8                | 19436-0414  | 19436-0412     |            |

**Note:** Recommended Mounting Hardware: (2) #10 x .62/18.9 long, plastic thread cutting screws  
 Suggested Source: ITW Shake Proof Industrial Bosscrew or equivalent

## FEATURES AND SPECIFICATIONS

With the application of optional circuit plugs, the MX150L system supports the ability to implement sealed blank cavities in both plug and receptacle housings. The circuit plugs occupy and fully seal the unused cavity and can be extracted and replaced with a standard male blade or female receptacle terminal. This feature provides the ability to plan for possible future circuit additions while maintaining the sealing integrity of the mated pair.

### Reference Information

Use With: 19433 and 19432

### Physical

Material: Glass-Filled PBT

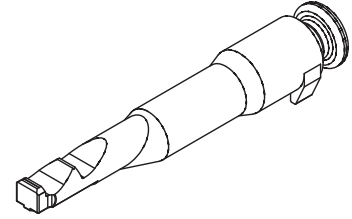
Operating Temperature: -40 to +125°C



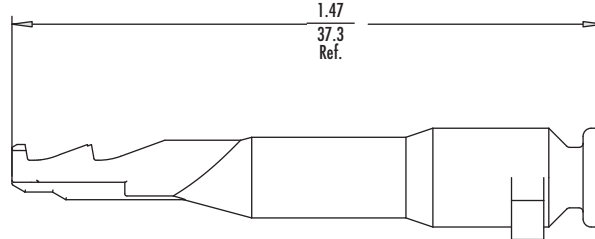
## 7.62mm (.300") Pitch MX150L™ Unused Cavity Circuit Plug

**19431**

**8,10,12 AWG**



## CATALOG DRAWING (FOR REFERENCE ONLY)



## ORDERING INFORMATION

| Housing Series | Order No.  |
|----------------|------------|
| 19433          | 19431-0013 |
| 19432          | 19431-0013 |

## FEATURES AND SPECIFICATIONS

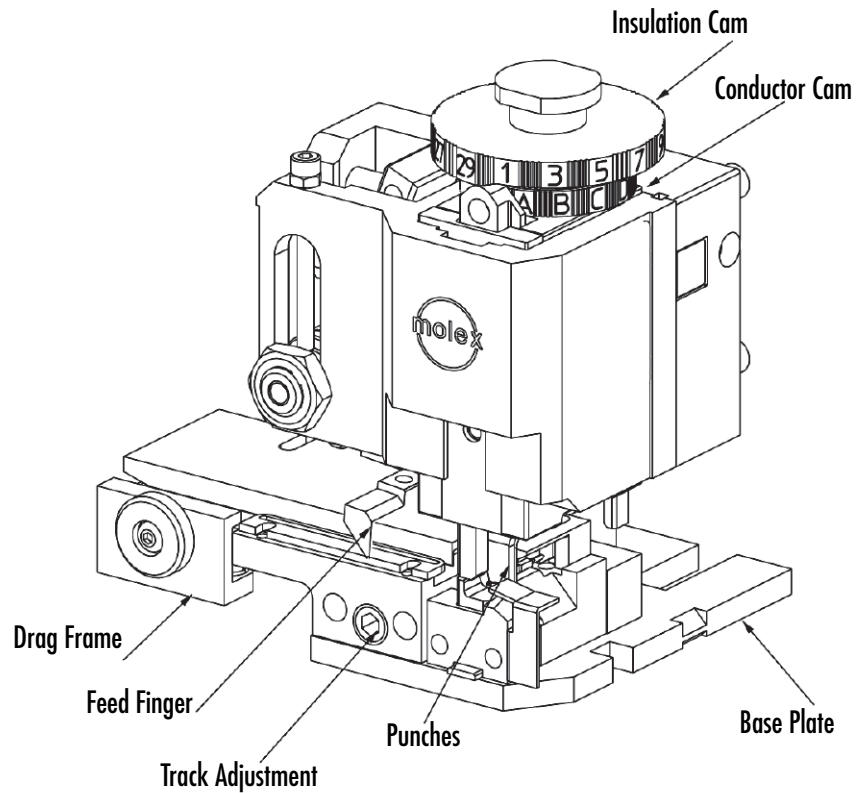


## Semi-Automatic Bench Top Crimp Press Tooling

### FineAdjust™ Applicator

#### Features and Benefits

- FineAdjust allows users to achieve target with little effort by adjusting on increments of 0.15mm (.0006") for conductor crimp height and .063mm (.0025") for insulation height
- Independent adjustment rings allow users to quickly adjust the conductor or insulation crimp height without affecting each other
- Quick tooling removal with the push of a button for fast and easy tooling change
- Track adjustment for bellmouth and cut-off tab is adjusted while the applicator is in the press for fast and easy setup
- Compatible with the Molex TM-2000™ Universal Press and most industry standard presses, however, it does not fit into Molex TM-40™/TM-42™ press
- Directly adapts to most automatic wire processing machines
- Quick set-up time; plus the crimp height, track and feed adjustments can be preset in applicator
- Applicator designed to industry standard mounting and shut height 135.80mm (5.346")
- FineAdjust available for most Molex brand terminals

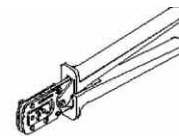


## FEATURES AND SPECIFICATIONS

#### Features and Benefits

- Ergonomically designed soft handles
- Precisely designed crimping profiles with simple contact positioning
- Easy handling due to outstanding force ratio
- This tool type reduces work related injuries

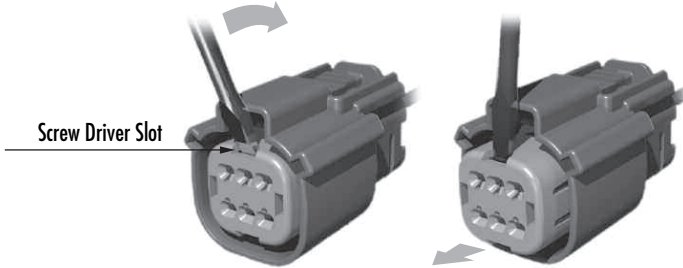
### Manual Hand Crimp Tool



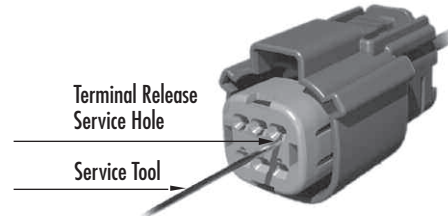
## ORDERING INFORMATION

| Terminal Series No.     | Terminal Type           | Tool Type                   | Order No.  | Wire Gauge AWG (mm) |
|-------------------------|-------------------------|-----------------------------|------------|---------------------|
| 19417/19420             | MX150L™ Male and Female | FineAdjust Applicator       | 63865-6000 | 14-16 (2.00-1.30)   |
| 19417/19420             | MX150L Male and Female  | Perishable Tool Kit         | 63865-6070 | 14-16 (2.00-1.30)   |
| 19417/19420             | MX150L Male and Female  | T2 Terminator Die           | 63855-6000 | 14-16 (2.00-1.30)   |
| 19417                   | MX150L Male             | FineAdjust Applicator       | 63865-6100 | 18-22 (0.80-0.35)   |
| 19417                   | MX150L Male             | Perishable Tool Kit         | 63865-6170 | 18-22 (0.80-0.35)   |
| 19417                   | MX150L Male             | T2 Terminator Die           | 63855-6100 | 18-22 (0.80-0.35)   |
| 19420                   | MX150L Female           | FineAdjust Applicator       | 63865-6200 | 18-22 (0.80-0.35)   |
| 19420                   | MX150L Female           | Perishable Tool Kit         | 63865-6270 | 18-22 (0.80-0.35)   |
| 19420                   | MX150L Female           | T2 Terminator Die           | 63855-6200 | 18-22 (0.80-0.35)   |
| 19417/19420             | MX150L Male and Female  | OEM PremiumGrade™ Hand Tool | 63811-4400 | 14-22 (2.00-0.35)   |
| 19417/19420             | MX150L Male and Female  | ServiceGrade™ Hand Tool     | 64016-0035 | 14-22 (2.00-0.35)   |
| 19434/19417/19420/19431 | MX150L Male and Female  | Terminal Extraction Tool    | 63813-1500 | 8-22 (.237-0.35)    |
| 19431/19434             | MX150L Male and Female  | FineAdjust Applicator       | 63832-5000 | 10-12 (3.94-4.45)   |
| 19431/19434             | MX150L Male and Female  | Perishable Tool Kit         | 63832-5070 | 10-12 (3.94-4.45)   |
| 19431/19434             | MX150L Male and Female  | OEM PremiumGrade Hand Tool  | 63811-5300 | 10-12 (3.94-4.45)   |
| 19431/19434             | MX150L Male and Female  | FineAdjust Applicator       | 63832-5100 | 8 (.237)            |
| 19431/19434             | MX150L Male and Female  | Perishable Tool Kit         | 63832-5170 | 8 (.237)            |
| 19431/19434             | MX150L Male and Female  | OEM PremiumGrade Hand Tool  | 63811-5400 | 8 (.237)            |
| 19431/19434             | MX150L Male and Female  | ServiceGrade Hand Tool      | 64016-0079 | 10-12 (3.94-4.45)   |
| 19431/19434             | MX150L Male and Female  | ServiceGrade Hand Tool      | 64016-0089 | 8 (.237)            |

- 1) Return TPA to pre-lock position
- Carefully insert a standard screw driver into slot on top of TPA.
  - Carefully pry TPA forward and listen for audible click.
  - TPA is now in pre-lock position.

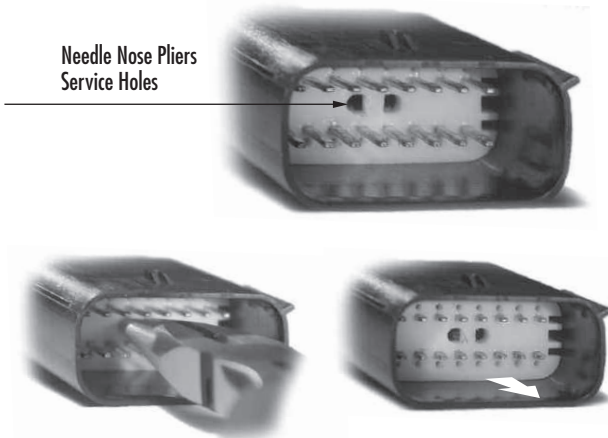


- 2) Release terminal from connector assembly
- Insert and drive forward extractor tool to release terminal.
  - Pull terminal from rear of connector.

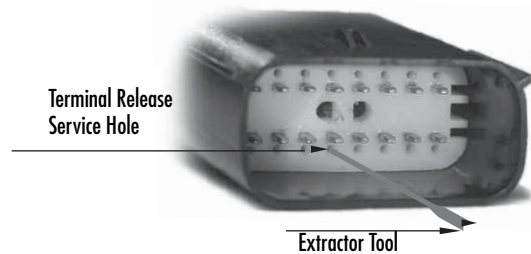


SEALED BLADE ASSEMBLY - SERVICEABILITY

- 1) Return TPA to pre-lock position
- Use standard needle nose pliers to return TPA to pre-lock position.
  - Insert needle nose pliers into service hole and carefully pull TPA.
  - Listen for loud audible click.
  - TPA is now in pre-lock position.

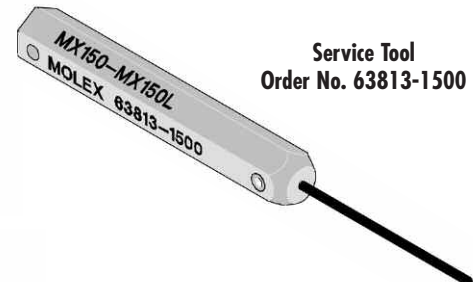
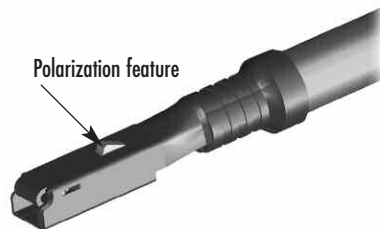


- 2) Release terminal from connector assembly
- Insert and drive forward extractor tool to release terminal.
  - Pull terminal from rear of connector.



TERMINAL INSTALLATION

Assure housing TPA is in pre-lock position. Align polarization feature on terminal with keyway in seal cap. Insert terminal and push until seated. Push receptacle TPA back to locked position. Plug TPA will return to locked position when mated with receptacle housing.



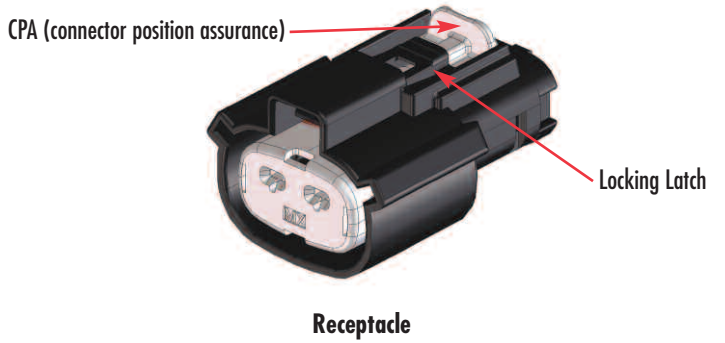
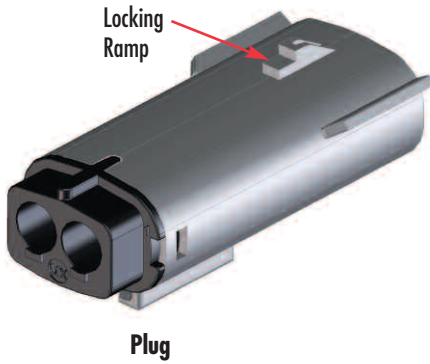
90° Mis-oriented Terminal

180° Mis-oriented Terminal

Correctly oriented Terminal

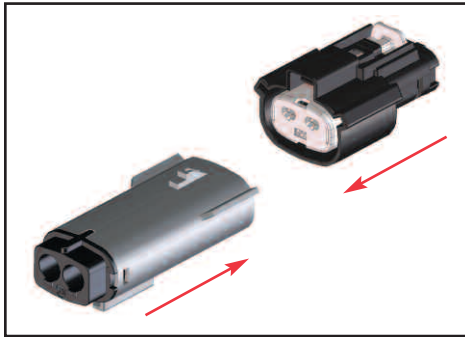




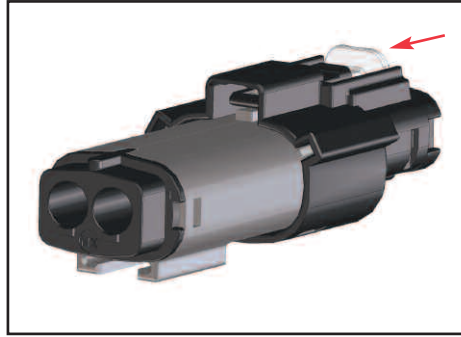


**To Mate:**

1. Firmly push connectors together until you feel them snap together, you should hear a click. This audible and tactile confirmation ensures the connectors are properly and fully mated.

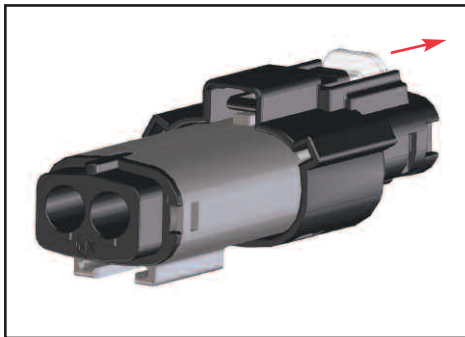


2. Press CPA towards plug to engage the secondary lock.



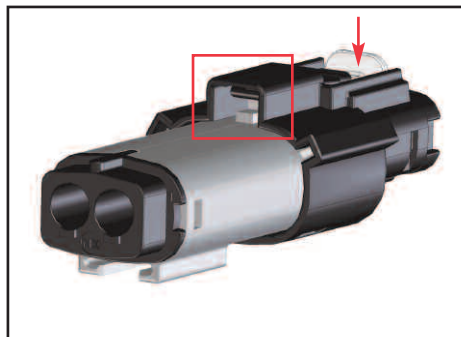
**To Unmate:**

1. Pull back CPA

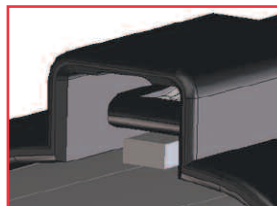
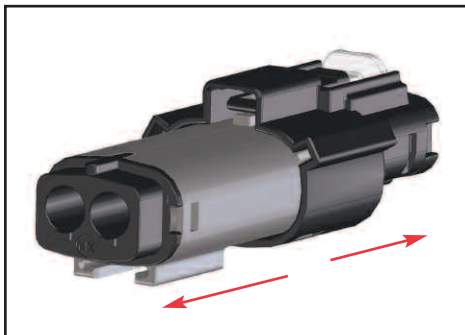


2. Fully depress locking latch

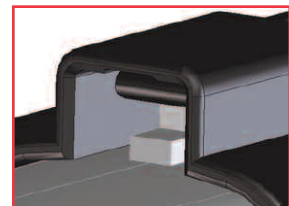
*Locking latch must be fully depressed to release the locking ramp on the plug and allow the connectors to be separated!*



3. Pull connectors apart



Locking latch shown down, cannot unmate connectors



Locking latch shown fully depressed, latch releases locking ramp







**Americas Headquarters**

Lisle, Illinois 60532 U.S.A.  
1-800-78MOLEX  
amerinfo@molex.com

**Asia Pacific North Headquarters**

Yamato, Kanagawa, Japan  
81-46-265-2325  
apninfo@molex.com

**Asia Pacific South Headquarters**

Jurong, Singapore  
65-6268-6868  
apsinfo@molex.com

**European Headquarters**

Munich, Germany  
49-89-413092-0  
eurinfo@molex.com

**Corporate Headquarters**

2222 Wellington Ct.  
Lisle, IL 60532 U.S.A.  
630-969-4550  
Fax: 630-969-1352

Visit our Web site at <http://www.molex.com>