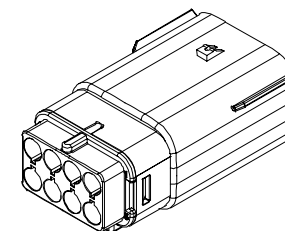
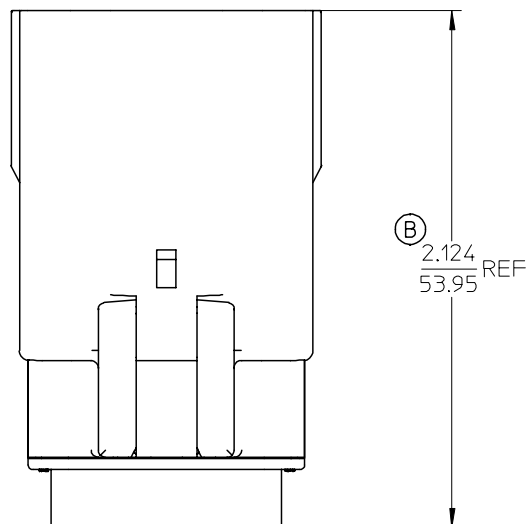
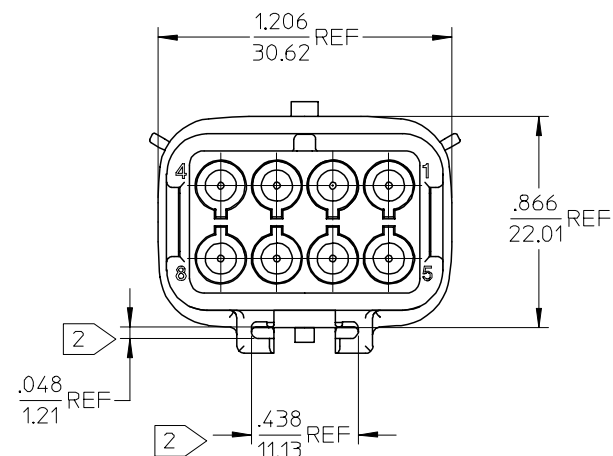
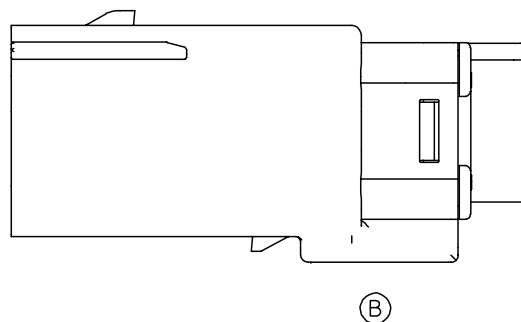
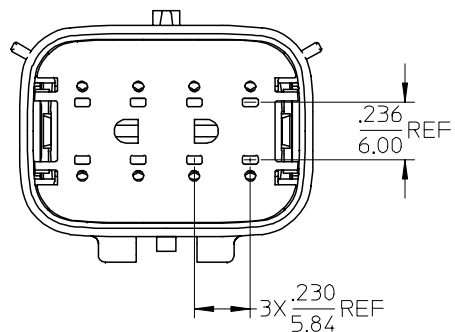


10 9 8 7 6 5 4 3 2 19419



ASSEMBLED VIEW
SCALE 1:1

194190002	8	16-14
194190001	8	22-18
MATERIAL NUMBER	CIRCUIT SIZE	UL WIRE AWG

NOTES:

1. ASSEMBLY BULK PACKAGED PER PK-19419-001
2. MOUNTING SLOT DIMENSIONS.
3. USE CONNECTOR WITH MALE CRIMP TERMINAL: SERIES 19417.

EC NO: ETC2004-0202 DRWN: DMYRICK 2004/06/03 CHKD: JPAWLIC 2004/06/03 APPR: JPAWLIC 2004/06/03	QUALITY SYMBOLS	GENERAL TOLERANCES (UNLESS SPECIFIED)		SCALE 2:1	DESIGN UNITS INCH	THIRD ANGLE PROJECTION	REVISE ON CAD ONLY
	DESCRIPTION ▼ = 0 ∇ = 0		mm	INCH	DIMENSION STYLE IN/MM		TITLE
		4 PLACES	± ---	± ---			8 WAY PLUG ASSEMBLY MOLEX INCORPORATED
		3 PLACES	± ---	± .005	DRAWN BY B.RUPERT	DATE 12/06/02	
2 PLACES	± 0.13	± .01	CHECKED BY J.PAWLIC	DATE 12/06/02			
	1 PLACE	± 0.25	± ---	APPROVED BY R.DEROSS		MATERIAL NO. SEE CHART	DOCUMENT NO. SD-19419-003
		ANGULAR ±1/2°		DATE 12/06/02		SHEET NO. 1 OF 1	
		DRAFT WHERE APPLICABLE		THIS DRAWING CONTAINS INFORMATION THAT IS PROPRIETARY TO MOLEX INCORPORATED AND SHOULD NOT BE USED WITHOUT WRITTEN PERMISSION			
		MUST REMAIN WITHIN DIMENSIONS					

8 7 6 5 4 3 2 1