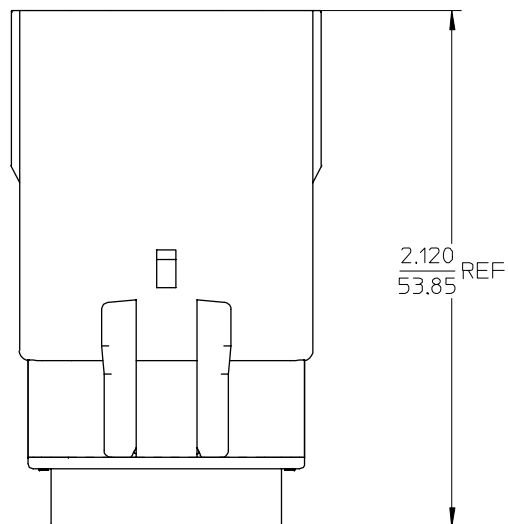
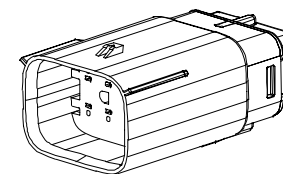
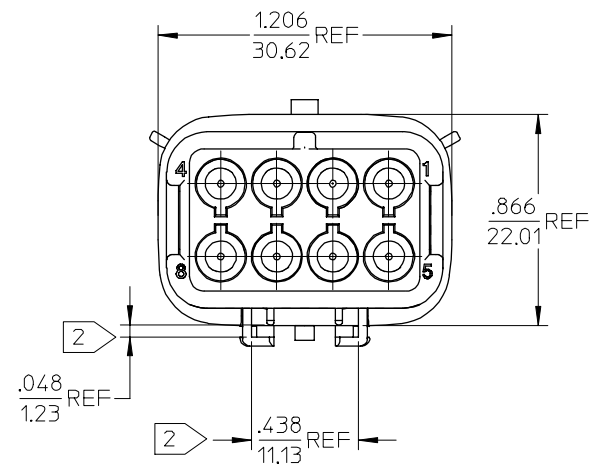
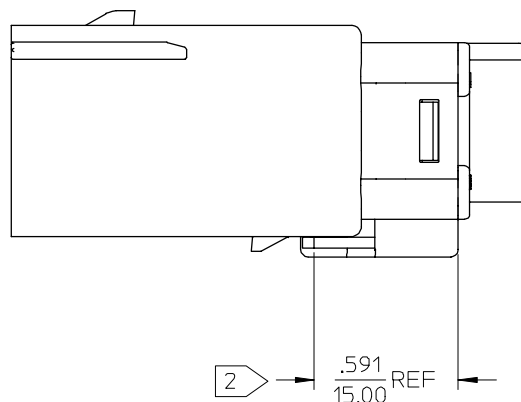
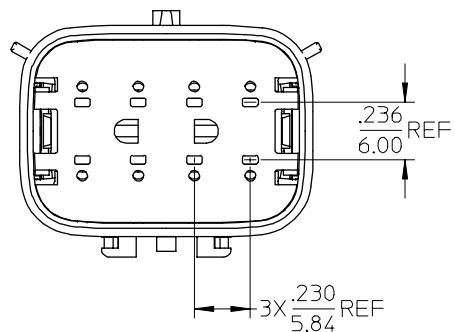


10 9 8 7 6 5 4 3 2 19419



NOTES:

1. ASSEMBLY BULK PACKAGED PER PK-19417-001
2. MOUNTING SLOT DIMENSIONS.
3. USE CONNECTOR WITH MALE CRIMP TERMINAL: SERIES 19417.

19419-0002	8	16-14
19419-0001	8	22-18
MATERIAL NUMBER	CIRCUIT SIZE	UL WIRE AWG

EC NO: ETC2003-0150 DRWN:BRUPERT 2002/12/16 CHKD:JPAWLIC 2002/12/17 APPR:RDEROSS 2002/12/17	QUALITY SYMBOLS	GENERAL TOLERANCES (UNLESS SPECIFIED)		SCALE 1:1	DESIGN UNITS INCH	THIRD ANGLE PROJECTION	REVISE ON CAD ONLY	
	▽ = 0 ◻ = 0	4 PLACES	± ---	± ---	DIMENSION STYLE IN/MM		TITLE 8 WAY PLUG ASSEMBLY	
		3 PLACES	± ---	± .005	DRAWN BY B.RUPERT	DATE 12/06/02		
		2 PLACES	± 0.13	± .01	CHECKED BY J.PAWLIC	DATE 12/06/02		
	1 PLACE	± 0.25	± ---	APPROVED BY R.DEROSS		MATERIAL NO. SEE CHART		
	ANGULAR ± 1/2°		DRAFT WHERE APPLICABLE		DATE 12/06/02	DOCUMENT NO. SD-19419-003	SHEET NO. 1 OF 1	
	MUST REMAIN WITHIN DIMENSIONS		THIS DRAWING CONTAINS INFORMATION THAT IS PROPRIETARY TO MOLEX INCORPORATED AND SHOULD NOT BE USED WITHOUT WRITTEN PERMISSION					

8 7 6 5 4 3 2 1