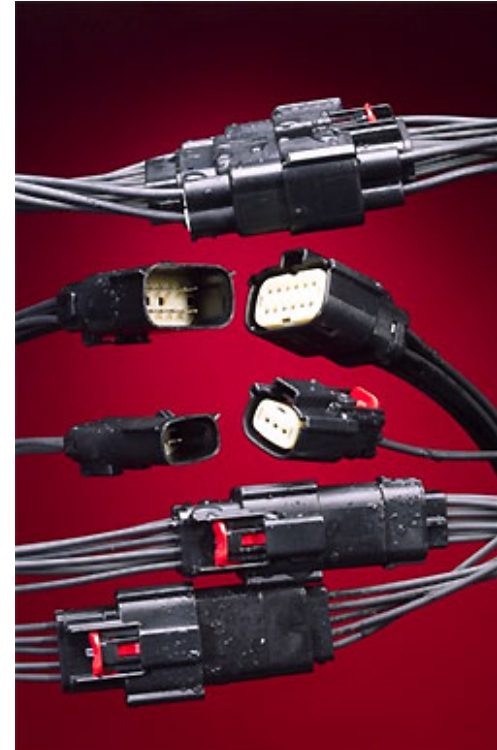


# MX150L Connector Systems

- Developed for the transportation industry to stand up to the harsh environments which create mechanical stresses and extreme exposure to the elements
- High power sealed system
  - Up to 40 amps per circuit
  - 8-22awg
  - Up to 16 circuits per connector
  - Used with thick insulation wires
- Supports OEM requirements
  - High corrosion resistance
  - Ease of assembly
  - Reduction of OEM warranty issues
  - USCAR II Class 3 & UL1977 rated



**molex**

# Features and Benefits

- **Superior Performance**
  - Superior electrical performance & reliability
  - IP67 rated
- **Easy to Use**
  - Product shipped in one piece
    - No loose parts to assemble – TPA, CPA seals etc...
  - Matte seal technology - no wire seal crimping
- **Simple to service**
  - Needle nose pliers, standard screwdriver
  - Terminal extraction tool



# Variations



- Positive lock for connector mating assurance
- Loud audible click
- Sold with or without CPA
- Low applied cost solution: matte seal design vs. individual wire seal design
- Pre-loaded TPA
- Multiple configurations
  - Wire to wire
  - Wire to board
  - Wire to panel mount
- Panel mount option with mounting flange
  - Includes a separate molded seal that can be applied on either side of the flange



# Sealing Strengths



## Competition



### No rear cap:

- When wires are pulled to the side, the seal has the potential to open which exposes the connector to leaks

## MX150



### With rear cap:

- Seals are imbedded inside the connector. The bend radius starts past the end of the seal to eliminate separation and leaks

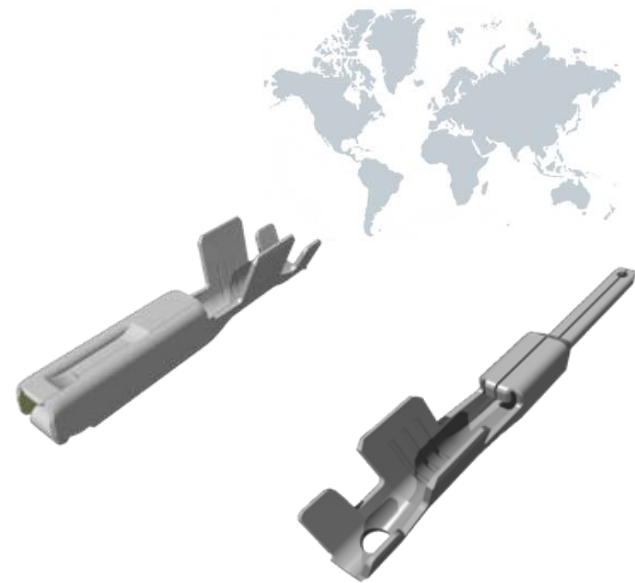


# Product Features

## *Terminal Design*

### ■ Terminal design

- Engineered balance between opposing requirements
  - Low insertion force
  - Superior electric performance
  - Proven mechanical reliability
- Plating options
  - Tin (matte finish)
  - Gold (30  $\mu$ " min.)
  - Silver (semi-bright)

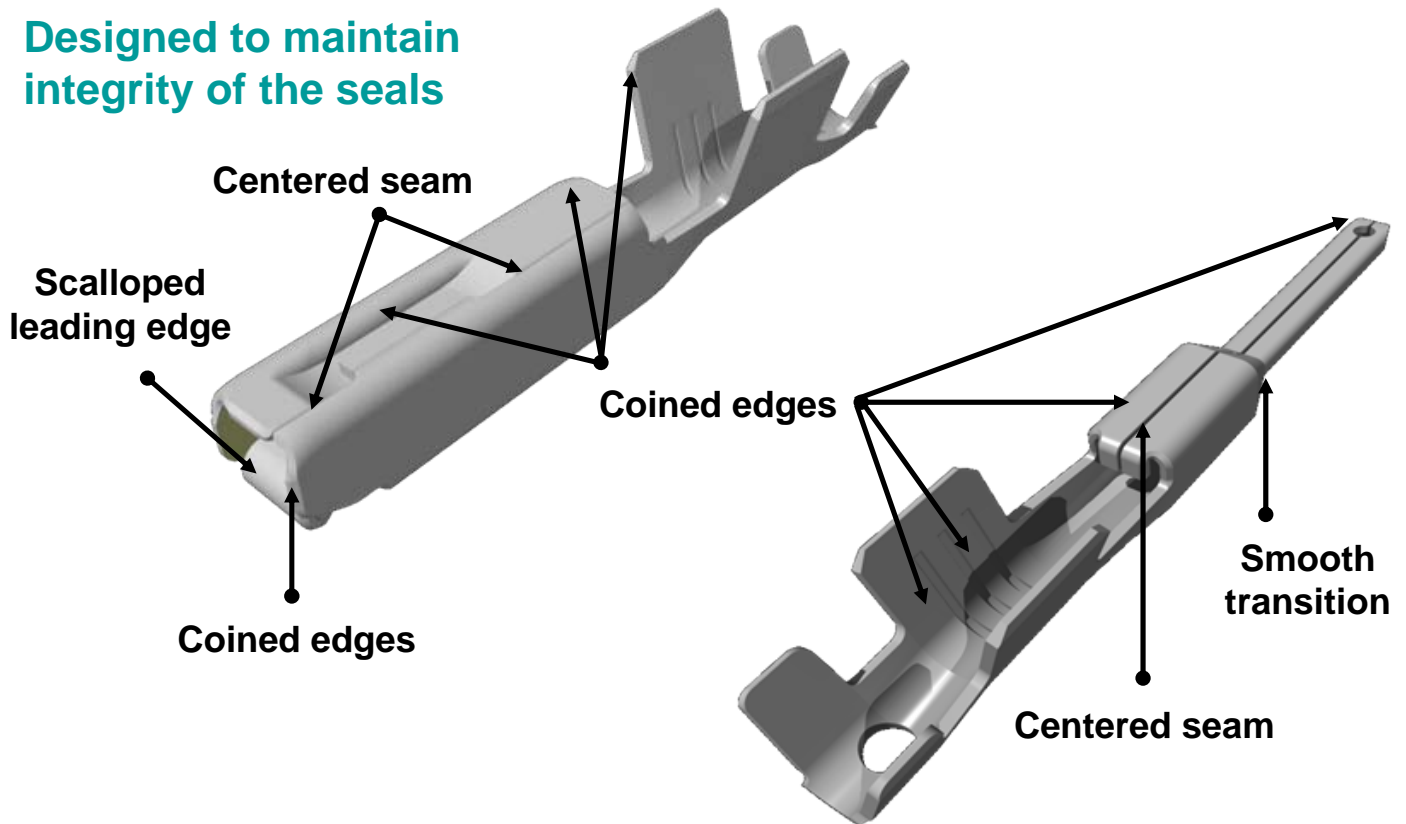


# Product Details



## Matte seal friendly terminal features

Designed to maintain integrity of the seals



# Tooling



- Industry standard applicators
- Hand crimp tools for field repairs
- Terminal extraction tool (right) for field servicing

