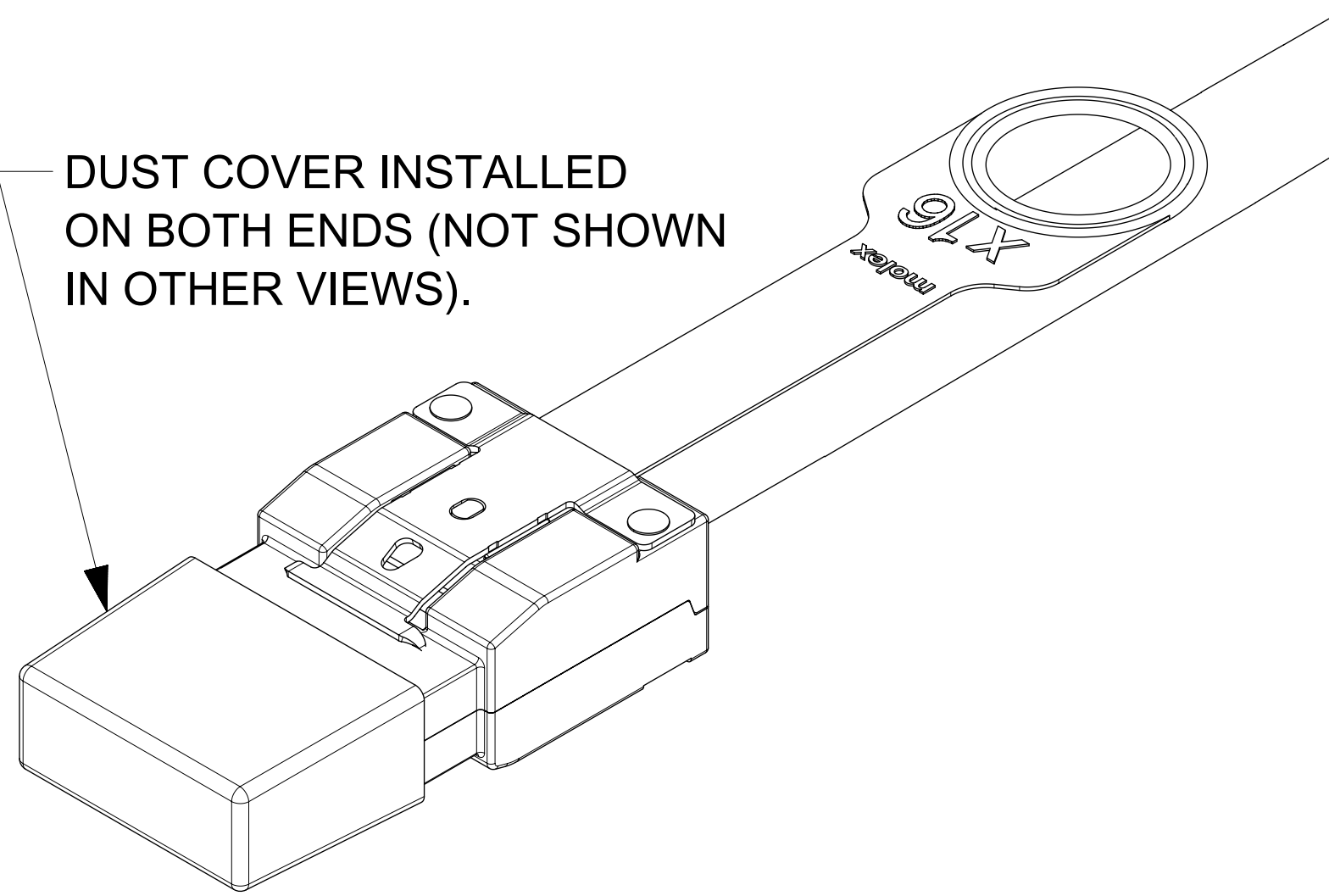


MOLEX PART NUMBER	LENGTH (M)	TOLERANCE (M)	DATA RATE (Gbps)	AWG	IMPEDANCE (Ohms)
2010691000	0.5	± 0.05	25	30	90
2010691001	1.0	± 0.05	25	30	90
2010691002	1.5	± 0.08	25	30	90
2010691003	2.0	± 0.08	25	30	90
2010691004	2.5	± 0.08	25	30	90



DUST COVER INSTALLED ON BOTH ENDS (NOT SHOWN IN OTHER VIEWS).

- NOTES:
- MATERIALS:
 BACKSHELLS - ZINC DIE CAST WITH BRIGHT NICKEL PLATING
 LATCH - STAINLESS STEEL
 PULL - NYLON
 RIVETS - STAINLESS STEEL
 - PLUG MATES TO CONNECTOR SERIES 173359, CDFP STYLE 1 KEY.
 - RoHS COMPLIANT, NO EXEMPTIONS.
 - P/N LABELS REQUIRED ON BOTH ENDS FOR CABLES OVER 1M.
 - EPROM MAP AVAILABLE UPON REQUEST.

THIS DRAWING CONTAINS INFORMATION THAT IS PROPRIETARY TO MOLEX INCORPORATED AND SHOULD NOT BE USED WITHOUT WRITTEN PERMISSION

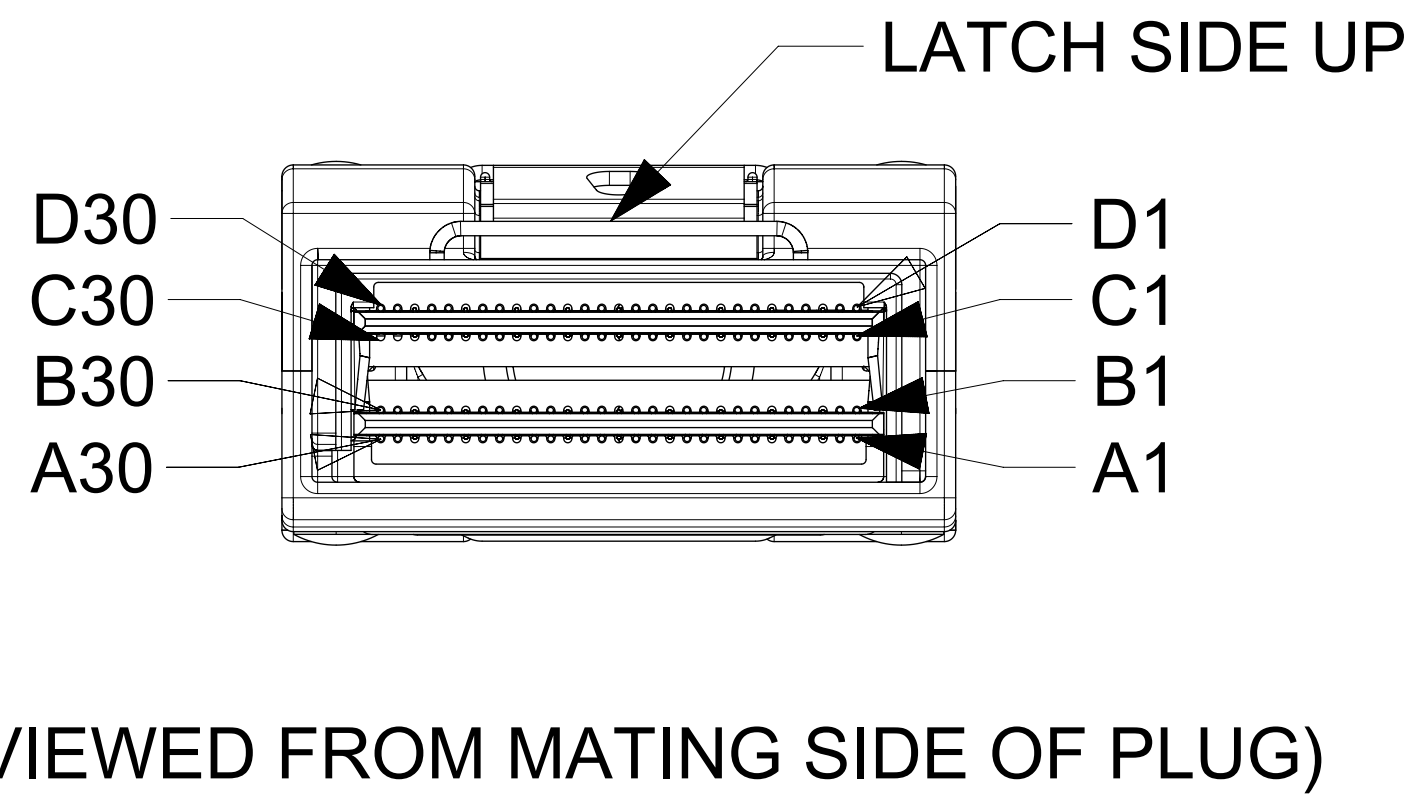
EC DESCRIPTION 16X CDFP CABLE 25 GBPS, GENERAL MARKET	QUALITY SYMBOLS ▽ = 0 ▽ = 0 ▽ = 0 ▽ = 0 ▽ = 0 ▽ = 0 ▽ = 0 ▽ = 0 ▽ = 0 ▽ = 0	GENERAL TOLERANCES (UNLESS SPECIFIED) ANGULAR TOL ± 4 PLACES ± 3 PLACES ± 2 PLACES ± 1 PLACE ± 0 PLACES ± DRAFT WHERE APPLICABLE MUST REMAIN WITHIN DIMENSIONS	DIMENSION UNITS mm	SCALE 2:1	DRWN BY DMCENTIRE	DATE 2016/05/25					
EC NO. 167205 DRWN. JREEVES CHKD. JALEXANDER REV APPR. JALEXANDER 2017/02/28	APPR BY JREEVES	DATE 2017/01/04	APPR BY CHIRSCHY	DATE 2017/01/09	SERIES 201069	MATERIAL NUMBER SEE TABLE	CUSTOMER	DOCUMENT NUMBER 2010691000	DOC TYPE PSD	DOC PART 000	SHEET NUMBER 1 OF 2

PINOUT

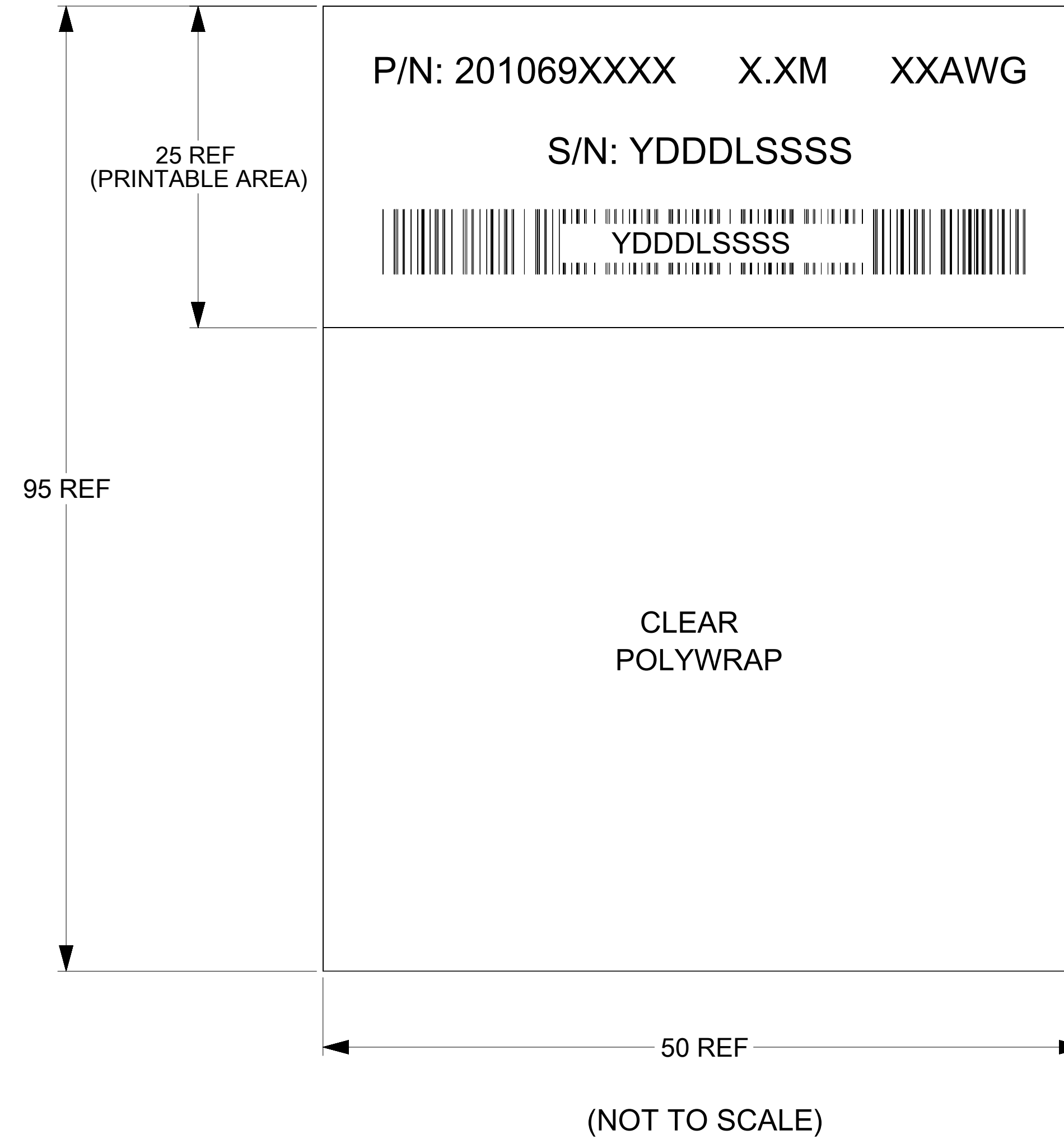
PIN	F	SIGNAL	TYPE	PIN	F	SIGNAL
A1	L	GND	C C	C1	L	GND
A2	S	TX14		C2	S	RX14
A3	S	TX14		C3	S	RX14
A4	L	GND	C C	C4	L	GND
A5	S	TX12		C5	S	RX12
A6	S	TX12		C6	S	RX12
A7	L	GND	C C	C7	L	GND
A8	S	TX10		C8	S	RX10
A9	S	TX10		C9	S	RX10
A10	L	GND	C C	C10	L	GND
A11	S	TX8		C11	S	RX8
A12	S	TX8		C12	S	RX8
A13	L	GND	C C	C13	L	GND
A14	L	Reserved	□ □	C14	L	SDA2
A15	L	Rst1L	□ □	C15	L	SCL2
A16	L	GND	C C	C16	L	GND
A17	S	RX6		C17	S	TX6
A18	S	RX6		C18	S	TX6
A19	L	GND	C C	C19	L	GND
A20	S	RX4		C20	S	TX4
A21	S	RX4		C21	S	TX4
A22	L	GND	C C	C22	L	GND
A23	S	RX2		C23	S	TX2
A24	S	RX2		C24	S	TX2
A25	L	GND	C C	C25	L	GND
A26	S	RX0		C26	S	TX0
A27	S	RX0		C27	S	TX0
A28	L	GND	C C	C28	L	GND
A29	L	Int1L	□ □	C29	L	Vcc
A30	L	Vcc	□ □	C30	L	Vcc
B1	L	GND	C C	D1	L	GND
B2	S	TX15		D2	S	RX15
B3	S	TX15		D3	S	RX15
B4	L	GND	C C	D4	L	GND
B5	S	TX13		D5	S	RX13
B6	S	TX13		D6	S	RX13
B7	L	GND	C C	D7	L	GND
B8	S	TX11		D8	S	RX11
B9	S	TX11		D9	S	RX11
B10	L	GND	C C	D10	L	GND
B11	S	TX9		D11	S	RX9
B12	S	TX9		D12	S	RX9
B13	L	GND	C C	D13	L	GND
B14	L	SDA1	□ □	D14	L	ModPrsL
B15	L	SCL1	□ □	D15	L	Rst2L
B16	L	GND	C C	D16	L	GND
B17	S	RX7		D17	S	TX7
B18	S	RX7		D18	S	TX7
B19	S	GND	C C	D19	S	GND
B20	S	RX5		D20	S	TX5
B21	S	RX5		D21	S	TX5
B22	L	GND	C C	D22	L	GND
B23	S	RX3		D23	S	TX3
B24	S	RX3		D24	S	TX3
B25	L	GND	C C	D25	L	GND
B26	S	RX1		D26	S	TX1
B27	S	RX1		D27	S	TX1
B28	L	GND	C C	D28	L	GND
B29	L	Vcc	□ □	D29	L	Int2L
B30	L	Vcc	□ □	D30	L	Vcc

FINGER CONTACT MATING (F):
 L = FIRST MATE (LONG FINGERS)
 M = SECOND MATE (MIDDLE FINGERS)
 S = LAST MATE (SHORT FINGERS)

CONNECTION TYPE:
 C = COMMON GROUND
 = TRANSMIT TO RECEIVE ON HIGH SPEED
 □ = CONNECTION TO A CIRCUIT ON THE PADDLE CARD

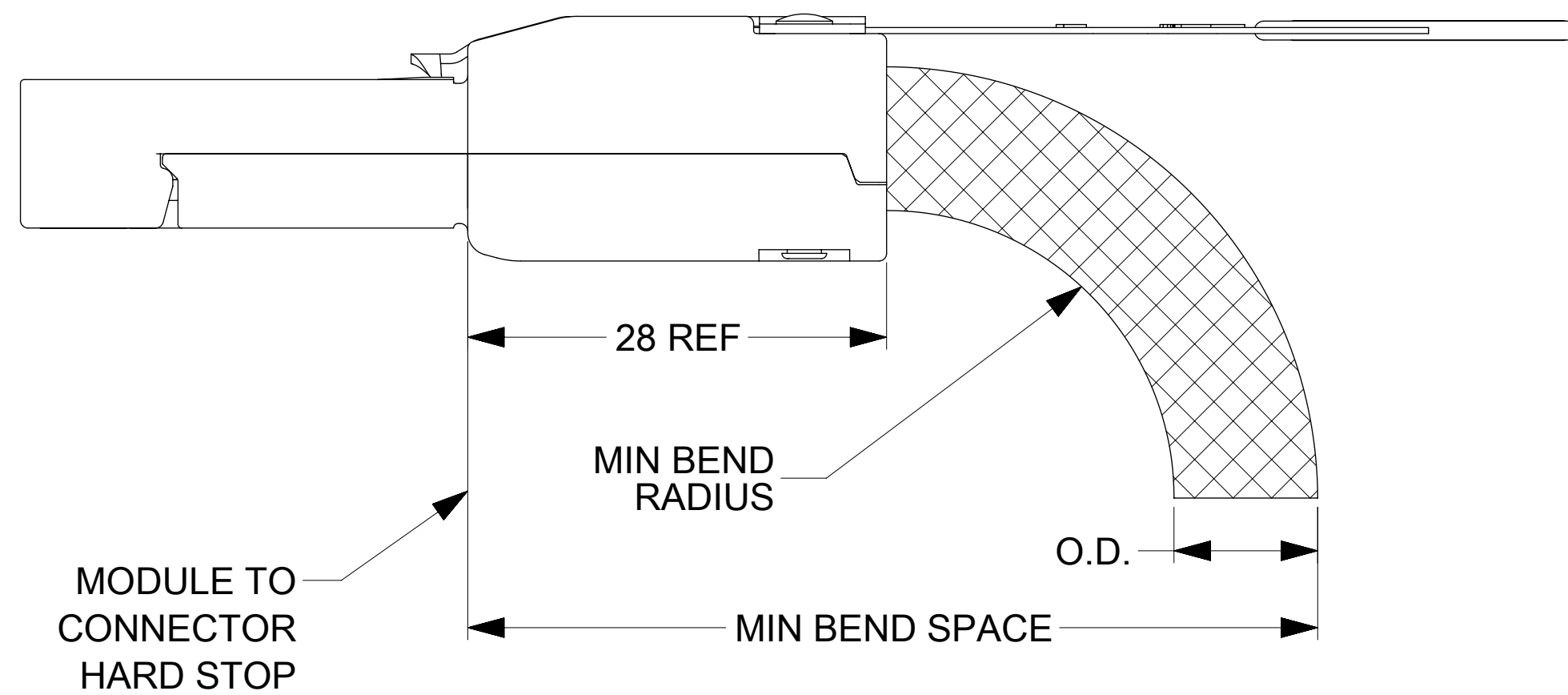


CABLE LABEL DETAIL



LABEL NOTES:

- X.XM-LENGTH (EXAMPLE: 1.0M, 3.0M, 5.0M, ETC.)
XXAWG-WIRE GAUGE (EXAMPLE: 30AWG)
- BARCODE MUST MATCH PRINTED SERIAL NUMBER (BARCODE CODE 39)
SERIAL NUMBER YDDDLSSSS
Y-YEAR, THE LAST DIGIT OF THE YEAR
DDD-DAY OF THE YEAR
L-MANUFACTURING LOCATION
1=USA
2=MEXICO
3=CHINA
SSSS-SERIAL NUMBER (0001-9999)
- LABEL FONT-ZEBRA FONT 0
- SINGLE SPACE AFTER COLONS



AWG	O.D. (mm)	MINIMUM BEND RADIUS (mm)	MINIMUM BEND SPACE (mm)
30	9.5	47.5	85

THIS DRAWING CONTAINS INFORMATION THAT IS PROPRIETARY TO MOLEX INCORPORATED AND SHOULD NOT BE USED WITHOUT WRITTEN PERMISSION

EC DESCRIPTION EC NO: 167205 DRWN: JREEVES CHKD: JALEXANDER REV APPR: ALEXANDER 2017/02/28	QUALITY SYMBOLS ▽ = 0 ▽ = 0 ▽ = 0 ▽ = 0 ▽ = 0 ▽ = 0 ▽ = 0	GENERAL TOLERANCES (UNLESS SPECIFIED) ANGULAR TOL ± 4 PLACES ± 3 PLACES ± 2 PLACES ± 1 PLACE ± 0 PLACES ± DRAFT WHERE APPLICABLE MUST REMAIN WITHIN DIMENSIONS	DIMENSION UNITS mm	SCALE 1:1	DRWN BY DMCENTIRE DATE 2016/05/25	CHKD BY JREEVES DATE 2017/01/04	APPR BY CHIRSCHY DATE 2017/01/09	SERIES 201069	MATERIAL NUMBER SEE TABLE	CUSTOMER 16X CDFP CABLE 25 GBPS, GENERAL MARKET	
PRODUCT CUSTOMER DRAWING								DOCUMENT NUMBER 2010691000	DOC TYPE PSD	DOC PART 000	SHEET NUMBER 2 OF 2