

1. 製品名称／PRODUCT NAME : SPOT-ON W/B SINGLE ROW SMT REC HSG

製品番号／PART NUMBER : 2012002\*\*☆

(\*\*は極数を示し、☆は色を示す。図面参照。)

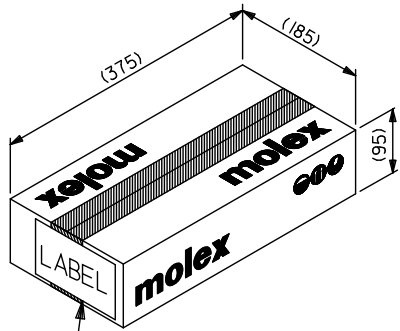
(\*\* SHOWS CIRCUITS SIZE.☆ IS COLOR. REFER TO DRAWING.)

2. 標準梱包数／STANDARD PACKAGING QUANTITY

極 数 CKT. SIZE	ポリ袋 POLY BAG	内装カートン PRIMARY CARTON		外装カートン SHIPPING CARTON
	1袋中の製品数 QUANTITY IN ONE BAG	ポリ袋の数 NUMBER OF POLY BAG	製品数 QUANTITY	製品数(内装カートン×4) QUANTITY (PRIMARY CARTON X4)
2	200	6	1,200	4,800
3	200	6	1,200	4,800
4	200	5	1,000	4,000
5	200	5	1,000	4,000
6	200	5	1,000	4,000
7	100	6	600	2,400
8	100	6	600	2,400
9	100	6	600	2,400
10	50	6	300	1,200
11	50	6	300	1,200
12	50	6	300	1,200
13	50	6	300	1,200
14	50	6	300	1,200
15	50	6	300	1,200
16	50	6	300	1,200

REV.	D						
SHEET	1~2						
REVISE ON PC ONLY			TITLE:				
<b>D</b>	REVISED 168573 2017/11/24 Y.TOKUZONO		201200梱包仕様書 SALES PACKAGING SPEC. FOR 201200				
	REV. DESCRIPTION		THIS DOCUMENT CONTAINS INFORMATION THAT IS PROPRIETARY TO MOLEX ELECTRONIC TECHNOLOGIES, LLC AND SHOULD NOT BE USED WITHOUT WRITTEN PERMISSION				
DESIGN CONTROL	J	STATUS	WRITTEN BY: YTOKUZONO	CHECKED BY: K.TAKAHASHI	APPROVED BY: M.SASAO	DATE: 2017/03/13	
DOCUMENT NUMBER 2012009200			DOC. TYPE PS	DOC. PART 200	CUSTOMER GENERAL		SHEET 1 OF 2

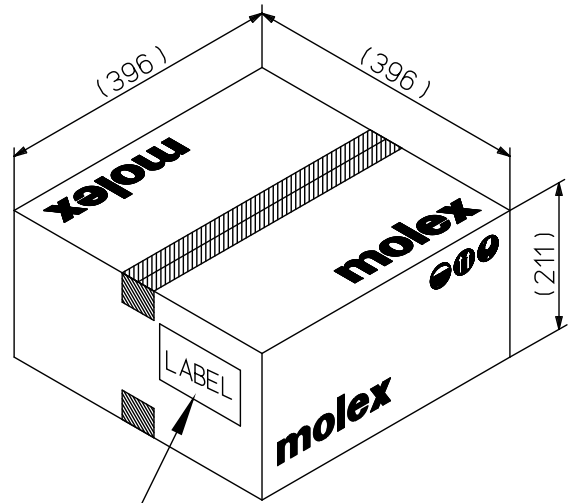
3. カートン外形参考寸法 / CARTON OUTER DIMENSIONS (REFERENCE PURPOSE ONLY) 単位 / UNIT: mm



カートンラベル  
CARTON LABEL

(製品型番, 数量, ロットNO. 表示)  
INDICATION OF PART No., QUANTITY, LOT No.

内装カートン  
PRIMARY CARTON



カートンラベル  
CARTON LABEL

(製品型番, 数量, ロットNO. 表示)  
INDICATION OF PART No., QUANTITY, LOT No.

外装カートン  
SHIPPING CARTON

REVISE ON PC ONLY		TITLE:			
<b>D</b>	SEE SHEET 1 OF 2	201200梱包仕様書 SALES PACKAGING SPEC. FOR 201200			
	REV.	DESCRIPTION	THIS DOCUMENT CONTAINS INFORMATION THAT IS PROPRIETARY TO MOLEX ELECTRONIC TECHNOLOGIES, LLC AND SHOULD NOT BE USED WITHOUT WRITTEN PERMISSION		
DOCUMENT NUMBER 2012009200		DOC. TYPE PS	DOC. PART 200	CUSTOMER GENERAL	SHEET 2 OF 2