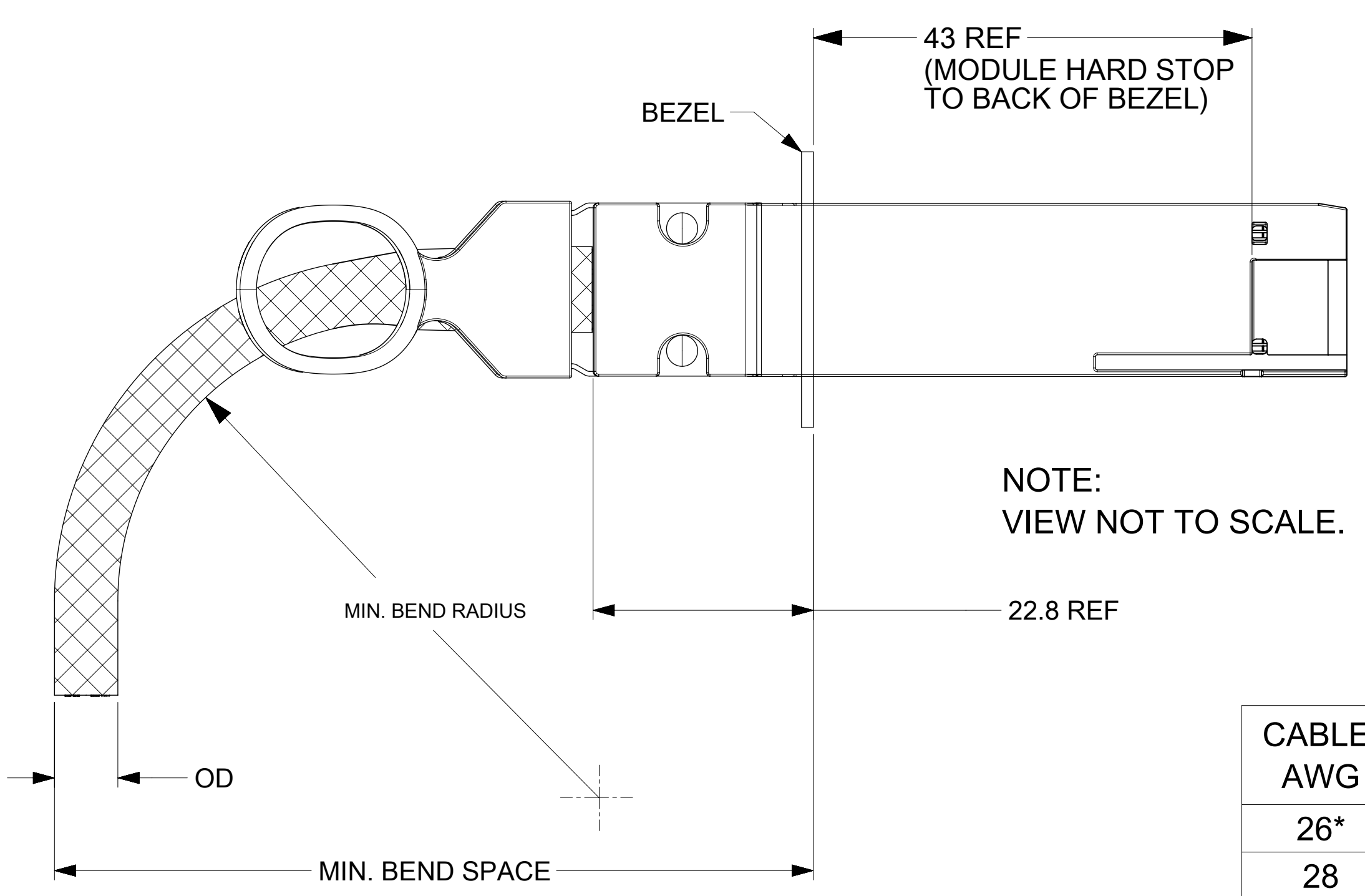


- NOTES:**
- CABLE LENGTH DEPENDS ON WIRE GAUGE, DATA RATE, AND HOST BOARD DRIVER CAPABILITIES
 - MATERIALS:**
 - BACKSHELLS - ZINC DIE CAST WITH BRIGHT NICKEL PLATING
 - DELATCH - STAINLESS STEEL WITH OVERMOLDED NYLON
 - RIVETS - STAINLESS STEEL
 - IMPEDANCE - 100 OHMS DIFFERENTIAL
 - BUNDLED CABLE RATED UL VW-1 FLAME PER UL STYLE 21479
 - EEPROM MAP AVAILABLE UPON REQUEST
 - RoHS COMPLIANT, NO EXEMPTIONS

FUNCTIONAL SYMBOLS FA = 0 FE = 0 FP = 0 DIVISIONAL SYMBOLS	THIS DRAWING CONTAINS INFORMATION THAT IS PROPRIETARY TO MOLEX ELECTRONIC TECHNOLOGIES, LLC AND SHOULD NOT BE USED WITHOUT WRITTEN PERMISSION		CURRENT REV DESC: UPDATED WIRING DIAGRAM				
	DIMENSION UNITS mm	SCALE 2:1	GENERAL TOLERANCES (UNLESS SPECIFIED)				
	ANGULAR TOL ± 5.0°		EC NO: 637688 DRWN: KNAGANNA 2020/05/05 CHK'D: BHADAGINAL 2020/05/15 APPR: KNAGANNA 2020/05/15				
	4 PLACES ± 3 PLACES ± 2 PLACES ± 0.13 1 PLACE ± 0.25 0 PLACES ±		INITIAL REVISION: DRWN: TPRATT 2016/11/08 APPR: CHIRSCHY 2016/11/10				
DRAFT WHERE APPLICABLE MUST REMAIN WITHIN DIMENSIONS		THIRD ANGLE PROJECTION	DRAWING D-SIZE	SERIES 201591	MATERIAL NUMBER 2015911005	CUSTOMER GENERAL MARKET	SHEET NUMBER 1 OF 4

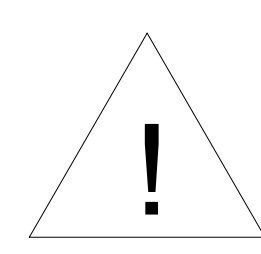
DOCUMENT STATUS	P1	RELEASE DATE	2020/05/15 14:30:28
-----------------	----	--------------	---------------------

CABLE BEND RADIUS

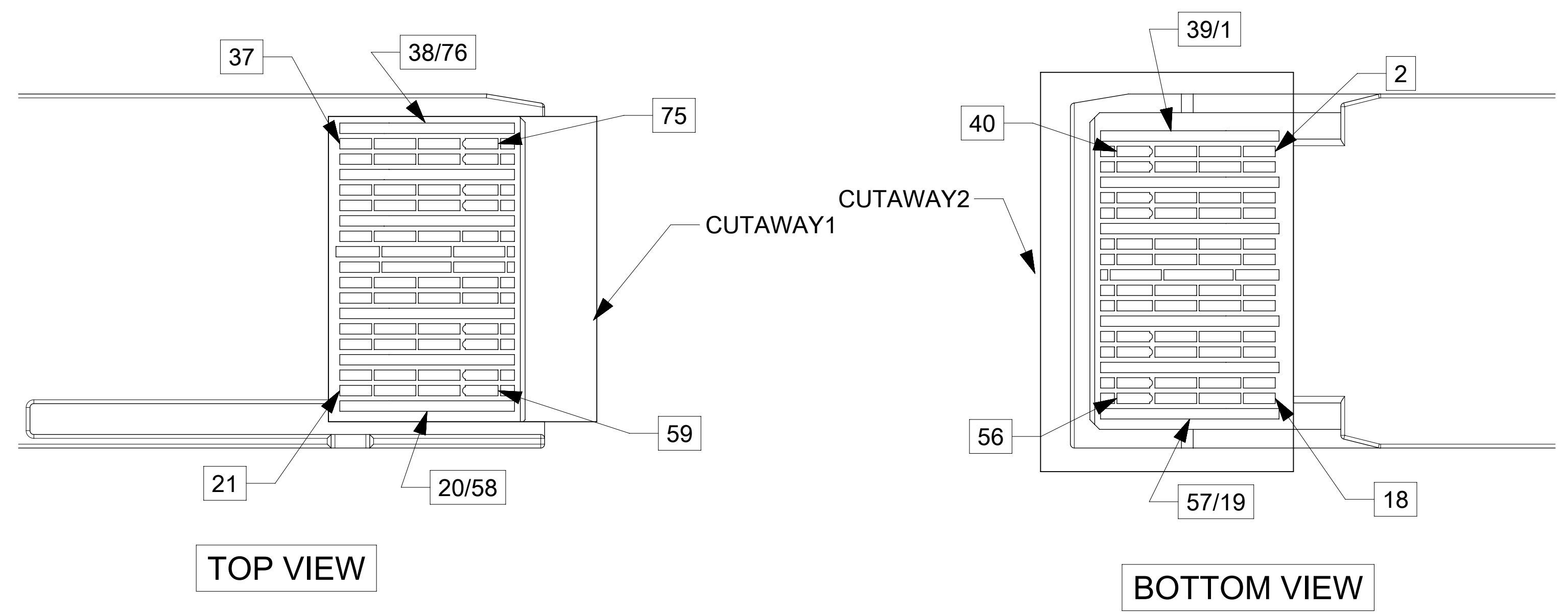


NOTE:
VIEW NOT TO SCALE.

CABLE AWG	OD (mm)	MIN BEND RADIUS (mm)	MIN BEND SPACE (mm)
26*	(13)	(65)	(101)
28	(11)	(55)	(89)
30	(9.4)	(45)	(77)



*MINIMUM BEND RADIUS PENDING QUALIFICATION. NUMBERS ABOVE ARE ESTIMATES AND SUBJECT TO CHANGE.



- NOTES:
- DC BLOCKING CAPS ON RECEIVE SIDE ONLY
 - CABLE COILED AND PACKAGED IN BEST FIT ESD BAG AND SEALED WITH ESD LABEL FOR SHIPPING

FUNCTIONAL SYMBOLS $F_A = 0$ $F_C = 0$ $F_D = 0$	THIS DRAWING CONTAINS INFORMATION THAT IS PROPRIETARY TO MOLEX ELECTRONIC TECHNOLOGIES, LLC AND SHOULD NOT BE USED WITHOUT WRITTEN PERMISSION		CURRENT REV DESC: UPDATED WIRING DIAGRAM		
	DIMENSION UNITS	SCALE	EC NO: 637688		
	mm	20:1	DRWN: KNAGANNA	2020/05/05	
	GENERAL TOLERANCES (UNLESS SPECIFIED)		CHK'D: BHADAGINAL	2020/05/15	
ANGULAR TOL $\pm 5.0^\circ$		APPR: KNAGANNA	2020/05/15	PRODUCT CUSTOMER DRAWING	
4 PLACES \pm		INITIAL REVISION:		DOCUMENT NUMBER	DOC TYPE
3 PLACES \pm		DRWN: TPRATT	2016/11/08	2015911005	PSD
2 PLACES ± 0.13		APPR: CHIRSCHY	2016/11/10	000	P
1 PLACE ± 0.25		THIRD ANGLE PROJECTION		SHEET NUMBER	
0 PLACES \pm		DRAWING		SEE P/N TABLE	GENERAL MARKET
DRAFT WHERE APPLICABLE MUST REMAIN WITHIN DIMENSIONS		SERIES		2 OF 4	
		D-SIZE 201591			

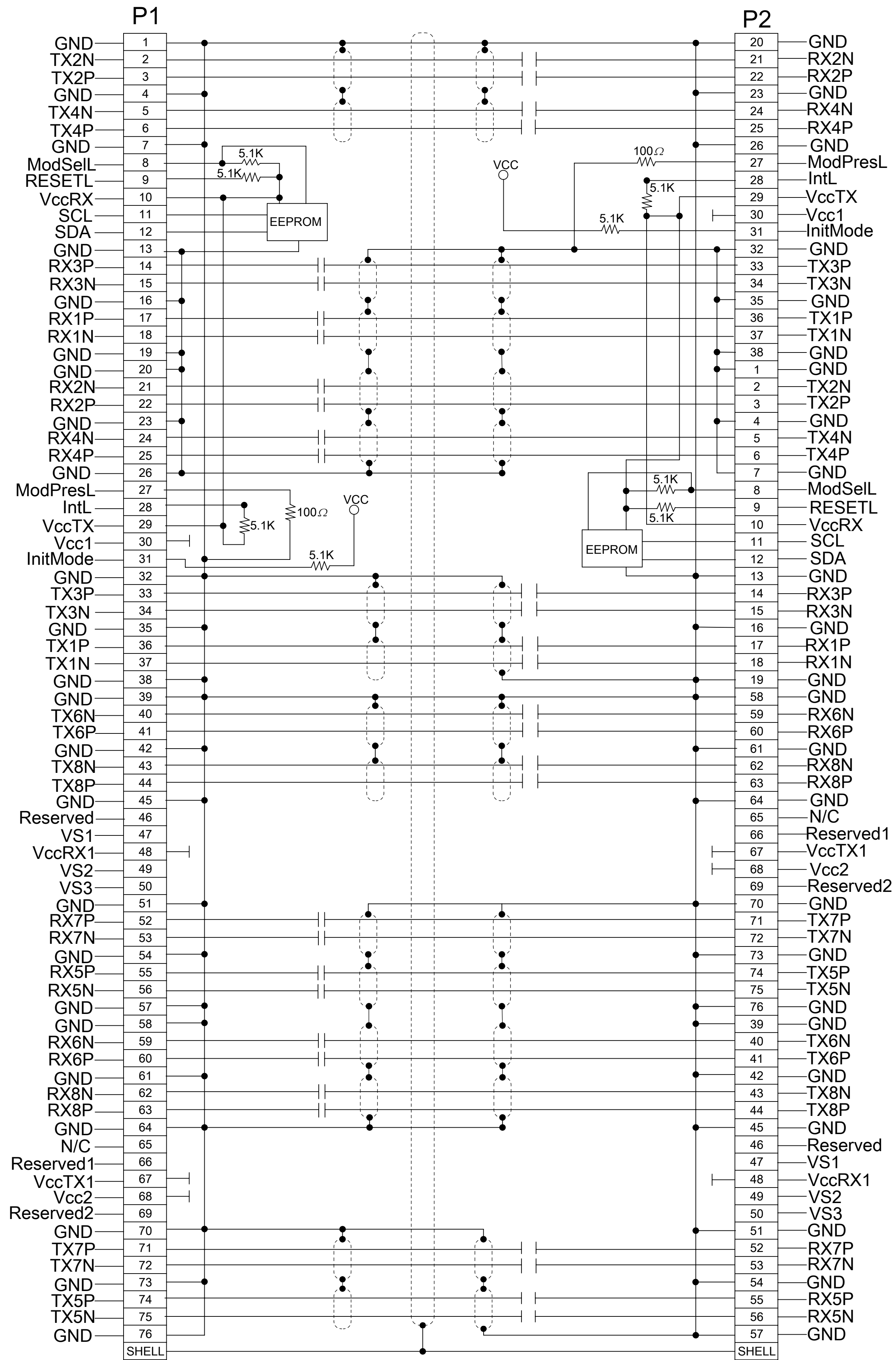
molex

QSFP-DD TO QSFP-DD 56G PASSIVE CABLE ASY

DOCUMENT NUMBER: 2015911005

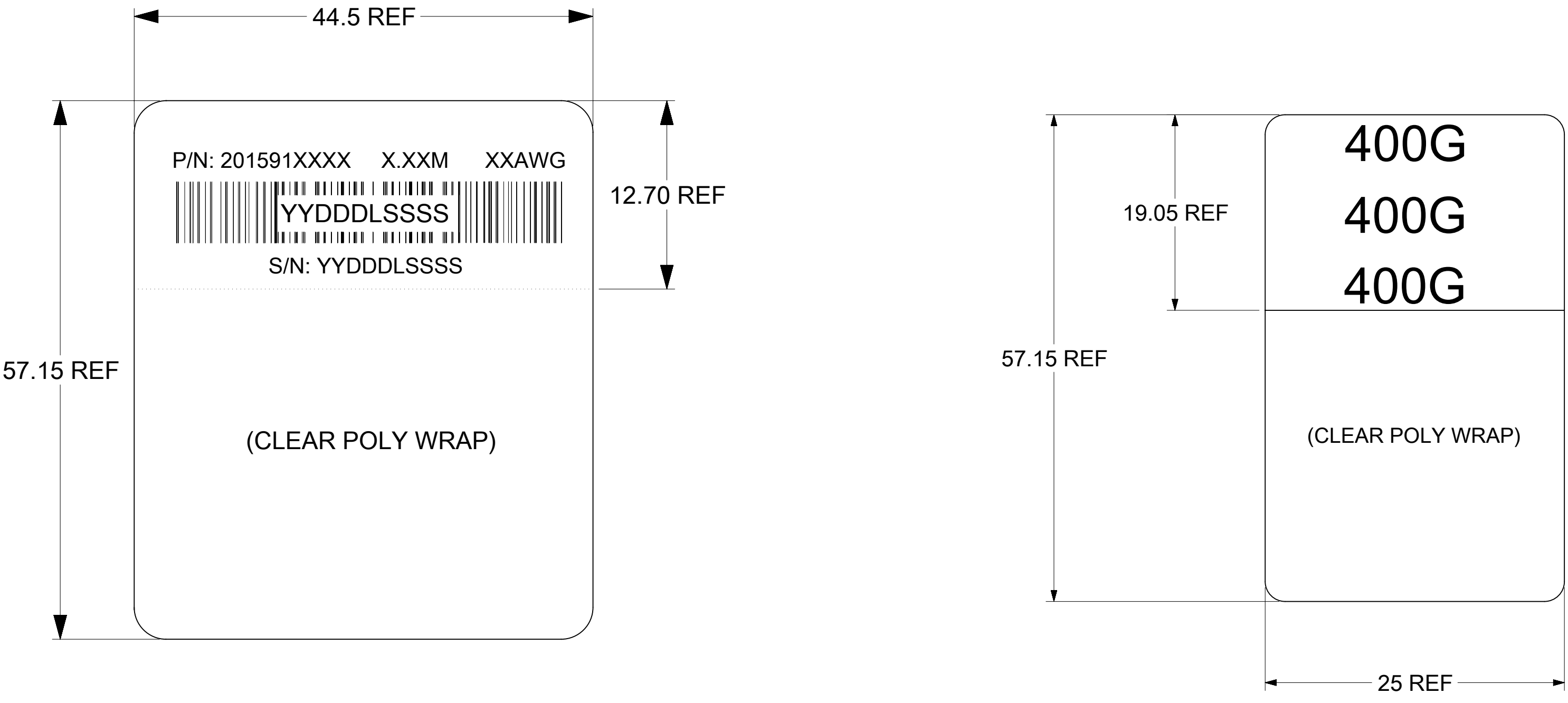
PSD 000 P

WIRING DIAGRAM



FUNCTIONAL SYMBOLS	THIS DRAWING CONTAINS INFORMATION THAT IS PROPRIETARY TO MOLEX ELECTRONIC TECHNOLOGIES, LLC AND SHOULD NOT BE USED WITHOUT WRITTEN PERMISSION			CURRENT REV DESC: UPDATED WIRING DIAGRAM				
$F_A = 0$	DIMENSION UNITS	SCALE						
	mm	1:1						
$F_C = 0$	GENERAL TOLERANCES (UNLESS SPECIFIED)							
$F_D = 0$	ANGULAR TOL		± 5.0°					
	4 PLACES	±						
	3 PLACES	±						
	2 PLACES	± 0.13						
	1 PLACE	± 0.25						
	0 PLACES	±						
DIVISIONAL SYMBOLS	DRAFT WHERE APPLICABLE MUST REMAIN WITHIN DIMENSIONS		THIRD ANGLE PROJECTION	DRAWING	SERIES	MATERIAL NUMBER	CUSTOMER	SHEET NUMBER
				D-SIZE	201591	SEE P/N TABLE	GENERAL MARKET	3 OF 4
			EC NO: 637688					
			DRWN: KNAGANNA 2020/05/05					
			CHK'D: BHADAGINAL 2020/05/15					
			APPR: KNAGANNA 2020/05/15					
			INITIAL REVISION:					
			DRWN: TPRATT 2016/11/08					
			APPR: CHIRSCHY 2016/11/10					
			2015911005			PSD	000	P

LABEL DETAILS



P/N: 201591XXXX - MOLEX PART NUMBER (SEE P/N TABLE)

X.XXM - CABLE LENGTH IN METERS (EXAMPLES - 0.5M, 1.0M, 1.5M)
SEE P/N TABLE FOR THE NUMBER OF DIGITS

XXAWG - CABLE SIZE IN AWG

S/N: YYDDLSSSS - SERIAL NUMBER
 YY = YEAR, THE LAST 2 DIGITS OF YEAR
 DDD = DAY OF THE YEAR
 L = LOCATION
 1 - USA
 2 - MEXICO
 3 - CHINA
 4 - PHILIPPINES
 SSSS = SERIAL NUMBER (0001-9999)

MOLEX P/N	LENGTH (M)	AWG
2015911005*	0.5M +/- 0.05M	30
2015911007*	0.75M +/- 0.05M	30
2015911010	1.0M +/- 0.05M	30
2015911012	1.25M +/- 0.05M	30
2015911015	1.5M +/- 0.08M	30
2015913005*	0.5M +/- 0.05M	28
2015913010	1.0M +/- 0.05M	28
2015913012	1.25M +/- 0.05M	28
2015913015	1.5M +/- 0.08M	28
2015913017	1.75M +/- 0.08M	28
2015913020	2.0M +/- 0.08M	28
2015913025	2.5M +/- 0.08M	28
2015913252	2.5M +/- 0.08M	26
2015913027	2.75M +/- 0.08M	26
2015913030*	3.0M +/- 0.08M	26

*CABLES MAY NOT MEET ALL IEEE 802.3cd 56G PAM4 PARAMETERS

FUNCTIONAL SYMBOLS $\nabla_A = 0$ $\nabla_C = 0$ $\nabla_P = 0$	THIS DRAWING CONTAINS INFORMATION THAT IS PROPRIETARY TO MOLEX ELECTRONIC TECHNOLOGIES, LLC AND SHOULD NOT BE USED WITHOUT WRITTEN PERMISSION	SCALE 1:1	CURRENT REV DESC: UPDATED WIRING DIAGRAM		
	mm	GENERAL TOLERANCES (UNLESS SPECIFIED)	EC NO: 637688 DRWN: KNAGANNA 2020/05/05 CHK'D: BHADAGINAL 2020/05/15 APPR: KNAGANNA 2020/05/15 INITIAL REVISION: DRWN: TPRATT 2016/11/08 APPR: CHIRSCHY 2016/11/10		
	4 PLACES	ANGULAR TOL $\pm 5.0^\circ$			
	3 PLACES	4 PLACES \pm			
2 PLACES	3 PLACES \pm				
1 PLACE	2 PLACES ± 0.13	DOCUMENT NUMBER: 2015911005 DOC TYPE: PSD DOC PART: 000 REVISION: P			
0 PLACES	1 PLACE ± 0.25	MATERIAL NUMBER: SEE P/N TABLE CUSTOMER: GENERAL MARKET SHEET NUMBER: 4 OF 4			
DRAFT WHERE APPLICABLE MUST REMAIN WITHIN DIMENSIONS		THIRD ANGLE PROJECTION	DRAWING: D-SIZE	SERIES: 201591	