

PART NUMBER	PART DESCRIPTION	B	C	D
201841-0030	MULTICAT RCPT HSG 1X3 KEY A	27.46	24.46	17.35
201841-0031	MULTICAT RCPT HSG 1X3 KEY B	27.46	24.46	17.35
201841-0040	MULTICAT RCPT HSG 1X4 KEY A	34.86	31.86	24.75
201841-0041	MULTICAT RCPT HSG 1X4 KEY B	34.86	31.86	24.75
201841-0130	MULTICAT RCPT HSG W/ CPA 1X3 KEY A	27.46	24.46	17.35
201841-0131	MULTICAT RCPT HSG W/ CPA 1X3 KEY B	27.46	24.46	17.35
201841-0140	MULTICAT RCPT HSG W/ CPA 1X4 KEY A	34.86	31.86	24.75
201841-0141	MULTICAT RCPT HSG W/ CPA 1X4 KEY B	34.86	31.86	24.75

THIS DRAWING CONTAINS INFORMATION THAT IS PROPRIETARY TO MOLEX ELECTRONIC TECHNOLOGIES, LLC AND SHOULD NOT BE USED WITHOUT WRITTEN PERMISSION

DIMENSION UNITS	SCALE	CURRENT REV DESC:				
mm	2:1	<p>molex</p> <p>MULTICAT IN-LINE RECEPTACLE HOUSING WTW/WTB</p> <p>PRODUCT CUSTOMER DRAWING</p>				
GENERAL TOLERANCES (UNLESS SPECIFIED)						
ANGULAR TOL	± °					
4 PLACES	±					
3 PLACES	± 0.05					
2 PLACES	± 0.1	EC NO: 627270	2019/03/28			
1 PLACE	± 0.2	DRWN: MKP	2019/11/12			
0 PLACES	±	CHK'D: MRAMAKRISHNA	2019/11/13			
DRAFT WHERE APPLICABLE MUST REMAIN WITHIN DIMENSIONS		APPR: ISHWARG	2019/11/13			
THIRD ANGLE PROJECTION		INITIAL REVISION:	DOCUMENT NUMBER	DOC TYPE	DOC PART	REVISION
		DRWN: RMV02	2018410000-SD	PSD	000	A1
DRAWING		APPR: KPRASAD	MATERIAL NUMBER	CUSTOMER		SHEET NUMBER
A4-SIZE		2016/12/06	SEE TABLE	GENERAL MARKET		1 OF 3
SERIES		2017/02/08				
201841						

DOCUMENT STATUS	P1	RELEASE DATE	2019/11/13	03:33:58
-----------------	----	--------------	------------	----------

6

5

4

3

2

1

NOTES:

1. HOUSING MATERIAL:

- PEI,
- UL RATED 94 V-0
- COLOR: BLACK (FOR KEY-A)
- COLOR: GRAY (FOR KEY-B)

2. CPA MATERIAL:

- PBT
- COLOR: RED

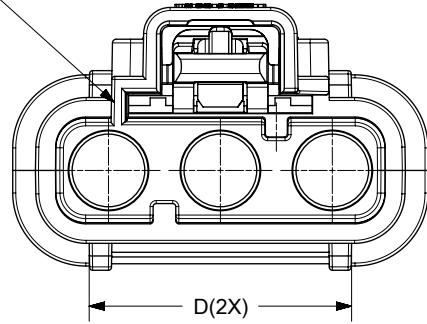
3. USED WITH TERMINAL PART NUMBER 201846-00**

4. SHALL CONFIRM TO PRODUCT SPECIFICATION 2018400000-PS

5. COMPLY WITH PACKAGING SPECIFICATION 2018410000-PK

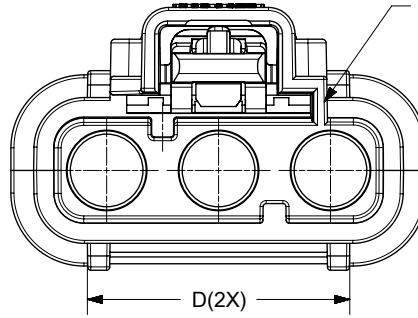
6. COSMETIC SPECIFICATION PS-45499-002 CLASS B

KEY



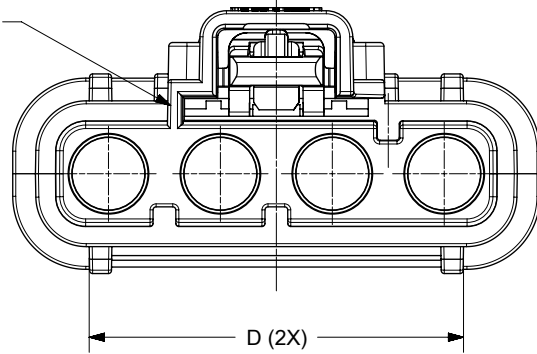
PN 201841-0*30
KEY A (BLACK)

KEY



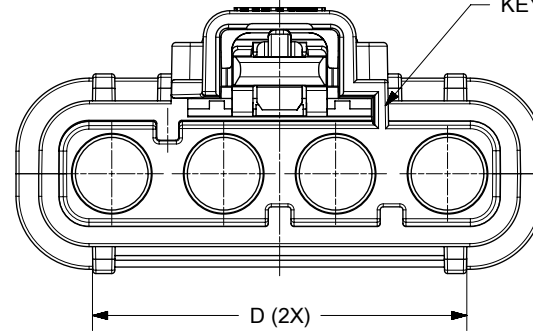
PN 201841-0*31
KEY B (GRAY)

KEY



PN 201841-0*40
KEY A (BLACK)

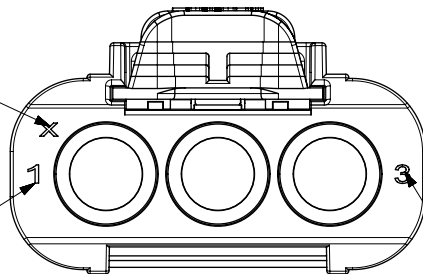
KEY



PN 201841-0*41
KEY B (GRAY)

CAVITY ID

SMALLEST
CKT NO



LARGEST
CKT NO

THIS DRAWING CONTAINS INFORMATION THAT IS PROPRIETARY TO MOLEX ELECTRONIC TECHNOLOGIES, LLC AND SHOULD NOT BE USED WITHOUT WRITTEN PERMISSION

DIMENSION UNITS	SCALE	CURRENT REV DESC:		
mm	2:1			
GENERAL TOLERANCES (UNLESS SPECIFIED)		EC NO: 627270		
ANGULAR TOL	± °	DRWN: MKP	2019/03/28	
4 PLACES	±	CHK'D: MRAMAKRISHNA	2019/11/12	
3 PLACES	± 0.05	APPR: ISHWARG	2019/11/13	
2 PLACES	± 0.1	INITIAL REVISION:		
1 PLACE	± 0.2	DRWN: RMV02	2016/12/06	
0 PLACES	±	APPR: KPRASAD	2017/02/08	
DRAFT WHERE APPLICABLE MUST REMAIN WITHIN DIMENSIONS		THIRD ANGLE PROJECTION	DRAWING	SERIES
			A4-SIZE	201841
		DOCUMENT NUMBER		DOC TYPE
		2018410000-SD		PSD
		CUSTOMER		REVISION
		GENERAL MARKET		000 A1
		MATERIAL NUMBER		SHEET NUMBER
		SEE TABLE		2 OF 3

DOCUMENT STATUS	P1	RELEASE DATE	2019/11/13	03:33:58
-----------------	----	--------------	------------	----------

6

5

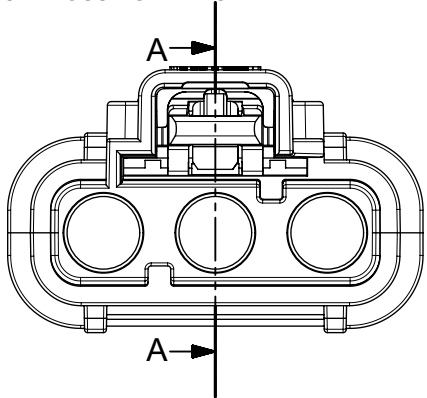
4

3

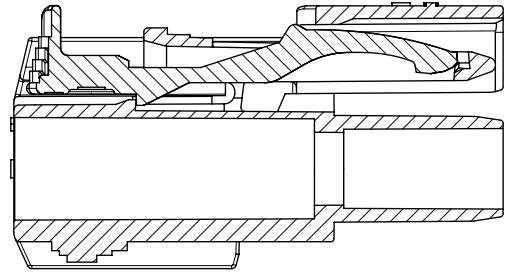
2

1

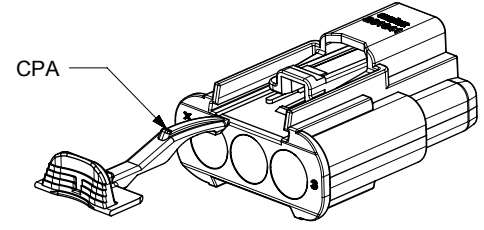
RECEPTACLE HOUSING WITH CPA



PN 201841-01**

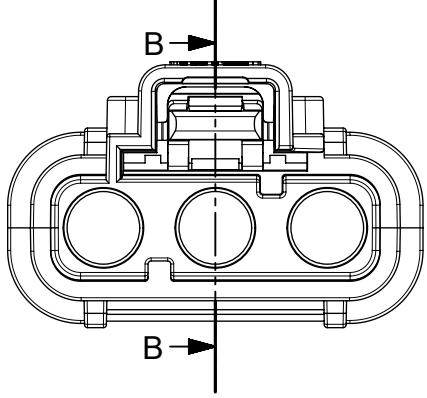


SECTION A-A



SCALE 1:1

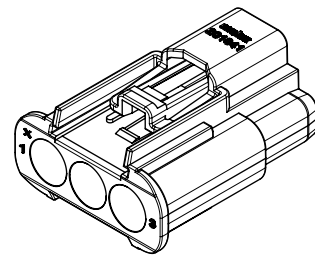
RECEPTACLE HOUSING



PN 201841-00**



SECTION B-B



SCALE 1:1

THIS DRAWING CONTAINS INFORMATION THAT IS PROPRIETARY TO MOLEX ELECTRONIC TECHNOLOGIES, LLC AND SHOULD NOT BE USED WITHOUT WRITTEN PERMISSION											
DIMENSION UNITS		SCALE		CURRENT REV DESC:						molex	
mm		2:1									
GENERAL TOLERANCES (UNLESS SPECIFIED)				EC NO: 627270							
ANGULAR TOL ± °				DRWN: MKP 2019/03/28						WTW/WTB	
4 PLACES ±				CHK'D: MRAMAKRISHNA 2019/11/12						PRODUCT CUSTOMER DRAWING	
3 PLACES ± 0.05				APPR: ISHWARG 2019/11/13						DOCUMENT NUMBER	
2 PLACES ± 0.1				INITIAL REVISION:						2018410000-SD	
1 PLACE ± 0.2				DRWN: RMV02 2016/12/06						DOC TYPE	
0 PLACES ±				APPR: KPRASAD 2017/02/08						PSD	
DRAFT WHERE APPLICABLE MUST REMAIN WITHIN DIMENSIONS				THIRD ANGLE PROJECTION		DRAWING		SERIES		REVISION	
				A4-SIZE		201841		MATERIAL NUMBER		SHEET NUMBER	
								SEE TABLE		3 OF 3	
								CUSTOMER		REVISION	
								GENERAL MARKET		A1	

DOCUMENT STATUS	P1	RELEASE DATE	2019/11/13	03:33:58
-----------------	----	--------------	------------	----------