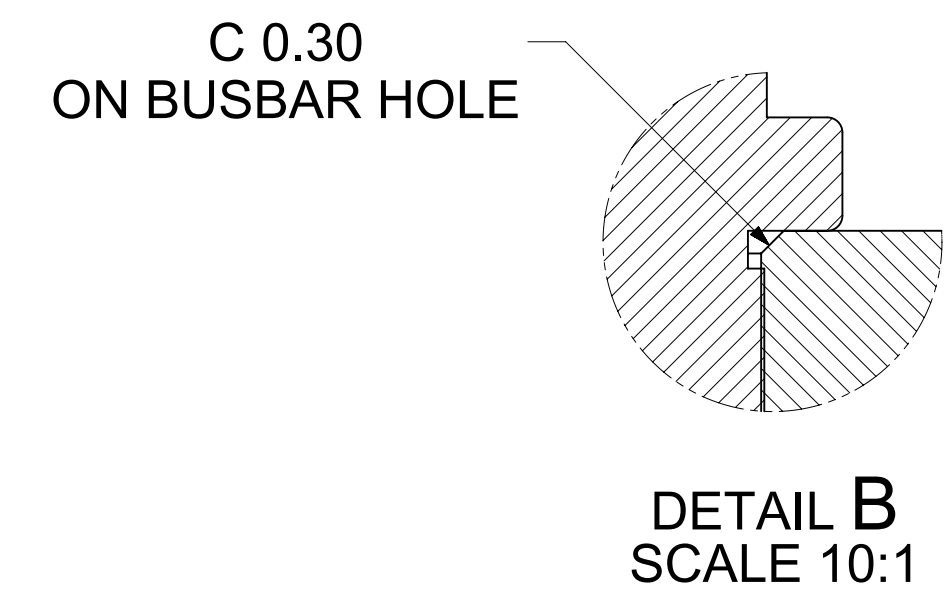
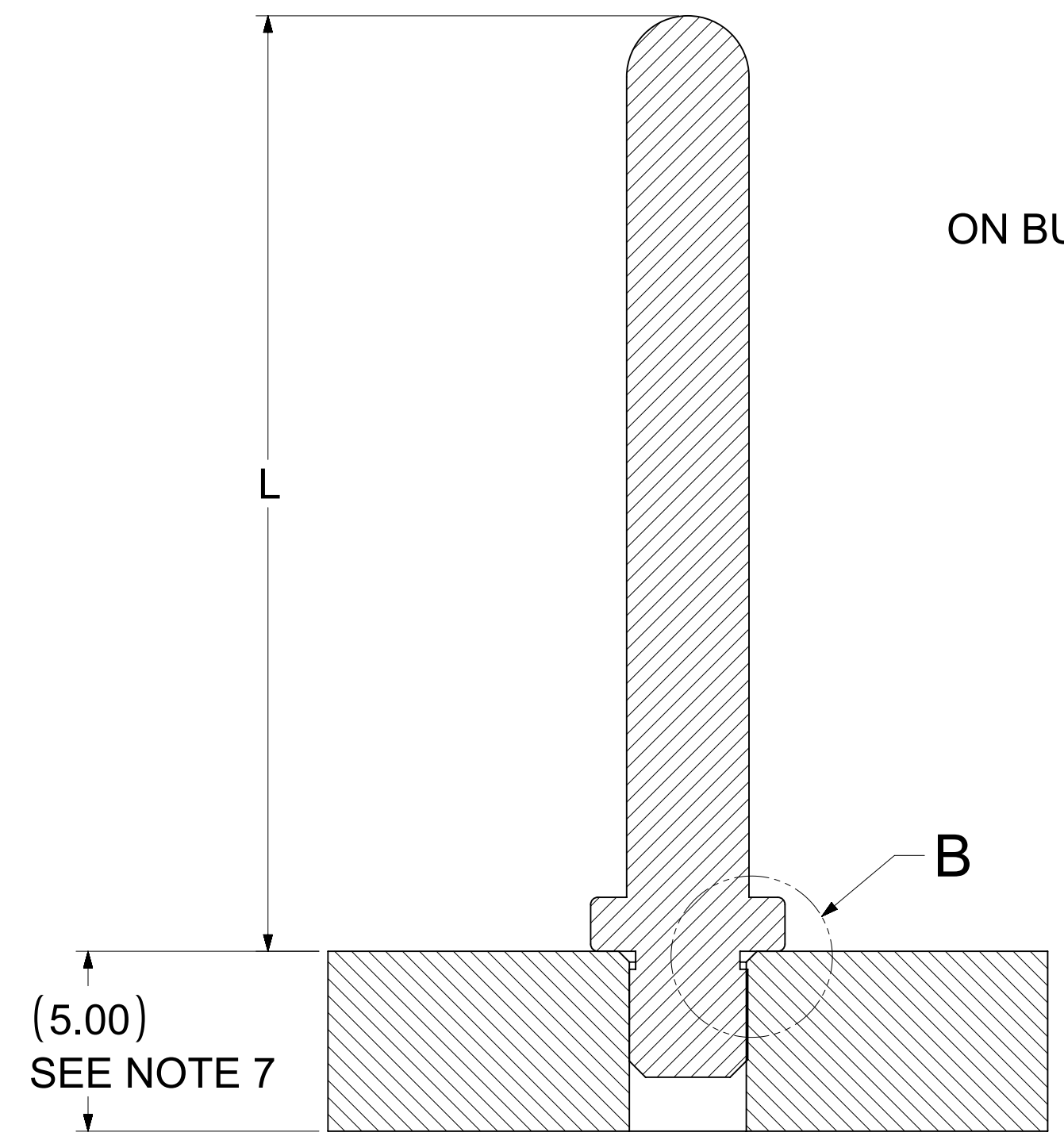
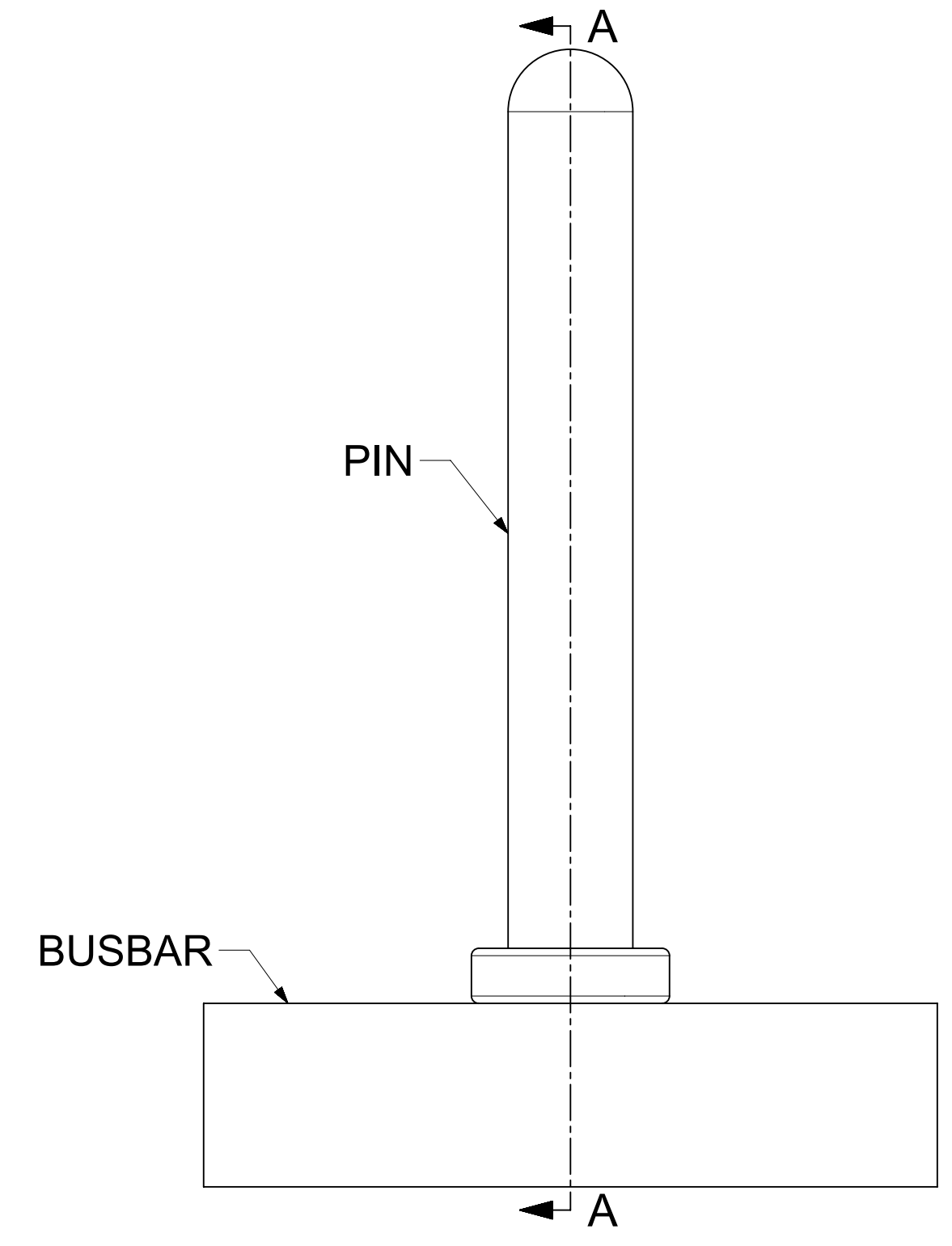
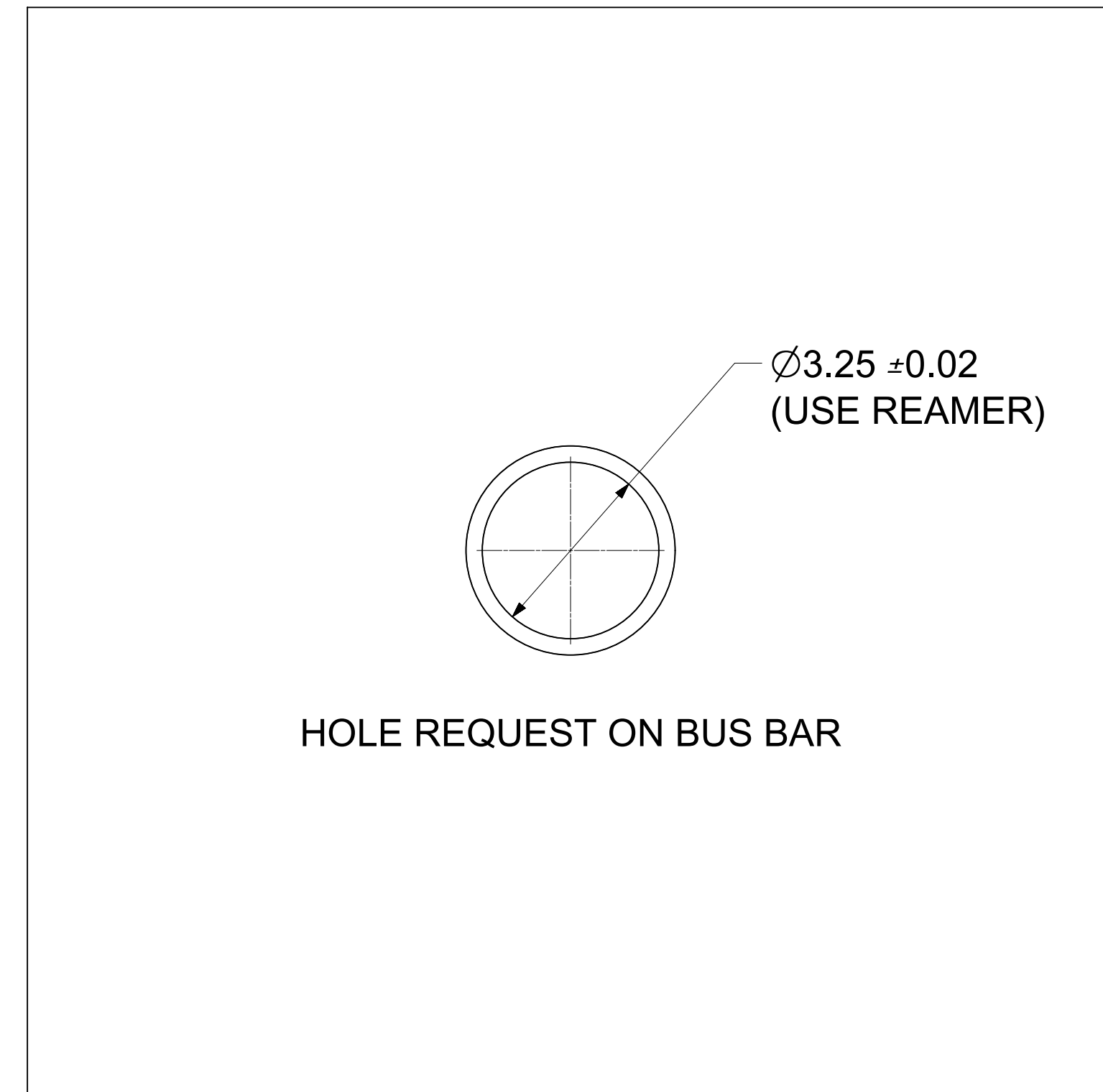
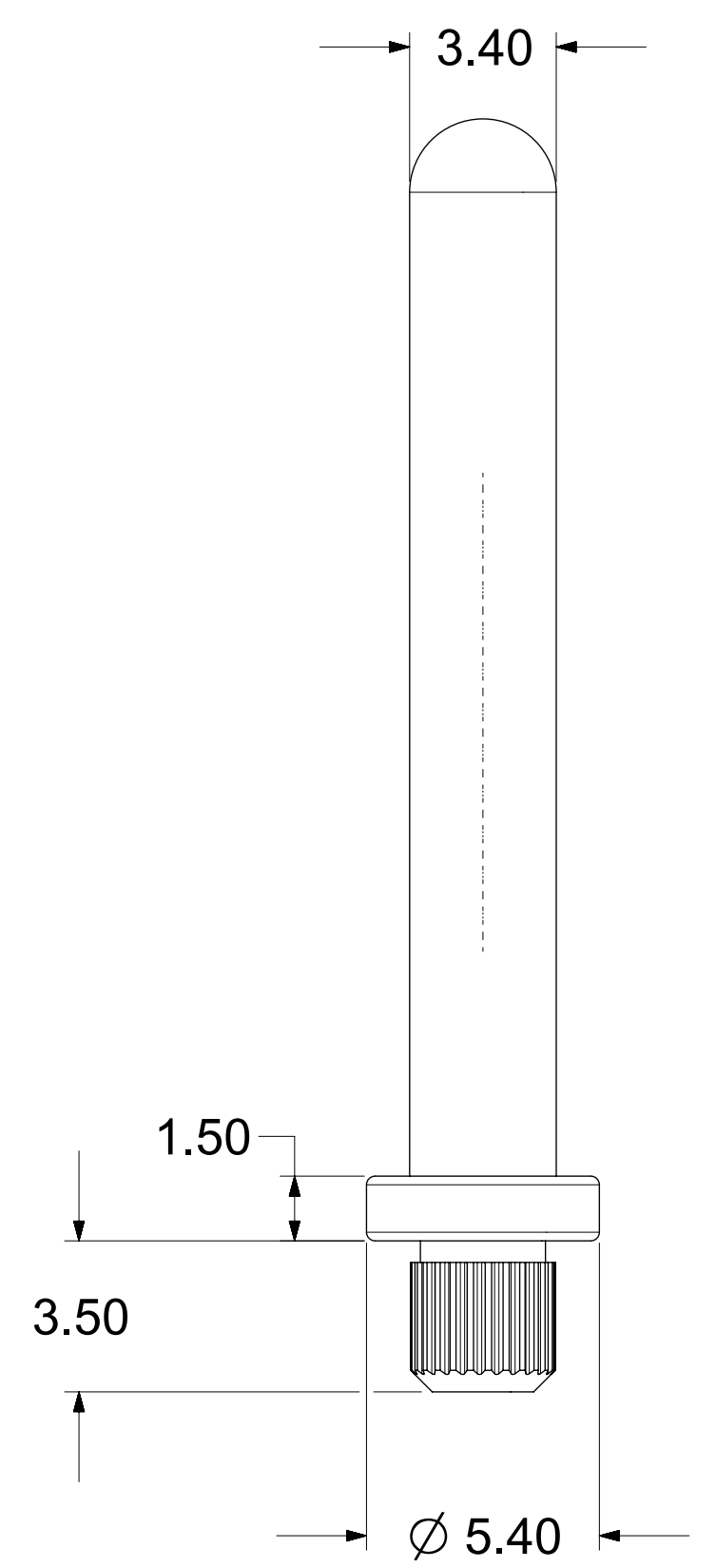
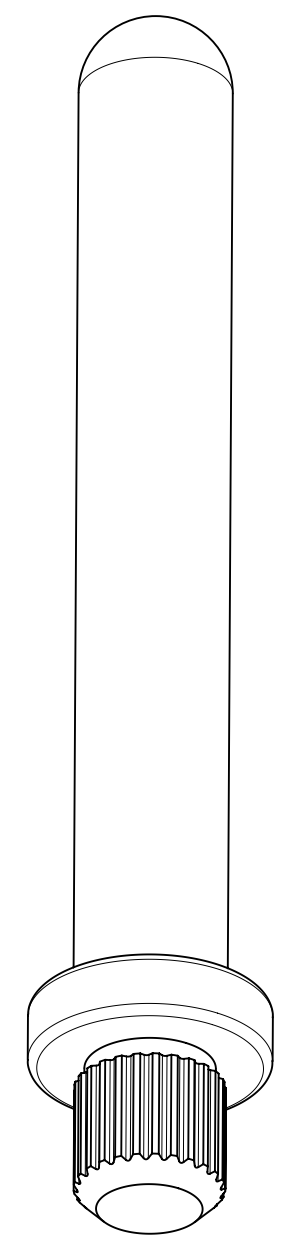


PART NUMBER	DIMENSION L
203263-0234	16.0
203263-0034	26.0
203263-0334	36.0
203263-0434	46.0



- NOTES:
- MATERIAL:  
 BASE METAL: HIGH CONDUCTIVE COPPER ALLOY  
 PLATING ON BODY: 3.18 MICRON MIN SILVER OVER 1.27 MICRON MIN NICKEL
  - PRODUCT SPECIFICATION: 2043130018-PS
  - APPLICATION SPECIFICATION: 2043130018-AS
  - PACKAGING SPECIFICATION: 2032630006-PK
  - SILVER COMPONENTS WILL BE SUPPLIED TARNISH FREE BUT MAY TARNISH OVER TIME.
  - MINIMUM RECOMMENDED BUSBAR THICKNESS IS 1.5MM

THIS DRAWING CONTAINS INFORMATION THAT IS PROPRIETARY TO MOLEX ELECTRONIC TECHNOLOGIES, LLC AND SHOULD NOT BE USED WITHOUT WRITTEN PERMISSION											
DIMENSION UNITS <b>mm</b>		SCALE <b>10:1</b>		CURRENT REV DESC: PLATING SPEC UPDATED				<b>molex</b>			
GENERAL TOLERANCES (UNLESS SPECIFIED)		EC NO: 620425		3.4MM CST STD (PRESS FIT), MALE PIN							
ANGULAR TOL ± 0.5°		DRWN: RLOW		PRODUCT CUSTOMER DRAWING							
4 PLACES ±		CHK'D: BPISZCZOR		DOCUMENT NUMBER							
3 PLACES ±		APPR: BPISZCZOR		DOC TYPE							
2 PLACES ± 0.15		INITIAL REVISION:		DOC PART							
1 PLACE ± 0.25		DRWN: RLOW		REVISION							
0 PLACES ±		APPR: BPISZCZOR		DOCUMENT NUMBER							
DRAFT WHERE APPLICABLE MUST REMAIN WITHIN DIMENSIONS		THIRD ANGLE PROJECTION		DRAWING		SERIES		MATERIAL NUMBER		CUSTOMER	
		D-SIZE		203263		SEE TABLE		GENERAL MARKET		SHEET NUMBER	
										1 OF 1	