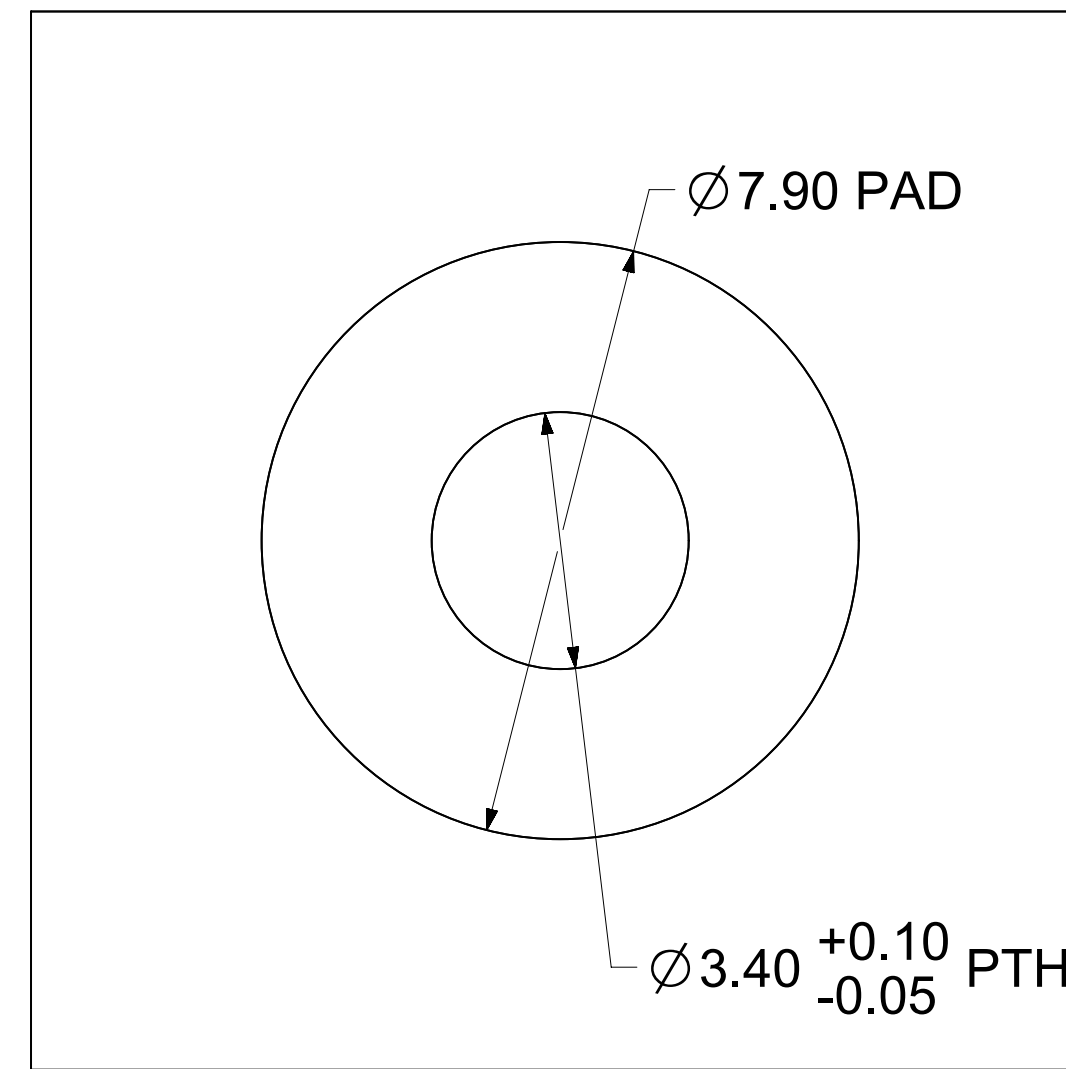
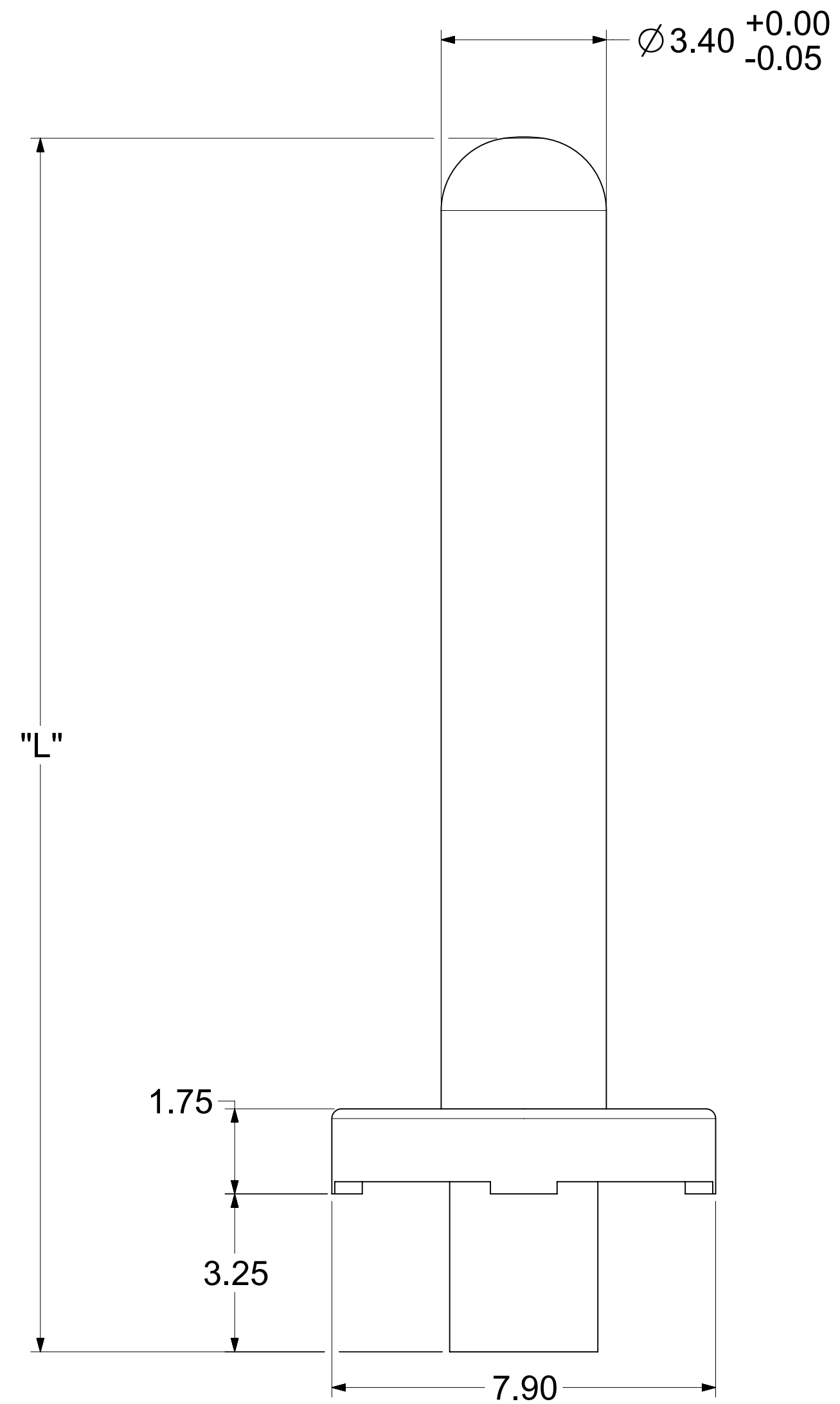
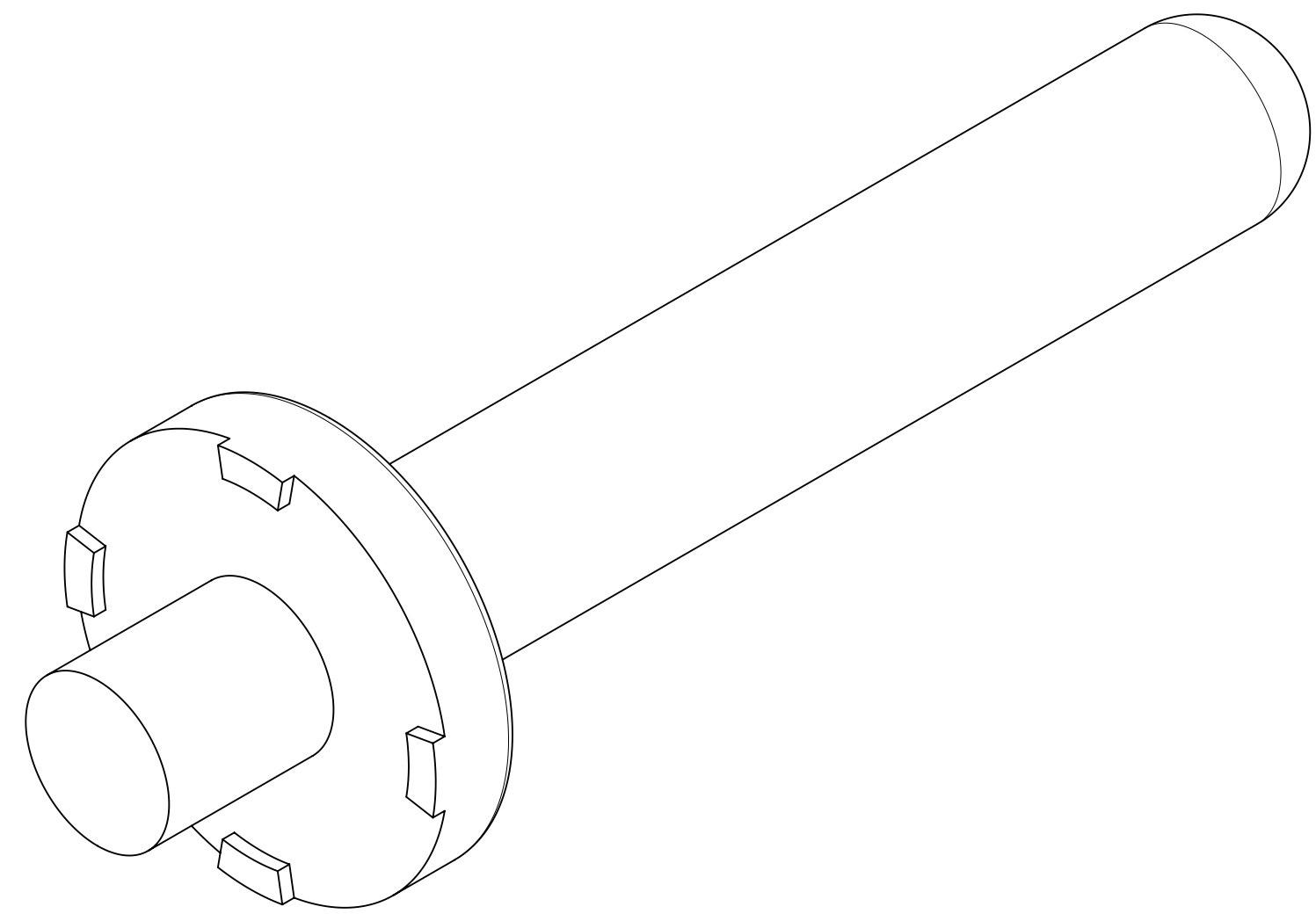


PART NUMBER	DIMENSION "L"
203263-1134	26.00 +/-0.20
203263-1234	20.00 +/-0.20
203263-1334	14.00 +/-0.20
203263-1434	12.00 +/-0.20



RECOMMENDED PCB LAYOUT

NOTES:

1. MATERIALS: COPPER ALLOY
2. PLATING: SILVER WITH TARNISH INHIBITOR
3. PRODUCT SPECIFICATION: 2043130018-PS
4. APPLICATION SPECIFICATION: 2043130018-AS
5. PACKAGING SPECIFICATION: 2032630006-PK
6. SILVER COMPONENTS WILL BE SUPPLIED TARNISH FREE BUT MAY TARNISH OVER TIME.

THIS DRAWING CONTAINS INFORMATION THAT IS PROPRIETARY TO MOLEX ELECTRONIC TECHNOLOGIES, LLC AND SHOULD NOT BE USED WITHOUT WRITTEN PERMISSION													
DIMENSION UNITS mm		SCALE 5:1		CURRENT REV DESC:				molex					
GENERAL TOLERANCES (UNLESS SPECIFIED)						EC NO: 618616						3.4MM SMT CST MALE PIN	
ANGULAR TOL ± 0.5°		4 PLACES ±		DRWN: RLOW		2019/06/03		PRODUCT CUSTOMER DRAWING					
3 PLACES ±		2 PLACES ± 0.15		CHK'D: BPISZCZOR		2019/06/10		DOCUMENT NUMBER					
1 PLACE ± 0.25		0 PLACES ±		APPR: BPISZCZOR		2019/06/10		DOC TYPE		DOC PART		REVISION	
DRAFT WHERE APPLICABLE MUST REMAIN WITHIN DIMENSIONS		THIRD ANGLE PROJECTION		DRAWING		SERIES		MATERIAL NUMBER		CUSTOMER		SHEET NUMBER	
		D-SIZE		203263		SEE CHART		GENERAL MARKET		1 OF 1			