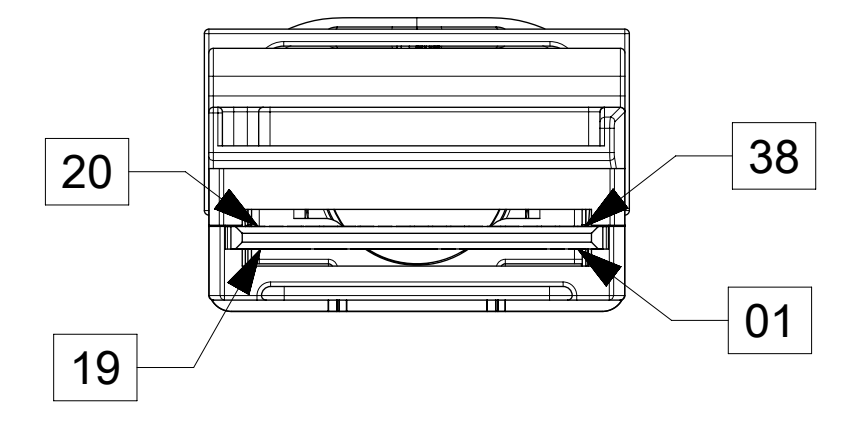
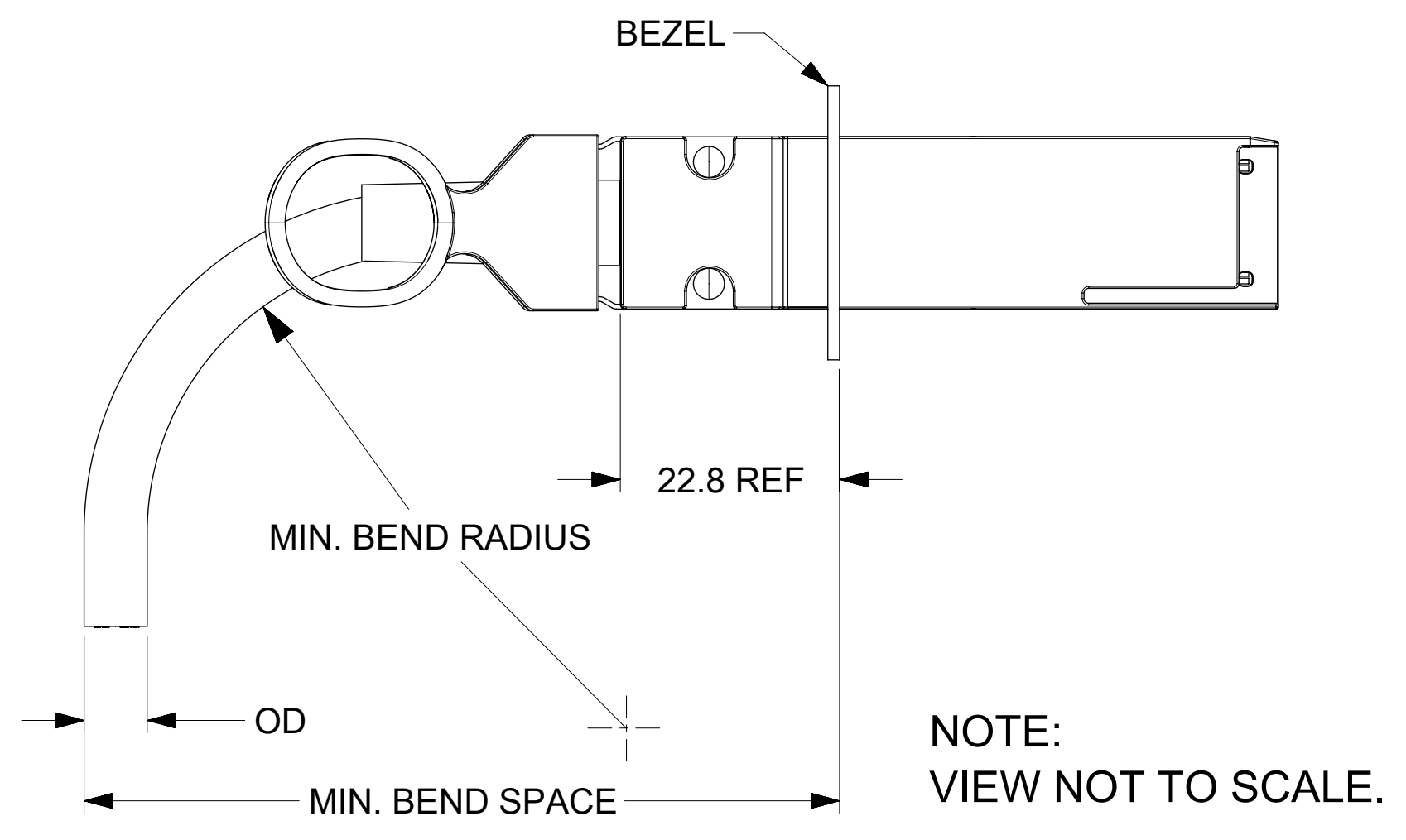


- NOTES:**
- CABLE LENGTH DEPENDS ON WIRE GAUGE, DATA RATE, AND HOST BOARD DRIVER CAPABILITIES
 - MATERIALS:
 BACKSHELLS - ZINC DIE CAST WITH BRIGHT NICKEL PLATING
 DELATCH - STAINLESS STEEL WITH OVERMOLDED NYLON
 RIVETS - STAINLESS STEEL
 - IMPEDANCE - 100 OHMS DIFFERENTIAL
 - CABLE IS UL RECOGNIZED (TBD)
 - EEPROM MAP AVAILABLE UPON REQUEST
 - RoHS COMPLIANT, NO EXEMPTIONS

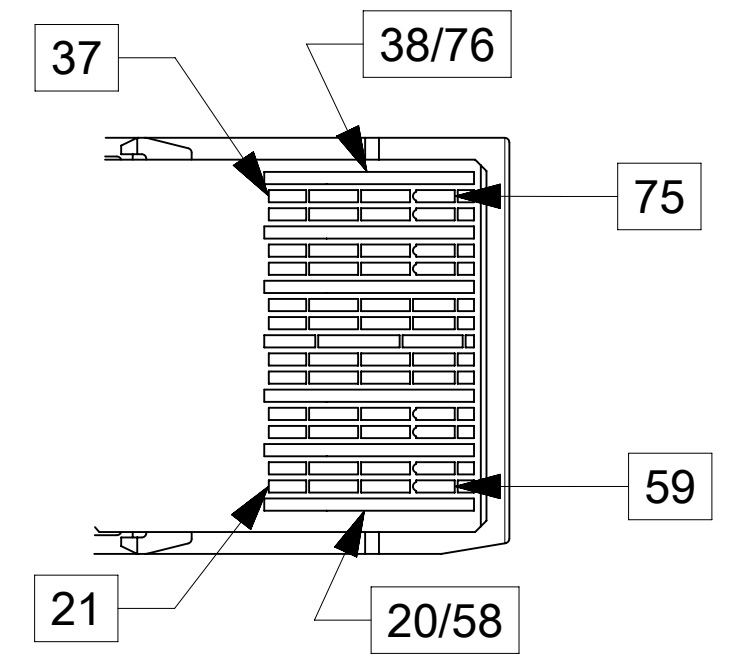
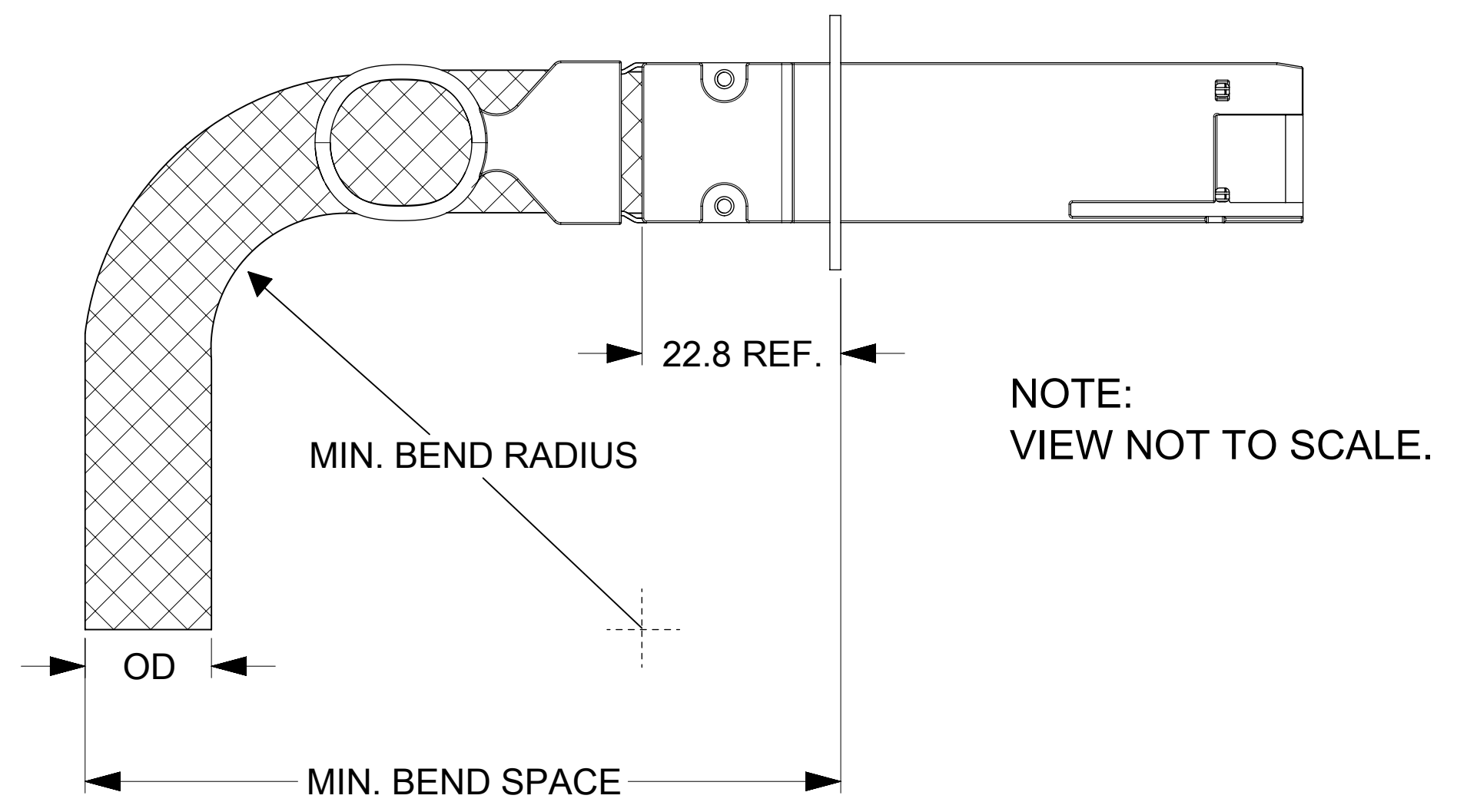
FUNCTIONAL SYMBOLS		THIS DRAWING CONTAINS INFORMATION THAT IS PROPRIETARY TO MOLEX ELECTRONIC TECHNOLOGIES, LLC AND SHOULD NOT BE USED WITHOUT WRITTEN PERMISSION		CURRENT REV DESC: UPDATED WIRING DIAGRAM	
$\nabla_A = 0$	mm	SCALE	1:1		
$\nabla_C = 0$	GENERAL TOLERANCES (UNLESS SPECIFIED)				
$\nabla_P = 0$	ANGULAR TOL		± 5.0°		
DIVISIONAL SYMBOLS		4 PLACES	±	EC NO: 637688	
		3 PLACES	±	DRWN: KNAGANNA 2020/05/05	
		2 PLACES	± 0.13	CHK'D: BHADAGINAL 2020/05/15	
		1 PLACE	± 0.25	APPR: KNAGANNA 2020/05/15	
		0 PLACES	±	INITIAL REVISION:	
		DRAFT WHERE APPLICABLE MUST REMAIN WITHIN DIMENSIONS		DRWN: SRATKOVIC 2016/12/01	
		THIRD ANGLE PROJECTION		APPR: ADTUCKER 2017/10/17	
		DRAWING		SERIES	
		D-SIZE		203366	
DOCUMENT STATUS		MATERIAL NUMBER		CUSTOMER	
P1	RELEASE DATE	2033660001		GENERAL MARKET	
2020/05/15	14:30:31	DOC NUMBER		DOC TYPE	
		2033660001		PSD	
		DOC PART		REVISION	
		000		K	
		SHEET NUMBER		1 OF 4	

zQSFP+ CABLE BEND RADIUS

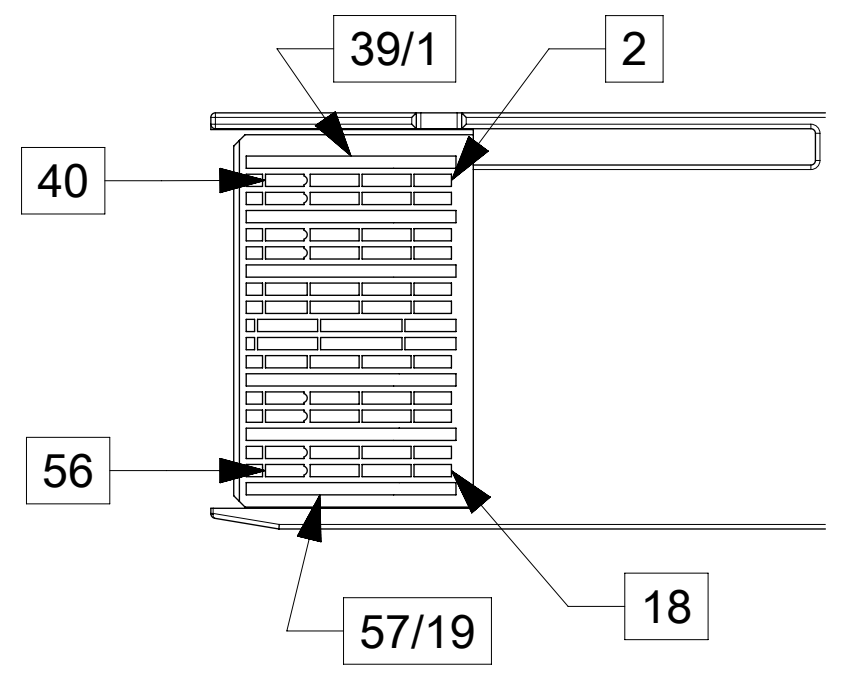


CABLE AWG	OD (mm)	MIN BEND RADIUS (mm)	MIN BEND SPACE (mm)
28	7.9	40	71
30	6.7	34	64

QSFP-DD CABLE BEND RADIUS

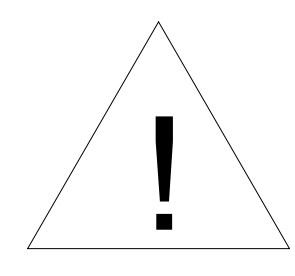


BOTTOM VIEW



TOP VIEW

CABLE AWG	OD (mm)	MIN BEND RADIUS (mm)	MIN BEND SPACE (mm)
28	(11)	(55)	(89)
30	(9.4)	(47)	(79)



MINIMUM BEND RADIUS PENDING QUALIFICATION. NUMBERS ABOVE ARE ESTIMATES AND SUBJECT TO CHANGE.

NOTES:

- DC BLOCKING CAPS ON RECEIVE SIDE ONLY
- CABLE COILED AND PACKAGED IN BEST FIT ESD BAG AND SEALED WITH ESD LABEL FOR SHIPPING

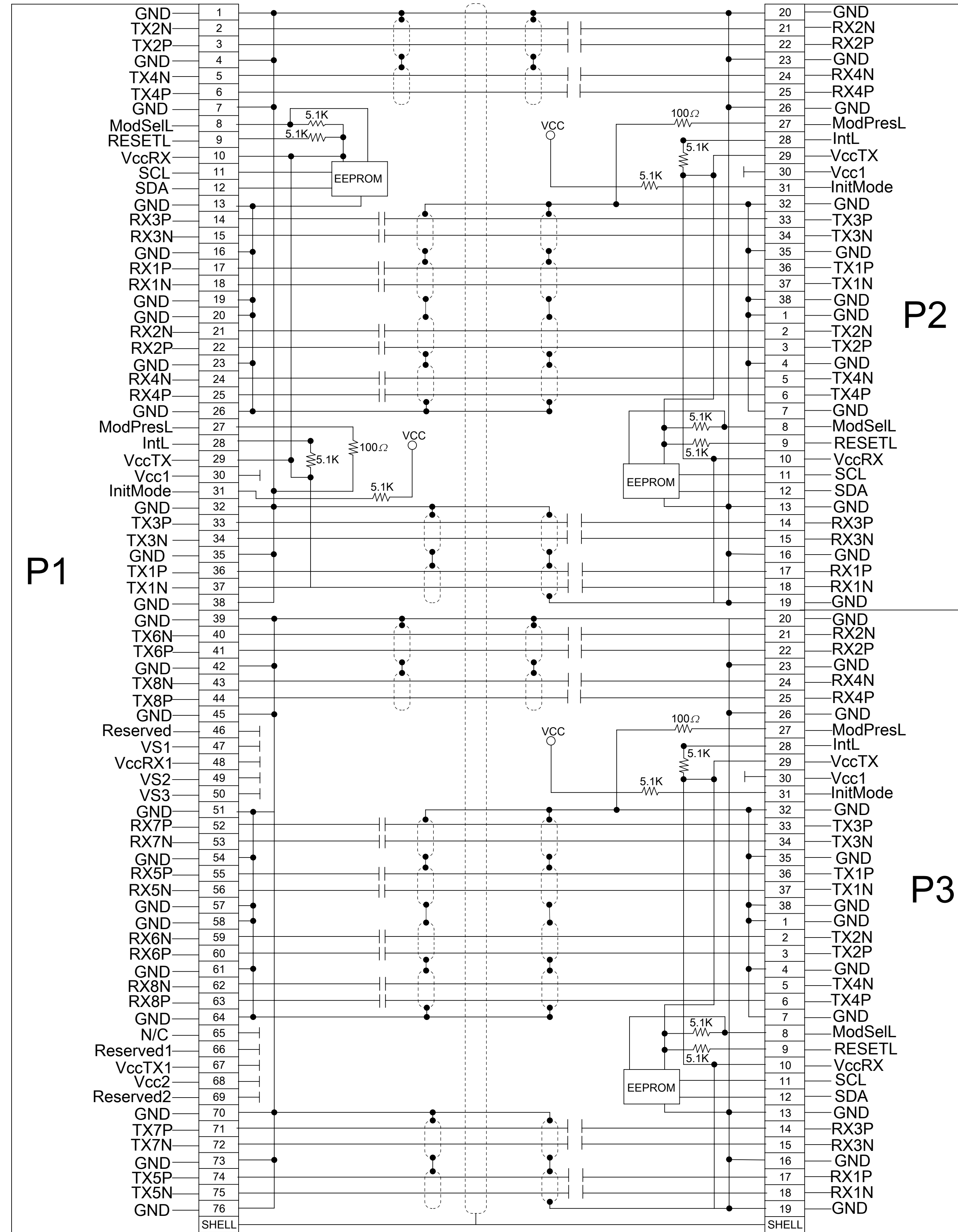
FUNCTIONAL SYMBOLS FA = 0 FC = 0 FD = 0	THIS DRAWING CONTAINS INFORMATION THAT IS PROPRIETARY TO MOLEX ELECTRONIC TECHNOLOGIES, LLC AND SHOULD NOT BE USED WITHOUT WRITTEN PERMISSION		CURRENT REV DESC: UPDATED WIRING DIAGRAM	
	DIMENSION UNITS mm	SCALE 1:1		
DIVISIONAL SYMBOLS	GENERAL TOLERANCES (UNLESS SPECIFIED)		EC NO: 637688	
	ANGULAR TOL ± 5.0°		DRWN: KNAGANNA	2020/05/05
	4 PLACES ±		CHK'D: BHADAGINAL	2020/05/15
	3 PLACES ±		APPR: KNAGANNA	2020/05/15
	2 PLACES ± 0.13		INITIAL REVISION:	
1 PLACE ± 0.25		DRWN: SRATKOVIC	2016/12/01	
0 PLACES ±		APPR: ADTUCKER	2017/10/17	
DRAFT WHERE APPLICABLE MUST REMAIN WITHIN DIMENSIONS		THIRD ANGLE PROJECTION	DRAWING D-SIZE	SERIES 203366
DOCUMENT STATUS P1		RELEASE DATE 2020/05/15 14:30:31	MATERIAL NUMBER 2033660001	CUSTOMER GENERAL MARKET
			DOC TYPE PSD	DOC PART 000
			REVISION K	SHEET NUMBER 2 OF 4

molex

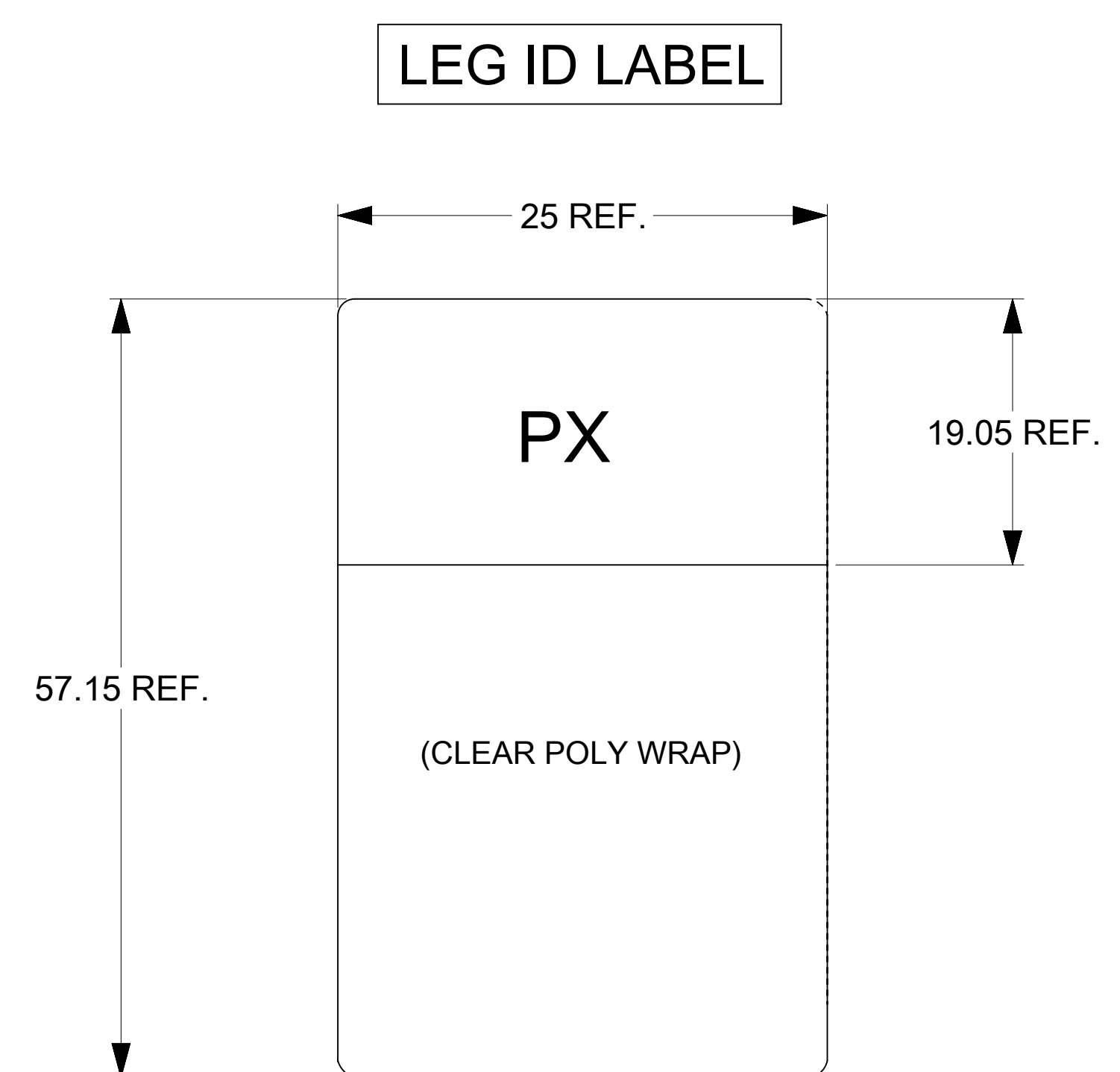
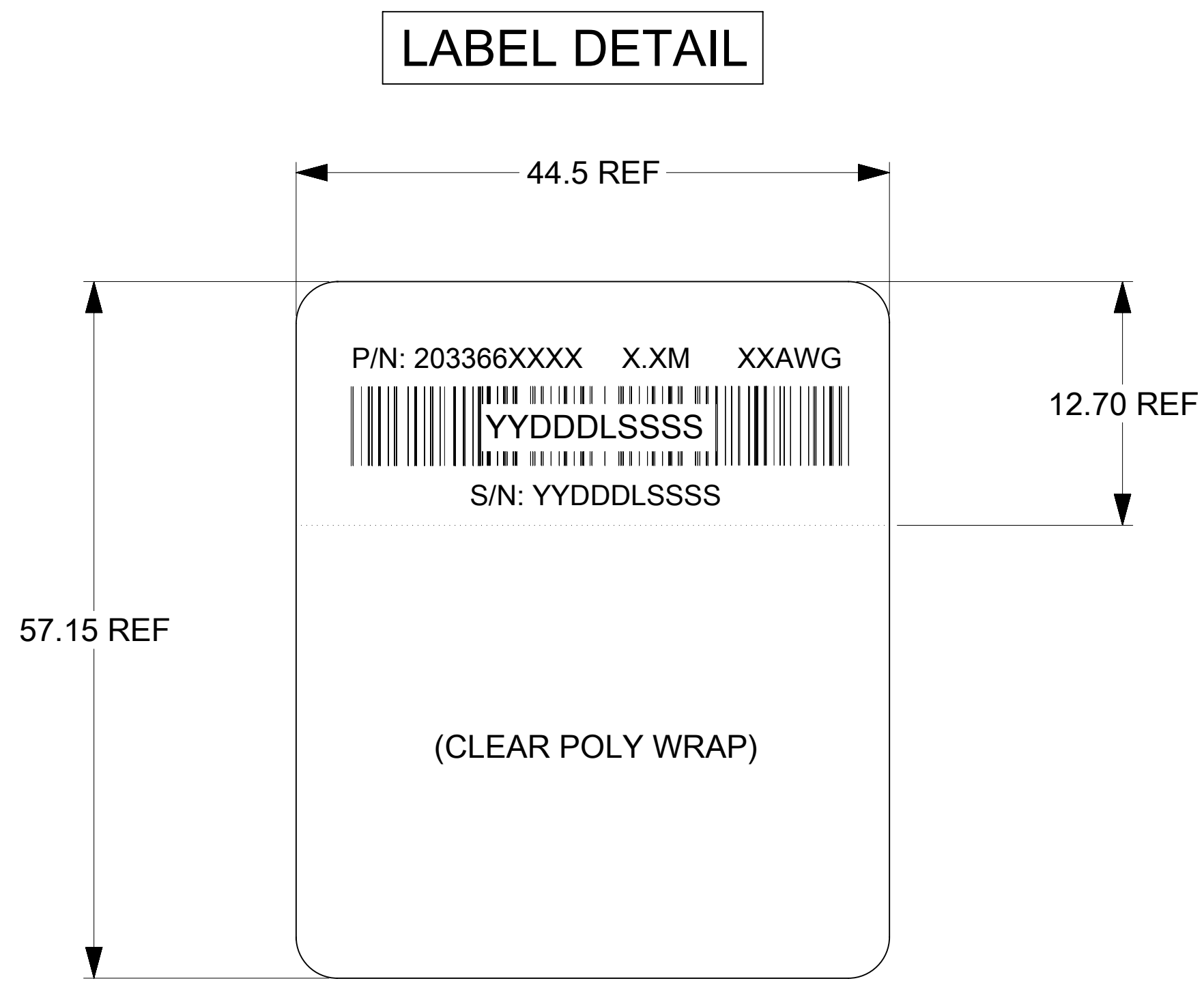
QSFP-DD TO 2-ZQSFP+ 56G CABLE ASSEMBLY

PRODUCT CUSTOMER DRAWING

WIRING DIAGRAM



FUNCTIONAL SYMBOLS $F_A = 0$ $F_C = 0$ $F_P = 0$ DIVISIONAL SYMBOLS	THIS DRAWING CONTAINS INFORMATION THAT IS PROPRIETARY TO MOLEX ELECTRONIC TECHNOLOGIES, LLC AND SHOULD NOT BE USED WITHOUT WRITTEN PERMISSION		CURRENT REV DESC: UPDATED WIRING DIAGRAM	
	DIMENSION UNITS	SCALE	<div style="text-align: center; font-size: 24pt; font-weight: bold;">molex</div> <p>QSFP-DD TO 2-ZQSFP+ 56G CABLE ASSEMBLY</p> <p style="text-align: center;">PRODUCT CUSTOMER DRAWING</p>	
	mm	1:1		
	GENERAL TOLERANCES (UNLESS SPECIFIED)			
ANGULAR TOL ± 5.0°				
4 PLACES ±		EC NO: 637688		
3 PLACES ±		DRWN: KNAGANNA 2020/05/05		
2 PLACES ± 0.13		CHK'D: BHADAGINAL 2020/05/15		
1 PLACE ± 0.25		APPR: KNAGANNA 2020/05/15		
0 PLACES ±		INITIAL REVISION:		
DRAFT WHERE APPLICABLE MUST REMAIN WITHIN DIMENSIONS		DRWN: SRATKOVIC 2016/12/01		
THIRD ANGLE PROJECTION		APPR: ADTUCKER 2017/10/17		
D-DRAWING		SERIES		
D-SIZE		203366		
SEE P/N TABLE		MATERIAL NUMBER		
GENERAL MARKET		CUSTOMER		
3 OF 4		SHEET NUMBER		



MOLEX P/N	LENGTH (M)	AWG
2033661005	0.5M +/- 0.05M	30
2033661010	1.0M +/- 0.05M	30
2033661015	1.5M +/- 0.08M	30
2033663005	0.5M +/- 0.05M	28
2033663010	1.0M +/- 0.05M	28
2033663015	1.5M +/- 0.08M	28
2033663020	2.0M +/- 0.08M	28
2033663025	2.5M +/- 0.08M	28
2033663030	3.0M +/- 0.08M	26

*LENGTHS UNDER 1.0M MAY NOT MEET ALL IEEE802.3cd SPEC

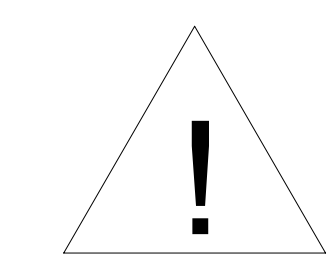
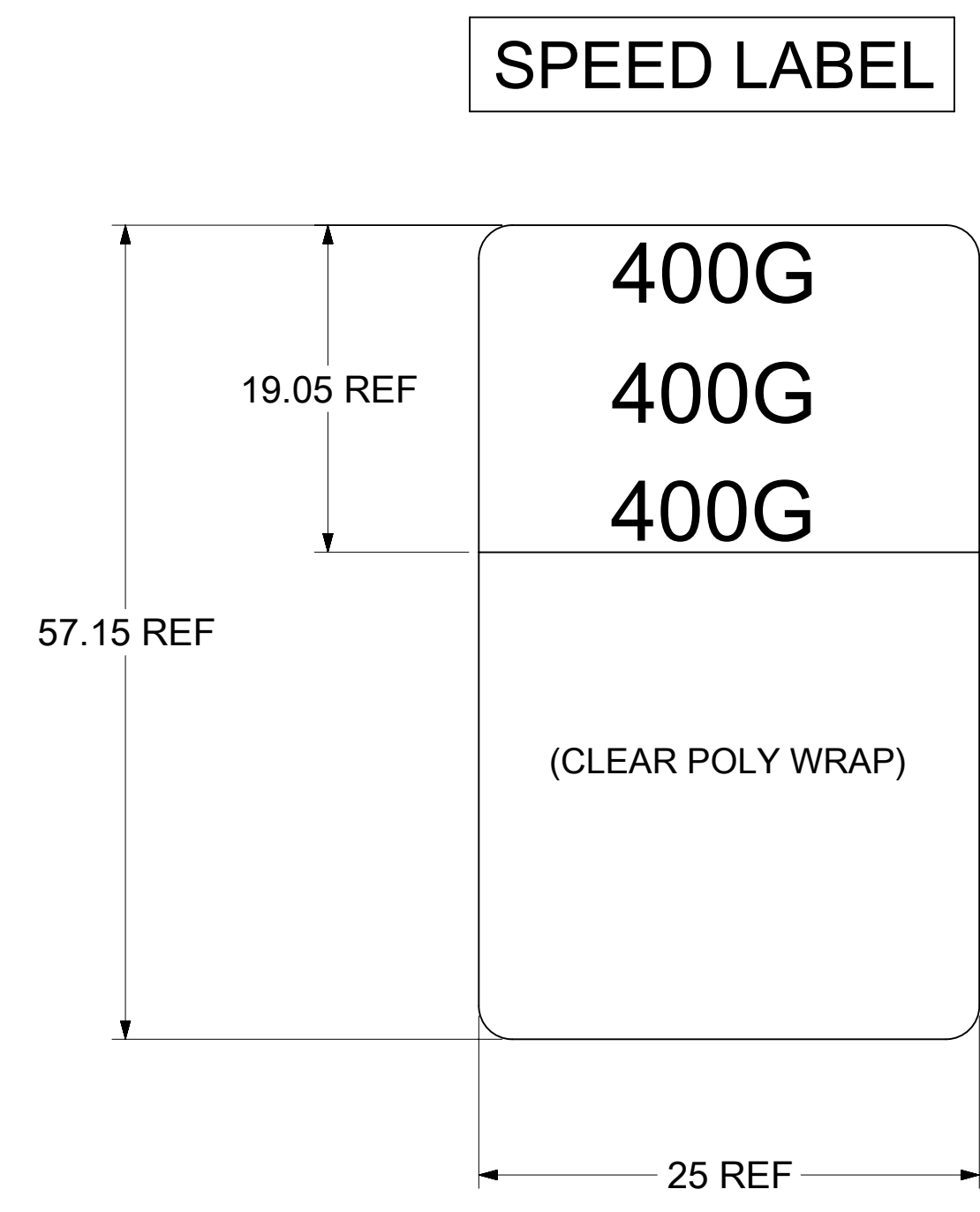
P/N: 203366XXXX - MOLEX PART NUMBER (SEE P/N TABLE)

X.XM - CABLE LENGTH IN METERS (EXAMPLES - 0.5M, 1.0M, 1.5M)

XXAWG - CABLE SIZE IN AWG

S/N: YYDDLSSSS - SERIAL NUMBER
 YY = YEAR, THE LAST 2 DIGITS OF YEAR
 DDD = DAY OF THE YEAR
 L = LOCATION
 1 - USA
 2 - MEXICO
 3 - CHINA
 4 - PHILIPPINES
 SSSS = SERIAL NUMBER (0001-9999)

PX: P1, P2, OR P3



TENTATIVE PROPOSAL
PENDING ELECTRICAL QUALIFICATION

FUNCTIONAL SYMBOLS FA = 0 FC = 0 FP = 0 DIVISIONAL SYMBOLS	THIS DRAWING CONTAINS INFORMATION THAT IS PROPRIETARY TO MOLEX ELECTRONIC TECHNOLOGIES, LLC AND SHOULD NOT BE USED WITHOUT WRITTEN PERMISSION								
	DIMENSION UNITS	SCALE	CURRENT REV DESC: UPDATED WIRING DIAGRAM						
	mm	1:1	GENERAL TOLERANCES (UNLESS SPECIFIED)	EC NO: 637688 DRWN: KNAGANNA 2020/05/05 CHK'D: BHADAGINAL 2020/05/15 APPR: KNAGANNA 2020/05/15					
	ANGULAR TOL ± 5.0° 4 PLACES ± 3 PLACES ± 2 PLACES ± 0.13 1 PLACE ± 0.25 0 PLACES ±			INITIAL REVISION: DRWN: SRATKOVIC 2016/12/01 APPR: ADTUCKER 2017/10/17					
DRAFT WHERE APPLICABLE MUST REMAIN WITHIN DIMENSIONS			THIRD ANGLE PROJECTION	DRAWING	SERIES	MATERIAL NUMBER	CUSTOMER	SHEET NUMBER	
				D-SIZE	203366	SEE P/N TABLE	GENERAL MARKET	4 OF 4	
DOCUMENT STATUS		P1	RELEASE DATE	2020/05/15	14:30:31				