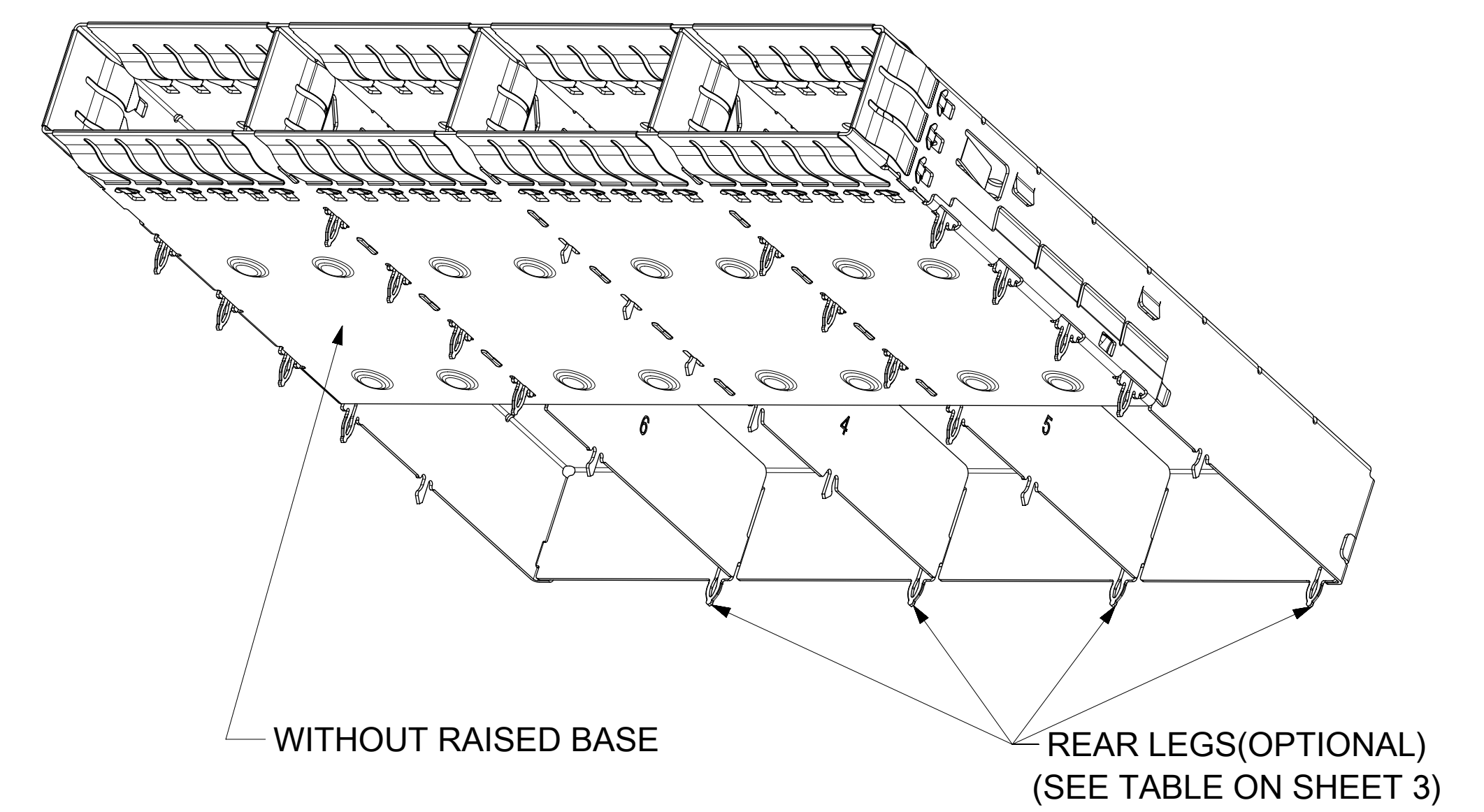
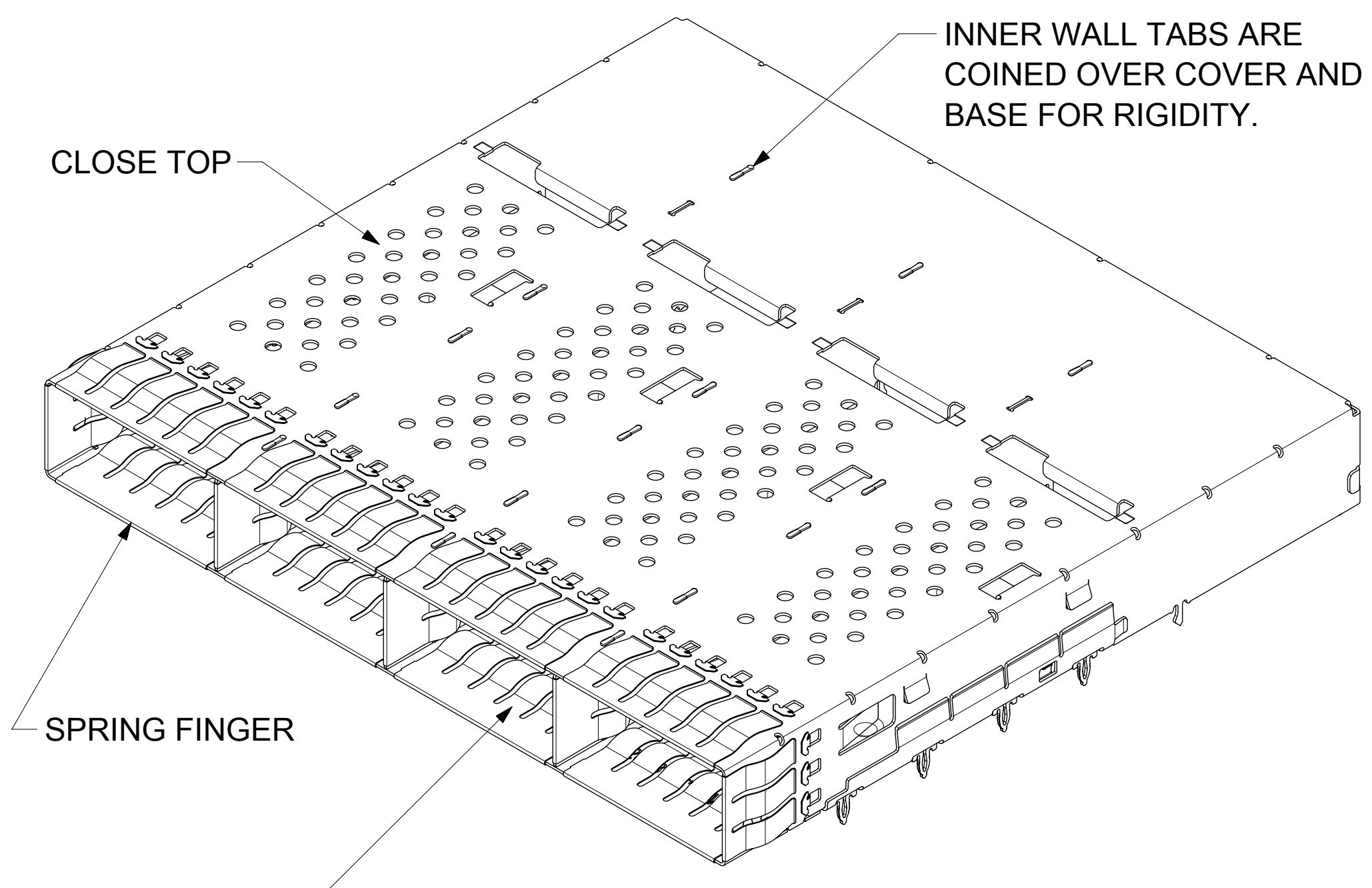
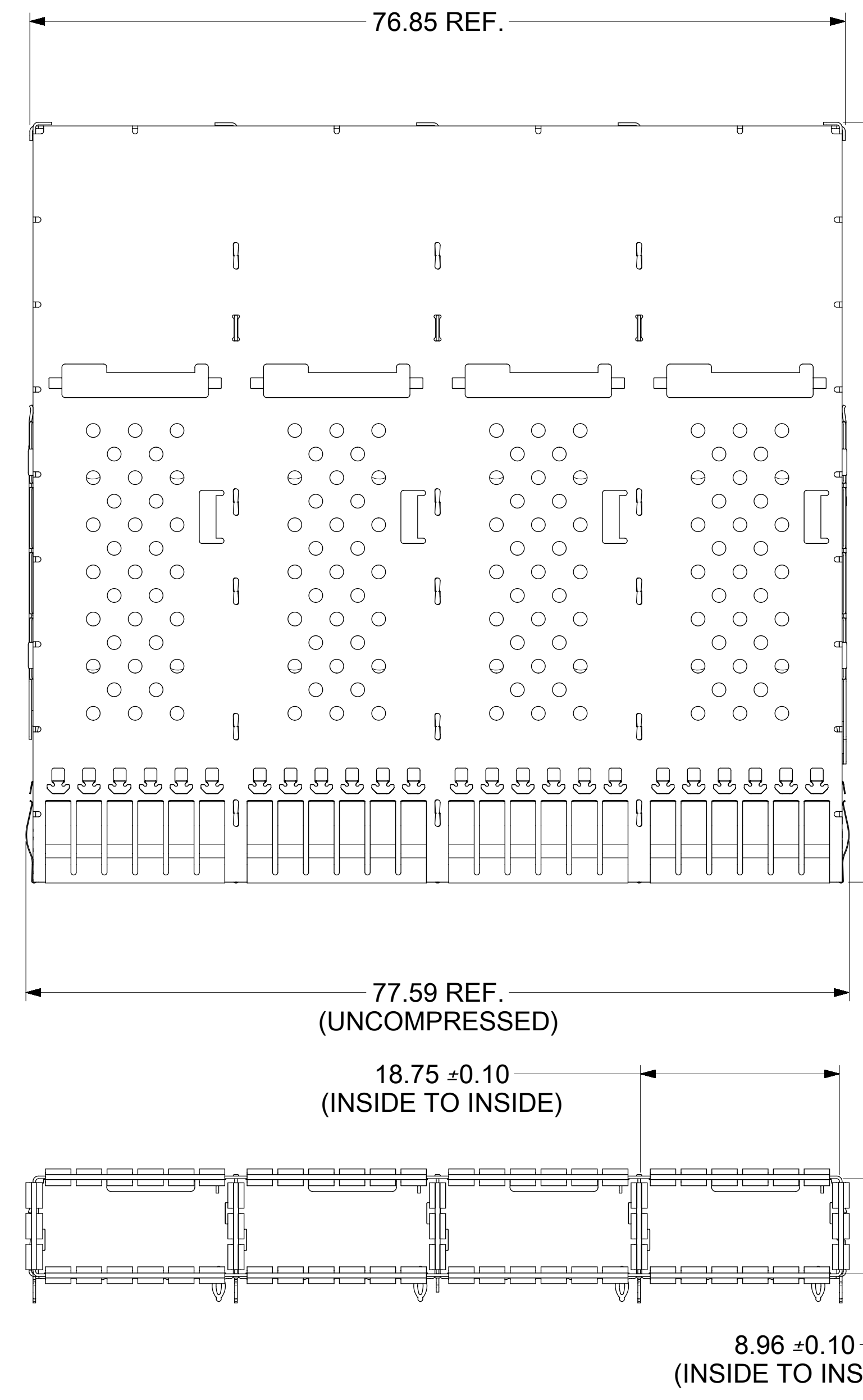


BASE CAGE DETAILS

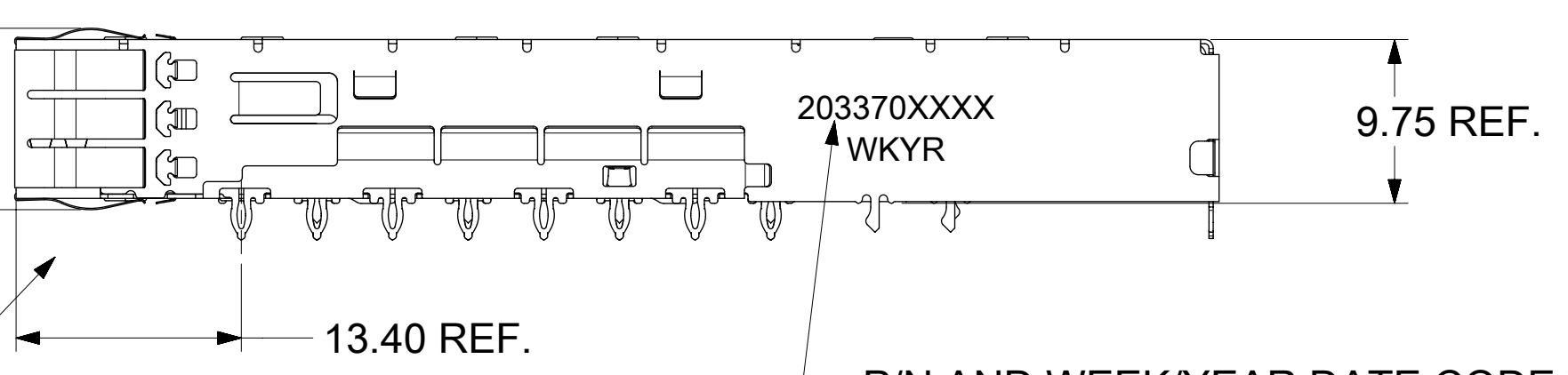
2033701244 SHOWN



DIMENSIONS OF EACH INNER CAGE DESIGNED TO FUNCTION WITH QUAD SMALL FORM-FACTOR (zQSFP+ & QSFP-DD) TRANSCEIVER

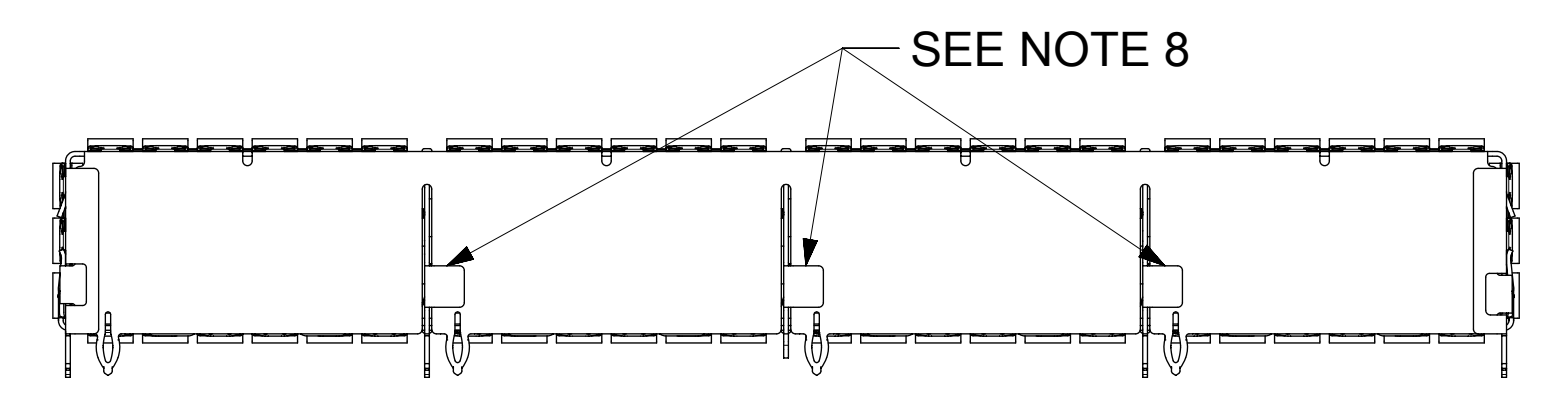
FROM THE EDGE OF CAGE COVER

10.80 REF. (UNCOMPRESSED)



FROM THE EDGE OF CAGE COVER

P/N AND WEEK/YEAR DATE CODE TO BE PRINTED ON SIDE OF COMPLETED CAGE ASSEMBLY APPROXIMATELY AS SHOWN. SEE TABLE BELOW FOR DATE CODE INFORMATION.



- NOTES:**
- MATERIAL: CAGE: STAINLESS STEEL
CENTER WALLS: STAINLESS STEEL
SPRING FINGERS: STAINLESS STEEL
HEAT SINK: ALUMINUM(BLACK ANODIZATION)
HEAT SINK CLIP: STAINLESS STEEL
 - DRAWING APPLIES TO ALL P/N'S SHOWN ON SHEET 3
 - DURING FINAL INSPECTION, CAGE LEG LOCATIONS AND STRAIGHTNESS MUST BE CHECKED USING APPROPRIATE GO - NO GO GAGE
 - DURING FINAL INSPECTION, CAGE MUST BE INSPECTED TO MAKE SURE LEG CONFIGURATIONS AND PART NUMBERS ARE CORRECT, REFER TO SHEETS 3.
 - PARTS TO BE INSPECTED PER MOLEX COSMETIC SPEC WI-HP-7-2774 (CLASS B UNLESS OTHERWISE SPECIFIED)
 - PRESS-FIT LEGS 2.20mm LONG -
1.57mm MINIMUM PCB THICKNESS FOR SINGLE SIDED USE.
2.70mm MINIMUM PCB THICKNESS FOR BELLY TO BELLY USE.
 - NO RoHS EXEMPTIONS.
 - WELD SPOT MAY SHOW SLIGHT MATERIAL DISCOLORATION.

WEEK/YEAR DATE CODE TABLE	
WK	WEEK OF THE YEAR 01 THRU 52 OR 53 (EXAMPLE: 01= FIRST WEEK OF YEAR, 52 OR 53 = LAST WEEK OF YEAR)
YR	17, 18, 19 ETC.. (EXAMPLE: YEAR 2017= 17)

SYMBOLS	THIS DRAWING CONTAINS INFORMATION THAT IS PROPRIETARY TO MOLEX ELECTRONIC TECHNOLOGIES, LLC AND SHOULD NOT BE USED WITHOUT WRITTEN PERMISSION		CURRENT REV DESC: SEE REVISION TABLE	
	DIMENSION UNITS	SCALE		
▽ = 0	mm	2.5:1		
▽ = 0	GENERAL TOLERANCES (UNLESS SPECIFIED)			
▽ = 0	ANGULAR TOL	± 2.0°		
▽ = 0	4 PLACES	±		
▽ = 0	3 PLACES	±		
▽ = 0	2 PLACES	± 0.13		
▽ = 0	1 PLACE	± 0.25		
▽ = 0	0 PLACES	±		
■ = 0	DRAFT WHERE APPLICABLE MUST REMAIN WITHIN DIMENSIONS			
▽ = 0	THIRD ANGLE PROJECTION	DRAWING	SERIES	
		D-SIZE	203370	
		MATERIAL NUMBER	CUSTOMER	SHEET NUMBER
		SEE P/N TABLE	GENERAL MARKET	1 OF 7

molex

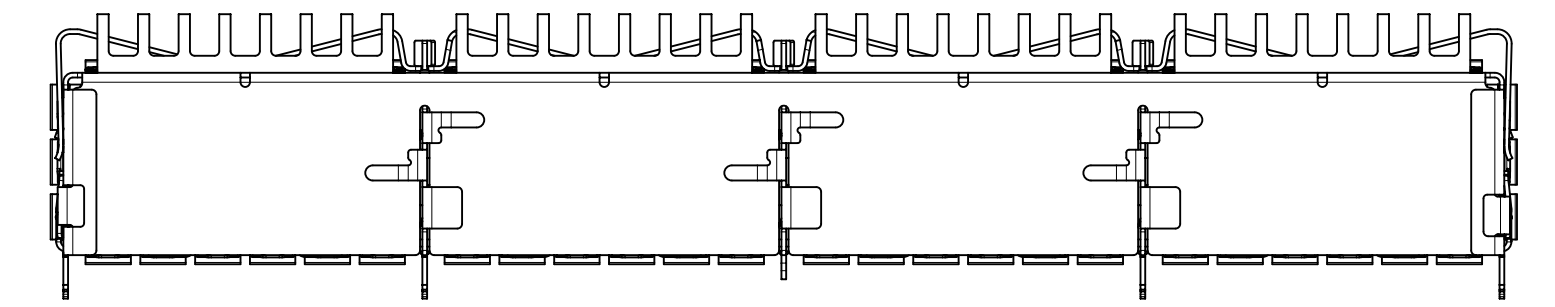
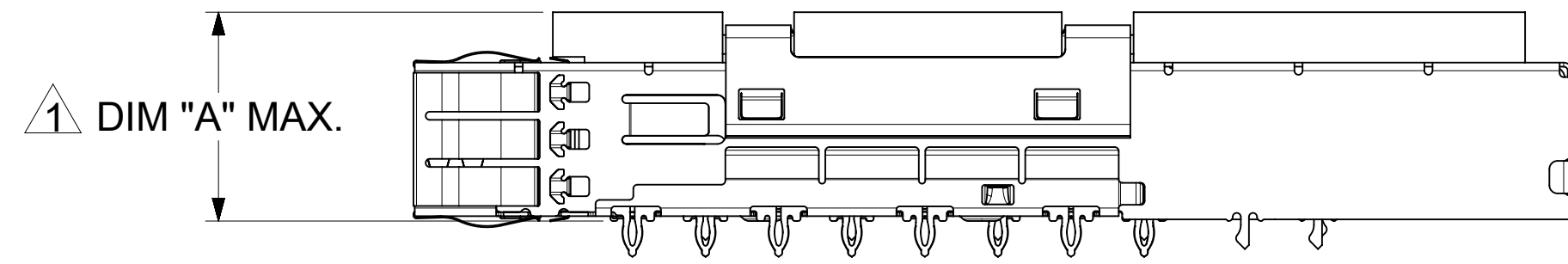
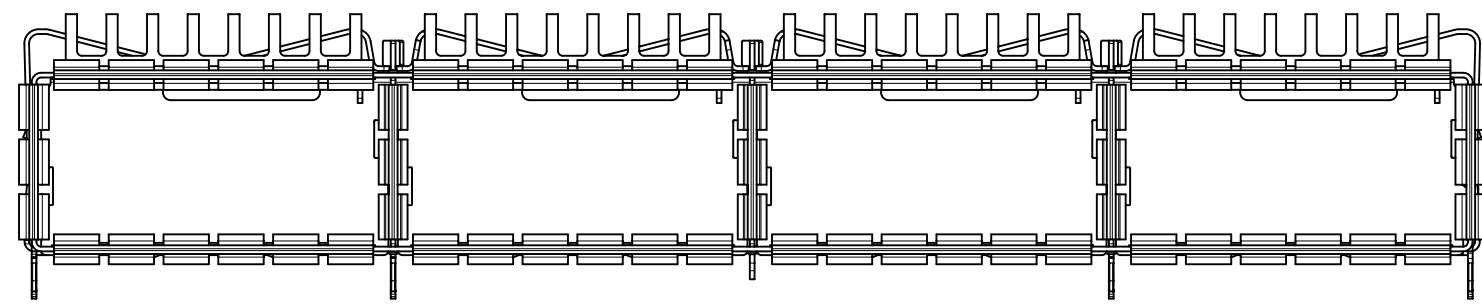
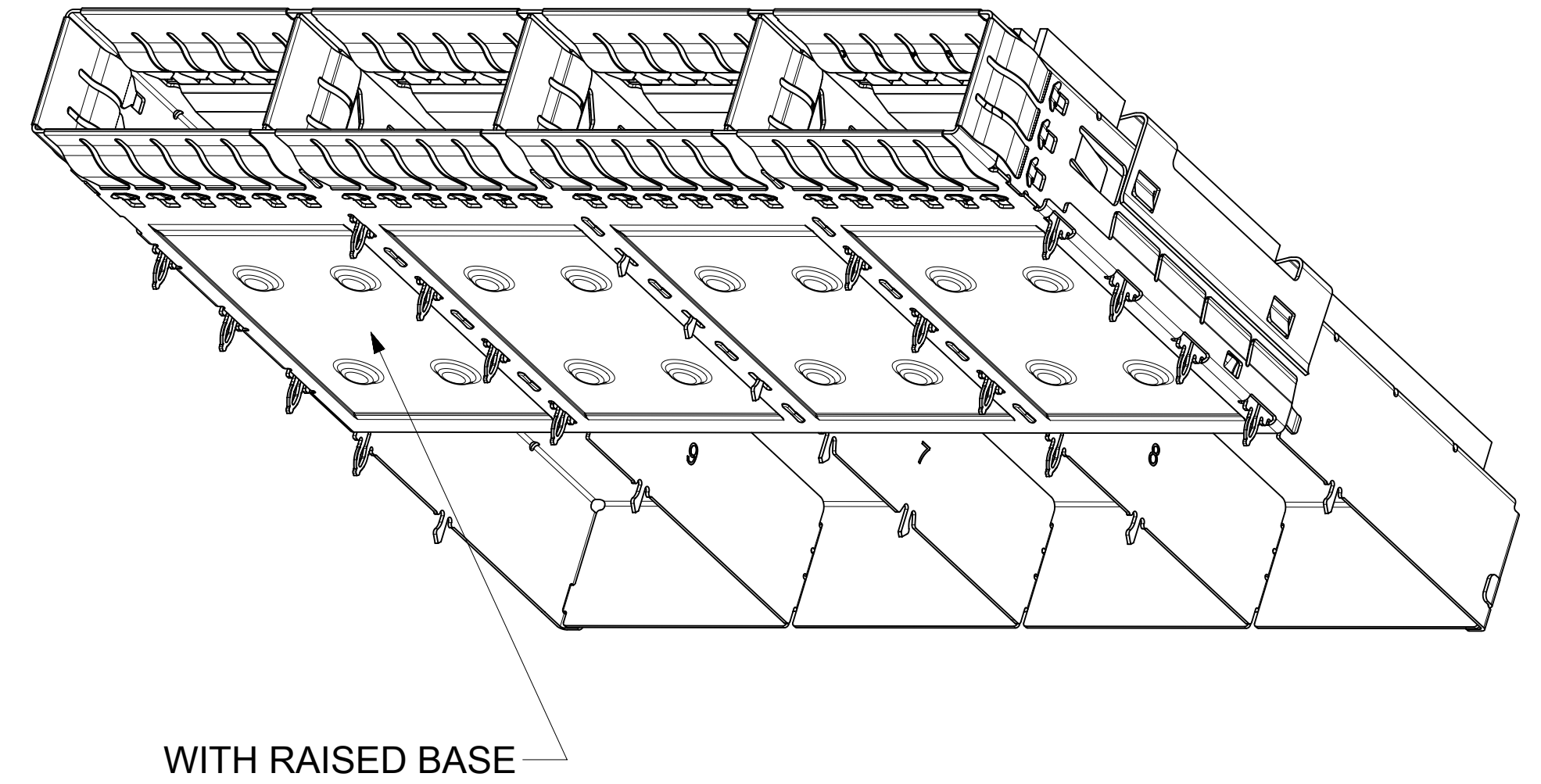
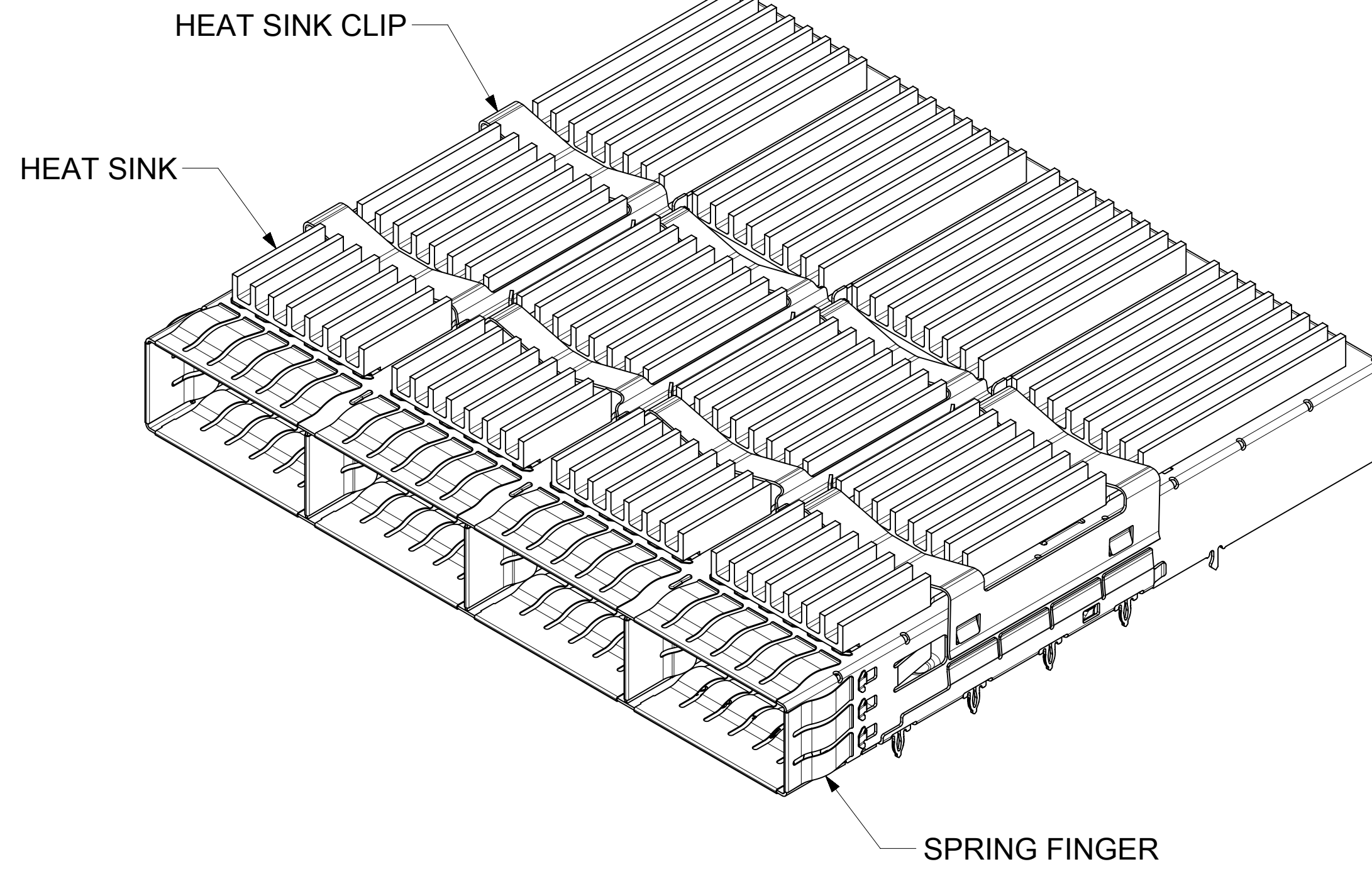
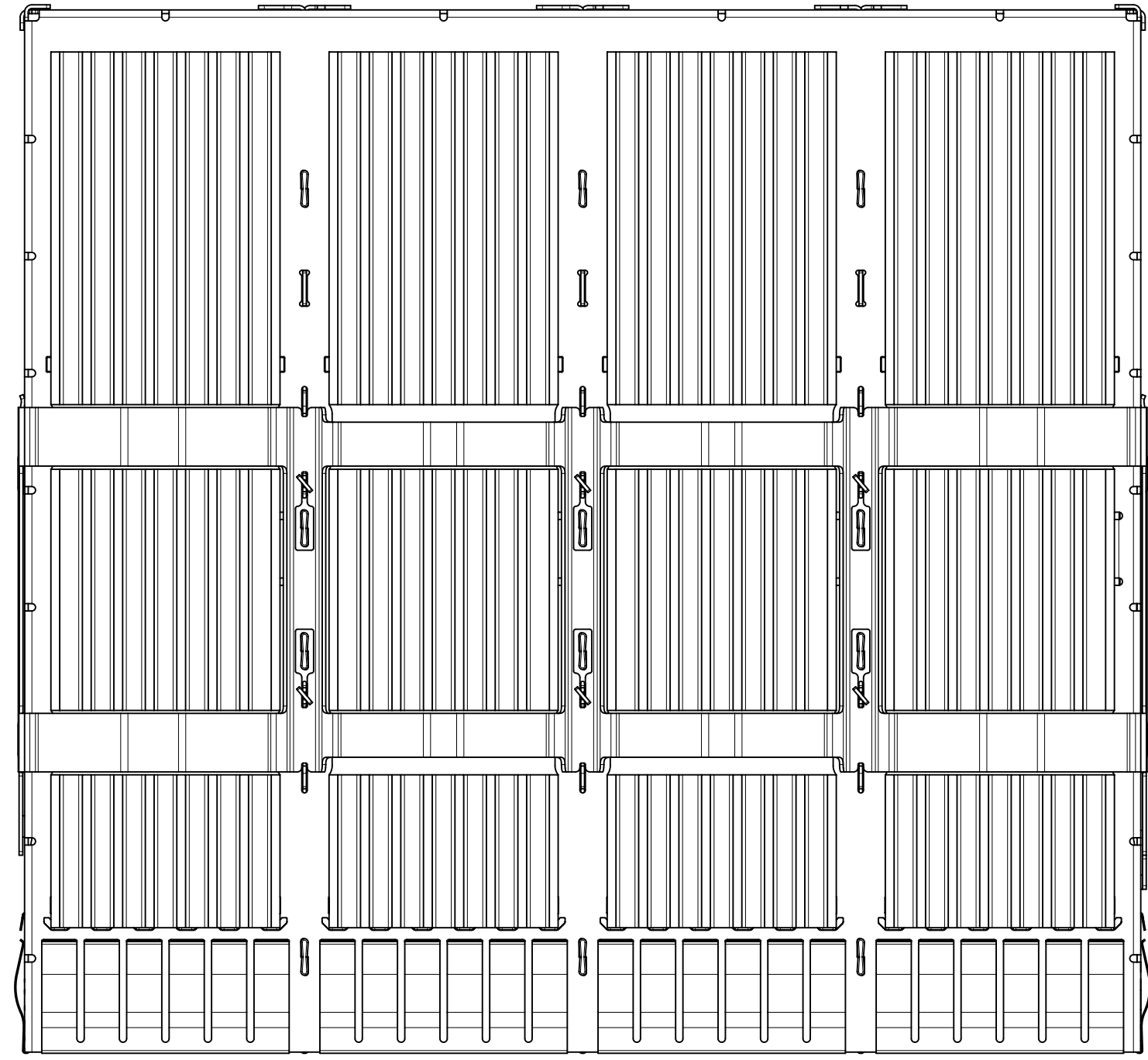
QSFP-DD 1X4 GANGED CAGE ASSY
SF WITH FIN H/S OPTIONS

PRODUCT CUSTOMER DRAWING

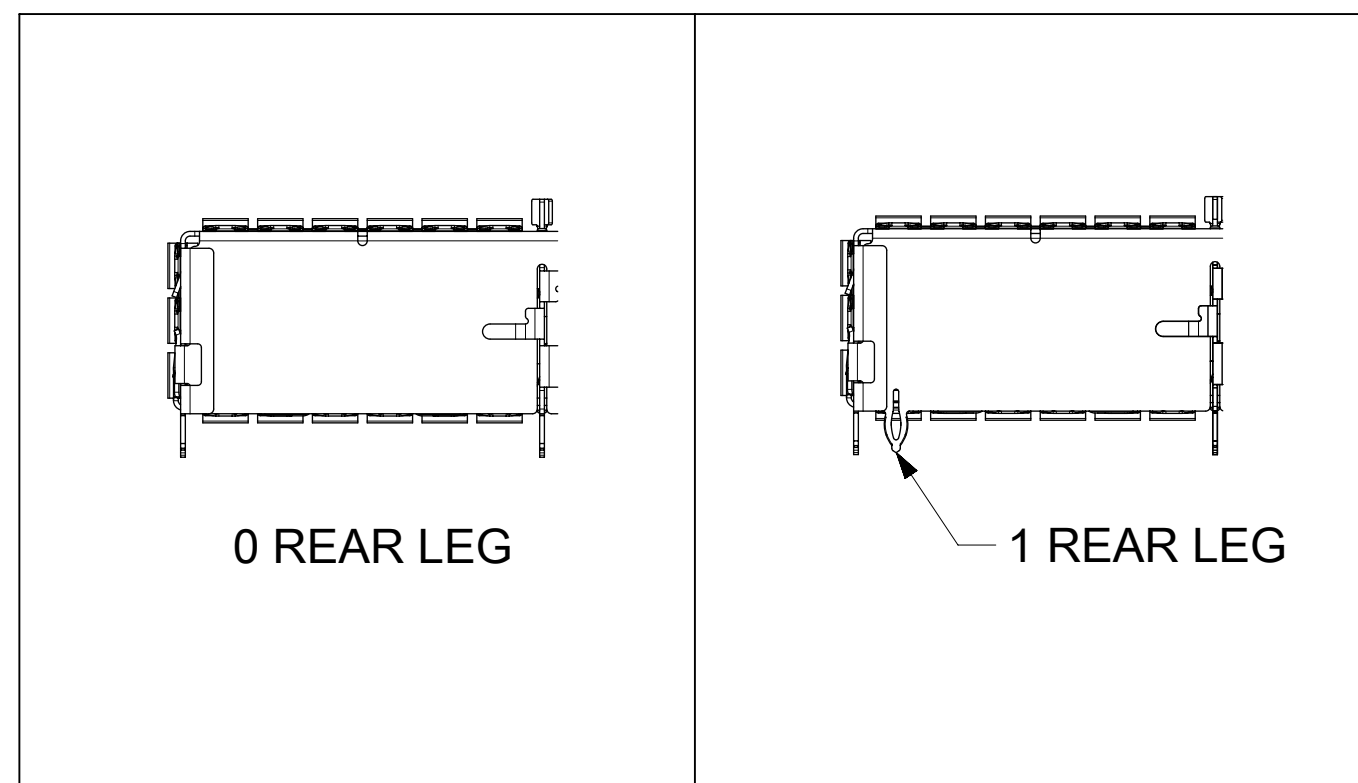
DOCUMENT NUMBER	DOC TYPE	DOC PART	REVISION
2033701201	PSD	ASY	D3

CAGE ASSEMBLY OPTIONS

2033702346 SHOWN



REAR LEG OPTIONS



HEAT SINK HEIGHT OPTIONS

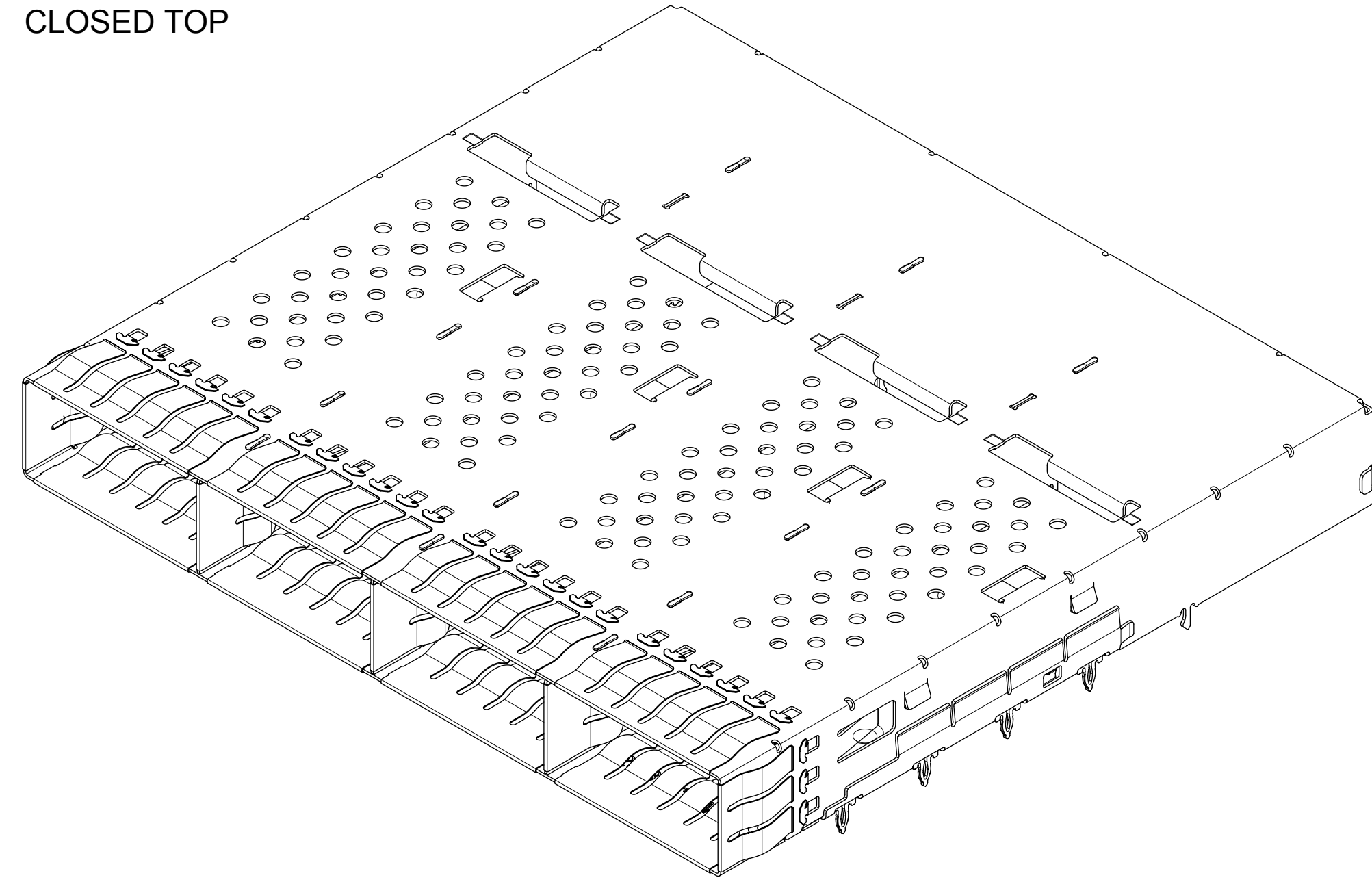
OVERALL HEAT SINK HEIGHT	DIM "A"
PCI	13.7
SAN	16.0
NET	23.0

Δ HEIGHT OF HEAT SINK WITH MODULE INSERTED.
DIMENSION MAY BE LESS DUE TO MODULE AND HEAT SINK VARIATIONS.

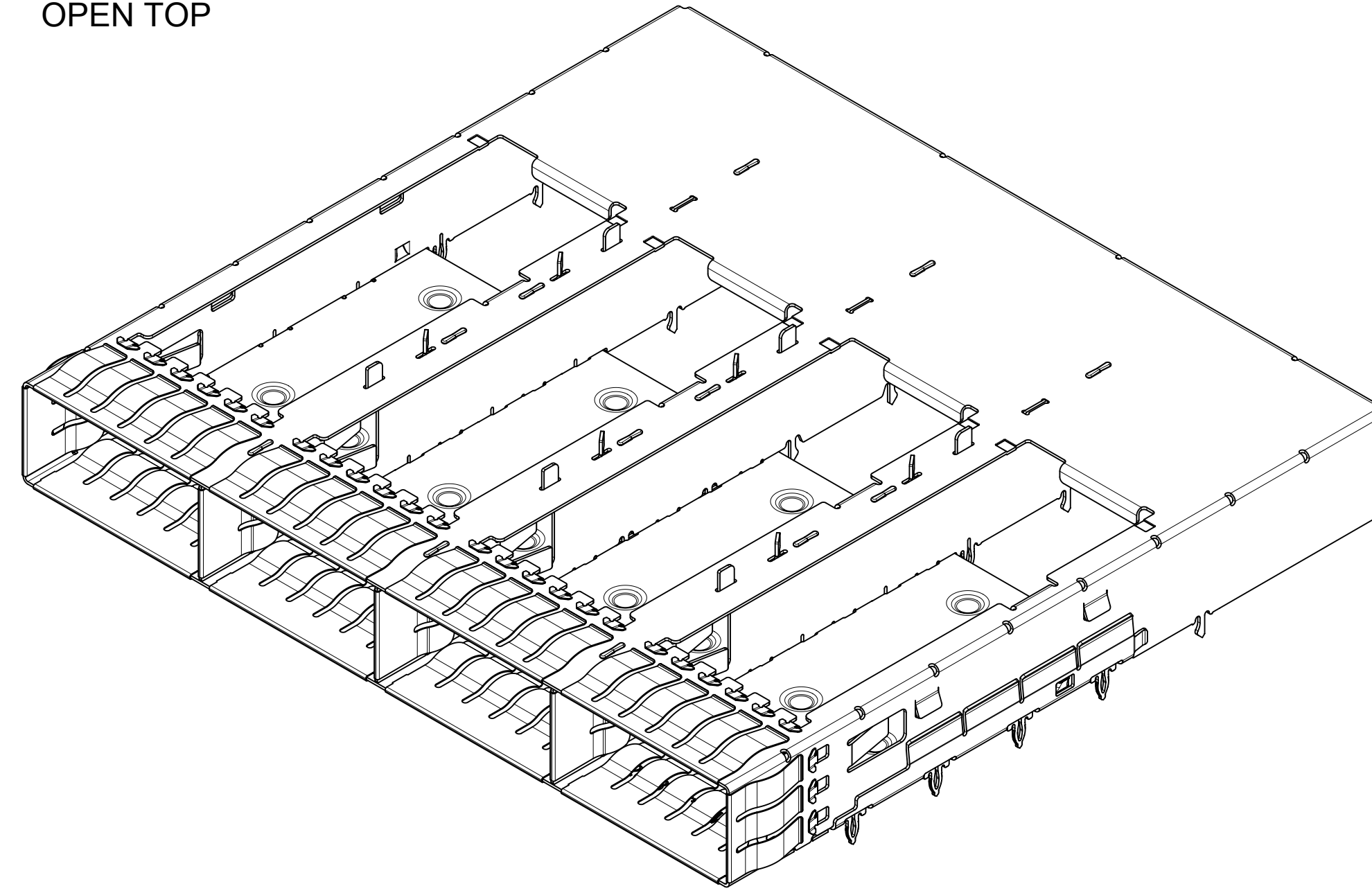
SYMBOLS	THIS DRAWING CONTAINS INFORMATION THAT IS PROPRIETARY TO MOLEX ELECTRONIC TECHNOLOGIES, LLC AND SHOULD NOT BE USED WITHOUT WRITTEN PERMISSION			
	DIMENSION UNITS	SCALE		
$\nabla = 0$	mm	2.5:1		
$\nabla = 0$	GENERAL TOLERANCES (UNLESS SPECIFIED)			
$\nabla = 0$	ANGULAR TOL	$\pm 2.0^\circ$		
$\nabla = 0$	4 PLACES	\pm	EC NO: 629406	
$\nabla = 0$	3 PLACES	\pm	DRWN: JYEN01 2019/12/13	
$\nabla = 0$	2 PLACES	± 0.13	CHK'D: SCHIEN 2019/12/20	
$\nabla = 0$	1 PLACE	± 0.25	APPR: JCHIANG 2019/12/20	
$\nabla = 0$	0 PLACES	\pm	INITIAL REVISION:	
$\nabla = 0$	DRAFT WHERE APPLICABLE MUST REMAIN WITHIN DIMENSIONS		DRWN: MKEMPEGOWDA 2017/07/21	
$\nabla = 0$	THIRD ANGLE PROJECTION		APPR: RCHEN08 2017/08/15	
		DRAWING	SERIES	
		D-SIZE	203370	
DOCUMENT STATUS		P1	RELEASE DATE	
2019/12/20		10:48:50		
DOCUMENT NUMBER		2033701201	DOC TYPE	
PSD		DOC PART	REVISION	
ASY		D3		
MATERIAL NUMBER		CUSTOMER	SHEET NUMBER	
SEE P/N TABLE		GENERAL MARKET	2 OF 7	

PART NUMBER SELECTION

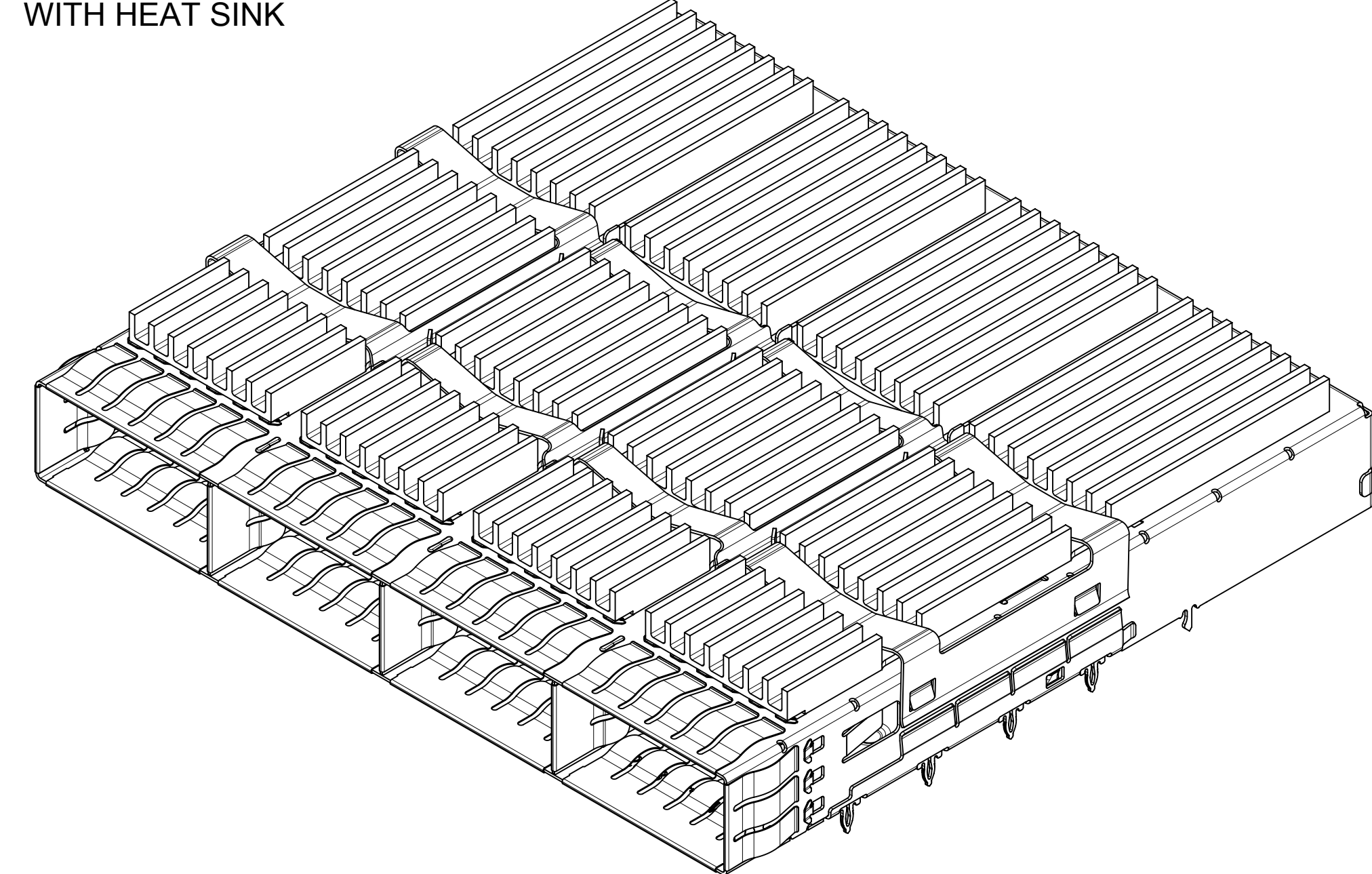
CLOSED TOP



OPEN TOP



WITH HEAT SINK



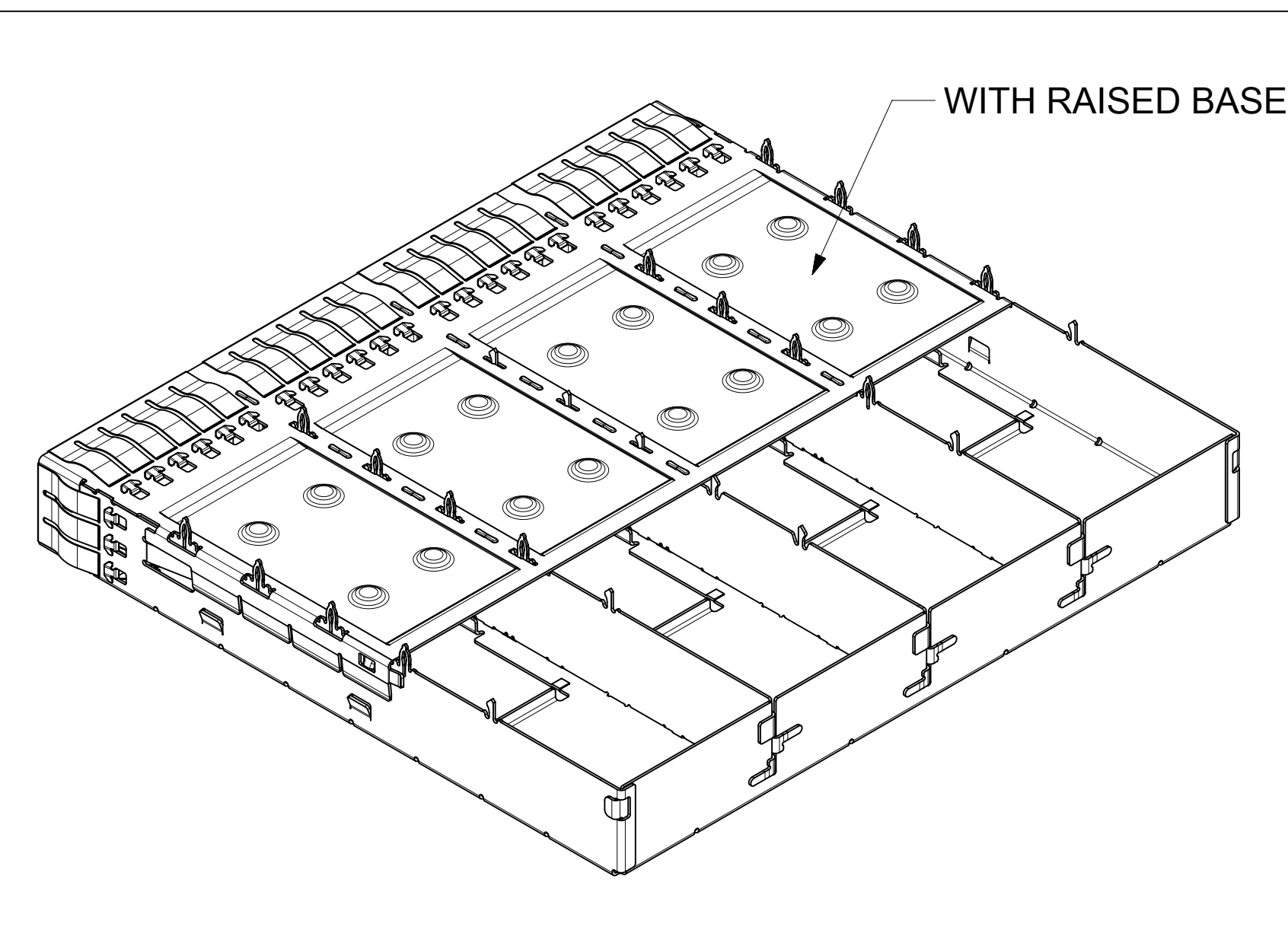
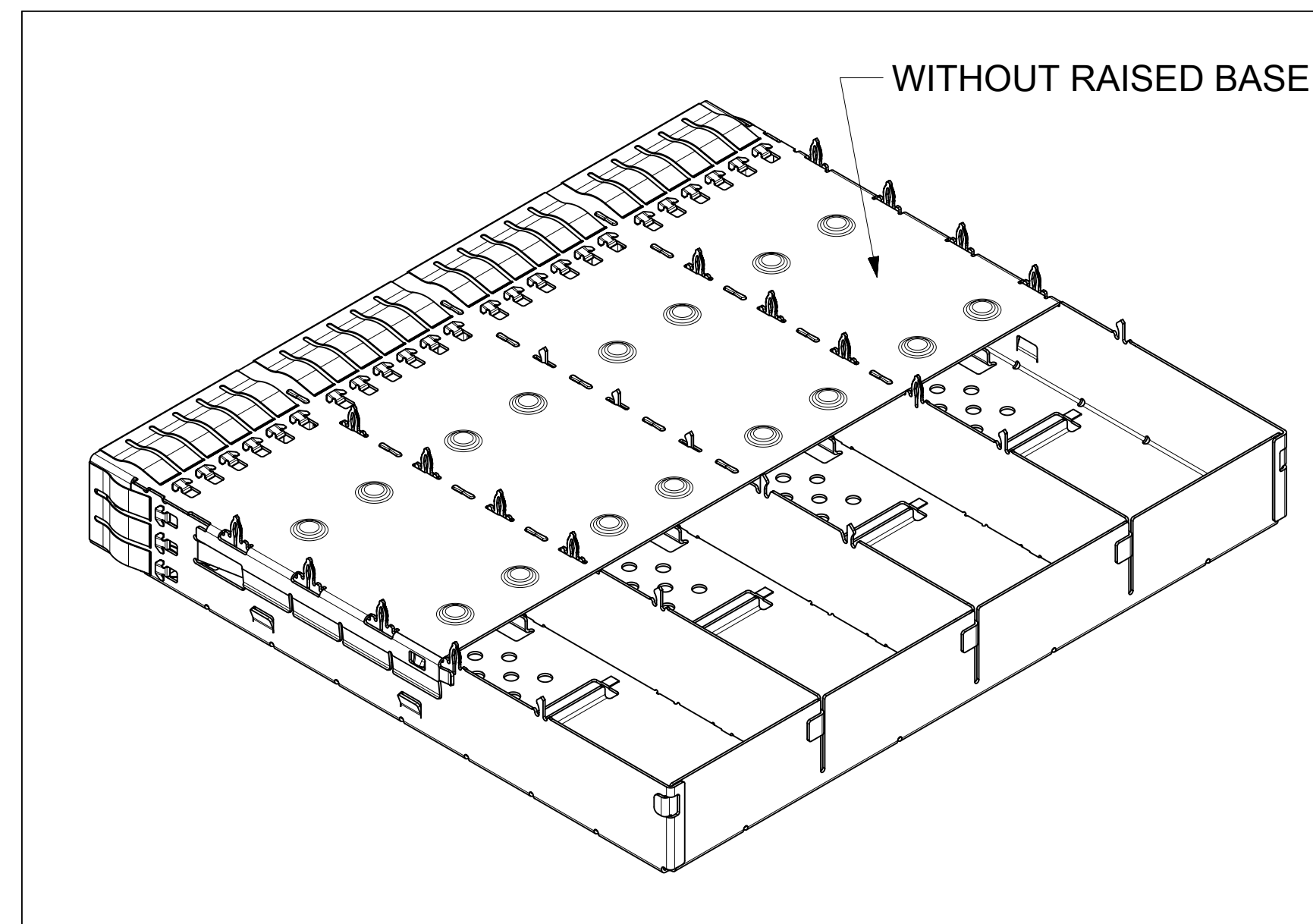
MOLEX P/N	# OF REAR LEGS PER PORT	WITH RAISED BASE
2033701243	0	NO
2033701244	1	NO

MOLEX P/N	# OF REAR LEGS PER PORT	WITH RAISED BASE
2033701253	0	NO
2033701254	1	NO
2033702253	0	YES
2033702254	1	YES

MOLEX P/N	HEAT SINK	# OF REAR LEGS PER PORT	WITH RAISED BASE
2033701346	PCI	0	NO
2033701347	SAN	0	NO
2033701348	NET	0	NO
2033701349	PCI	1	NO
2033701350	SAN	1	NO
2033701351	NET	1	NO
2033702346	PCI	0	YES
2033702347	SAN	0	YES
2033702348	NET	0	YES
2033702349	PCI	1	YES
2033702350	SAN	1	YES
2033702351	NET	1	YES

RAISED BASE OPTIONS

SCALE 2:1



SYMBOLS DIMENSION UNITS: mm SCALE: 2.5:1 GENERAL TOLERANCES (UNLESS SPECIFIED): ANGULAR TOL: ± 2.0° 4 PLACES: ± 3 PLACES: ± 2 PLACES: ± 0.13 1 PLACE: ± 0.25 0 PLACES: ± DRAFT WHERE APPLICABLE MUST REMAIN WITHIN DIMENSIONS	THIS DRAWING CONTAINS INFORMATION THAT IS PROPRIETARY TO MOLEX ELECTRONIC TECHNOLOGIES, LLC AND SHOULD NOT BE USED WITHOUT WRITTEN PERMISSION. CURRENT REV DESC: SEE REVISION TABLE		molex QSFP-DD 1X4 GANGED CAGE ASSY SF WITH FIN H/S OPTIONS PRODUCT CUSTOMER DRAWING DOCUMENT NUMBER: 2033701201 DOC TYPE: PSD DOC PART: ASY REVISION: D3	
	EC NO: 629406 DRWN: JYEN01 CHK'D: SCHIEN APPR: JCHIANG	2019/12/13 2019/12/20 2019/12/20		MATERIAL NUMBER: 2033701201 CUSTOMER: GENERAL MARKET
	INITIAL REVISION: DRWN: MKEMPEGOWDA APPR: RCHEN08	2017/07/21 2017/08/15		SHEET NUMBER: 3 OF 7
DOCUMENT STATUS: P1 RELEASE DATE: 2019/12/20 10:48:50	DRAFT WHERE APPLICABLE MUST REMAIN WITHIN DIMENSIONS	THIRD ANGLE PROJECTION DRAWING: D-SIZE SERIES: 203370	SHEET NUMBER: 3 OF 7	

PCB LAYOUT FOR SINGLE SIDED MOUNTING

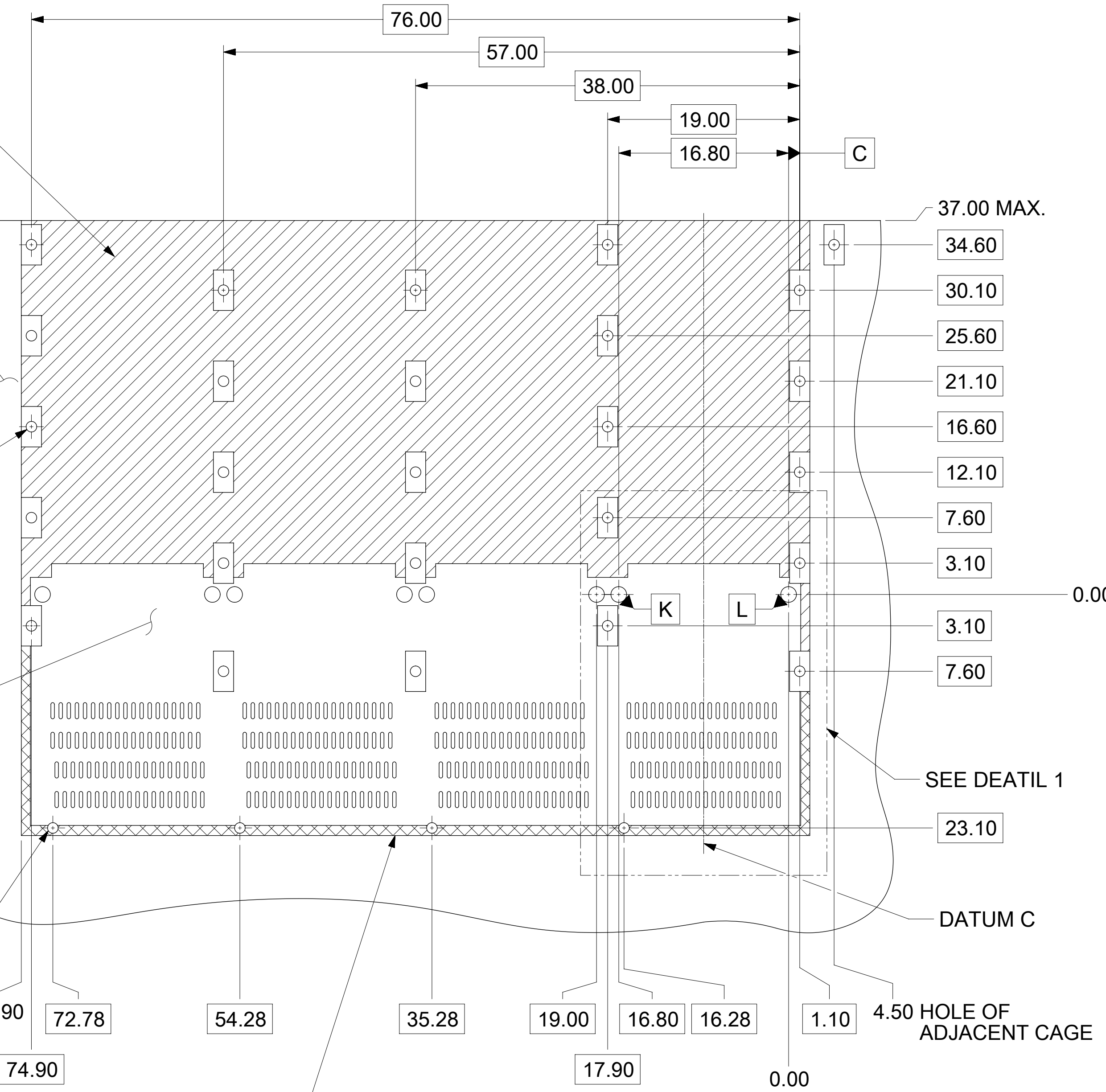
HATCHED AREA DENOTES COMPONENT KEEP-OUT AND NO SURFACE TRACES. (EXCEPT CHASSIS GROUND)

DATUM -A- IS THE TOP SURFACE OF HOST BOARD

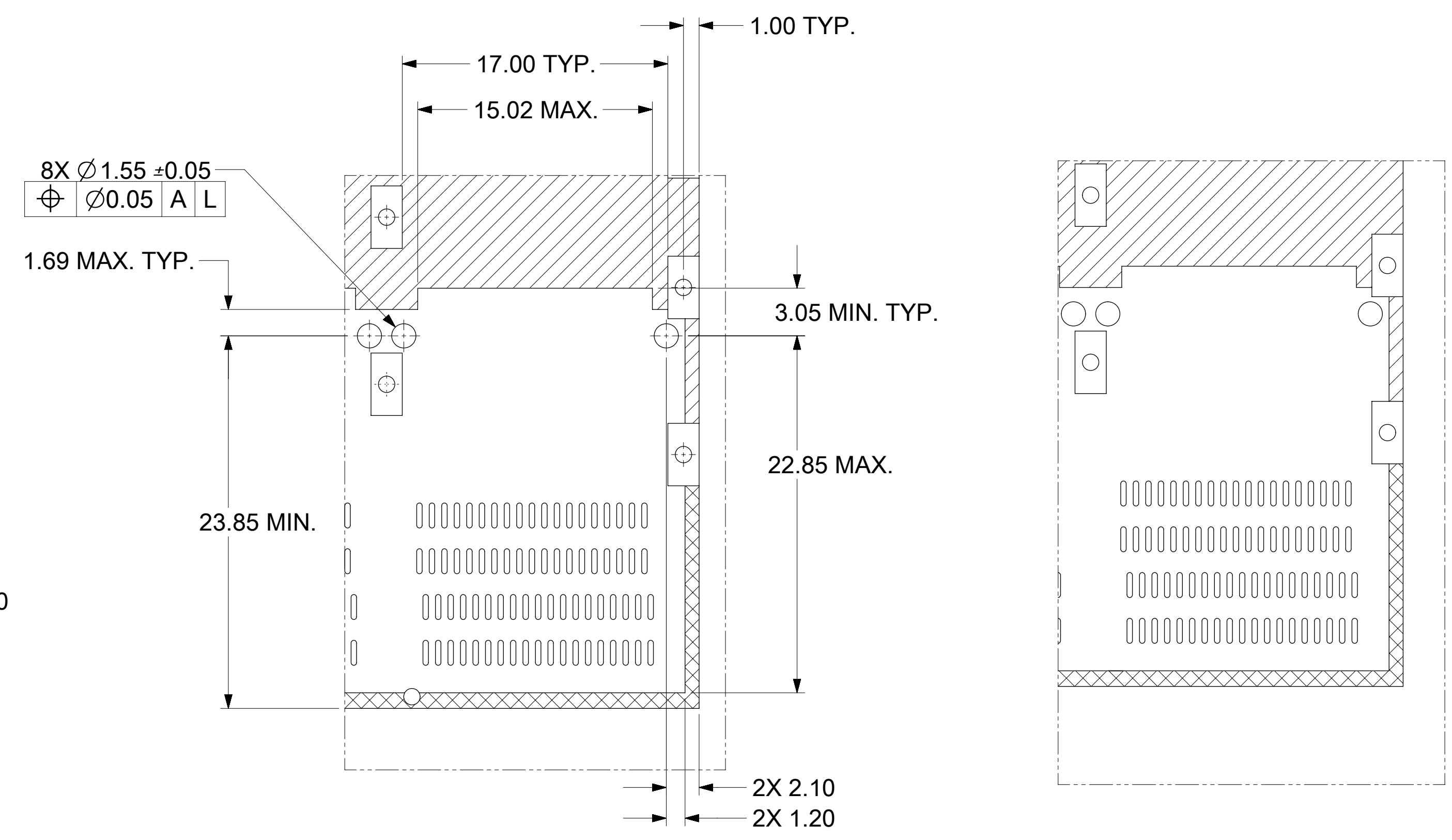
AREA DENOTES COMPONENT KEEP-OUT AND NO SURFACE TRACES. (EXCEPT CHASSIS GROUND)

CROSS HATCHED AREA DENOTES COMPONENT KEEP-OUT AND NO SURFACE TRACES. (EXCEPT FOR CHASSIS GROUND)

HOLES FOR OPTIONAL REAR LEGS



HOST CONNECTOR DETAIL



1 REAR LEGS

DETAIL 1
SCALE 4:1

NO REAR LEGS

PARTIAL 1
SCALE 4:1

- NOTES:
- PADS AND VIAS GO TO CHASSIS GROUND. (RECOMMENDED PADS TO BE 2.00mm X 4.00mm RETANGLE.)
 - RECOMMENDED THRU HOLE PLATING INCLUDES HASL, OSP, OR IMMERSION (GOLD, SILVER, OR TIN).
 - CONNECTOR PAD LAYOUT PER QSFP-DD MSA WILL ACCOMODATE MOLEX CONNECTOR SERIES 202718.

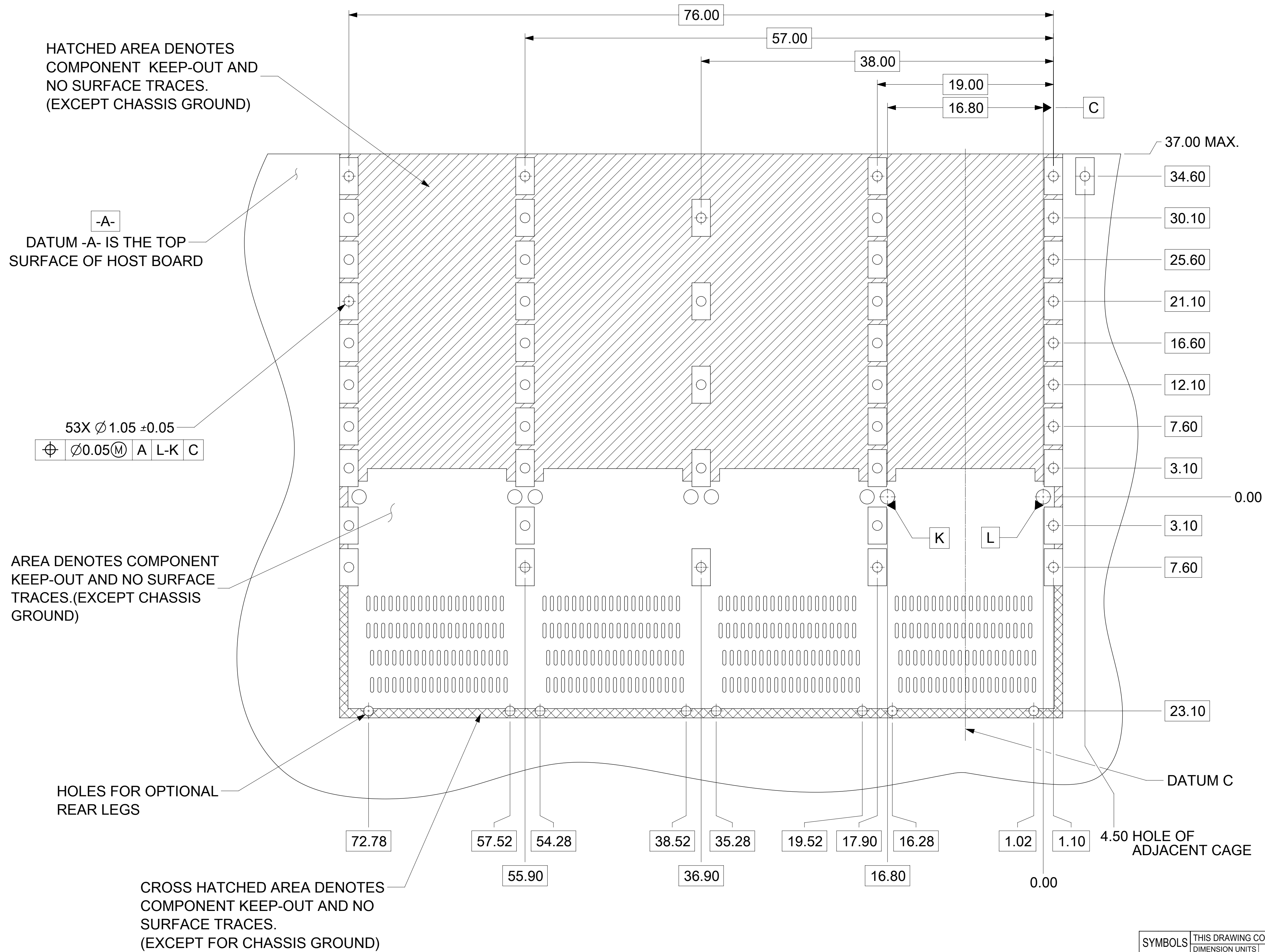
SYMBOLS	THIS DRAWING CONTAINS INFORMATION THAT IS PROPRIETARY TO MOLEX ELECTRONIC TECHNOLOGIES, LLC AND SHOULD NOT BE USED WITHOUT WRITTEN PERMISSION		
	DIMENSION UNITS	SCALE	CURRENT REV DESC: SEE REVISION TABLE
▽ = 0	mm	2:1	
▽ = 0	GENERAL TOLERANCES (UNLESS SPECIFIED)		
▽ = 0	ANGULAR TOL	± 2.0°	
▽ = 0	4 PLACES	±	EC NO: 629406
▽ = 0	3 PLACES	±	DRWN: JYEN01 2019/12/13
▽ = 0	2 PLACES	± 0.13	CHK'D: SCHIEN 2019/12/20
▽ = 0	1 PLACE	± 0.25	APPR: JCHIANG 2019/12/20
▽ = 0	0 PLACES	±	INITIAL REVISION:
▽ = 0	DRAFT WHERE APPLICABLE MUST REMAIN WITHIN DIMENSIONS		
▽ = 0	THIRD ANGLE PROJECTION	DRAWING	SERIES
		D-SIZE	203370
DOCUMENT STATUS		P1	RELEASE DATE
2019/12/20		10:48:50	
DOCUMENT NUMBER		DOC TYPE	DOC PART
2033701201		PSD	ASY
MATERIAL NUMBER		CUSTOMER	SHEET NUMBER
SEE P/N TABLE		GENERAL MARKET	4 OF 7

molex

QSFP-DD 1X4 GANGED CAGE ASSY
SF WITH FIN H/S OPTIONS

PRODUCT CUSTOMER DRAWING

PCB LAYOUT FOR BELLY TO BELLY MOUNTING



- NOTES:
- PADS AND VIAS GO TO CHASSIS GROUND. (RECOMMENDED PADS TO BE 2.00mm X 4.00mm RETANGLE.)
 - RECOMMENDED THRU HOLE PLATING INCLUDES HASL, OSP, OR IMMERSION (GOLD, SILVER, OR TIN).
 - CONNECTOR PAD LAYOUT PER QSFP-DD WILL ACCOMODATE MOLEX CONNECTOR SERRIES 202718.

SYMBOLS				THIS DRAWING CONTAINS INFORMATION THAT IS PROPRIETARY TO MOLEX ELECTRONIC TECHNOLOGIES, LLC AND SHOULD NOT BE USED WITHOUT WRITTEN PERMISSION			
$\nabla = 0$	DIMENSION UNITS	SCALE	CURRENT REV DESC: SEE REVISION TABLE				
$\nabla = 0$	mm	3:1					
$\nabla = 0$	GENERAL TOLERANCES (UNLESS SPECIFIED)						
$\nabla = 0$	ANGULAR TOL	$\pm 2.0^\circ$					
$\nabla = 0$	4 PLACES	\pm	EC NO: 629406				
$\nabla = 0$	3 PLACES	\pm	DRWN: JYEN01 2019/12/13				
$\nabla = 0$	2 PLACES	± 0.13	CHK'D: SCHIEN 2019/12/20				
$\nabla = 0$	1 PLACE	± 0.25	APPR: JCHIANG 2019/12/20				
$\nabla = 0$	0 PLACES	\pm	INITIAL REVISION:				
$\square = 0$	DRAFT WHERE APPLICABLE MUST REMAIN WITHIN DIMENSIONS		DRWN: MKEMPEGOWDA 2017/07/21				
$\nabla = 0$	THIRD ANGLE PROJECTION		APPR: RCHEN08 2017/08/15				
	DRAWING	SERIES	DOCUMENT NUMBER				
	D-SIZE	203370	2033701201				
	MATERIAL NUMBER		CUSTOMER		SHEET NUMBER		
	SEE P/N TABLE		GENERAL MARKET		5 OF 7		

molex

QSFP-DD 1X4 GANGED CAGE ASSY
SF WITH FIN H/S OPTIONS

PRODUCT CUSTOMER DRAWING

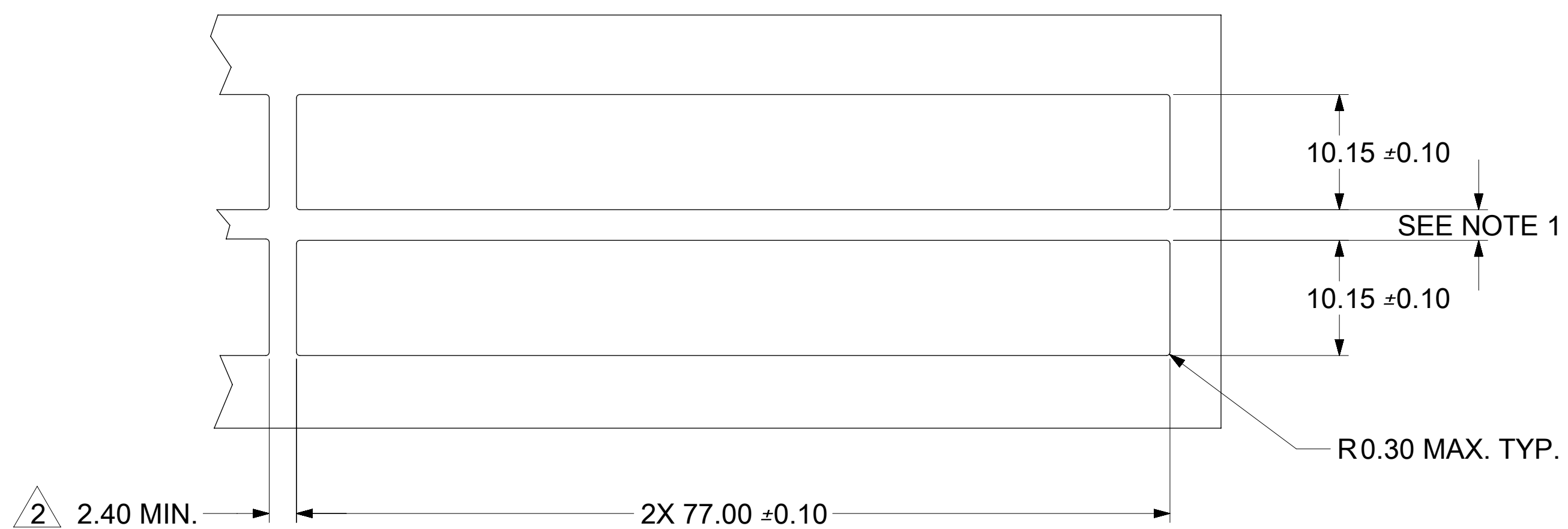
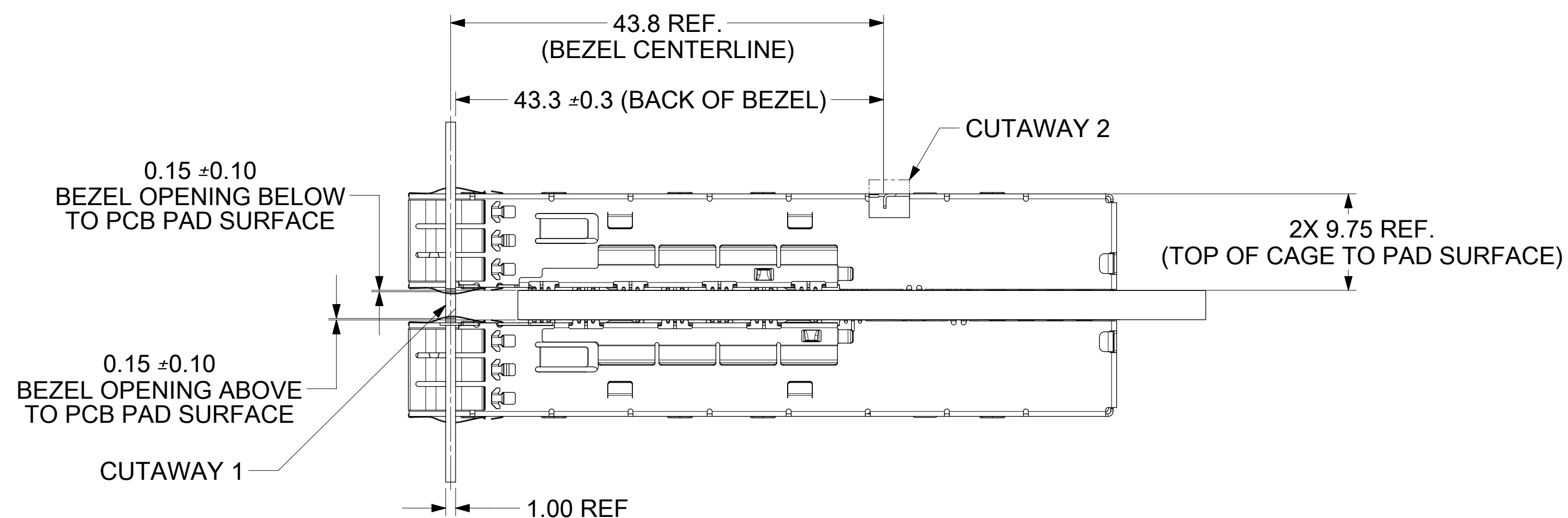
DOCUMENT NUMBER DOC TYPE DOC PART REVISION

2033701201 PSD ASY D3

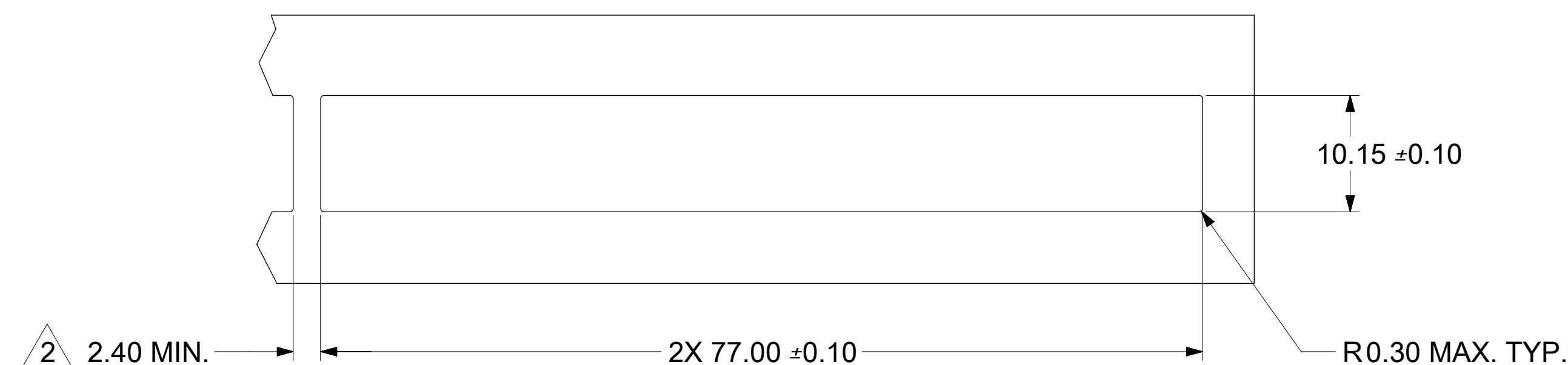
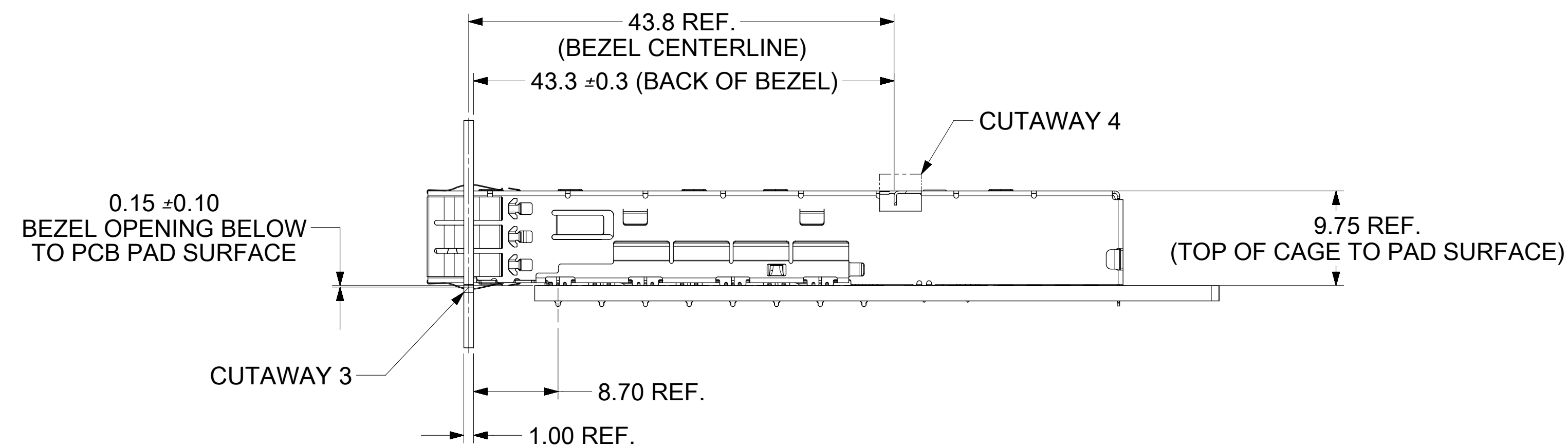
MATERIAL NUMBER CUSTOMER SHEET NUMBER

SEE P/N TABLE GENERAL MARKET 5 OF 7

BEZEL AND BOARD POSITION DIMENSIONS FOR BELLY TO BELLY MOUNTING



BEZEL AND BOARD POSITION DIMENSIONS FOR SINGLE SIDE MOUNTING



NOTE:
 1. PCB THICKNESS VARIATION MUST BE CONSIDERED WHEN DETERMINING BEZEL OPENING LOCATION.
 2. THIS DIMENSION IS FOR REFERENCE ONLY. USER CAN MODIFY IT DEPENDS ON APPLICATION. (THIS DIMENSION VARIES BASED ON DISTANCE OF "HOLE OF ADJACENT CAGE" ON PCB LAYOUT.)

SYMBOLS	THIS DRAWING CONTAINS INFORMATION THAT IS PROPRIETARY TO MOLEX ELECTRONIC TECHNOLOGIES, LLC AND SHOULD NOT BE USED WITHOUT WRITTEN PERMISSION		
	DIMENSION UNITS	SCALE	CURRENT REV DESC: SEE REVISION TABLE
▽ = 0	mm	2.5:1	
▽ = 0	GENERAL TOLERANCES (UNLESS SPECIFIED)		
▽ = 0	ANGULAR TOL	± 2.0°	
▽ = 0	4 PLACES	±	EC NO: 629406
▽ = 0	3 PLACES	±	DRWN: JYEN01 2019/12/13
▽ = 0	2 PLACES	± 0.13	CHK'D: SCHIEN 2019/12/20
▽ = 0	1 PLACE	± 0.25	APPR: JCHIANG 2019/12/20
▽ = 0	0 PLACES	±	INITIAL REVISION:
▽ = 0	DRAFT WHERE APPLICABLE MUST REMAIN WITHIN DIMENSIONS		
▽ = 0	THIRD ANGLE PROJECTION	DRAWING	SERIES
		D-SIZE	203370
DOCUMENT NUMBER		CUSTOMER	SHEET NUMBER
2033701201		GENERAL MARKET	6 OF 7
DOC TYPE		DOC PART	REVISION
PSD		ASY	D3
MATERIAL NUMBER		CUSTOMER	
SEE P/N TABLE			

molex

QSFP-DD 1X4 GANGED CAGE ASSY
SF WITH FIN H/S OPTIONS

PRODUCT CUSTOMER DRAWING

DOCUMENT NUMBER DOC TYPE DOC PART REVISION

2033701201 PSD ASY D3

MATERIAL NUMBER CUSTOMER SHEET NUMBER

SEE P/N TABLE GENERAL MARKET 6 OF 7

REV	DATE	DESCRIPTION
A	2017/07/25	INITIAL RELEASE
A1	2017/08/25	SHEET 3: G11: UPDATED OPEN TOP ISO VIEW.
A2	2017/09/27	MODIFIED THE DOCUMENT TYPE FROM RSD TO SD
B	2017/11/06	SHEET 4: G18: AS PER THE QSFP-DD MSA TO CORRECTED TP TOLERANCE FROM 0.1 TO 0.05mm. J09: AS PER THE QSFP-DD MSA TO ADDED TP TOLERANCE AS 0.05mm AND CHANGED 1.55REF. TO 1.55±0.05mm. SHEET 5: C18: AS PER THE QSFP-DD MSA TO CORRECTED TP TOLERANCE FROM 0.1 TO 0.05mm.
C	2018/02/27	SHEET 1: K17: ADDED DIMENSION 76.85 REF. SHEET 2: D04: ADDED A BACK VIEW. SHEET 4: H18: ADDED "29X" INTO DIMENSION 1.05mm. J09: CHANGED "TYP." TO "8X" OF DIMENSION 1.55mm. K12: AS PER THE QSFP-DD MSA TO ADDED BASIC DIMENSION 16.80 AND DATUM C. H17: UPDATED TRUE POSITION DATUM FROM A, K AND L TO A, L-K AND C. SHEET 5: G17: CHANGED "TYP." TO "53X" OF DIMENSION 1.05mm. K09: AS PER THE QSFP-DD MSA TO ADDED BASIC DIMENSION 16.80 AND DATUM C. G17: UPDATED TRUE POSITION DATUM FROM A, K AND L TO A, L-K AND C
D	2019/05/02	OPEN TOP SERIES PRODUCT RELLOCATED TO DRAWING NUMBER 2033702201. SHEET 3(D16) & SHEET 4(B16) : UPDATE RECOMMEND PCB LAYOUT OF TRACE KEEP-OUT ZONE.
D1	2019/07/10	SHEET 3: ADDED NEW P/Ns(-2XXX, WITH RAISED BASE).
D2	2019/08/01	SHEET 3 : G5 : ADDED A COLUMN FOR TYPES OF HEAT SINK.
D3	2019/12/13	SHEET 6 : E2 & E12 : CHANGED R0.30 TYP. TO R0.30 MAX. TYP. SHEET 6 : H6 & H16 : CHANGED BEZEL THICKNESS FROM 1.60 REF. TO 1.00 REF. SHEET 6 : K6 & K16 : CHANGED FROM 43.0 ±0.3 TO 43.3 ±0.3 SHEET 6 : H6 : CHANGED FROM 8.40 REF. TO 8.70 REF.

SYMBOLS	THIS DRAWING CONTAINS INFORMATION THAT IS PROPRIETARY TO MOLEX ELECTRONIC TECHNOLOGIES, LLC AND SHOULD NOT BE USED WITHOUT WRITTEN PERMISSION																	
	DIMENSION UNITS		SCALE		CURRENT REV DESC: SEE REVISION TABLE													
	mm		1:1		<p style="text-align: center;">molex</p> <p style="text-align: center;">QSFP-DD 1X4 GANGED CAGE ASSY SF WITH FIN H/S OPTIONS</p> <p style="text-align: center;">PRODUCT CUSTOMER DRAWING</p> <table border="1" style="width: 100%;"> <tr> <td>DOCUMENT NUMBER</td> <td>DOC TYPE</td> <td>DOC PART</td> <td>REVISION</td> </tr> <tr> <td style="text-align: center;">2033701201</td> <td style="text-align: center;">PSD</td> <td style="text-align: center;">ASY</td> <td style="text-align: center;">D3</td> </tr> </table>						DOCUMENT NUMBER	DOC TYPE	DOC PART	REVISION	2033701201	PSD	ASY	D3
	DOCUMENT NUMBER	DOC TYPE	DOC PART	REVISION														
	2033701201	PSD	ASY	D3														
	GENERAL TOLERANCES (UNLESS SPECIFIED)										EC NO: 629406							
	ANGULAR TOL ± 2.0°										DRWN: JYEN01 2019/12/13							
	4 PLACES ±										CHK'D: SCHIEN 2019/12/20							
	3 PLACES ±										APPR: JCHIANG 2019/12/20							
	2 PLACES ± 0.13										INITIAL REVISION:							
1 PLACE ± 0.25				DRWN: MKEMPEGOWDA 2017/07/21														
0 PLACES ±				APPR: RCHEN08 2017/08/15														
DRAFT WHERE APPLICABLE MUST REMAIN WITHIN DIMENSIONS				THIRD ANGLE PROJECTION		DRAWING		SERIES		MATERIAL NUMBER		CUSTOMER		SHEET NUMBER				
						D-SIZE		203370		SEE P/N TABLE		GENERAL MARKET		7 OF 7				