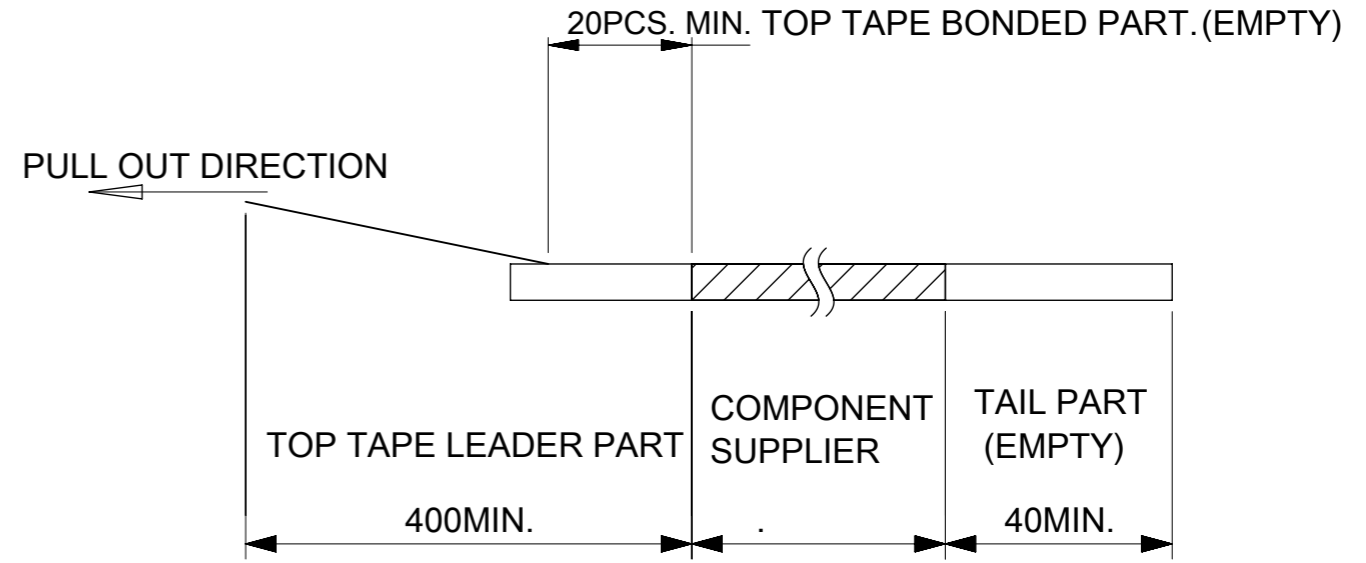


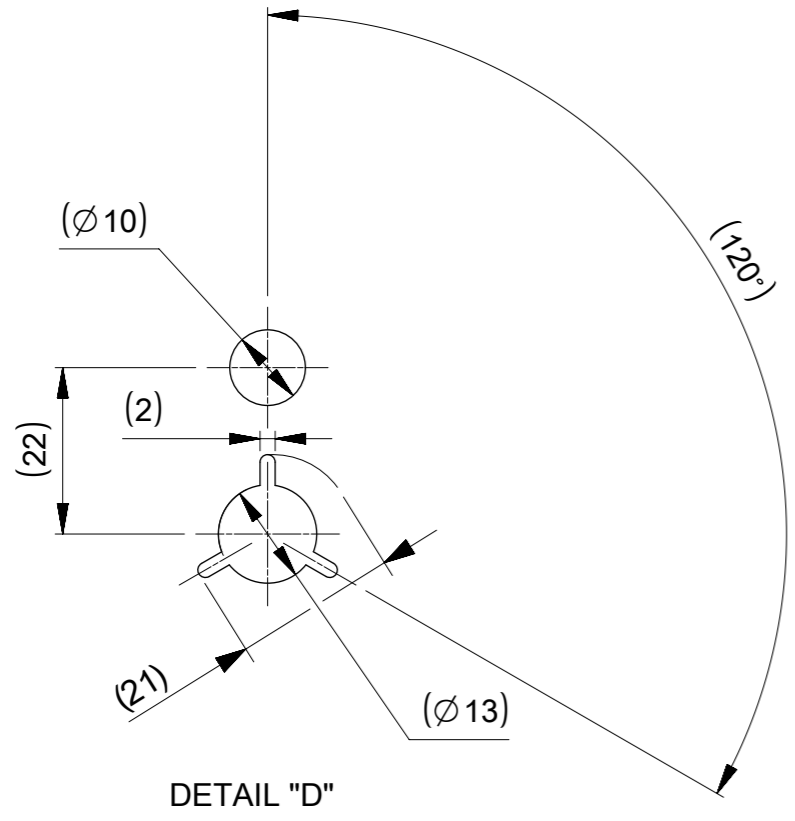
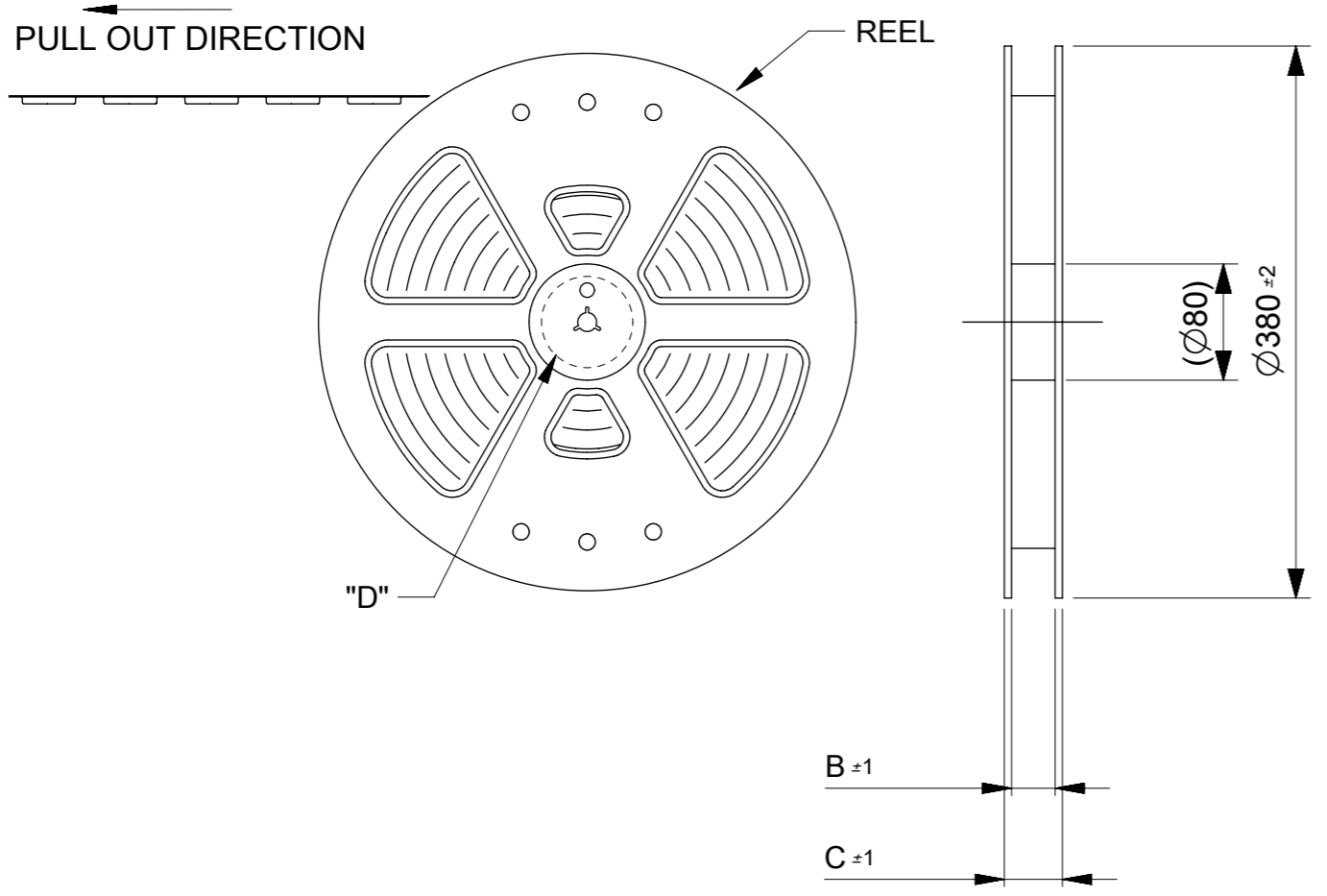
NOTES

1. RE DETAILED DIMENSION, SEE PRODUCT DRAWING.
2. NUMBER OF CONNECTORS : 2200 PCS/REEL.
3. LEAD TAPE LENGTH.



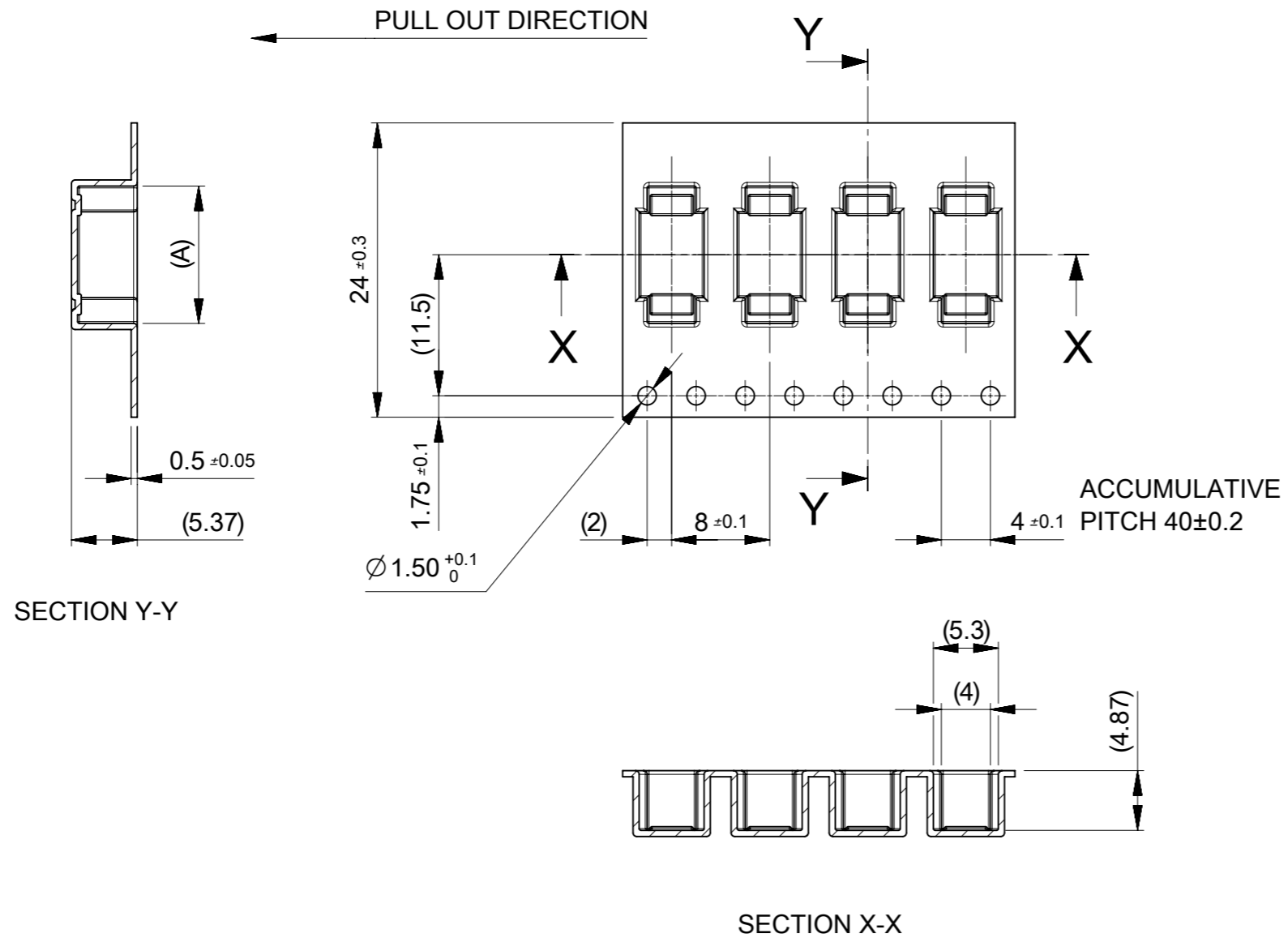
4. TOP TAPE PEEL FORCE IS DEFINED BY IEC60286-3
5. MATERIAL
CARRER TAPE :POLYSTYRENE
TOP TAPE :PET , OTHER
REEL :POLYSTYRENE(PS)(RECYCLE MATERIAL CONTAINED)
6. ELV AND RoHS COMPLIANT

PULL OUT DIRECTION



DETAIL "D"

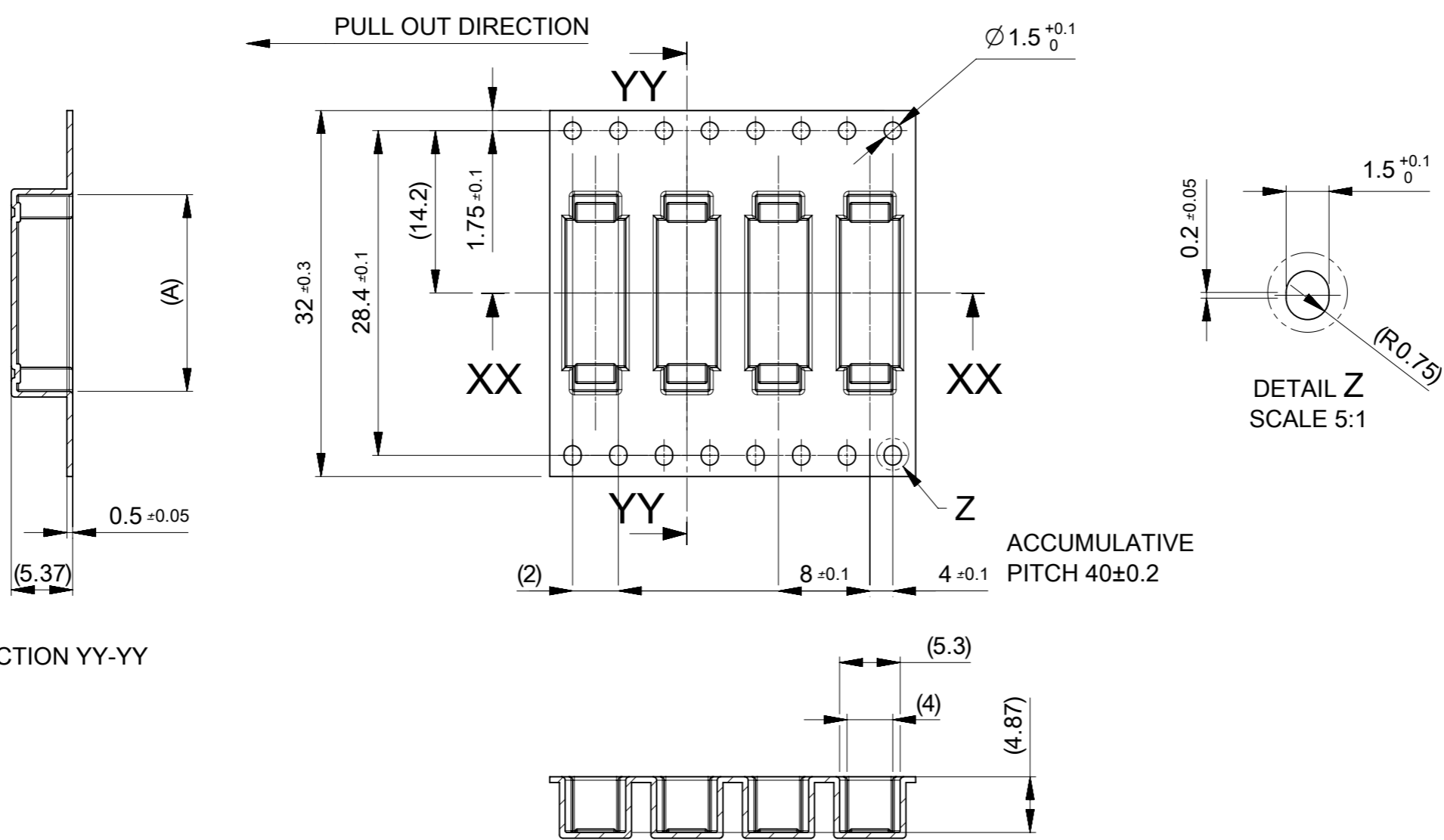
| | | | | | | | | | |
|---|-------|------------------------------|---------|--------|-----------------|----------|--|--------------|----------|
| THIS DRAWING CONTAINS INFORMATION THAT IS PROPRIETARY TO MOLEX ELECTRONIC TECHNOLOGIES, LLC AND SHOULD NOT BE USED WITHOUT WRITTEN PERMISSION | | | | | | | | | |
| DIMENSION UNITS | SCALE | CURRENT REV DESC: | | | | | molex | | |
| mm | 2:1 | | | | | | | | |
| GENERAL TOLERANCES (UNLESS SPECIFIED) | | EC NO: 623405 | | | | | 0.4 FLOATING BB H=5 PLUG EMBOSSTP PKG. | | |
| ANGULAR TOL | ± ° | DRWN: JFURUKAWA 2019/09/02 | | | | | PRODUCT CUSTOMER DRAWING | | |
| 4 PLACES | ± | CHK'D: YNAITO 2019/09/18 | | | | | DOCUMENT NUMBER | | |
| 3 PLACES | ± | APPR: RTAKEUCHI 2019/09/18 | | | | | 2039560000 | | |
| 2 PLACES | ± | INITIAL REVISION: | | | | | DOC TYPE | DOC PART | REVISION |
| 1 PLACE | ± | DRWN: STERUKI 2018/05/01 | | | | | PSD | 001 | B |
| 0 PLACES | ± | APPR: TKUSUHARA01 2018/06/22 | | | | | SHEET NUMBER | | |
| DRAFT WHERE APPLICABLE MUST REMAIN WITHIN DIMENSIONS | | THIRD ANGLE PROJECTION | DRAWING | SERIES | MATERIAL NUMBER | CUSTOMER | | SHEET NUMBER | |
| | | | A3-SIZE | 203956 | SEE CHART | GENERAL | | 1 OF 3 | |



| | | | | | | | |
|--------------------------------|------|------|------|--------------|--------------------|---------------|---------|
| 24 | 29.4 | 25.4 | 15.2 | 2039560501 | ○ | --- | 50 |
| | | | 13.2 | 2039560401 | ○ | --- | 40 |
| | | | 11.2 | 2039560301 | ○ | --- | 30 |
| | | | 9.2 | 2039560201 | ○ | --- | 20 |
| キャリアテープ幅 CARRIER TAPE WIDTH | C | B | (A) | MATERIAL No. | HIGH VOL. TOOL | LOW VOL. TOOL | CIRCUIT |
| | | | | | SAMPLE PREPARATION | | |

THIS DRAWING CONTAINS INFORMATION THAT IS PROPRIETARY TO MOLEX ELECTRONIC TECHNOLOGIES, LLC AND SHOULD NOT BE USED WITHOUT WRITTEN PERMISSION

| | | | | | | | |
|--|------------------------|------------------------------|--------|-----------------|--------------------------|--------------|----------|
| DIMENSION UNITS mm | SCALE 1:1 | CURRENT REV DESC: | | | molex | | |
| GENERAL TOLERANCES (UNLESS SPECIFIED) | | EC NO: 623405 | | | | | |
| ANGULAR TOL ± ° | | DRWN: JFURUKAWA 2019/09/02 | | | PRODUCT CUSTOMER DRAWING | | |
| 4 PLACES ± | | CHK'D: YNAITO 2019/09/18 | | | DOCUMENT NUMBER | | |
| 3 PLACES ± | | APPR: RTAKEUCHI 2019/09/18 | | | 2039560000 | | |
| 2 PLACES ± | | INITIAL REVISION: | | | DOC TYPE | DOC PART | REVISION |
| 1 PLACE ± | | DRWN: STERUKI 2018/05/01 | | | PSD | 001 | B |
| 0 PLACES ± | | APPR: TKUSUHARA01 2018/06/22 | | | SHEET NUMBER | | |
| DRAFT WHERE APPLICABLE MUST REMAIN WITHIN DIMENSIONS | THIRD ANGLE PROJECTION | DRAWING | SERIES | MATERIAL NUMBER | CUSTOMER | SHEET NUMBER | |
| | | A3-SIZE | 203956 | SEE CHART | GENERAL | 2 OF 3 | |



SECTION YY-YY

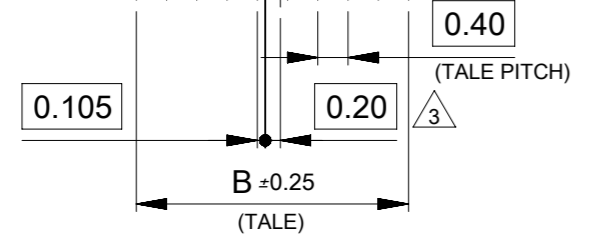
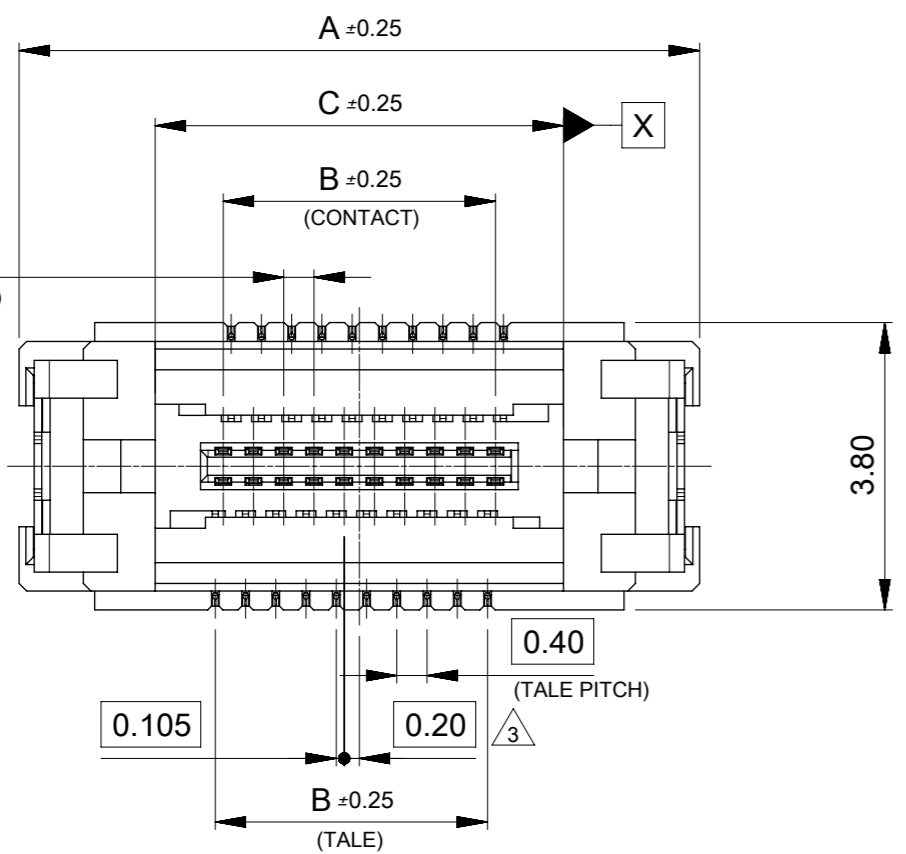
SECTION XX-XX

| | | | | | | | |
|--------------------------------|------|------|------|--------------|--------------------|---------------|---------|
| 32 | 37.4 | 33.4 | 17.2 | 2039560601 | ○ | --- | 60 |
| キャリアテープ幅 CARRIER TAPE WIDTH | C | B | (A) | MATERIAL No. | HIGH VOL. TOOL | LOW VOL. TOOL | CIRCUIT |
| | | | | | SAMPLE PREPARATION | | |

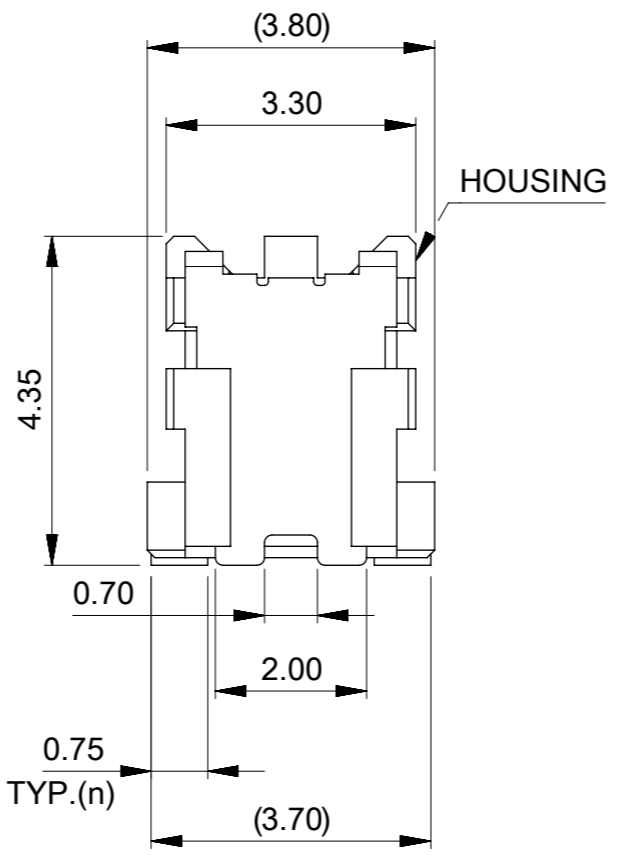
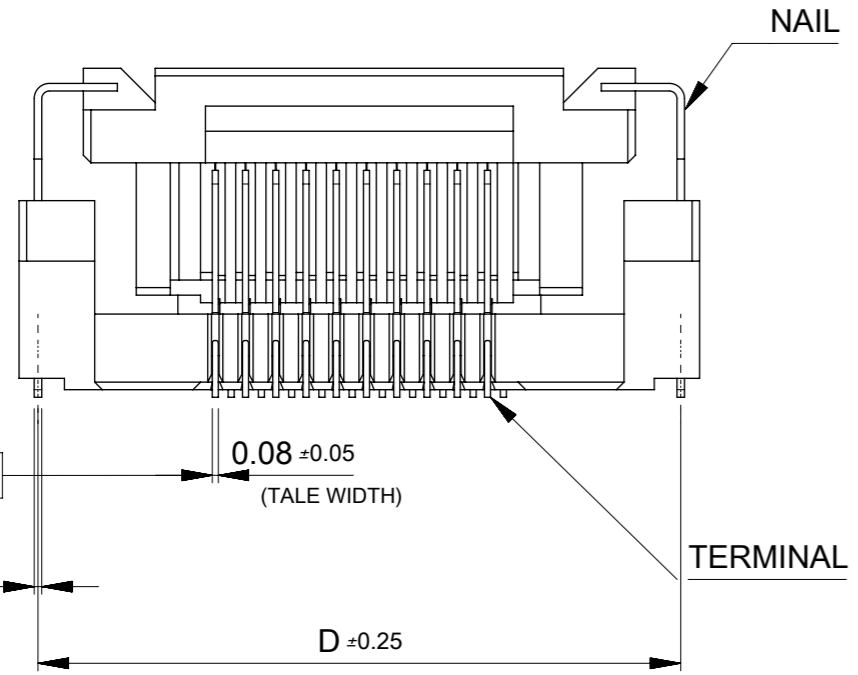
THIS DRAWING CONTAINS INFORMATION THAT IS PROPRIETARY TO MOLEX ELECTRONIC TECHNOLOGIES, LLC AND SHOULD NOT BE USED WITHOUT WRITTEN PERMISSION

| | | | | | | |
|--|------------------------|------------------------------|--------|--------------------------|----------|--------------|
| DIMENSION UNITS mm | SCALE 2:1 | CURRENT REV DESC: | | molex | | |
| GENERAL TOLERANCES (UNLESS SPECIFIED) | | EC NO: 623405 | | | | |
| ANGULAR TOL ± ° | | DRWN: JFURUKAWA 2019/09/02 | | PRODUCT CUSTOMER DRAWING | | |
| 4 PLACES ± | | CHK'D: YNAITO 2019/09/18 | | DOCUMENT NUMBER | | |
| 3 PLACES ± | | APPR: RTAKEUCHI 2019/09/18 | | 2039560000 | | DOC TYPE |
| 2 PLACES ± | | INITIAL REVISION: | | PSD | DOC PART | REVISION |
| 1 PLACE ± | | DRWN: STERUKI 2018/05/01 | | 001 | | B |
| 0 PLACES ± | | APPR: TKUSUHARA01 2018/06/22 | | | | |
| DRAFT WHERE APPLICABLE MUST REMAIN WITHIN DIMENSIONS | THIRD ANGLE PROJECTION | DRAWING | SERIES | MATERIAL NUMBER | CUSTOMER | SHEET NUMBER |
| | | A3-SIZE | 203956 | SEE CHART | GENERAL | 3 OF 3 |

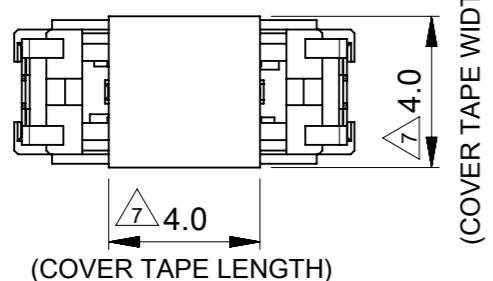
0.4 ±0.1
(CONTACT PITCH)



0.15 X
0.10 ±0.05
(NAIL WIDTH)



COVER TAPE LAYOUT



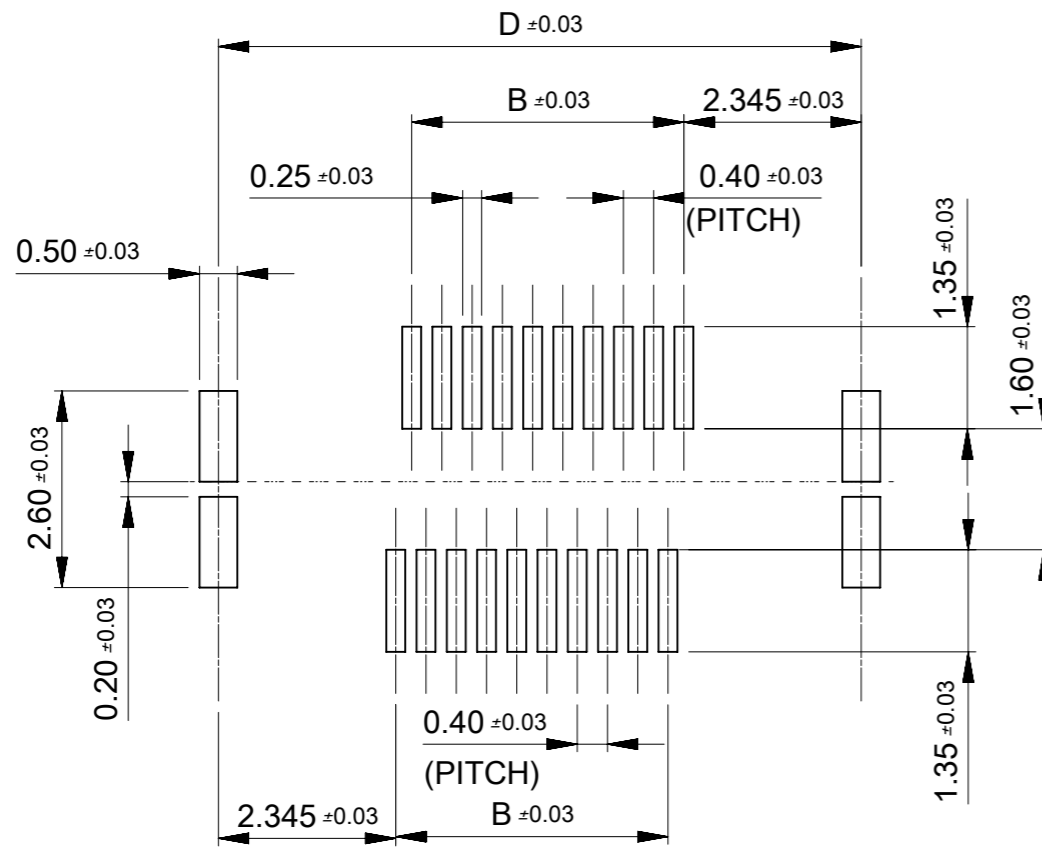
- 1 MATERIAL
 WAFER: LIQUID CRYSTAL POLYMER UL94V-0 (COLOR : BLACK)
 TERMINAL: COPPER ALLOY
 FITTING NAIL: COPPER ALLOY
 COVER TAPE: POLYIMIDE
- 2 PLATING
 TERMINAL :
 CONTACT AREA: GOLD PLATING.
 SOLDER TAIL AREA: GOLD PLATING.
 UNDERPLATE: NICKEL OVERALL.
 FITTING NAIL:
 SURFACE: TIN OVERALL
 UNDERPLATE: NICKEL OVERALL.
- △ 3 APPLY FOR (CIRCUIT/2)=EVEN.
- 4 MATE WITH :203955****
- 5 TAIL COPLANARITY TO BE 0.1 MAXIMUM.
- 6 ELV and RoHS COMPLIANT.
- △ 7 ALL CIRCUIT IS COMMON LENGTH.

| | | | | | | | |
|------|------|------|----|-----------------------|---|---------------|---------|
| 16.5 | 13.4 | 11.6 | 17 | 2039560601 | ○ | --- | 60 |
| 14.5 | 11.4 | 9.6 | 15 | 2039560501 | ○ | --- | 50 |
| 12.5 | 9.4 | 7.6 | 13 | 2039560401 | ○ | --- | 40 |
| 10.5 | 7.4 | 5.6 | 11 | 2039560301 | ○ | △ | 30 |
| 8.5 | 5.4 | 3.6 | 9 | 2039560201 | ○ | --- | 20 |
| D | C | B | A | EMBOSSED TAPE PACKAGE | HIGH VOL. TOOL | LOW VOL. TOOL | CIRCUIT |
| | | | | ORDER NO. | SAMPLE PREPARATION ○ : TOOLED △ : WORK IN PROCESS ---: TOOLING TO BE CONFIRMED | | |

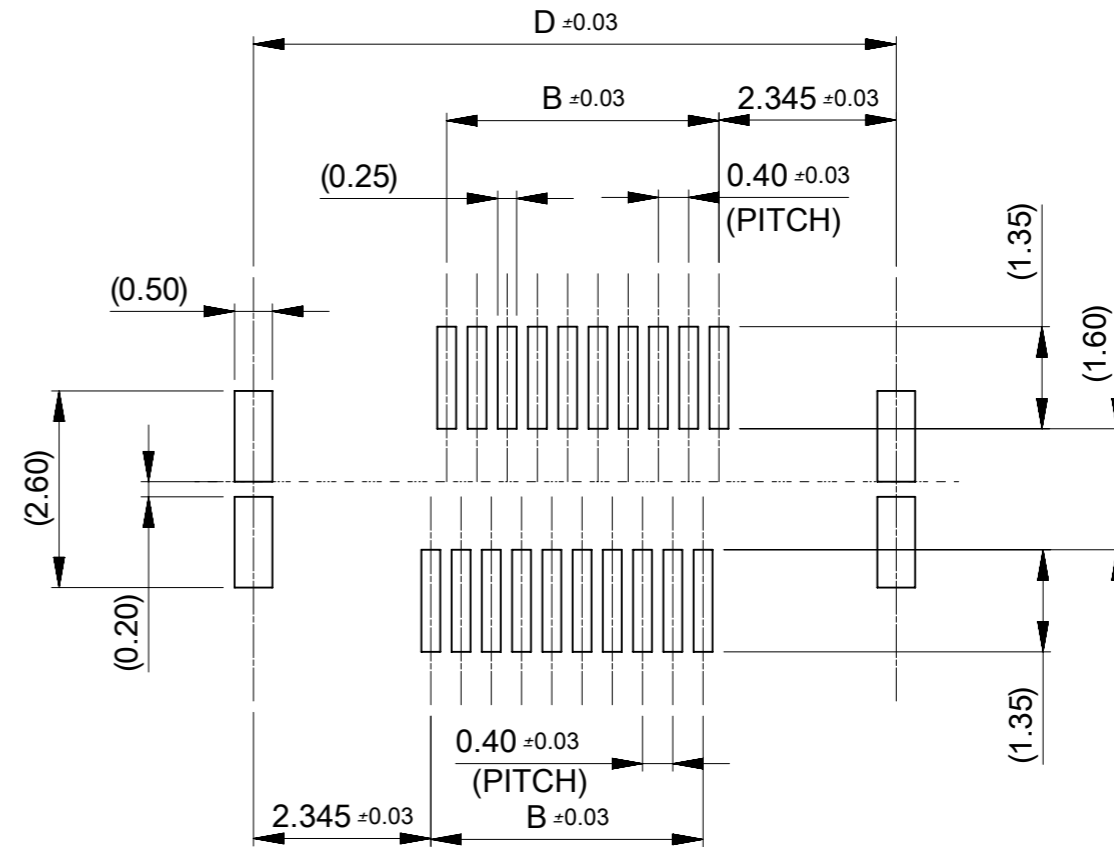
CONNECTOR SERIES NO. : 2039561**1

THIS DRAWING CONTAINS INFORMATION THAT IS PROPRIETARY TO MOLEX ELECTRONIC TECHNOLOGIES, LLC AND SHOULD NOT BE USED WITHOUT WRITTEN PERMISSION

| | | | | | |
|--|--------|----------------------------|------------|------------------------------------|-----------------|
| DIMENSION UNITS | SCALE | CURRENT REV DESC: RELEASED | | molex | |
| mm | 10:1 | | | | |
| GENERAL TOLERANCES (UNLESS SPECIFIED) | | EC NO: 613911 | | 0.4 FLOATING BB CONN.H=5 PLUG ASSY | |
| ANGULAR TOL | ± 1.0° | DRWN: STERUKI | 2019/03/18 | PRODUCT CUSTOMER DRAWING | |
| 4 PLACES | ± 0.2 | CHK'D: KSASAKI | 2019/03/18 | DOCUMENT NUMBER | |
| 3 PLACES | ± 0.2 | APPR: TKUSUHARA01 | 2019/03/18 | 2039561000 | |
| 2 PLACES | ± 0.2 | INITIAL REVISION: | | DOC TYPE | DOC PART |
| 1 PLACE | ± 0.2 | DRWN: STERUKI | 2018/06/19 | PSD | 000 |
| 0 PLACES | ± 0.2 | APPR: TKUSUHARA01 | 2018/06/22 | A3 | |
| DRAFT WHERE APPLICABLE MUST REMAIN WITHIN DIMENSIONS | | THIRD ANGLE PROJECTION | DRAWING | SERIES | MATERIAL NUMBER |
| | | ⊕ | A3-SIZE | 203956 | CUSTOMER |
| | | | | SEE CHART | GENERAL |
| | | | | SHEET NUMBER | |
| | | | | 1 OF 2 | |



RECOMMENDED P.W.BOARD PATTERN LAYOUT(REFERENCE)



RECOMMENDED METAL MASK LAYOUT(REFERENCE)

RECOMMENDED THICKNESS OF METAL MASK : t=0.1mm

RECOMMENDED OPEN APERTURE RATIO OF METAL MASK : 100%

| | | | | | | | | | |
|---|---------|------------------------------|--|---------|--------|-----------------|------------------------------------|----------|--------------|
| THIS DRAWING CONTAINS INFORMATION THAT IS PROPRIETARY TO MOLEX ELECTRONIC TECHNOLOGIES, LLC AND SHOULD NOT BE USED WITHOUT WRITTEN PERMISSION | | | | | | | | | |
| DIMENSION UNITS | SCALE | CURRENT REV DESC: RELEASED | | | | | molex | | |
| mm | 10:1 | | | | | | | | |
| GENERAL TOLERANCES (UNLESS SPECIFIED) | | | | | | | 0.4 FLOATING BB CONN.H=5 PLUG ASSY | | |
| ANGULAR TOL | ± 1.0 ° | EC NO: 613911 | | | | | PRODUCT CUSTOMER DRAWING | | |
| 4 PLACES | ± 0.2 | DRWN: STERUKI 2019/03/18 | | | | | DOCUMENT NUMBER | | |
| 3 PLACES | ± 0.2 | CHK'D: KSASAKI 2019/03/18 | | | | | 2039561000 | | |
| 2 PLACES | ± 0.2 | APPR: TKUSUHARA01 2019/03/18 | | | | | DOC TYPE | DOC PART | REVISION |
| 1 PLACE | ± 0.2 | INITIAL REVISION: | | | | | PSD | 000 | A3 |
| 0 PLACES | ± 0.2 | DRWN: STERUKI 2018/06/19 | | | | | | | |
| DRAFT WHERE APPLICABLE MUST REMAIN WITHIN DIMENSIONS | | THIRD ANGLE PROJECTION | | DRAWING | SERIES | MATERIAL NUMBER | CUSTOMER | | SHEET NUMBER |
| | | | | A3-SIZE | 203956 | SEE CHART | GENERAL | | 2 OF 2 |