

1. 製品名称／PRODUCT NAME : 0.4 FLOATING BB CONN. PLUG EMBOSSED TAPE PACKAGING
製品番号／PART NUMBER : 2039560**1

(**は極数を示す)

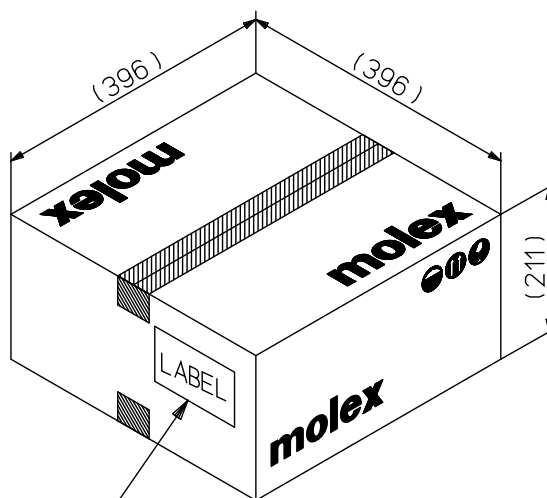
(** SHOWS CIRCUITS SIZE)

2. 標準梱包数／STANDARD PACKAGING QUANTITY

極数 CKT. SIZE	キャリア テープ幅 (mm) CARRIER TAPE WIDTH (mm)	1リール中の製品数 QTY. PER REEL	外装カートン SHIPPING CARTON	
			梱包リール数 NUMBER OF REELS	製品数 QUANTITY
20	24	2,200	6	13,200
30				
40				
50				
60	32	2,200	4	8,800

REV.	A								
SHEET	1~2								
REVISE ON PC ONLY			TITLE:						
A	RELEASED 177699 2018/06/06 N.NAVEEN		203956梱包仕様書 SALES PACKAGING SPEC. FOR 203956						
	THIS DOCUMENT CONTAINS INFORMATION THAT IS PROPRIETARY TO MOLEX ELECTRONIC TECHNOLOGIES, LLC AND SHOULD NOT BE USED WITHOUT WRITTEN PERMISSION								
REV.	DESCRIPTION								
DESIGN CONTROL J		STATUS	WRITTEN BY: NNIRUBURAJ	CHECKED BY: Y.AOYAGI	APPROVED BY: K.TAKETOMI	DATE: 2018/06/06			
DOCUMENT NUMBER 2039569200-SPK			DOC. TYPE PS	DOC. PART 200	CUSTOMER GENERAL			SHEET 1 OF 2	

3. カートン外形参考寸法 / CARTON OUTER DIMENSIONS (REFERENCE PURPOSE ONLY) 単位 / UNIT: mm



カートンラベル
CARTON LABEL

(製品型番, 数量, ロットNO. 表示)
INDICATION OF PART No., QUANTITY, LOT No.

標準カートン
STANDARD CARTON

REVISE ON PC ONLY		TITLE:			
A	SEE SHEET 1 OF 2	203956梱包仕様書 SALES PACKAGING SPEC. FOR 203956			
	REV.	DESCRIPTION	THIS DOCUMENT CONTAINS INFORMATION THAT IS PROPRIETARY TO MOLEX ELECTRONIC TECHNOLOGIES, LLC AND SHOULD NOT BE USED WITHOUT WRITTEN PERMISSION		
DOCUMENT NUMBER 2039569200-SPK		DOC. TYPE PS	DOC. PART 200	CUSTOMER GENERAL	SHEET 2 OF 2