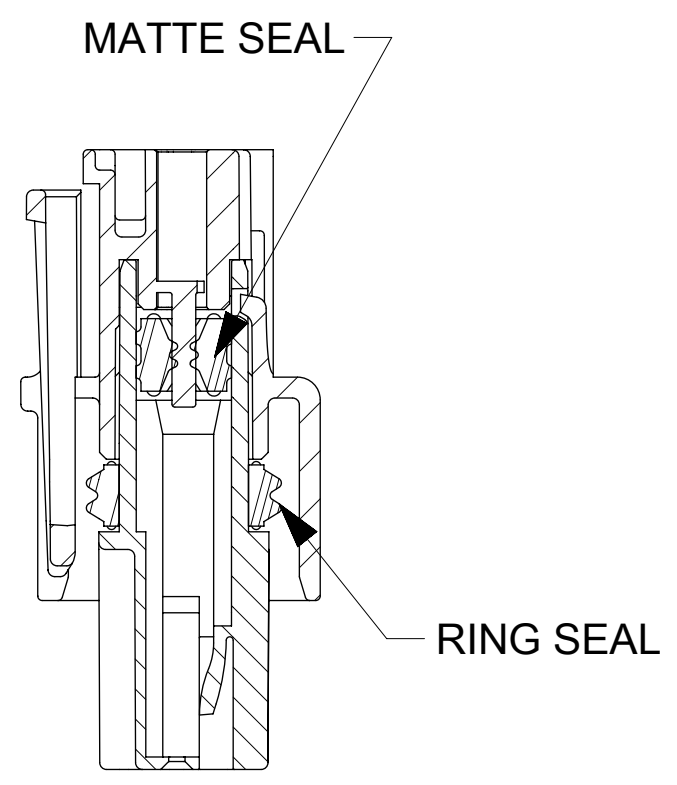
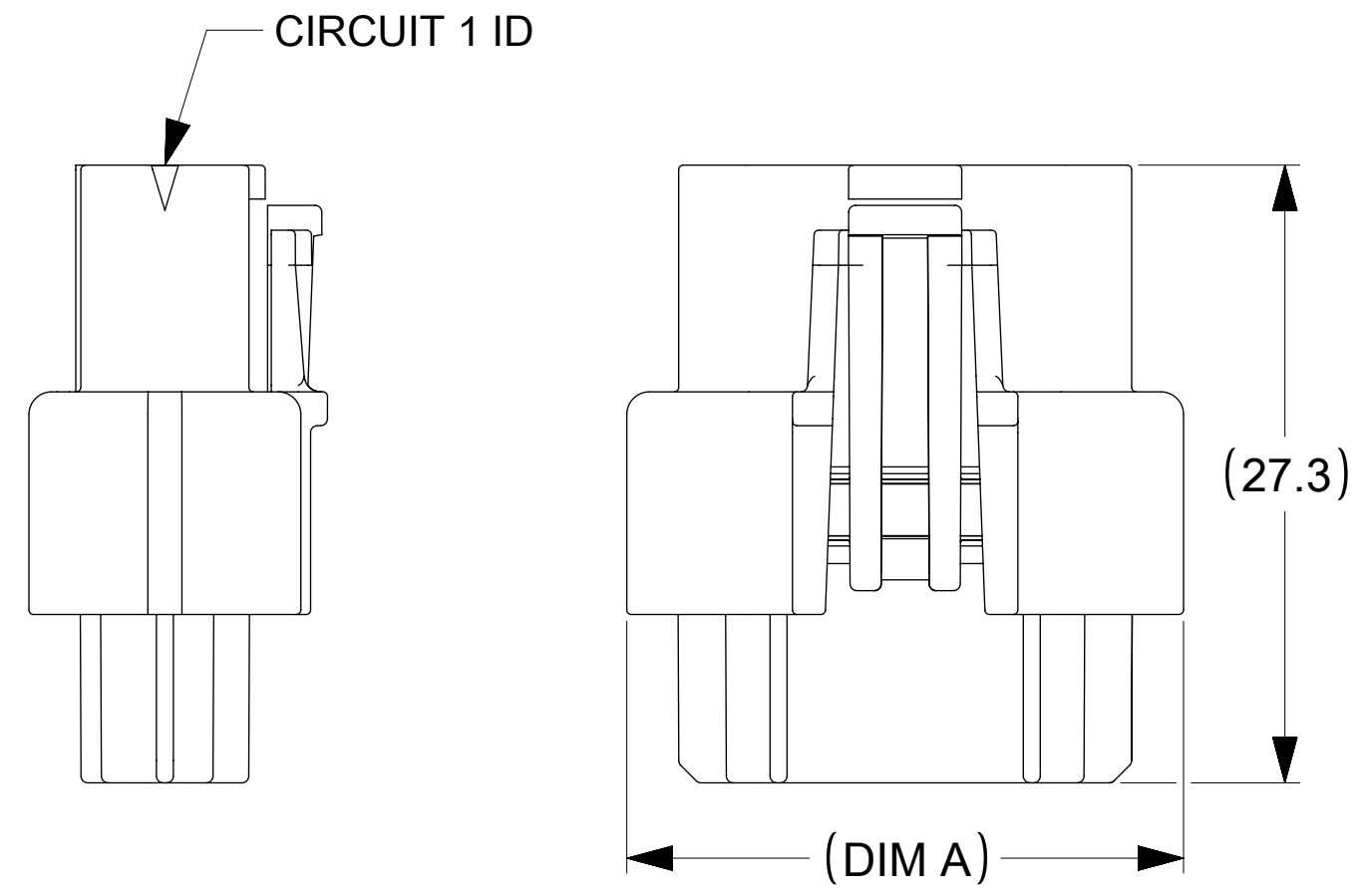
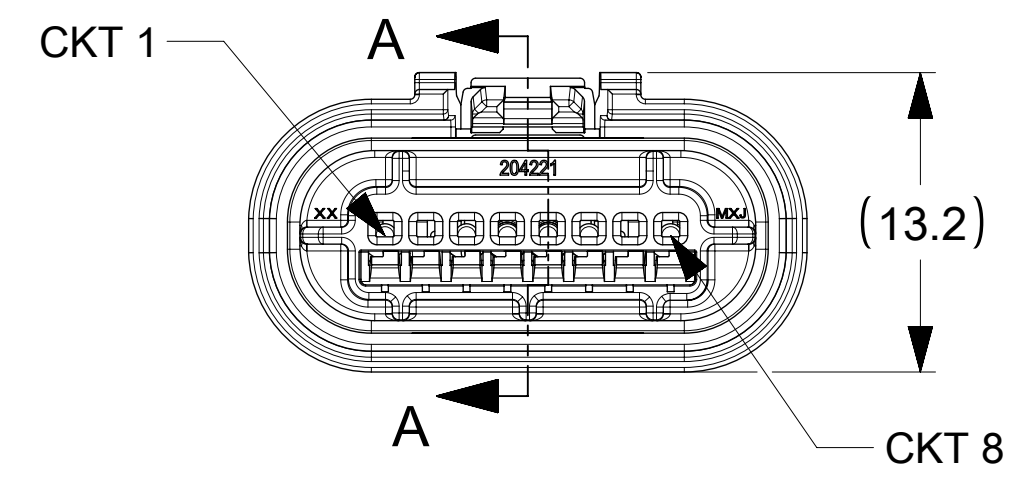


NOTES:

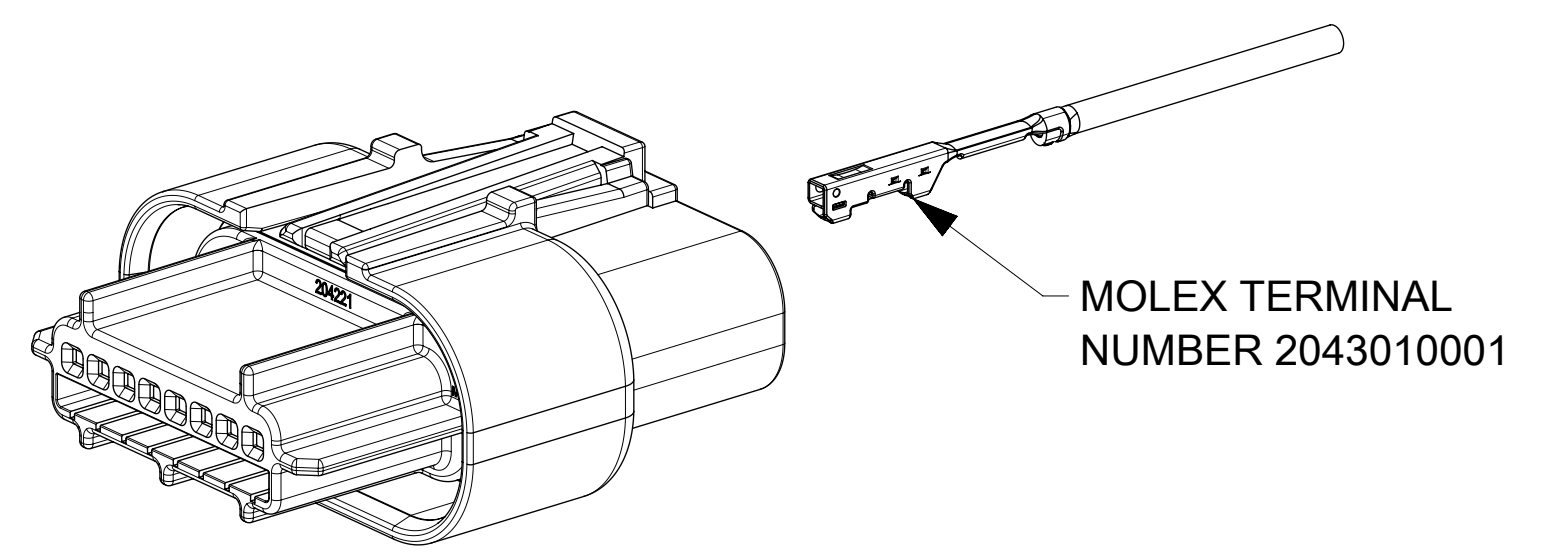
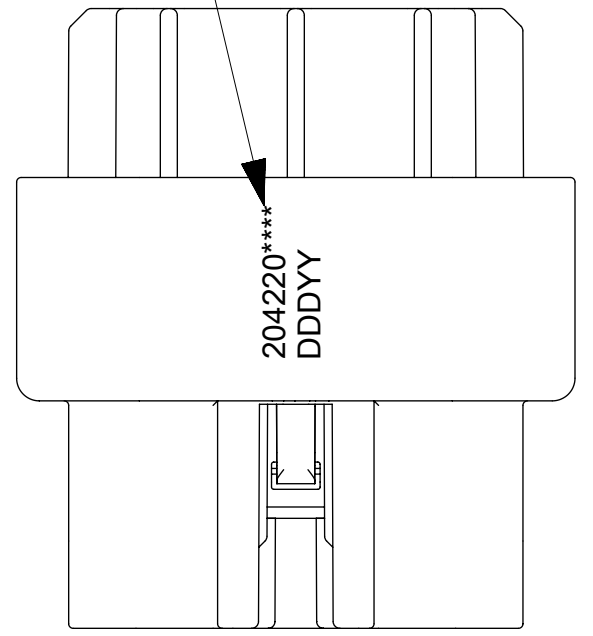
- 1. MATERIAL:
HOUSING & REAR SEAL CAP: NYLON, UL94V-0, COLOR: BLACK
SEALS: INHERENTLY LUBRICATED SILICONE
- 2. FINISH: NONE
- 3. PRODUCT SPECIFICATION: 2042200000-PS
- 4. APPLICATION SPECIFICATION: 2042200000-AS
- 5. PACKAGING SPECIFICATION: 2042200000-PK
- 6. PART MATES WITH PLUG SERIES 204223.
- 7. PART USES TERMINAL PART NUMBER 2043010001.
- 8. PART CONFORMS TO COSMETIC SPEC: PS-45499-002 CLASS C
- 9. VOIDED CIRCUITS HAVE A PLUG IN THE MATTE SEAL TO SEAL THE CIRCUIT AND WILL NOT ACCEPT TERMINALS.



SECTION A-A
TERMINAL SHOWN INSERTED
INTO HOUSING



LASER MARK THIS SURFACE
MOLEX PART NUMBER AND
JULIAN DATE CODE: DDDYY

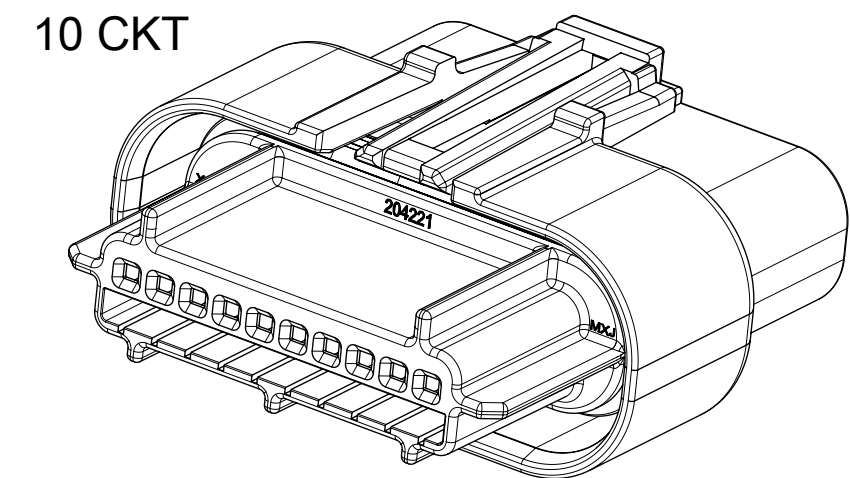
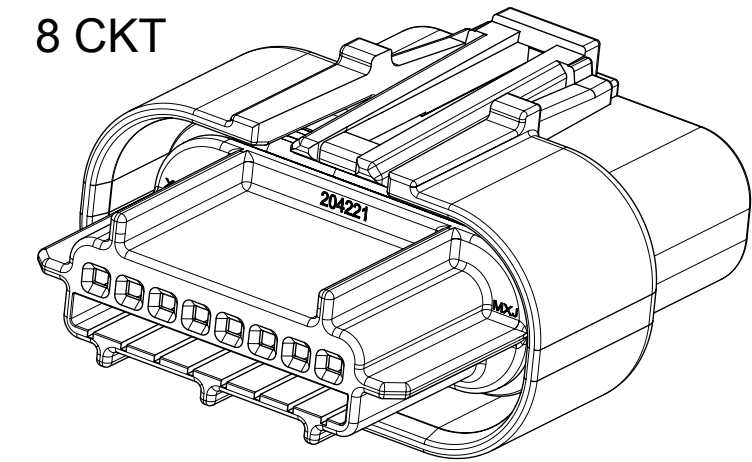
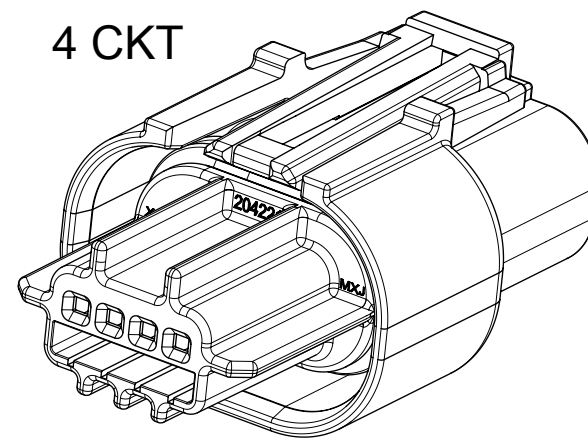
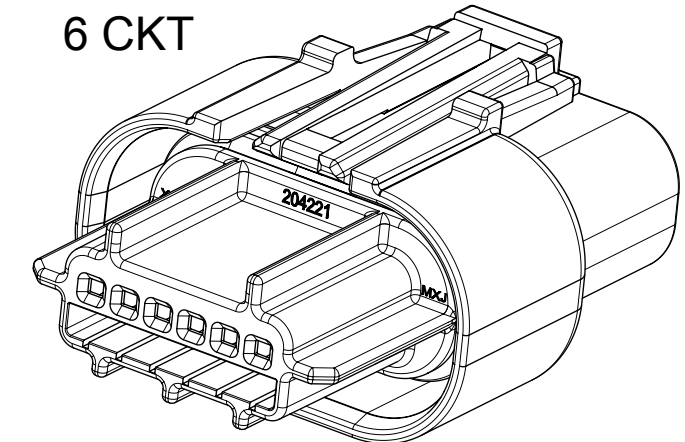
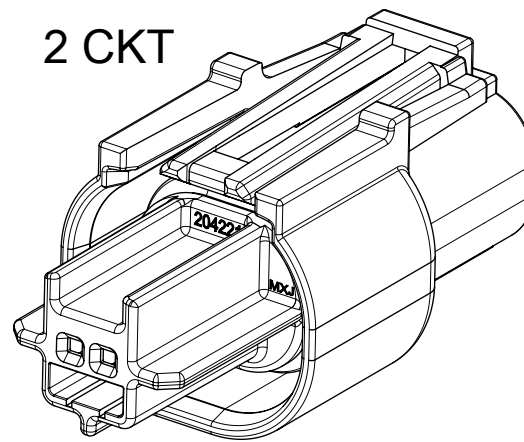


PRE-RELEASE
REFERENCE
USE ONLY

| CIRCUIT SIZE | DIM A |
|--------------|-------|
| 2 | 13.8 |
| 4 | 17.4 |
| 6 | 21.0 |
| 8 | 24.6 |
| 10 | 28.2 |

| | | | | | | | |
|---------|---------------------------------------|---|--|--|------------------------|-------------------------------|----------|
| SYMBOLS | | THIS DRAWING CONTAINS INFORMATION THAT IS PROPRIETARY TO MOLEX ELECTRONIC TECHNOLOGIES, LLC AND SHOULD NOT BE USED WITHOUT WRITTEN PERMISSION | | CURRENT REV DESC: ADD ALL CKTS VOIDED PN'S | | molex | |
| ▽ = 0 | mm | SCALE | 3:1 | EC NO: 631906 | | | |
| ▽ = 0 | GENERAL TOLERANCES (UNLESS SPECIFIED) | | DRWN: MKIPPER | | 2020/01/22 | RECEPTACLE ASSEMBLY SQUBA 1.8 | |
| ▽ = 0 | ANGULAR TOL ± ° | | CHK'D: DSTEIER | | 2020/02/14 | PRODUCT CUSTOMER DRAWING | |
| ▽ = 0 | 4 PLACES ± | | APPR: | | INITIAL REVISION: | | |
| ▽ = 0 | 3 PLACES ± | | DRWN: TGREGORI | | 2017/04/26 | DOCUMENT NUMBER | |
| ▽ = 0 | 2 PLACES ± 0.2 | | APPR: RHODGE | | 2018/01/26 | 2042200000-SD | |
| ▽ = 0 | 1 PLACE ± | | DRAFT WHERE APPLICABLE MUST REMAIN WITHIN DIMENSIONS | | THIRD ANGLE PROJECTION | DRAWING | SERIES |
| ▽ = 0 | 0 PLACES ± | | C-SIZE | | 204220 | MATERIAL NUMBER | CUSTOMER |
| ▽ = 0 | | | SEE CHART | | GENERAL MARKET | DOC TYPE DOC PART REVISION | |
| | | | | | | 1 OF 2 | |

| CIRCUIT SIZE | MATERIAL NUMBER | VOIDED CIRCUIT SEE NOTE 9 |
|--------------|-----------------|------------------------------|
| 2 | 204220-0002 | NONE |
| 4 | 204220-0004 | NONE |
| 6 | 204220-0006 | NONE |
| 8 | 204220-0008 | NONE |
| 10 | 204220-0010 | NONE |
| 2 | 204220-9902 | ALL CIRCUITS VOIDED |
| 4 | 204220-9904 | ALL CIRCUITS VOIDED |
| 6 | 204220-9906 | ALL CIRCUITS VOIDED |
| 8 | 204220-9908 | ALL CIRCUITS VOIDED |
| 10 | 204220-9910 | ALL CIRCUITS VOIDED |
| 4 | 204220-4004 | 4 |
| 6 | 204220-6006 | 6 |
| 8 | 204220-8008 | 8 |
| 10 | 204220-1110 | 10 |



AVAILABLE CIRCUIT SIZES

PRE-RELEASE
REFERENCE
USE ONLY

| | | | | | | | | | | | |
|---|--|--|--|-------|--|--|--|-------------------|--|--|--|
| THIS DRAWING CONTAINS INFORMATION THAT IS PROPRIETARY TO MOLEX ELECTRONIC TECHNOLOGIES, LLC AND SHOULD NOT BE USED WITHOUT WRITTEN PERMISSION | | | | | | | | | | | |
| SYMBOLS | | DIMENSION UNITS | | SCALE | | CURRENT REV DESC: ADD ALL CKTS VOIDED PN'S | | | | | |
| ▽ = 0 | | mm | | 3:1 | | molex RECEPTACLE ASSEMBLY SQUBA 1.8 PRODUCT CUSTOMER DRAWING | | | | | |
| ▽ = 0 | | GENERAL TOLERANCES (UNLESS SPECIFIED) | | | | | | | | | |
| ▽ = 0 | | ANGULAR TOL ± ° | | | | | | | | | |
| ▽ = 0 | | 4 PLACES ± | | | | | | | | | |
| ▽ = 0 | | 3 PLACES ± | | | | EC NO: 631906 | | 2020/01/22 | | DOCUMENT NUMBER 2042200000-SD DOC TYPE PSD DOC PART 000 REVISION A6 | |
| ▽ = 0 | | 2 PLACES ± 0.2 | | | | DRWN: MKIPPER | | 2020/02/14 | | | |
| ▽ = 0 | | 1 PLACE ± | | | | CHK'D: DSTEIER | | 2020/02/14 | | | |
| ▽ = 0 | | 0 PLACES ± | | | | APPR: | | INITIAL REVISION: | | MATERIAL NUMBER SEE CHART CUSTOMER GENERAL MARKET SHEET NUMBER 2 OF 2 | |
| ▽ = 0 | | DRAFT WHERE APPLICABLE MUST REMAIN WITHIN DIMENSIONS | | | | THIRD ANGLE PROJECTION | | DRAWING | | | |
| ▽ = 0 | | | | | | C-SIZE | | 204220 | | | |

| DOCUMENT STATUS | RV | RELEASE DATE |
|-----------------|----|--------------|
| | | |