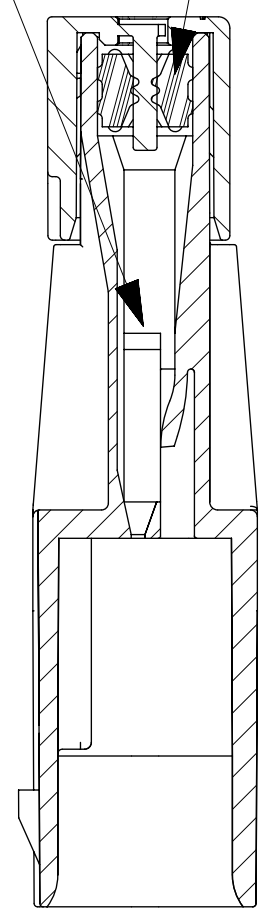


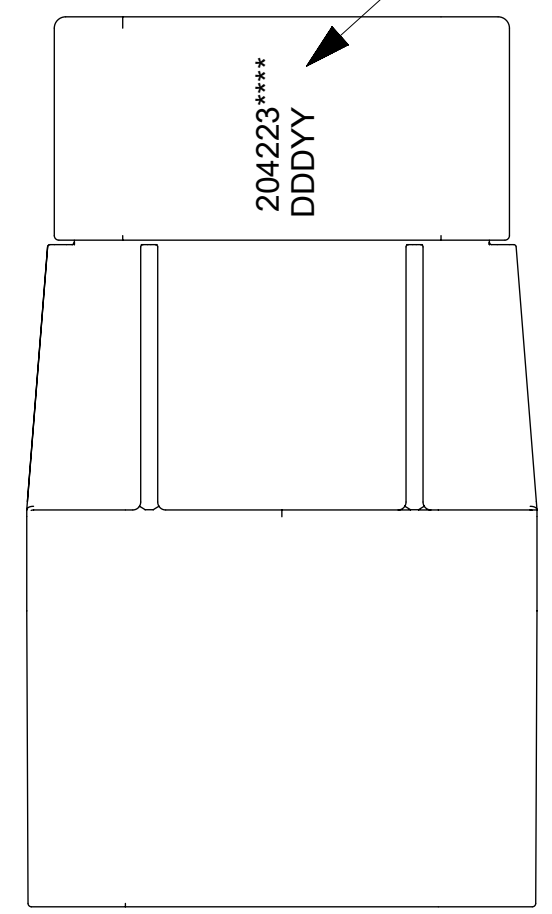
TERMINAL SHOWN INSERTED INTO HOUSING FOR REF ONLY

MATTE SEAL

LASER MARKED THIS SURFACE WITH MOLEX PART NUMBER AND JULIAN DATE CODE: DDDYY



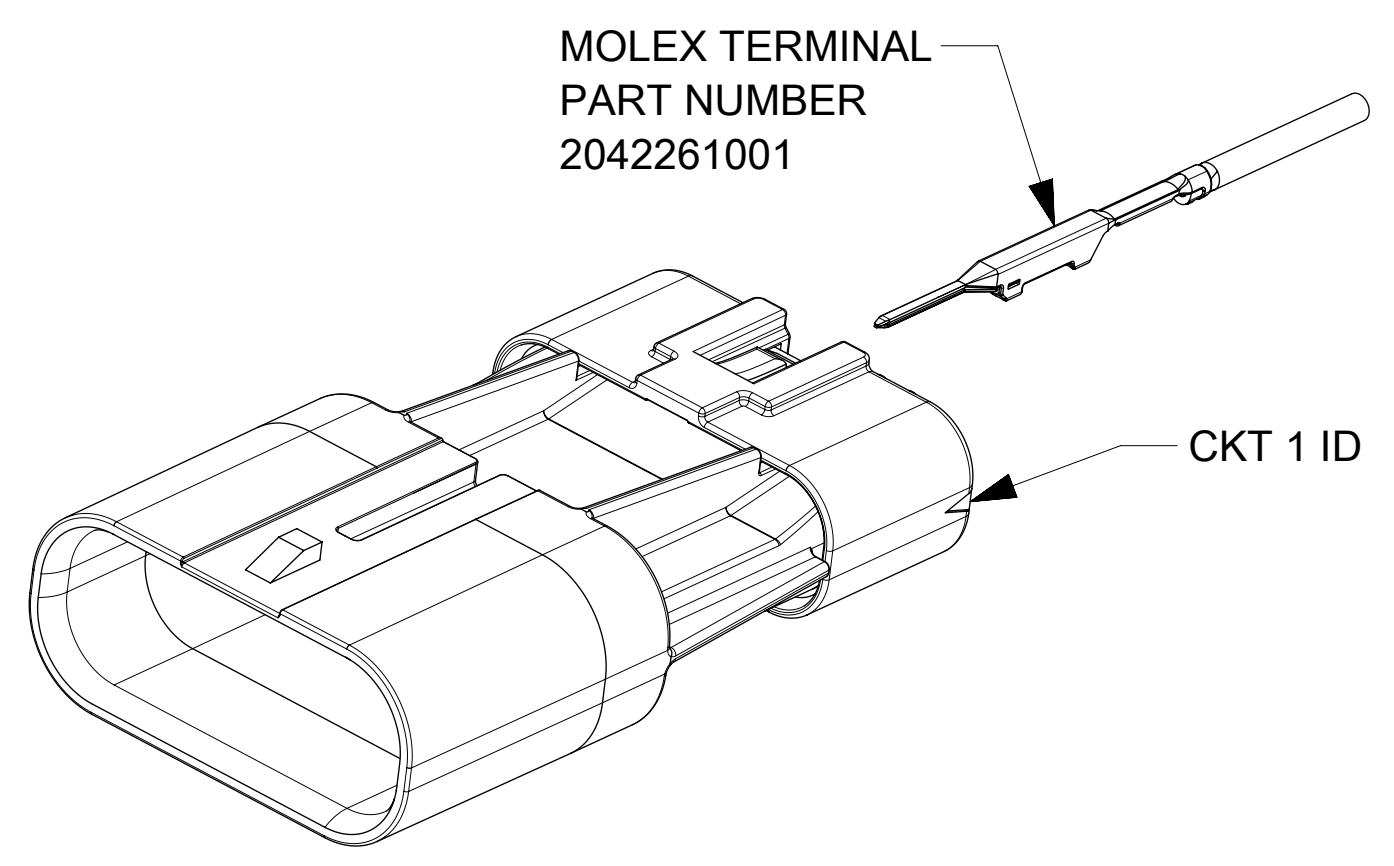
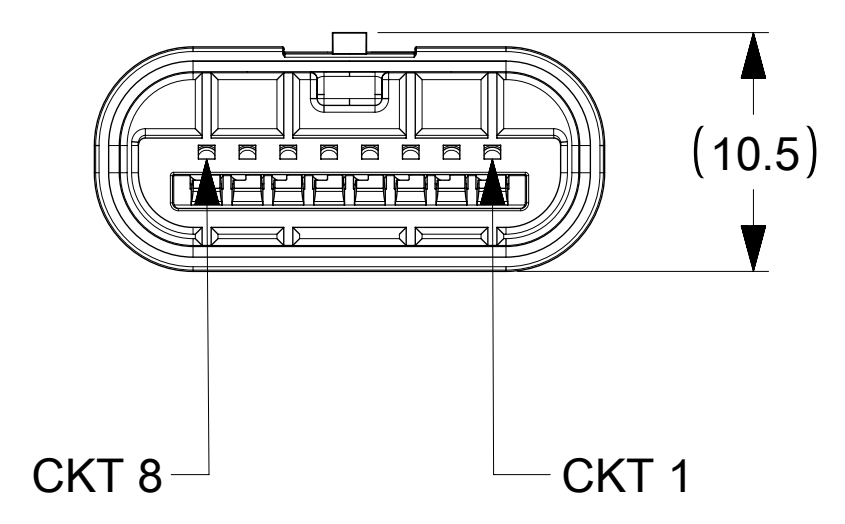
SECTION A-A



204223\*\*\*\*  
DDDDYY

NOTES:

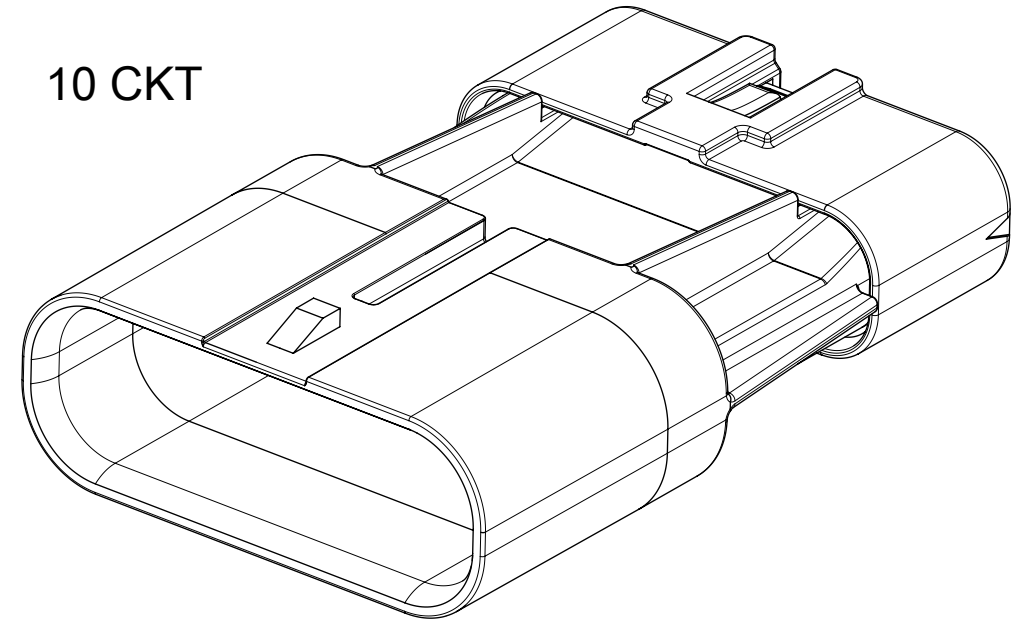
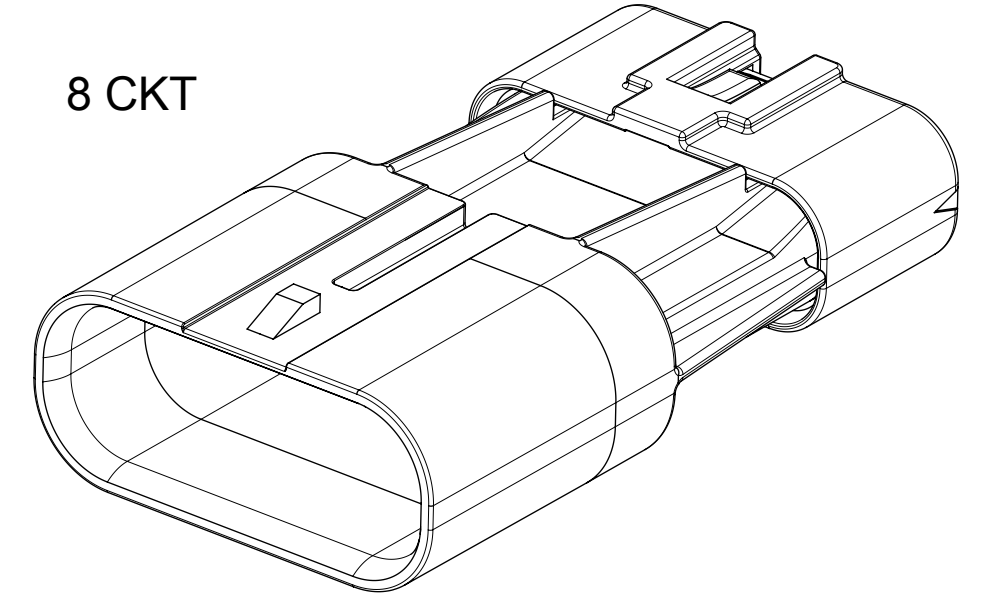
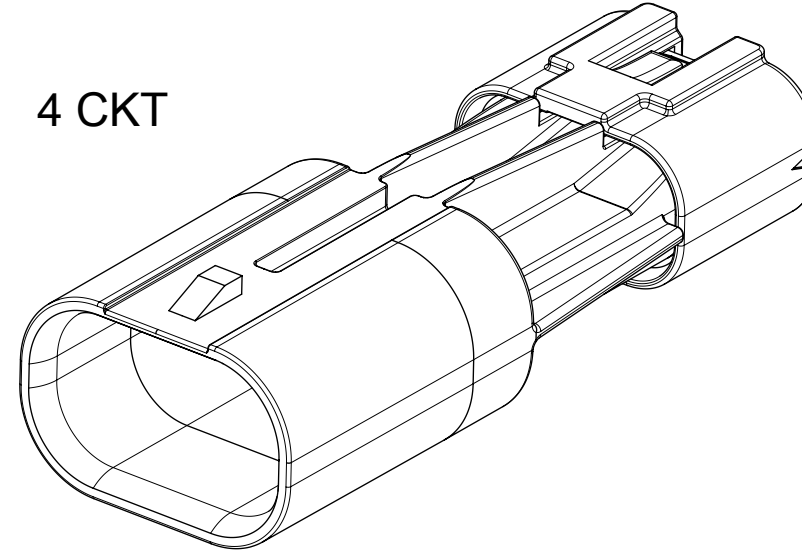
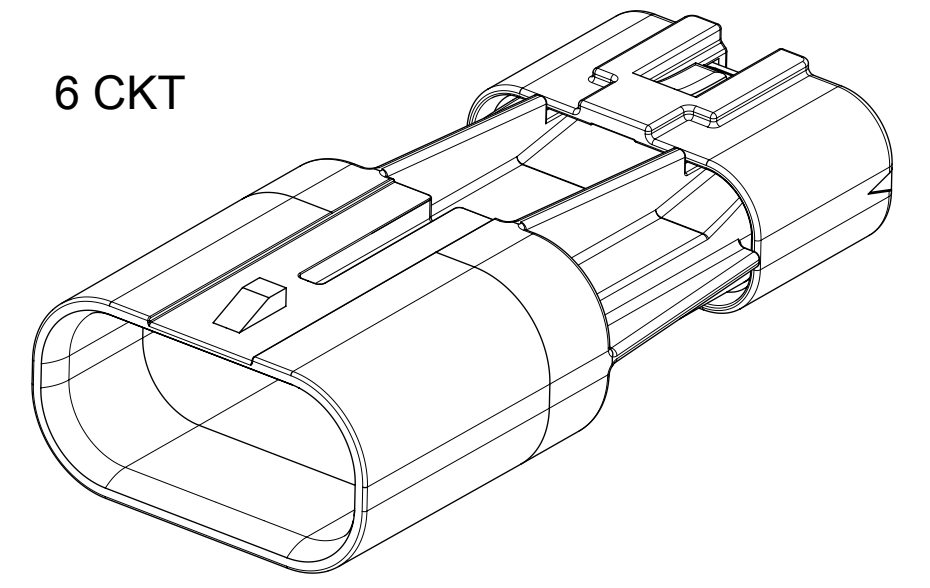
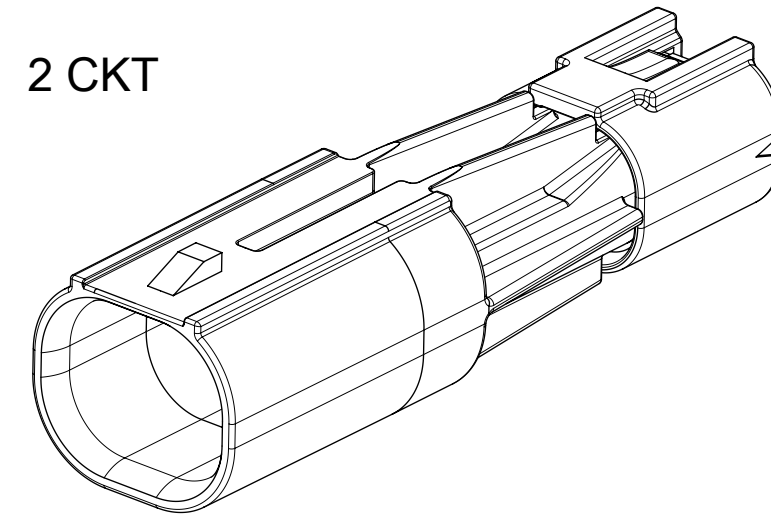
1. MATERIAL:  
HOUSING & REAR SEAL CAP: NYLON, UL94V-0, BLACK  
SEALS: INHERENTLY LUBRICATED SILICONE
2. FINISH: NONE
3. PRODUCT SPECIFICATION: 2042200000-PS
4. APPLICATION SPECIFICATION: 2042200000-AS
5. PACKAGING SPECIFICATION: 2042230000-PK
6. THIS PART MATES WITH RECEPTACLE SERIES 204220.
7. THIS PART USES TERMINAL PART NUMBER 2042261001.
8. THIS PART CONFORMS TO CLASS 'C' REQUIREMENTS OF COSMETIC SPECIFICATION PS-45499-002.
9. VOIDED CIRCUITS HAVE A PLUG IN THE MATTE SEAL TO SEAL THE CIRCUIT AND WILL NOT ACCEPT TERMINALS.



CIRCUIT SIZE	DIM A
2	11.7
4	15.3
6	18.9
8	22.5
10	26.1

THIS DRAWING CONTAINS INFORMATION THAT IS PROPRIETARY TO MOLEX ELECTRONIC TECHNOLOGIES, LLC AND SHOULD NOT BE USED WITHOUT WRITTEN PERMISSION											
SYMBOLS		DIMENSION UNITS		SCALE		CURRENT REV DESC: ADD ALL CKTS VOIDED PN'S					
▽ = 0		mm		3:1		EC NO: 631906 DRWN: MKIPPER 2020/01/09 CHK'D: DSTEIER 2020/02/14 APPR: FSMITH 2020/02/19 INITIAL REVISION: DRWN: TGREGORI 2017/05/03 APPR: RHODGE 2018/01/26					
▽ = 0		GENERAL TOLERANCES (UNLESS SPECIFIED)									
▽ = 0		ANGULAR TOL ± °									
▽ = 0		4 PLACES ±									
▽ = 0		3 PLACES ±				PRODUCT CUSTOMER DRAWING DOCUMENT NUMBER: 2042230000-SD DOC TYPE: PSD DOC PART: 000 REVISION: A5					
▽ = 0		2 PLACES ±									
▽ = 0		1 PLACE ± 0.2				MATERIAL NUMBER: SEE CHART CUSTOMER: GENERAL MARKET SHEET NUMBER: 1 OF 2					
▽ = 0		0 PLACES ±									
▽ = 0		DRAFT WHERE APPLICABLE MUST REMAIN WITHIN DIMENSIONS		THIRD ANGLE PROJECTION		DRAWING		SERIES		MATERIAL NUMBER	
▽ = 0				C-SIZE		204223		SEE CHART		GENERAL MARKET	

CIRCUIT SIZE	MATERIAL NUMBER	VOIDED CIRCUIT SEE NOTE 9
2	204223-0002	NONE
4	204223-0004	NONE
6	204223-0006	NONE
8	204223-0008	NONE
10	204223-0010	NONE
2	204223-9902	ALL CIRCUITS VOIDED
4	204223-9904	ALL CIRCUITS VOIDED
6	204223-9906	ALL CIRCUITS VOIDED
8	204223-9908	ALL CIRCUITS VOIDED
10	204223-9910	ALL CIRCUITS VOIDED
4	204223-4004	4
6	204223-6006	6
8	204223-8008	8
10	204223-1110	10



AVAILABLE CIRCUIT SIZES

<b>SYMBOLS</b> = 0 = 0 = 0 = 0 = 0 = 0 = 0 = 0 = 0 = 0	THIS DRAWING CONTAINS INFORMATION THAT IS PROPRIETARY TO MOLEX ELECTRONIC TECHNOLOGIES, LLC AND SHOULD NOT BE USED WITHOUT WRITTEN PERMISSION		
	DIMENSION UNITS	SCALE	CURRENT REV DESC: ADD ALL CKTS VOIDED PN'S
	mm	3:1	
	GENERAL TOLERANCES (UNLESS SPECIFIED)		
	ANGULAR TOL	± °	EC NO: 631906
	4 PLACES	±	DRWN: MKIPPER 2020/01/09
	3 PLACES	±	CHK'D: DSTEIER 2020/02/14
	2 PLACES	±	APPR: FSMITH 2020/02/19
	1 PLACE	± 0.2	INITIAL REVISION:
	0 PLACES	±	DRWN: TGREGORI 2017/05/03
DRAFT WHERE APPLICABLE MUST REMAIN WITHIN DIMENSIONS		THIRD ANGLE PROJECTION	DRAWING
			C-SIZE
		SERIES	204223
DOCUMENT STATUS		DOCUMENT NUMBER	DOC TYPE
P1	2020/02/19 15:53:54	2042230000-SD	PSD
		CUSTOMER	DOC PART
		GENERAL MARKET	000
		SHEET NUMBER	REVISION
		2 OF 2	A5

**molex**

PLUG ASSEMBLY  
SQUBA 1.8

PRODUCT CUSTOMER DRAWING