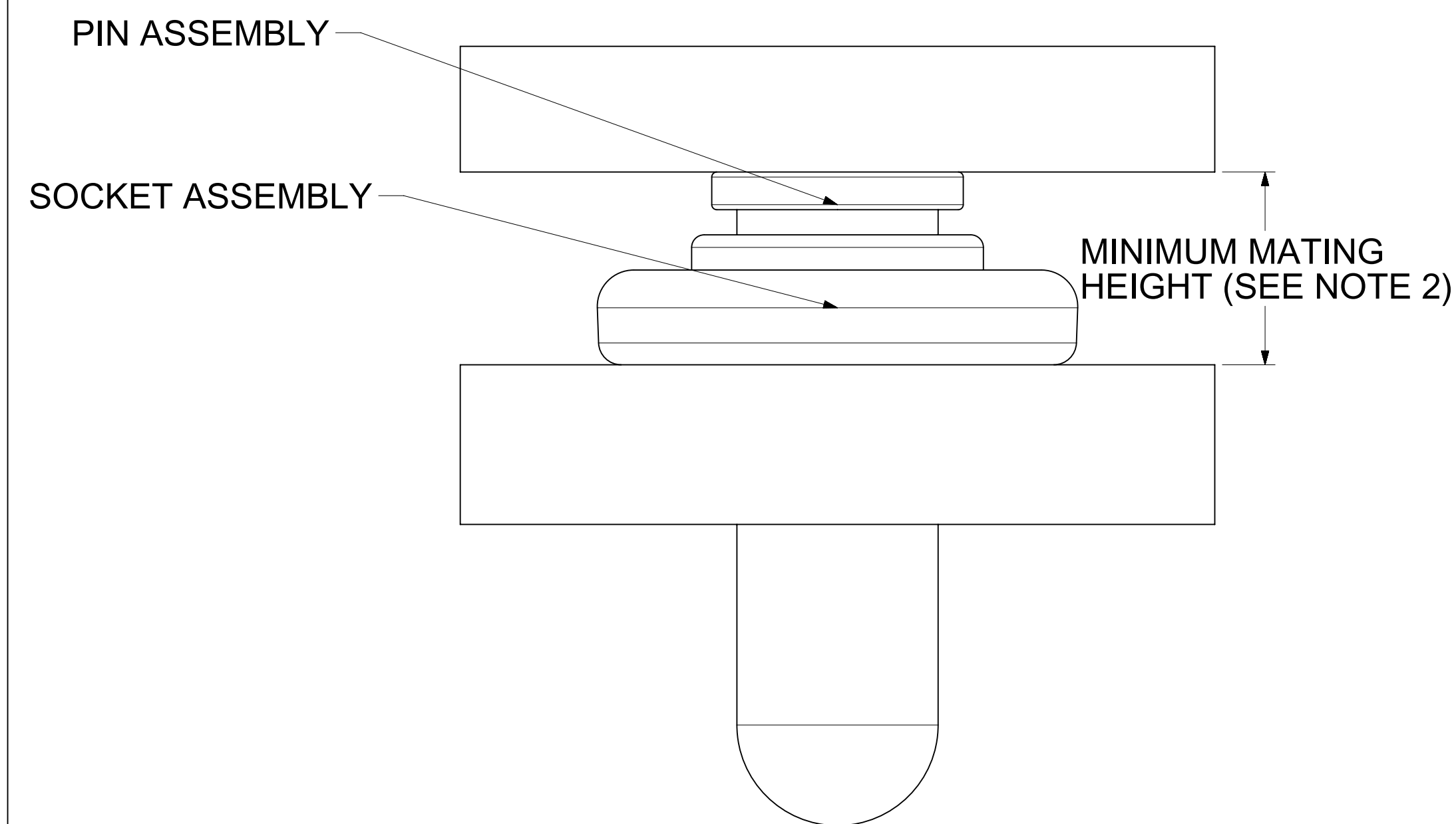
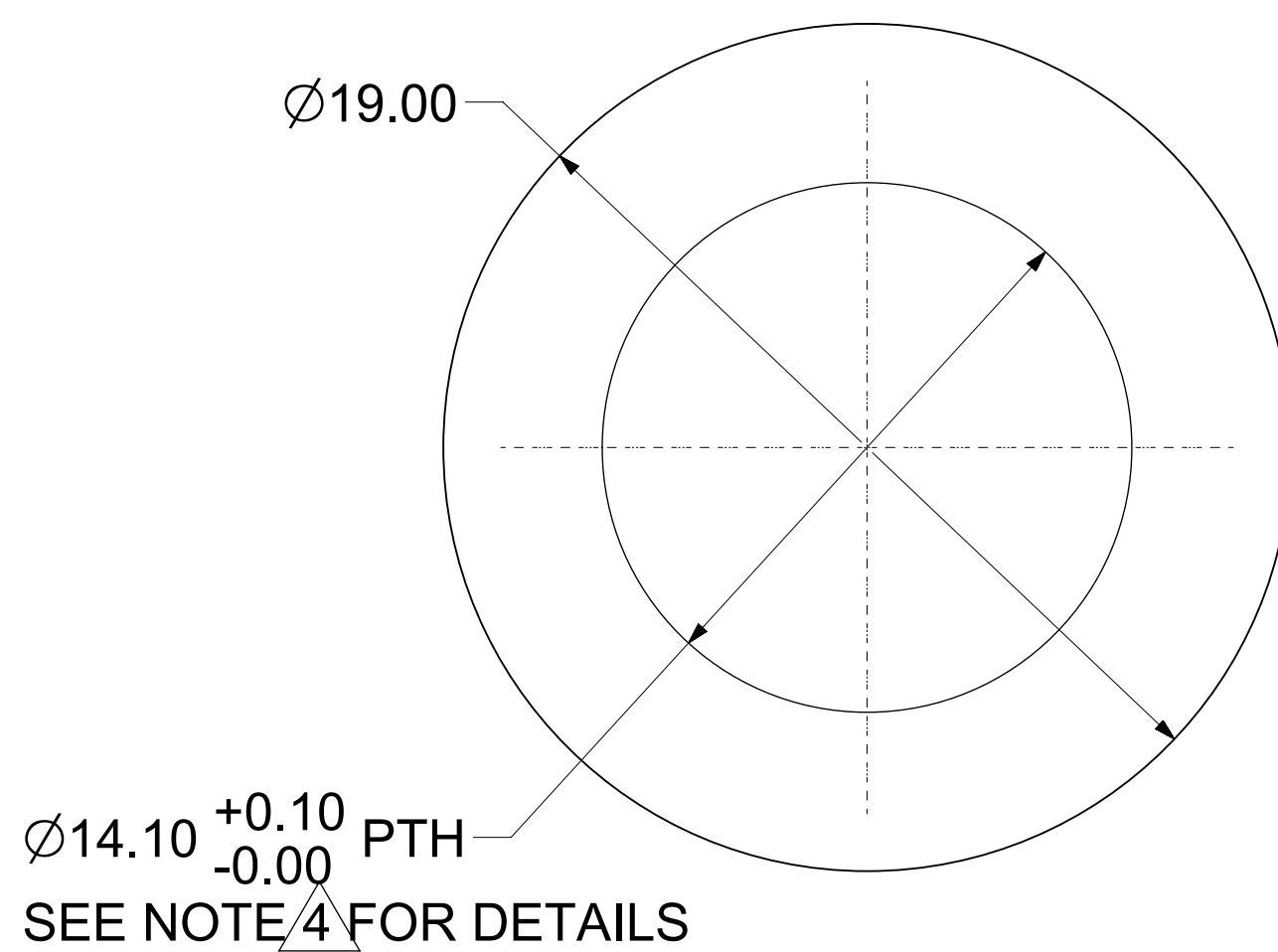
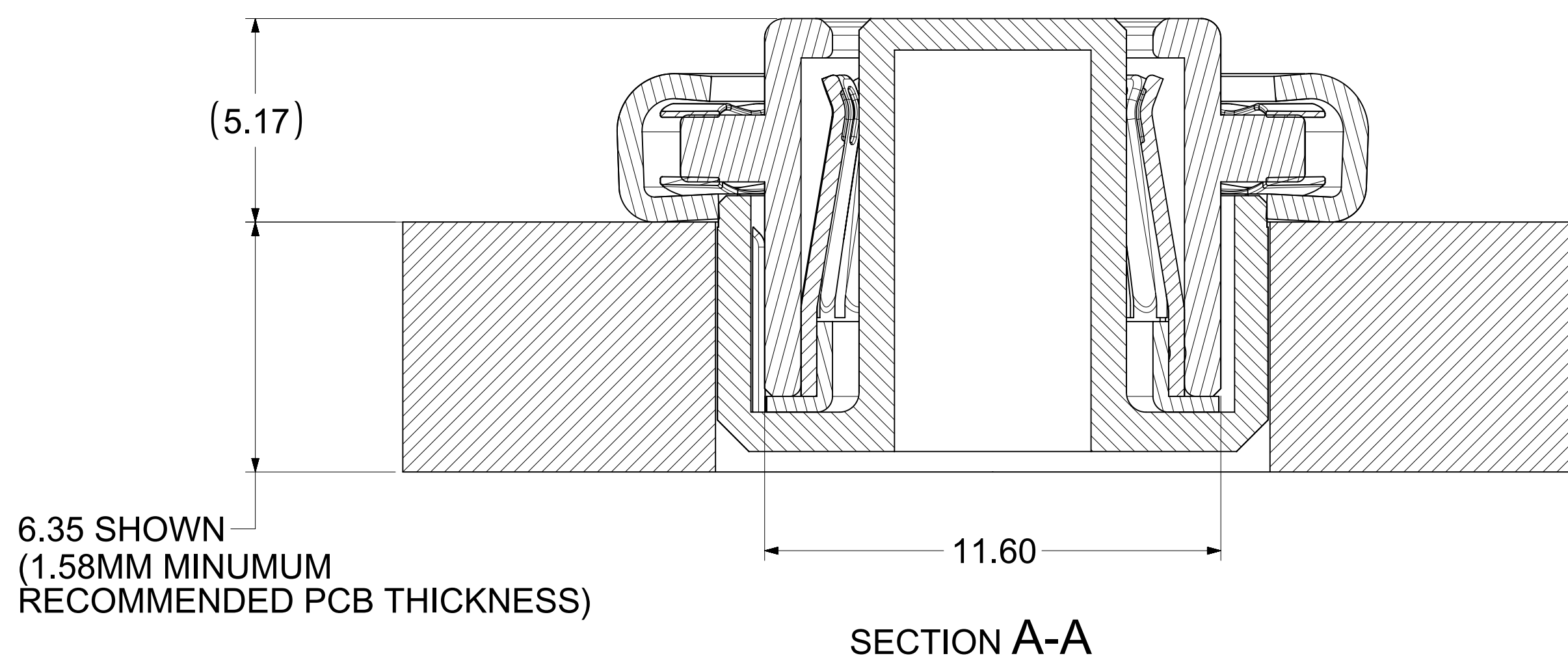
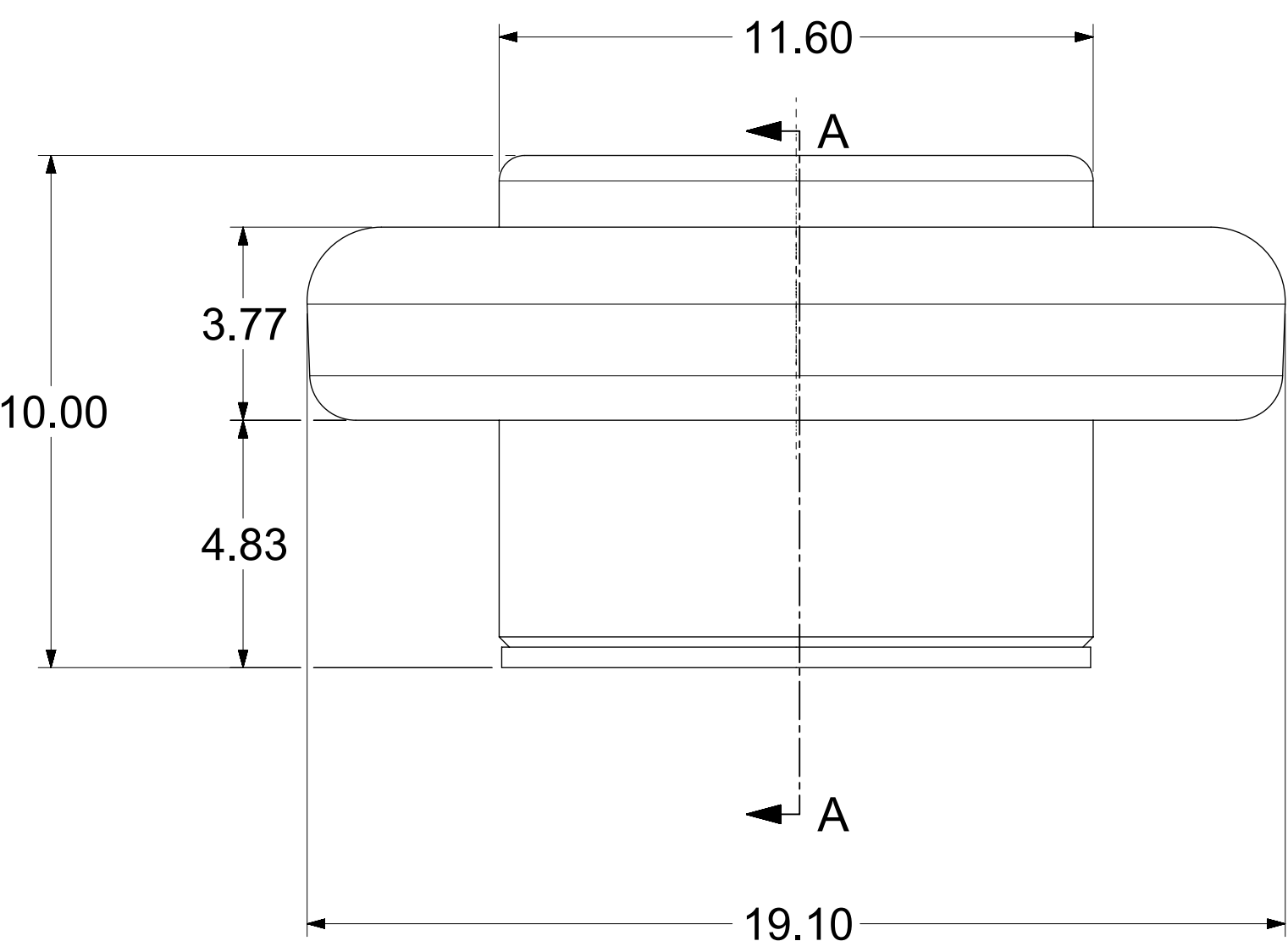


REMOVABLE  
PICK AND PLACE  
CAP SHOWN

### RECOMMENDED PCB LAYOUT



### MATING PROFILE



#### NOTES:

1. MATERIALS:  
PICK AND PLACE CAP: LCP UL94, V-0 COLOR BLACK  
BASE METAL: HIGH CONDUCTIVE COPPER ALLOY  
PLATING ON CONTACTS: 0.75 MICRON MIN GOLD OVER 1.27 MICRON MIN NICKEL  
PLATING ON BODY: 3.18 MICRON MIN SILVER OVER 1.27 MICRON MIN NICKEL
2. MATES WITH STANDARD PIN DRAWINGS:  
i. 8.0MM SMT DRAWING 2032633080-SD, MIN. MATING DISTANCE 7.32MM  
ii. 8.0MM PRESS FIT DRAWING 2032630001-SD, MIN. MATING DISTANCE 7.67MM  
iii. 8.0MM SCREW MOUNT DRAWING 2032634185-SD, MIN. MATING DISTANCE 10.67MM
3. PRODUCT SPECIFICATION: 2043130001-PS
4. APPLICATION SPECIFICATION: 2043130001-AS  
SEE APPLICATION SPEC FOR SOLDERING INFORMATION.
5. PACKAGING SPECIFICATION: 2043650010-PK
6. SILVER COMPONENTS WILL BE SUPPLIED TARNISH FREE BUT MAY TARNISH OVER TIME.
7. PICK AND PLACE CAP TO BE REMOVED AFTER SOLDERING.  
CAP TO BE PUSHED OUT OF BOTTOM FROM THE TOP.

THIS DRAWING CONTAINS INFORMATION THAT IS PROPRIETARY TO MOLEX ELECTRONIC TECHNOLOGIES, LLC AND SHOULD NOT BE USED WITHOUT WRITTEN PERMISSION									
DIMENSION UNITS		SCALE		CURRENT REV DESC:				<b>molex</b>	
mm		NTS							
GENERAL TOLERANCES (UNLESS SPECIFIED)				EC NO: 626926					
ANGULAR TOL ± 0.5°				DRWN: RLOW		2019/11/05		8.0MM CST W/1.0 FLOAT (SMT)	
4 PLACES ±				CHK'D: BPISZCZOR		2019/11/12		PRODUCT CUSTOMER DRAWING	
3 PLACES ±				APPR: BPISZCZOR		2019/11/12		DOCUMENT NUMBER	
2 PLACES ± 0.15				INITIAL REVISION:				DOC TYPE	
1 PLACE ± 0.25				DRWN: JJONIAK		2017/05/11		DOC PART	
0 PLACES ±				APPR: JJONIAK		2018/06/14		REVISION	
DRAFT WHERE APPLICABLE MUST REMAIN WITHIN DIMENSIONS				THIRD ANGLE PROJECTION		DRAWING		SERIES	
				D-SIZE		204365		MATERIAL NUMBER	
								CUSTOMER	
								SHEET NUMBER	
								1 OF 1	