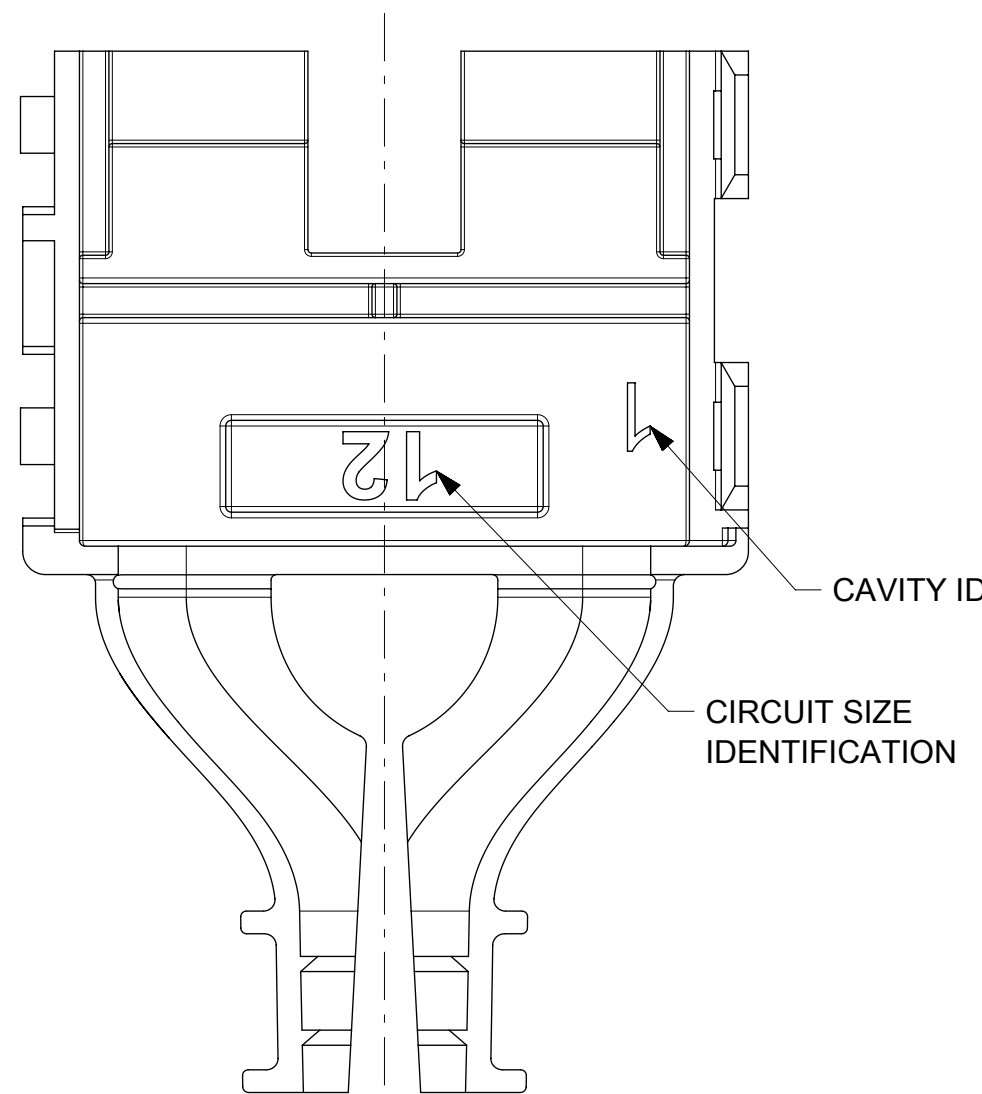
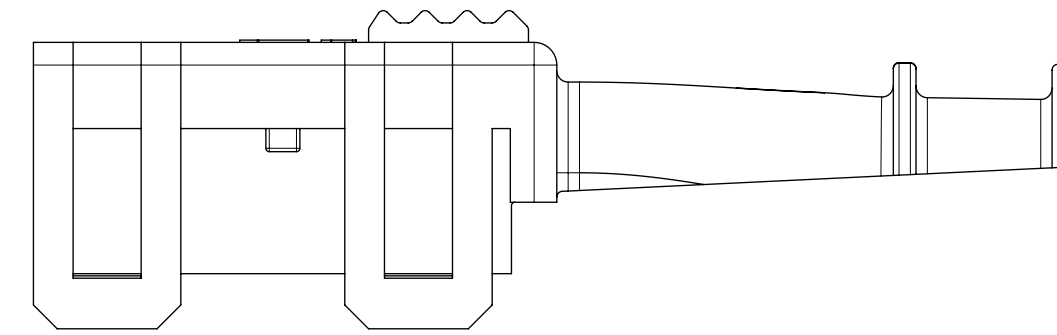
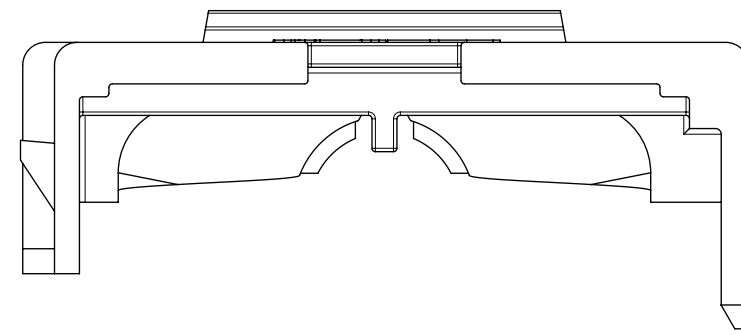
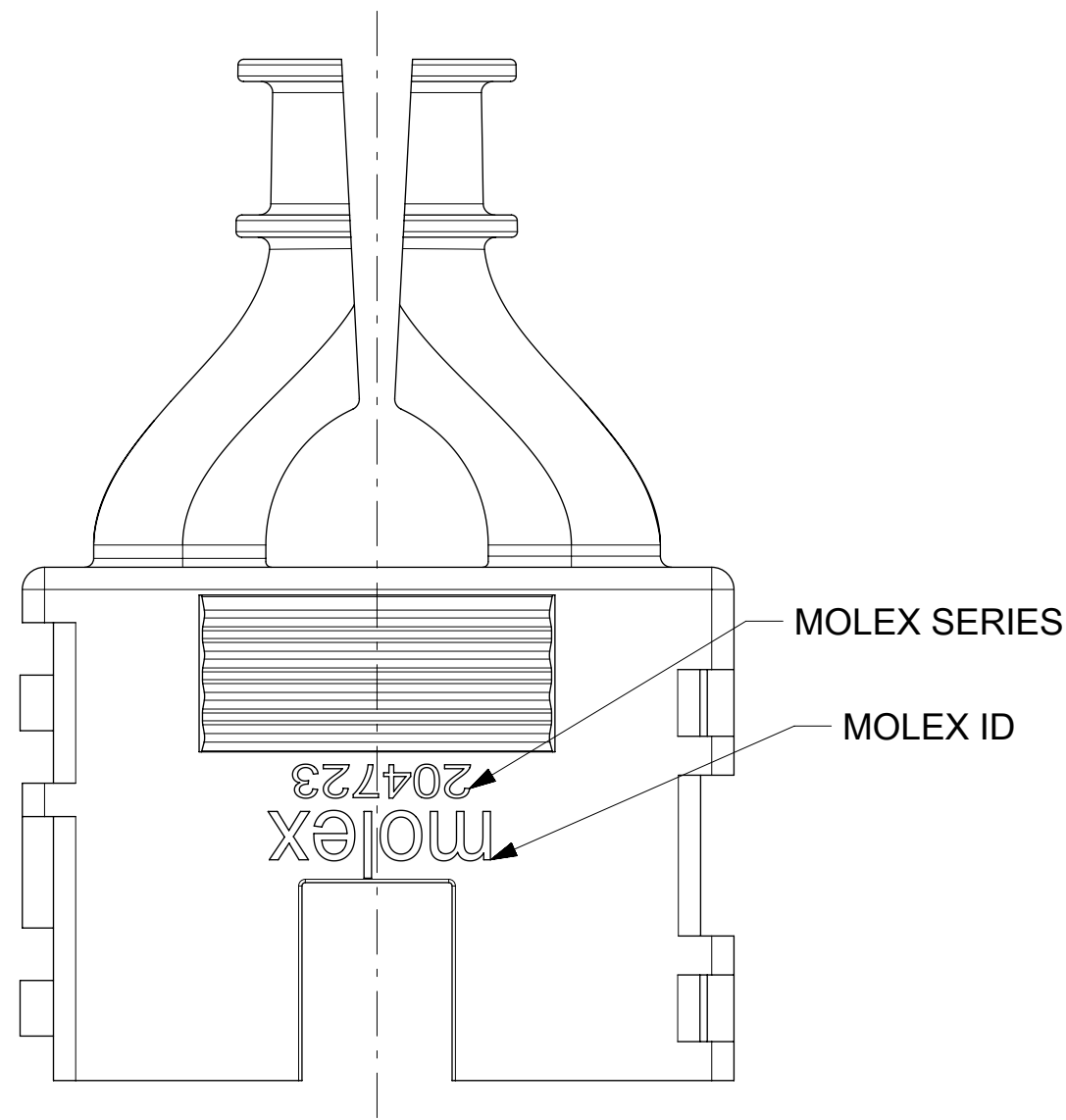


ISOMETRIC VIEW FOR 12 CKT



NOTES:

1. MATERIAL:
 '0' = NYLON V-O LOW HALOGEN; COLOR: BLACK
 '1' = NYLON V-2 GLOW WIRE CAPABLE; COLOR: BLACK
2. FINISH: NONE
3. PRODUCT SPECIFICATION: 2047230001-PS
 APPLICATION SPECIFICATION: 2047230000-AS
4. PACKAGING SPECIFICATION: 2047230001-PK
 REFER TO AS-45499-001 FOR MOISTURIZING NYLON CONNECTOR PARTS.
5. THIS BACKSHELL TO BE USED WITH RECEPTACLE SERIES 5557 AND
 PLUG HOUSING SERIES 5559.
6. THIS PART CONFORMS TO CLASS 'B' REQUIREMENTS OF COSMETIC
 SPECIFICATION PS-45499-002.
7. FOR "1" MATERIAL USE CLASS C GATE BLIMISH SPEC.
8. 204723-0012 SHOWN. SEE SHEET 2 FOR OTHER PART NUMBERS.
9. 14 TO 24 CKT ARE NOT TOOLED

PART LEGEND

204723 - 0 * * *

PART SERIES

MATERIAL (SEE NOTE 1)

NUMBER OF CKTS (SEE NEXT SHEET)

QUALITY SYMBOLS ▽ = 0 ▽ = 0 ▽ = 0 ▽ = 0 ▽ = 0 ▽ = 0 ▽ = 0 ▽ = 0 ▽ = 0 ▽ = 0		THIS DRAWING CONTAINS INFORMATION THAT IS PROPRIETARY TO MOLEX ELECTRONIC TECHNOLOGIES, LLC AND SHOULD NOT BE USED WITHOUT WRITTEN PERMISSION		GENERAL TOLERANCES (UNLESS SPECIFIED) DIMENSION UNITS: mm SCALE: 3:1 ANGULAR TOL ± 0.5 ° 4 PLACES ± 3 PLACES ± 2 PLACES ± 0.25 1 PLACE ± 0.4 0 PLACES ± DRAFT WHERE APPLICABLE MUST REMAIN WITHIN DIMENSIONS		DRWN BY: SNAGARAVENKA DATE: 2017/06/07 CHK'D BY: DATE: APPR BY: KPRASAD DATE: 2017/08/18 DRAWING SIZE: C THIRD ANGLE PROJECTION				MINIFIT BACKSHELL DUAL ROW 2 TO 24CKT	
ADD CKT ID ON PART EC NO: 607465 DRWN: GJEEVANSURES CHKD: GJEEVANSURES REV: APPR: ISHWARG		2018/10/09 2018/11/12 2018/11/13		SERIES: 204723 MATERIAL NUMBER: 2047230000-SD CUSTOMER:		PRODUCT CUSTOMER DRAWING		DOCUMENT NUMBER: 2047230000-SD PSD DOC PART: 000 SHEET NUMBER: 1 OF 3		RELEASE STATUS: P1 RELEASE DATE: 2018/11/13 07:36:15	

