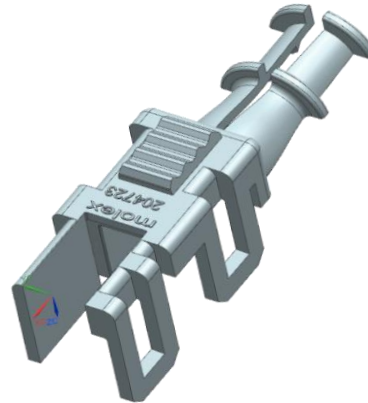
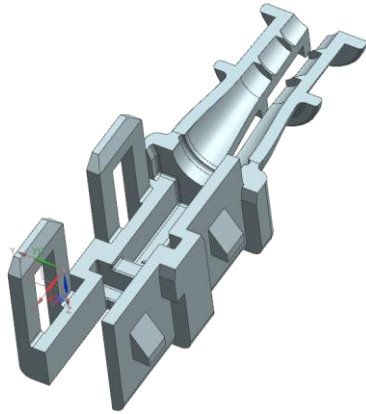
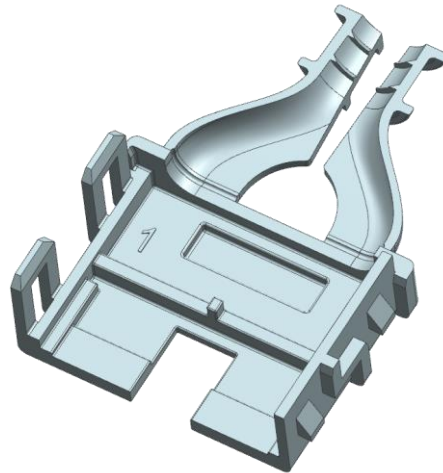
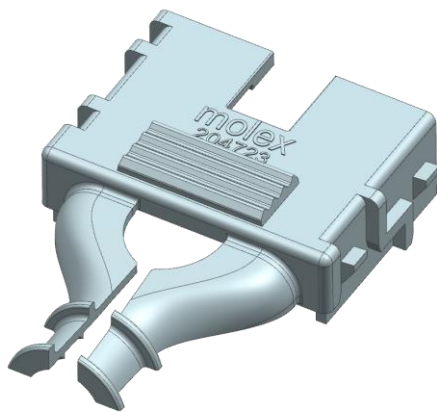


PRODCUT SPECIFICATIOIN FOR MINI-FIT BACKSHELL



2ckt Mini-Fit Backshell



12ckt Mini-Fit Backshell

REVISION: 1	ECR/ECN INFORMATION: EC No: 602415 DATE: 08/06/2018	TITLE: PRODUCT SPECIFICATION FOR MINI FIT BACKSHELL WITH DUAL ROW WITH OUT PANEL MOUNT VERSION	SHEET No. 1 of 4
DOCUMENT NUMBER: 2047230001-PS	CREATED / REVISED BY: GJEEVANSURES	CHECKED BY: SCS02	APPROVED BY: ISHWARG

1.0 SCOPE

This Product Specification covers the Backshell for the Mini-fit plug (5557) and Receptacle (5559) housings.

2.0 PRODUCT DESCRIPTION

The mini-fit backshell is a hermaphroditic strain reliever made in 2, 4, 6, 8, 10 and 12 circuit to accommodate the dual row without panel mount version of mini-fit plug and receptacle housings. The back shells are nylon and accept the wire ranges 18, 20, 22AWG of UL-1015 and UL-1569 styles.

2.1 PRODUCT NAME AND SERIES NUMBER(S)

Description	Series
2CKT MINIFIT BACKSHELL, V-0	204723
4CKT MINIFIT BACKSHELL, V-0	
6CKT MINIFIT BACKSHELL, V-0	
8CKT MINIFIT BACKSHELL, V-0	
10CKT MINIFIT BACKSHELL, V-0	
12CKT MINIFIT BACKSHELL, V-0	
2CKT MINIFIT BACKSHELL, V-2	
4CKT MINIFIT BACKSHELL, V-2	
6CKT MINIFIT BACKSHELL, V-2	
8CKT MINIFIT BACKSHELL, V-2	
10CKT MINIFIT BACKSHELL, V-2	
12CKT MINIFIT BACKSHELL, V-2	

2.2 DIMENSIONS, MATERIALS, PLATINGS AND MARKINGS

See the 2047230000-SD sales drawing for the information on dimension, materials, and markings.

2.3 SAFETY AGENCY APPROVALS

N/A

2.4 TEMPERATURE

Operating: - 40°C to + 105°C

3.0 APPLICABLE REFERENCE DOCUMENTS

Application Specification: 2047230000-AS

Product Specifications for applicable plug and Receptacle Housings:

: PS-5556-001, PS- 45750-001

Test summary: 2047230000-TS

REVISION: 1	ECR/ECN INFORMATION: EC No: 602415 DATE: 08/06/2018	TITLE: PRODUCT SPECIFICATION FOR MINI FIT BACKSHELL WITH DUAL ROW WITH OUT PANEL MOUNT VERSION	SHEET No. 2 of 4
DOCUMENT NUMBER: 2047230001-PS	CREATED / REVISED BY: GJEEVANSURES	CHECKED BY: SCS02	APPROVED BY: ISHWARG

4.0 PERFORMANCE

4.1 MECHANICAL REQUIREMENTS

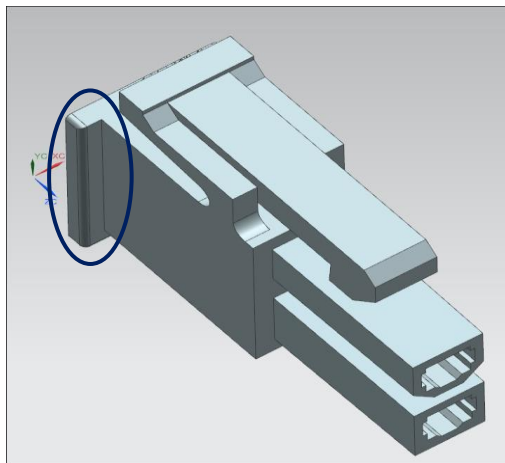
ITEM	DESCRIPTION	TEST CONDITION	REQUIREMENT
1	Backshell latch Retention Force with V0 Resin (with Housing)	The Force to separate the backshell halves at a rate of 25.4 mm/min.	70 N (15.73 lbf) MINIMUM retention force
2	Backshell Latch Insertion with V0 Resin (with Housing)	Mate the backshell halves at a rate of 25.4 mm/min.	20 N (4.49 lbf) MAXIMUM insertion force
3	Latch cycling with V0 Resin	Engage and disengage the latches 9 times. Record backshell latch insertion & retention forces for 10th cycle.	Target: 20 N (4.49 lbf) Max. Insertion 70 N (15.73 lbf) Min. Retention
4	Wire Pullout Force with V0 Resin (Right Angle)	Apply a right angle pullout force on the wire at a rate of 25.4 mm/min.	70 N (15.73 lbf) MINIMUM pullout force

5.0 PACKAGING

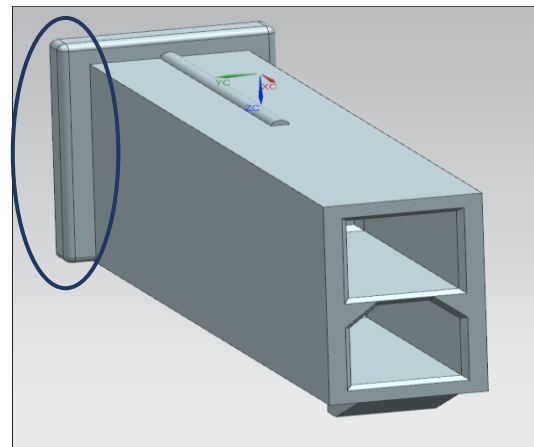
Parts shall be packaged to protect against damage during handling, transit and storage.

6.0 OTHER INFORMATION

- 2-Circuit Mini-fit back shell are used only with side tabs of Plug and Receptacle Housings, refer the below images.



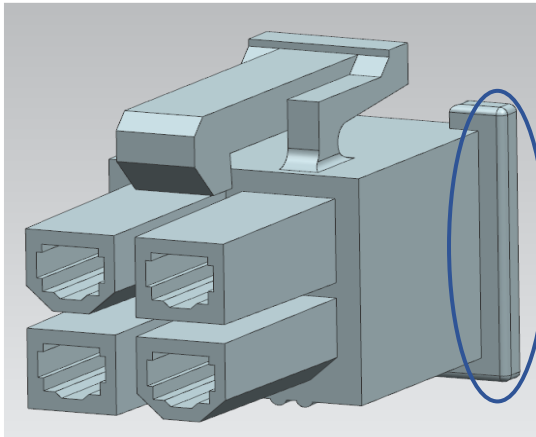
2ckt Receptacle with Side tab



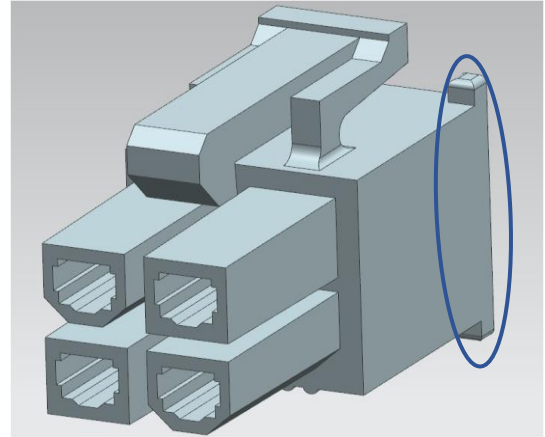
2ckt Plug with Side tab

REVISION: 1	ECR/ECN INFORMATION: EC No: 602415 DATE: 08/06/2018	TITLE: PRODUCT SPECIFICATION FOR MINI FIT BACKSHELL WITH DUAL ROW WITH OUT PANEL MOUNT VERSION	SHEET No. 3 of 4
DOCUMENT NUMBER: 2047230001-PS	CREATED / REVISED BY: GJEEVANSURES	CHECKED BY: SCS02	APPROVED BY: ISHWARG

2. 4-Circuit Mini-Fit backshell are used with and without side tabs of Plug and receptacle Housings.



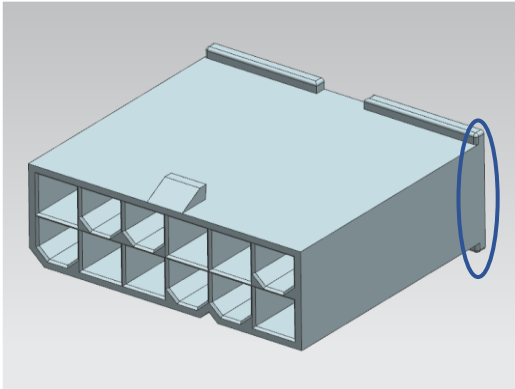
4ckt Receptacle housing with Side tab



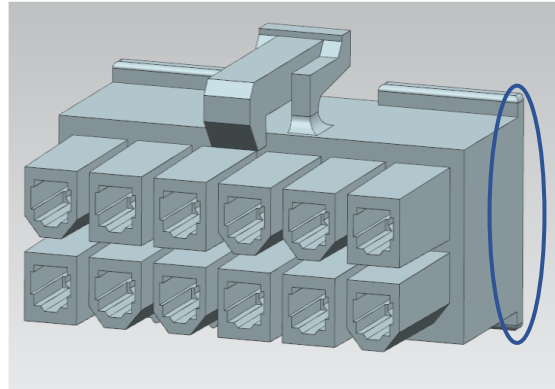
4ckt Receptacle housing without Side tab

- The above images showing with and without side tabs are applicable for Plug Housing also.

3. 6 to 12 Circuits Mini-Fit backshell are used only without side tabs of Plug and receptacle Housings.



12ckt Receptacle housing without Side tab



12ckt Receptacle without Side tab

- The above images showing without side tabs are applicable for Plug and receptacle Housing from.

REVISION: 1	ECR/ECN INFORMATION: EC No: 602415 DATE: 08/06/2018	TITLE: PRODUCT SPECIFICATION FOR MINI FIT BACKSHELL WITH DUAL ROW WITH OUT PANEL MOUNT VERSION	SHEET No. 4 of 4
DOCUMENT NUMBER: 2047230001-PS	CREATED / REVISED BY: GJEEVANSURES	CHECKED BY: SCS02	APPROVED BY: ISHWARG