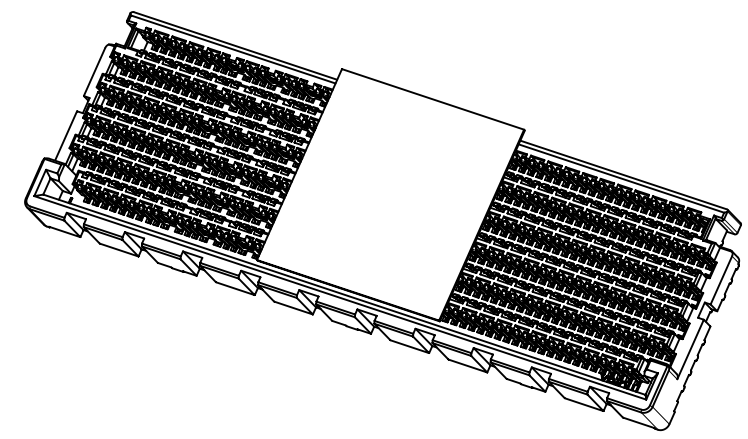
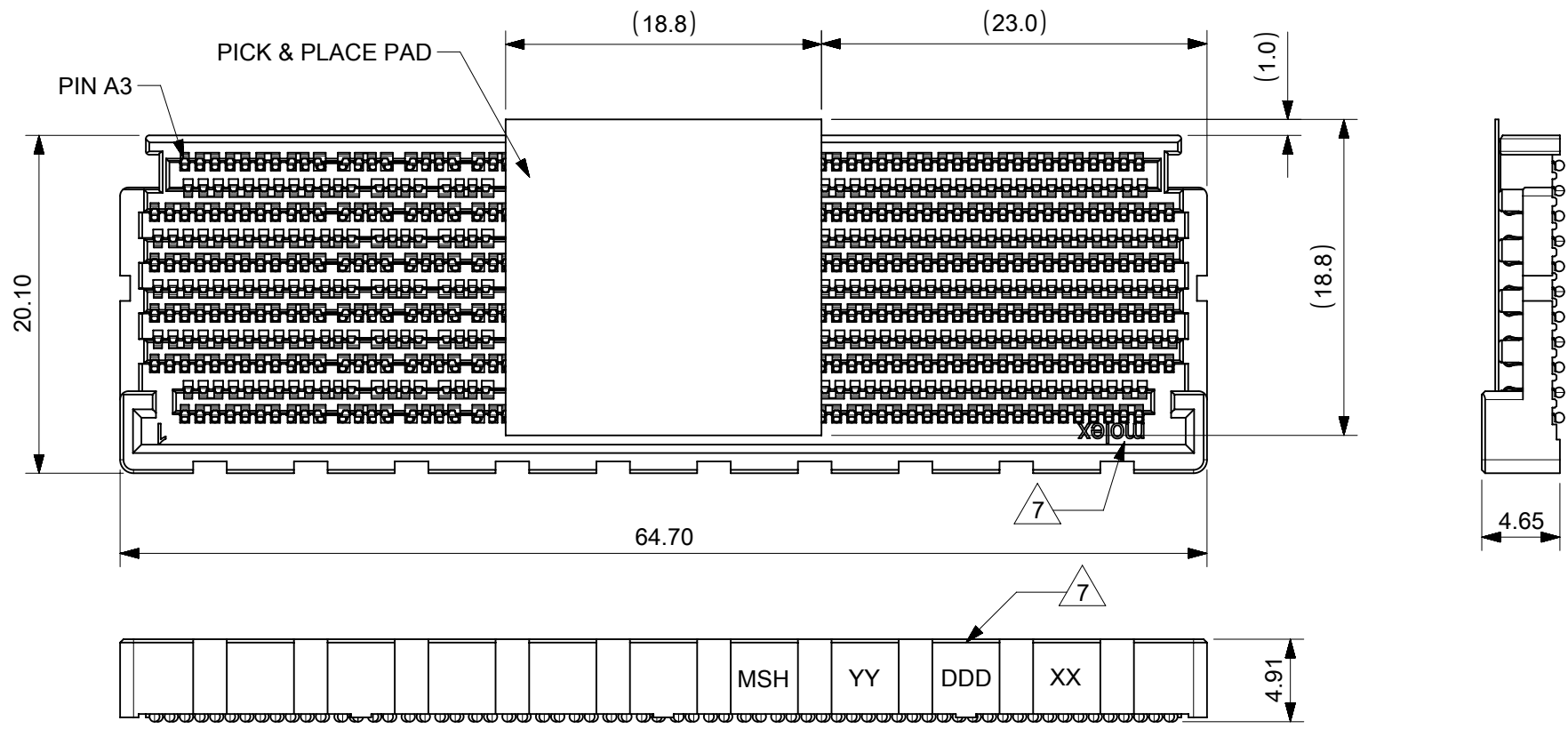


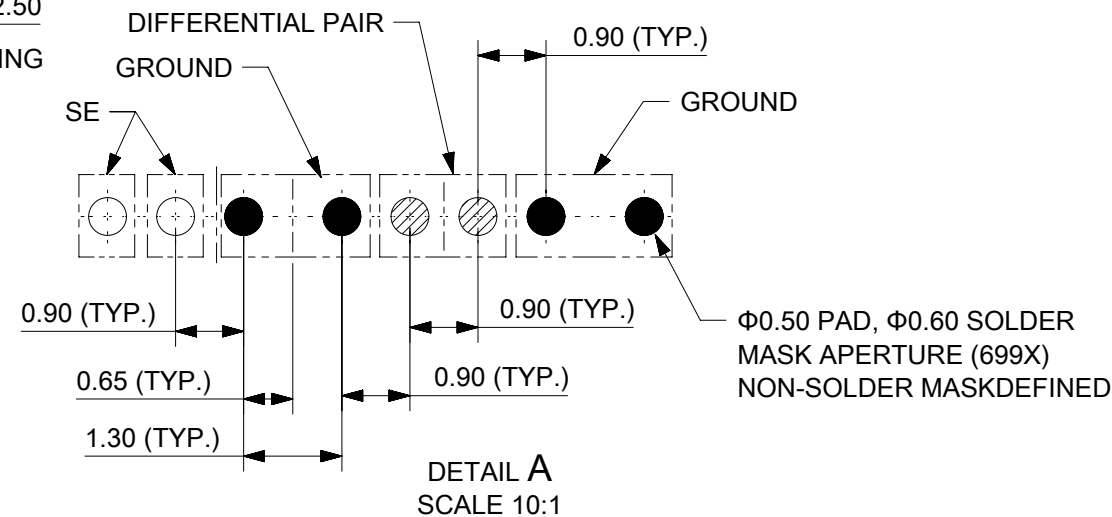
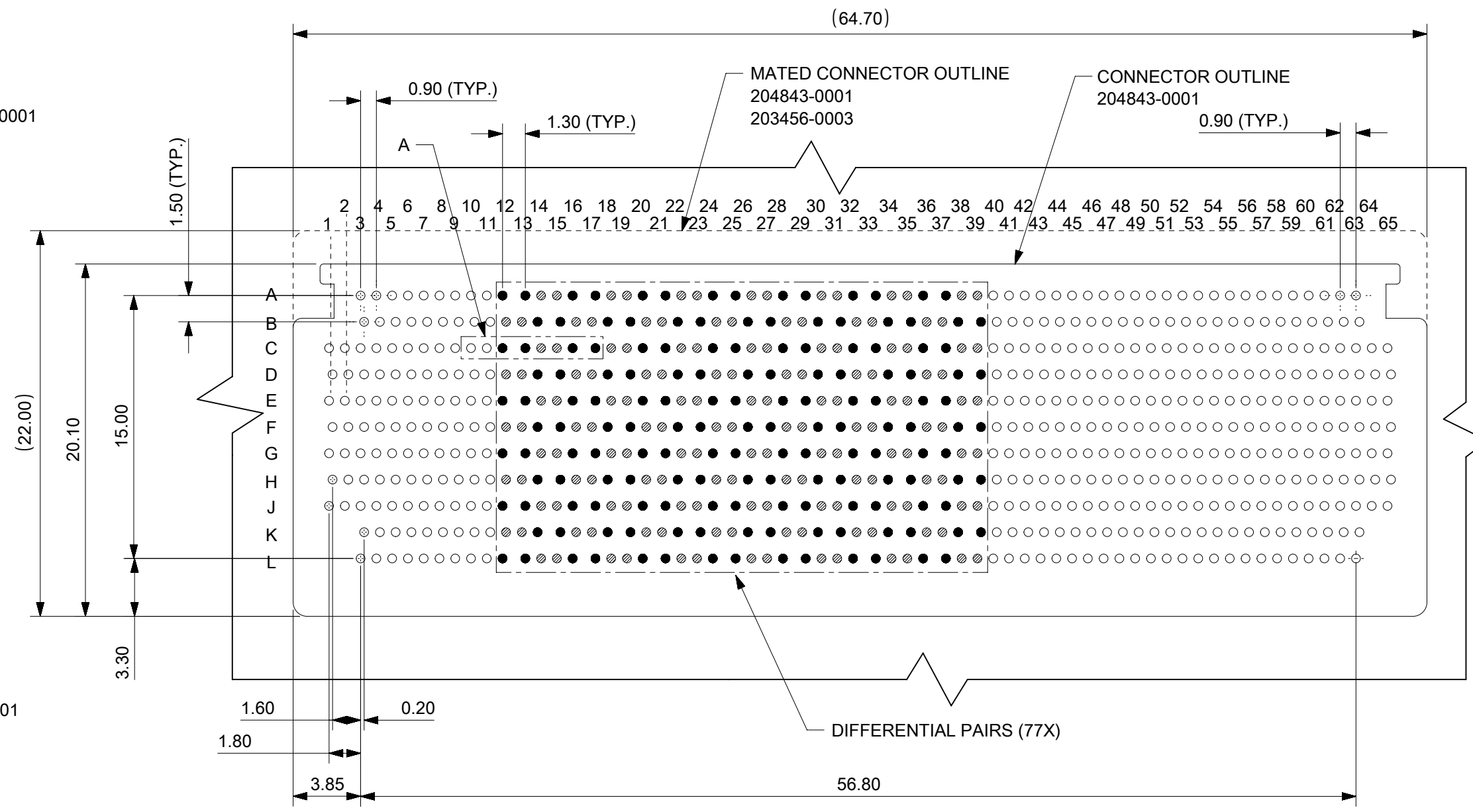
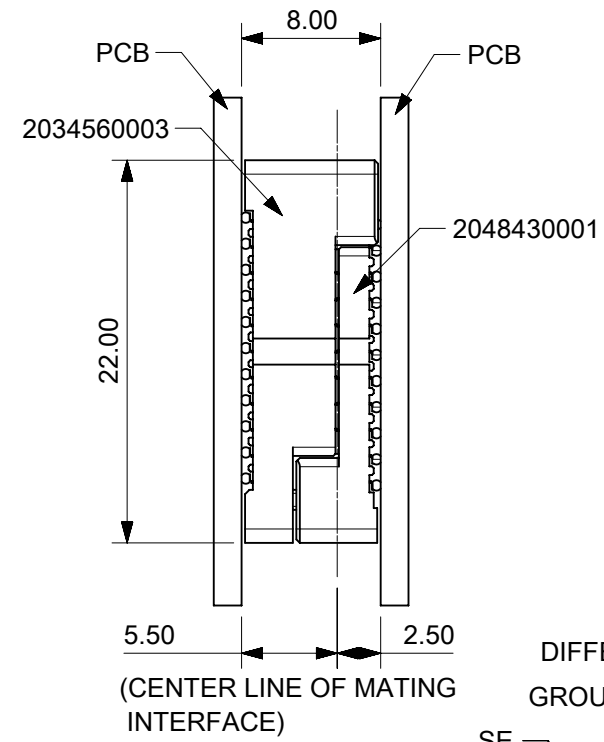
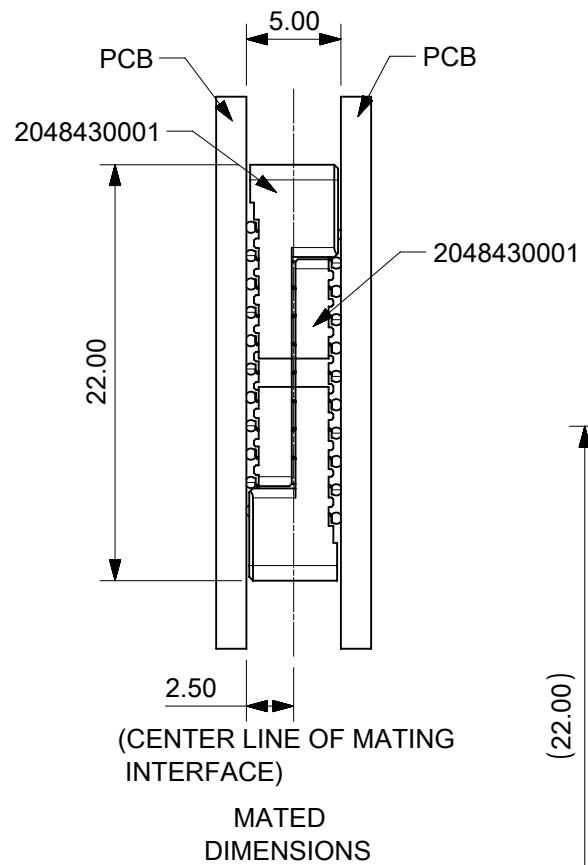
- NOTES:
- MATERIALS:
HOUSING - BLACK COLOR
HIGH TEMPERATURE THERMOPLASTIC, UL94V-0,
HALOGEN FREE.
TERMINALS - HIGH PERFORMANCE COPPER ALLOY.
SOLDER BALL - LEAD FREE SAC SOLDER ALLOY.
 - FINISH: 30μ" GOLD ON ALL CONTACT AREA.
50μ" MIN. NICKEL OVERALL.
 - PRODUCT SPECIFICATION: 2028280001PS000.
 - PACKAGING SPECIFICATION: 2048438300PDD000.
 - SEE SHEET 2 FOR PCB LAYOUT.
 - PRODUCT COMPLIANT TO RoHS DIRECTIVE 2011/65/EU AND
ELV 2000/53/EC.
 - MOLEX LOGO, PART NUMBER & DATE CODE LOCATED
APPROXIMATELY AS SHOWN.



THIS DESIGN IS BASED ON DESIGN OBJECTIVES AND IS STRICTLY TENTATIVE. IT MAY CHANGE BASED ON RESULTS OF ADDITIONAL DESIGN REVIEWS AND VERIFICATIONS.

THIS DRAWING CONTAINS INFORMATION THAT IS PROPRIETARY TO MOLEX ELECTRONIC TECHNOLOGIES, LLC AND SHOULD NOT BE USED WITHOUT WRITTEN PERMISSION

REVISED	2018/01/05	GENERAL TOLERANCES (UNLESS SPECIFIED)	DIMENSION UNITS	SCALE	molex [®]		
	2018/01/22		mm	NTS			
	2018/01/22		ANGULAR TOL ±	°		DRWN BY	DATE
			4 PLACES ±			HCGOH	2017/06/22
			3 PLACES ±			CHK'D BY	DATE
			2 PLACES ±	0.2	CTCHO	2017/06/22	
			1 PLACE ±		APPR BY	DATE	
			0 PLACES ±		SHONG	2017/09/15	
			DRAFT WHERE APPLICABLE MUST REMAIN WITHIN DIMENSIONS		DRAWING SIZE	THIRD ANGLE PROJECTION	
					A3		
			PRODUCT CUSTOMER DRAWING				
			SERIES	MATERIAL NUMBER	CUSTOMER		
			204843	204843-0001			
			DOCUMENT NUMBER	DOC TYPE	DOC PART	SHEET NUMBER	
			2048430001	PSD	000	1 OF 2	



THIS DRAWING CONTAINS INFORMATION THAT IS PROPRIETARY TO MOLEX ELECTRONIC TECHNOLOGIES, LLC AND SHOULD NOT BE USED WITHOUT WRITTEN PERMISSION

REVISED	2018/01/05	GENERAL TOLERANCES (UNLESS SPECIFIED)	DIMENSION UNITS	SCALE	molex MIRROR MEZZ, 2.5MM HEIGHT, 7PX11R
	2018/01/22		mm	NTS	
	2018/01/22		ANGULAR TOL ±	°	
	EC NO: 168236		4 PLACES ±		
	DRWN: HCGOH		3 PLACES ±		
CHK'D: SHONG	2 PLACES ± 0.2		DRWN BY	DATE	PRODUCT CUSTOMER DRAWING
APPR: SHONG	1 PLACE ±		HCGOH	2017/06/22	
	0 PLACES ±		CHK'D BY	DATE	SERIES
			CTCHO	2017/06/22	
			APPR BY	DATE	CUSTOMER
			SHONG	2017/09/15	
			DRAWING SIZE	THIRD ANGLE PROJECTION	204843-0001
			A3		DOCUMENT NUMBER
					2048430001
					DOC TYPE
					PSD
					DOC PART
					000
					SHEET NUMBER
					2 OF 2