

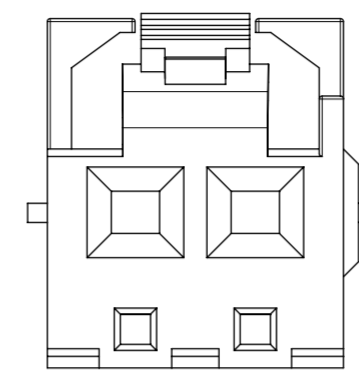
(2.91)

DISTINCTIVE FOR 2-CIRCUIT

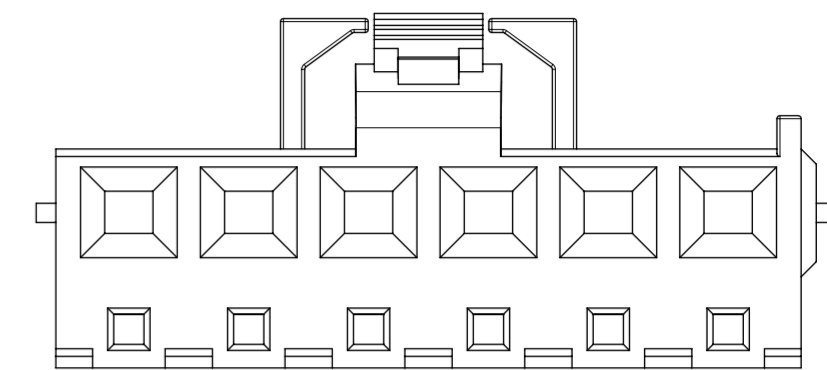
- NOTES:
1. MATERIAL: PA66 , RATED UL94V-0, COLOR- BLACK
 2. PRODUCT SPECIFICATION: 2074580000-PS
 3. PACKAGING SPECIFICATION: 2074580000-PK
 4. COSMETIC SPECIFICATION: PS-45499-002 CLASS B
 5. HOUSING ACCEPTS TERMINALS FROM 45570 SERIES

POLARIZATION

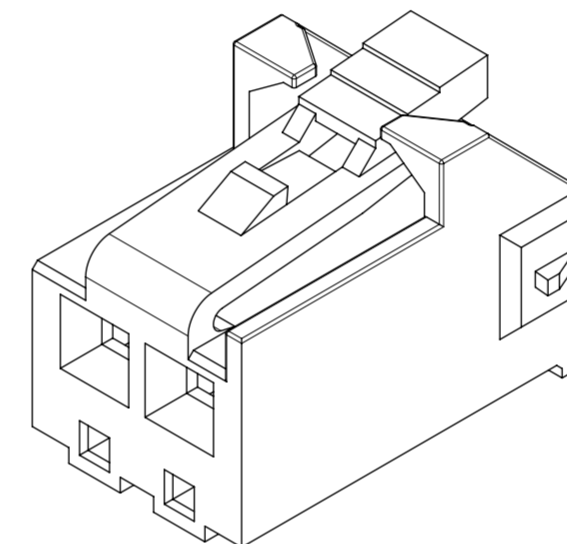
2 CKT



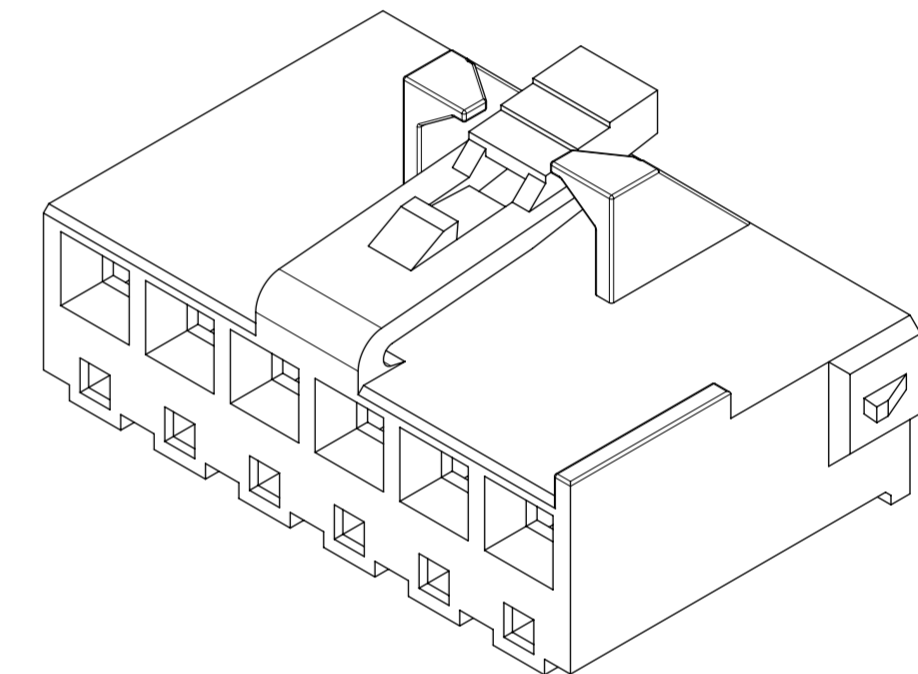
3 TO 6 CKT



ISOMETRIC OF 2 CKT



ISOMETRIC OF 6 CKT



CIRCUIT SIZE	PART NUMBER	DIM. A
02	2074580002	10.29
03	2074580003	13.25
04	2074580004	17.21
05	2074580005	21.18
06	2074580006	25.14

THIS DRAWING CONTAINS INFORMATION THAT IS PROPRIETARY TO MOLEX ELECTRONIC TECHNOLOGIES, LLC AND SHOULD NOT BE USED WITHOUT WRITTEN PERMISSION

DIMENSION UNITS mm	SCALE 4:1	CURRENT REV DESC: INITIAL RELEASE					
GENERAL TOLERANCES (UNLESS SPECIFIED)		<p>molex</p> <p>L1NK 396 RECEPTACLE HOUSING</p> <p>PRODUCT CUSTOMER DRAWING</p>					
ANGULAR TOL	± 0.5°						
4 PLACES	±						
3 PLACES	±						
2 PLACES	± 0.2						
1 PLACE	± 0.25						
0 PLACES	±	INITIAL REVISION:		DOCUMENT NUMBER	DOC TYPE	DOC PART	REVISION
DRAFT WHERE APPLICABLE MUST REMAIN WITHIN DIMENSIONS		THIRD ANGLE PROJECTION	DRAWING	SERIES	MATERIAL NUMBER	CUSTOMER	SHEET NUMBER
			A2-SIZE	207458	SEE TABLE	GENERAL MARKET	1 OF 1

molex			
L1NK 396 RECEPTACLE HOUSING			
PRODUCT CUSTOMER DRAWING			
DOCUMENT NUMBER	DOC TYPE	DOC PART	REVISION
2074580000-SD	PSD	000	A1
MATERIAL NUMBER	CUSTOMER	SHEET NUMBER	
SEE TABLE	GENERAL MARKET	1 OF 1	