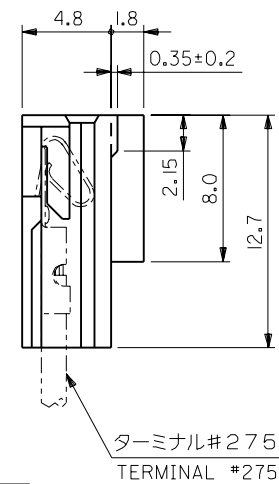
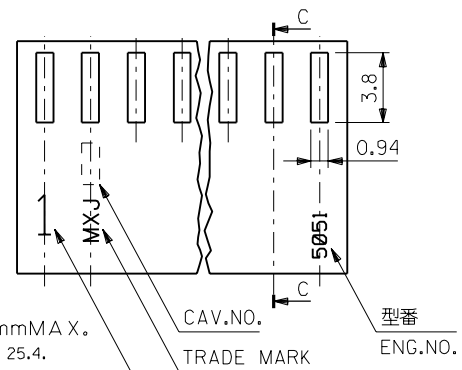
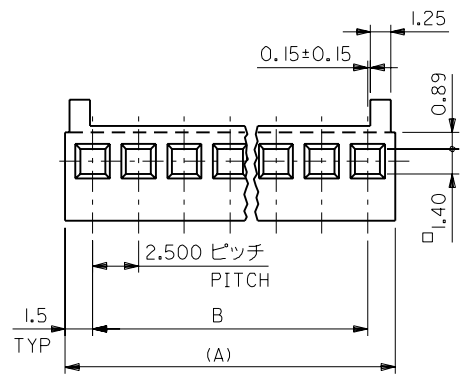


DWG. NO. SD-505I-N



注)
NOTE.

- そりは長さ25.4mmに対して0.2mmMAX. CAMBER MUST BE WITHIN 0.2 MAX. PER 25.4.
- () 寸法は参考値
DIMENSION SHOWN IN () ARE REFERENCE.
- サーキットNO. 1のみ表示 但し2極の場合はMX-Jマーク側が1となる
WHEN 2 CIRCUITS HOUSING TRADE MARK SIDE IN NO.1 CIRCUIT.

MT'L. NYLON 66(94V-0)					
ENG. NO.	PART NO.	極数 N	B	(A)	REV
505I-20	22-01-1202	20	47.50±0.30	50.50	
-19	-1192	19	45.00±0.25	48.00	
-18	-1182	18	42.50±0.25	45.50	
-17	-1172	17	40.00±0.25	43.00	
-16	-1162	16	37.50±0.25	40.50	
-15	-1152	15	35.00±0.20	38.00	
-14	-1142	14	32.50±0.20	35.50	
-13	-1132	13	30.00±0.20	33.00	
-12	-1122	12	27.50±0.20	30.50	
-11	-1112	11	25.00±0.15	28.00	
-10	-1102	10	22.50±0.15	25.50	
-09	-1092	9	20.00±0.15	23.00	
-08	-1082	8	17.50±0.15	20.50	
-07	-1072	7	15.00±0.15	18.00	
-06	-1062	6	12.50±0.10	15.50	
-05	-1052	5	10.00±0.10	13.00	
-04	-1042	4	7.50±0.10	10.50	
-03	-1032	3	5.00±0.10	8.00	
505I-02	22-01-1022	2	2.50±0.08	5.50	

DO NOT SCALE DRAWING

EC NO. DRWN: CHK: APPR:	EC NO. DRWN: CHK: APPR:	EC NO. DRWN: CHK: APPR:	EC NO. DRWN: CHK: APPR:	EC NO. DRWN: CHK: APPR:	REDRAWN EC NO. JC2000-0629 DRWN: K.KOHAMA 000/3/28 CHK: T.YAMAGUCHI 000/3/30 APPR: M.FUKUSHIMA 000/3/30	MATERIAL 材料 表参照 SEE TABLE	GENERAL TOLERANCES: (UNLESS SPECIFIED) 一般公差	SCALE 4:1	DESIGN UNITS <input checked="" type="checkbox"/> mm <input type="checkbox"/> INCH	THIRD ANGLE PROJECTION <input type="checkbox"/> mm <input type="checkbox"/> INCH <input checked="" type="checkbox"/> mm ONLY	REVISIONS SHT REV
					FINISH 仕上げ //		10 UNDER 未満 +0.25 ±0.2	DRAWN BY & DATE K.KOHAMA 000/3/28	TITLE: 2.50/(.098) CENTERS KK. POLZG HSG.		
					WIRE RANGE 適用線径範囲 //		10 OVER 以上 30 UNDER 未満 +0.3 ±0.25	CHECKED BY & DATE T.YAMAGUCHI 007/3/30			
					INS. RANGE 被覆外径 //		30 OVER 以上 +0.35 ±0.3	APPROVED BY & DATE M.FUKUSHIMA 000/3/30	MOLEX INCORPORATED		
							ANGLE 角度 +3°	CAD FILENAME S505I.S01	MATERIAL NO. 505I-**	DRAWING NO. SD-505I-N	SHEET NO. I
THIS DRAWING CONTAINS INFORMATION THAT IS PROPRIETARY TO MOLEX INCORPORATED AND SHOULD NOT BE USED WITHOUT WRITTEN PERMISSION.										SIZE B	