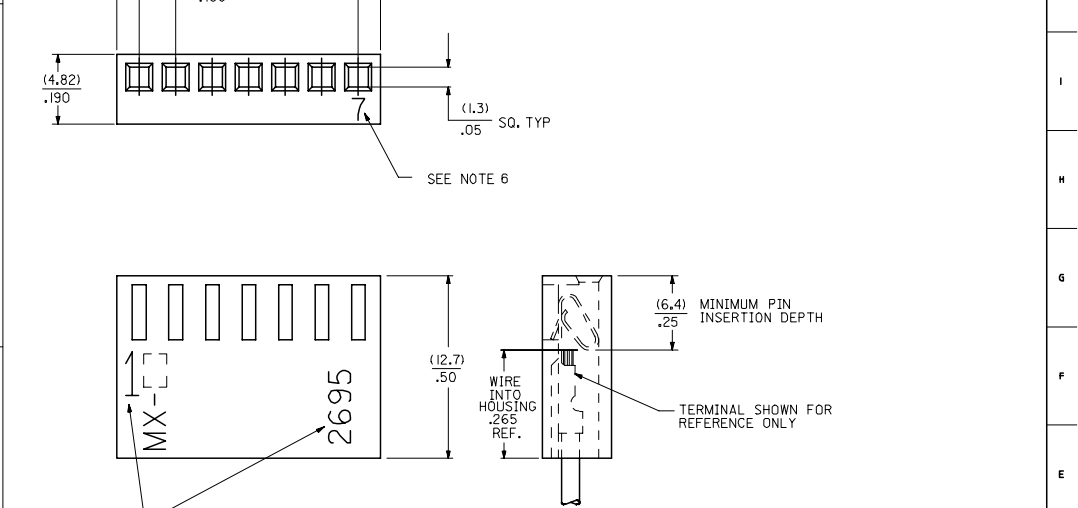
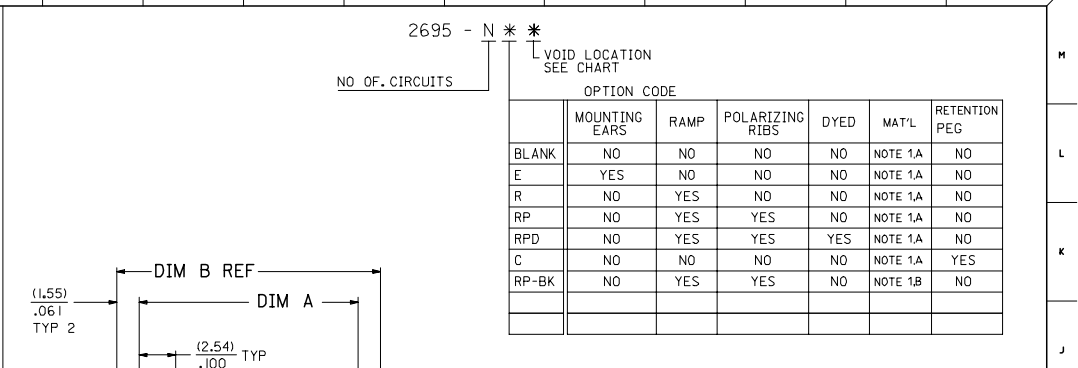
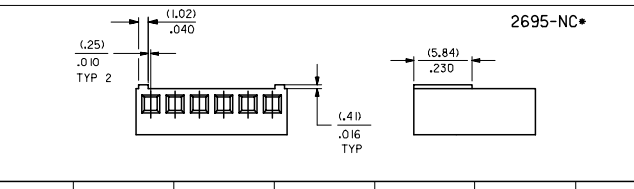
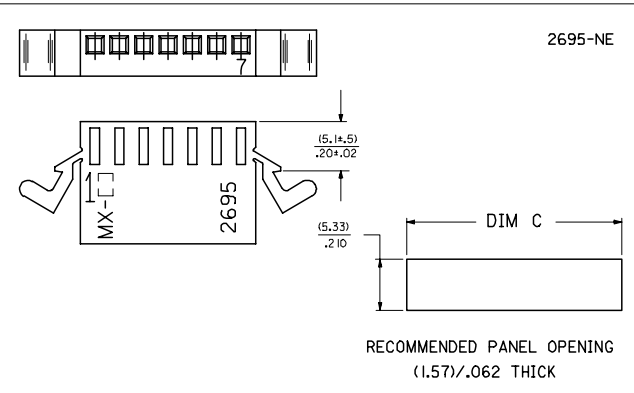
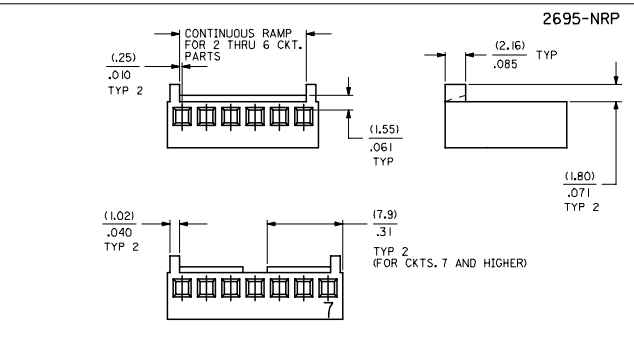
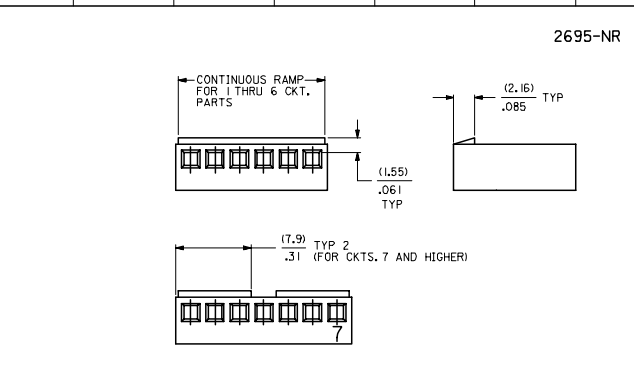


20 19 18 17 16 15 14 13 12 11 10 9 8 7 6 5 4 3 2 1

| NO. OF CKT'S. | DIM. A | DIM. B | DIM. C |
|---------------|-------------|----------|----------|
| 1 | N/A | (3.10) | (7.16) |
| 2 | (2.54±.05) | (5.64) | (9.70) |
| 3 | (5.08±.05) | (8.18) | (12.24) |
| 4 | (7.62±.05) | (10.72) | (14.78) |
| 5 | (10.16±.05) | (13.26) | (17.32) |
| 6 | (12.70±.08) | (15.80) | (19.86) |
| 7 | (15.24±.08) | (18.34) | (22.40) |
| 8 | (17.78±.08) | (20.88) | (24.94) |
| 9 | (20.32±.10) | (23.42) | (27.48) |
| 10 | (22.86±.10) | (25.96) | (30.02) |
| 11 | (25.40±.10) | (28.50) | (32.56) |
| 12 | (27.94±.13) | (31.04) | (35.10) |
| 13 | (30.48±.13) | (33.58) | (37.64) |
| 14 | (33.02±.13) | (36.12) | (40.18) |
| 15 | (35.56±.13) | (38.66) | (42.72) |
| 16 | (38.10±.15) | (41.20) | (45.26) |
| 17 | (40.64±.15) | (43.74) | (47.80) |
| 18 | (43.18±.15) | (46.28) | (50.34) |
| 19 | (45.72±.15) | (48.82) | (52.88) |
| 20 | (48.26±.15) | (51.36) | (55.42) |
| 21 | (50.80±.18) | (53.90) | (57.96) |
| 22 | (53.34±.18) | (56.44) | (60.50) |
| 23 | (55.88±.18) | (58.98) | (63.04) |
| 24 | (58.42±.18) | (61.52) | (65.58) |
| 25 | (60.96±.20) | (64.06) | (68.12) |
| 26 | (63.50±.20) | (66.60) | (70.66) |
| 27 | (66.04±.20) | (69.14) | (73.20) |
| 28 | (68.58±.20) | (71.68) | (75.74) |
| 29 | (71.12±.23) | (74.22) | (78.28) |
| 30 | (73.66±.23) | (76.76) | (80.82) |
| 31 | (76.20±.23) | (79.30) | (83.36) |
| 32 | (78.74±.23) | (81.84) | (85.90) |
| 33 | (81.28±.25) | (84.38) | (88.44) |
| 34 | (83.82±.25) | (86.92) | (90.98) |
| 35 | (86.36±.25) | (89.46) | (93.52) |
| 36 | (88.90±.25) | (92.00) | (96.06) |
| 37 | (91.44±.28) | (94.54) | (98.60) |
| 38 | (93.98±.28) | (97.08) | (101.14) |
| 39 | (96.52±.28) | (99.62) | (103.68) |
| 40 | (99.06±.28) | (102.16) | (106.22) |



- NOTES:
1. MATERIAL: A - NYLON, UL94V-0, COLOR: WHITE
B - NYLON, UL94V-0, COLOR: BLACK
 2. FINISH: SEE TERMINAL DRAWING
 3. THIS HOUSING CONFORMS TO MOLEX PRODUCT SPECIFICATION PS-10-07.
 4. PACKAGING: N/A
 5. HOUSING TO BE USED WITH CRIMP TYPE TERMINAL NUMBER 2759, 22-30 GAUGE WIRE WITH (1.57) .062 DIAMETER MAXIMUM WIRE INSULATION.
 6. LAST CIRCUIT NUMBER TO BE DESIGNATED ON 7 CKTS. AND HIGHER, EXCEPT WHEN "MX" APPEARS.
 7. CIRCUIT NUMBER "Y" AND ENGINEERING NUMBER TO APPEAR ON PARTS 3 CKTS. AND HIGHER.

| | | | | | |
|--|--|---|--|--------------------------------------|---|
| ADD P/N 22-01-2032 EC NO: UCP2006-1024 DRW:ANDR 2005/11/01 CHK:LSHRD1 2005/11/02 APPR:SMITH 2005/11/02 | QUALITY SYMBOLS ▽=0 ▽=0 | GENERAL TOLERANCES (UNLESS SPECIFIED) 4 PLACES ± .005 3 PLACES ± .005 2 PLACES ± 0.13 1 PLACE ± 0.25 ANGULAR ±1/2° | DIMENSION STYLE MM/IN DRAWN BY PEREZ-ARGUET 1988/02/25 CHECKED BY PATEL 1988/02/25 APPROVED BY LENZ 1988/02/25 | SCALE --- DESIGN UNITS INCH | THIRD ANGLE PROJECTION |
| SHT. REV. 3 AM3 2 AM3 1 AM3 | DRAFT WHERE APPLICABLE MUST REMAIN WITHIN DIMENSIONS | MATERIAL NO. SEE CHART DOCUMENT NO. SD-2695 | TITLE (2.54)/100 HOUSING FOR KK CRIMP TYPE TERMINALS 2695 SERIES DRAWING MOLEX INCORPORATED | SHEET NO. 1 OF 3 | THIS DRAWING CONTAINS INFORMATION THAT IS PROPRIETARY TO MOLEX INCORPORATED AND SHOULD NOT BE USED WITHOUT WRITTEN PERMISSION |

| 2695-N | | | 2695-NE | | | 2695-NR | | | 2695-NRP | | | 2695-NRPD | | | 2695-NRP-BK | | |
|------------|---------|------|------------|----------|------|------------|------------|------|------------|-------------|------|------------|------------|------|-------------|--------------|------|
| PART NO. | ENG NO. | VOID | PART NO. | ENG NO. | VOID | PART NO. | ENG NO. | VOID | PART NO. | ENG NO. | VOID | PART NO. | ENG NO. | VOID | PART NO. | ENG NO. | VOID |
| 22-01-2011 | 2695-1 | | | 2695-1E | | | 2695-1R | | N/A | 2695-1RP | | N/A | 2695-1RPD | | | | |
| 22-01-2021 | 2695-2 | | 22-01-2022 | 2695-2E | | 22-01-2027 | 2695-2R | | 22-01-3027 | 2695-2RP | | | 2695-2RPD | | 50-29-1557 | 2695-2RP-BK | |
| 22-01-2031 | 2695-3 | | 22-01-2032 | 2695-3E | | 22-01-2037 | 2695-3R | | 22-01-3037 | 2695-3RP | | | 2695-3RPD | | 50-29-1558 | 2695-3RP-BK | |
| 22-01-2041 | 2695-4 | | | 2695-4E | | 22-01-2047 | 2695-4R | | 22-01-3047 | 2695-4RP | | | 2695-4RPD | | 50-29-1559 | 2695-4RP-BK | |
| 22-01-2051 | 2695-5 | | | 2695-5E | | 22-01-2057 | 2695-5R | | 22-01-3057 | 2695-5RP | | 22-32-2051 | 2695-5RPD | | 50-29-1560 | 2695-5RP-BK | |
| 22-01-2061 | 2695-6 | | | 2695-6E | | 22-01-2067 | 2695-6R | | 22-01-3067 | 2695-6RP | | | 2695-6RPD | | 50-29-1561 | 2695-6RP-BK | |
| 22-01-2071 | 2695-7 | | 22-01-2072 | 2695-7E | | 22-01-2077 | 2695-7R | | 22-01-3077 | 2695-7RP | | | 2695-7RPD | | 50-29-1562 | 2695-7RP-BK | |
| 22-01-2081 | 2695-8 | | | 2695-8E | | 22-01-2087 | 2695-8R | | 22-01-3087 | 2695-8RP | | | 2695-8RPD | | 50-29-1563 | 2695-8RP-BK | |
| 22-01-2091 | 2695-9 | | | 2695-9E | | 22-01-2097 | 2695-9R | | 22-01-3097 | 2695-9RP | | | 2695-9RPD | | 50-29-1564 | 2695-9RP-BK | |
| 22-01-2101 | 2695-10 | | | 2695-10E | | 22-01-2107 | 2695-10R | | 22-01-3107 | 2695-10RP | | 22-32-2101 | 2695-10RPD | | 50-29-1565 | 2695-10RP-BK | |
| 22-01-2111 | 2695-11 | | | 2695-11E | | 22-01-2117 | 2695-11R | | 22-01-3117 | 2695-11RP | | | 2695-11RPD | | 50-29-1566 | 2695-11RP-BK | |
| 22-01-2121 | 2695-12 | | | 2695-12E | | 22-01-2127 | 2695-12R | | 22-01-3127 | 2695-12RP | | | 2695-12RPD | | 50-29-1567 | 2695-12RP-BK | |
| 22-01-2131 | 2695-13 | | | 2695-13E | | 22-01-2137 | 2695-13R | | 22-01-3137 | 2695-13RP | | | 2695-13RPD | | 50-29-1568 | 2695-13RP-BK | |
| 22-01-2141 | 2695-14 | | | 2695-14E | | 22-01-2147 | 2695-14R | | 22-01-3147 | 2695-14RP | | | 2695-14RPD | | 50-29-1569 | 2695-14RP-BK | |
| 22-01-2151 | 2695-15 | | | 2695-15E | | 22-01-2157 | 2695-15R | | 22-01-3157 | 2695-15RP | | | 2695-15RPD | | 50-29-1570 | 2695-15RP-BK | |
| 22-01-2161 | 2695-16 | | | 2695-16E | | 22-01-2167 | 2695-16R | | 22-01-3167 | 2695-16RP | | | 2695-16RPD | | 50-29-1571 | 2695-16RP-BK | |
| 22-01-2171 | 2695-17 | | | 2695-17E | | 22-01-2177 | 2695-17R | | 22-01-3177 | 2695-17RP | | | 2695-17RPD | | 50-29-1572 | 2695-17RP-BK | |
| 22-01-2181 | 2695-18 | | | 2695-18E | | 22-01-2187 | 2695-18R | | 22-01-3187 | 2695-18RP | | | 2695-18RPD | | 50-29-1573 | 2695-18RP-BK | |
| 22-01-2191 | 2695-19 | | | 2695-19E | | 22-01-2197 | 2695-19R | | 22-01-3197 | 2695-19RP | | | 2695-19RPD | | 50-29-1574 | 2695-19RP-BK | |
| 22-01-2201 | 2695-20 | | | 2695-20E | | 22-01-2207 | 2695-20R | | 22-01-3207 | 2695-20RP | | | 2695-20RPD | | 50-29-1575 | 2695-20RP-BK | |
| 22-01-2211 | 2695-21 | | | 2695-21E | | 22-01-2217 | 2695-21R | | 22-01-3217 | 2695-21RP | | | 2695-21RPD | | 50-29-1576 | 2695-21RP-BK | |
| 22-01-2221 | 2695-22 | | | 2695-22E | | 22-01-2227 | 2695-22R | | 22-01-3227 | 2695-22RP | | | 2695-22RPD | | 50-29-1577 | 2695-22RP-BK | |
| 22-01-2231 | 2695-23 | | | 2695-23E | | 22-01-2237 | 2695-23R | | 22-01-3237 | 2695-23RP | | | 2695-23RPD | | 50-29-1578 | 2695-23RP-BK | |
| 22-01-2241 | 2695-24 | | | 2695-24E | | 22-01-2247 | 2695-24R | | 22-01-3247 | 2695-24RP | | | 2695-24RPD | | 50-29-1579 | 2695-24RP-BK | |
| 22-01-2251 | 2695-25 | | | 2695-25E | | 22-01-2257 | 2695-25R | | 22-01-3257 | 2695-25RP | | | 2695-25RPD | | 50-29-1580 | 2695-25RP-BK | |
| 22-01-2261 | 2695-26 | | | 2695-26E | | 22-01-2267 | 2695-26R | | 22-01-3267 | 2695-26RP | | | 2695-26RPD | | 50-29-1581 | 2695-26RP-BK | |
| 22-01-2271 | 2695-27 | | | 2695-27E | | 22-01-2277 | 2695-27R | | 22-01-3277 | 2695-27RP | | | 2695-27RPD | | 50-29-1582 | 2695-27RP-BK | |
| 22-01-2281 | 2695-28 | | | 2695-28E | | 22-01-2287 | 2695-28R | | 22-01-3287 | 2695-28RP | | | 2695-28RPD | | 50-29-1583 | 2695-28RP-BK | |
| 22-01-2291 | 2695-29 | | | 2695-29E | | 22-01-2297 | 2695-29R | | | 2695-29RP | | | 2695-29RPD | | | | |
| | 2695-30 | | | 2695-30E | | | 2695-30R | | | 2695-30RP | | | 2695-30RPD | | | | |
| | 2695-31 | | | 2695-31E | | | 2695-31R | | | 2695-31RP | | | 2695-31RPD | | | | |
| | 2695-32 | | | 2695-32E | | | 2695-32R | | | 2695-32RP | | | 2695-32RPD | | | | |
| 22-01-2331 | 2695-33 | | | 2695-33E | | 22-01-2337 | 2695-33R | | | 2695-33RP | | | 2695-33RPD | | | | |
| | 2695-34 | | | 2695-34E | | | 2695-34R | | | 2695-34RP | | | 2695-34RPD | | | | |
| | 2695-35 | | | 2695-35E | | | 2695-35R | | | 2695-35RP | | | 2695-35RPD | | | | |
| | 2695-36 | | | 2695-36E | | | 2695-36R | | | 2695-36RP | | | 2695-36RPD | | | | |
| | 2695-37 | | | 2695-37E | | | 2695-37R | | | 2695-37RP | | | 2695-37RPD | | | | |
| | 2695-38 | | | 2695-38E | | | 2695-38R | | | 2695-38RP | | | 2695-38RPD | | | | |
| | 2695-39 | | | 2695-39E | | | 2695-39R | | | 2695-39RP | | | 2695-39RPD | | | | |
| | 2695-40 | | | 2695-40E | | | 2695-40R | | | 2695-40RP | | | 2695-40RPD | | | | |
| | | | | | | 22-01-2062 | 2695-06R-5 | 5 | 22-01-5102 | 2695-IORP-2 | 2 | | | | | | |
| | | | | | | | | | 22-01-5044 | 2695-4RP-3 | 3 | | | | | | |
| | | | | | | | | | 22-01-5103 | 2695-IORP-5 | 5 | | | | | | |
| | | | | | | | | | 22-01-5111 | 2695-IIRP-5 | 5 | | | | | | |
| | | | | | | | | | 22-01-5104 | 2695-IORP-9 | 9 | | | | | | |

| ADD P/N 22-01-2032 EC NO: UCP 2006-1024 DRAWN BY: JORWANDARR CHECKED BY: CHEKLSCHMIDT APPROVED BY: APRIL SMITH AMJ | QUALITY SYMBOLS ▽=0 ▽=0 | GENERAL TOLERANCES (UNLESS SPECIFIED) <table border="1"> <tr><th></th><th>mm</th><th>INCH</th></tr> <tr><td>4 PLACES</td><td>± .005</td><td>± .0005</td></tr> <tr><td>3 PLACES</td><td>± .005</td><td>± .0005</td></tr> <tr><td>2 PLACES</td><td>± .005</td><td>± .0005</td></tr> <tr><td>1 PLACE</td><td>± .005</td><td>± .0005</td></tr> </table> | | mm | INCH | 4 PLACES | ± .005 | ± .0005 | 3 PLACES | ± .005 | ± .0005 | 2 PLACES | ± .005 | ± .0005 | 1 PLACE | ± .005 | ± .0005 | DIMENSION STYLE MM/IN | SCALE --- | DESIGN UNITS INCH | THIRD ANGLE PROJECTION |
|---|--|--|--------------------|---------------------------|-------------------------|---------------------|--------|---------|----------|--------|---------|----------|--------|---------|---------|--------|---------|--------------------------|--------------|----------------------|------------------------|
| | | mm | INCH | | | | | | | | | | | | | | | | | | |
| | 4 PLACES | ± .005 | ± .0005 | | | | | | | | | | | | | | | | | | |
| | 3 PLACES | ± .005 | ± .0005 | | | | | | | | | | | | | | | | | | |
| 2 PLACES | ± .005 | ± .0005 | | | | | | | | | | | | | | | | | | | |
| 1 PLACE | ± .005 | ± .0005 | | | | | | | | | | | | | | | | | | | |
| DRAWN BY: PEREZ-ARGUET CHECKED BY: PATEL APPROVED BY: LENZ | DATE: 1988/02/25 DATE: 1988/02/25 DATE: 1988/02/25 | TITLE (2.54)/100 HOUSING FOR KK CRIMP TYPE TERMINALS 2695 SERIES DRAWING | MOLEX INCORPORATED | MATERIAL NO. SEE CHART | DOCUMENT NO. SD-2695 | SHEET NO. 2 OF 3 | | | | | | | | | | | | | | | |
| DRAFT WHERE APPLICABLE MUST REMAIN WITHIN DIMENSIONS | | | | | | | | | | | | | | | | | | | | | |
| THIS DRAWING CONTAINS INFORMATION THAT IS PROPRIETARY TO MOLEX INCORPORATED AND SHOULD NOT BE USED WITHOUT WRITTEN PERMISSION | | | | | | | | | | | | | | | | | | | | | |

| 2695-NC* | | | | | | | | | | | | | | | | | |
|----------|----------|-------|----------|----------|-------|----------|----------|-------|----------|----------|-------|----------|----------|-------|----------|----------|-------|
| PART NO. | ENG. NO. | VOIDS | PART NO. | ENG. NO. | VOIDS | PART NO. | ENG. NO. | VOIDS | PART NO. | ENG. NO. | VOIDS | PART NO. | ENG. NO. | VOIDS | PART NO. | ENG. NO. | VOIDS |
| N/A | 2695-1C | | | | | | | | | | | | | | | | |
| | 2695-2C | | | | | | | | | | | | | | | | |
| | 2695-3C | | | | | | | | | | | | | | | | |
| | 2695-4C | | | | | | | | | | | | | | | | |
| | 2695-5C | | | | | | | | | | | | | | | | |
| | 2695-6C | | | | | | | | | | | | | | | | |
| | 2695-7C | | | | | | | | | | | | | | | | |
| | 2695-8C | | | | | | | | | | | | | | | | |
| | 2695-9C | | | | | | | | | | | | | | | | |
| | 2695-10C | | | | | | | | | | | | | | | | |
| | 2695-11C | | | | | | | | | | | | | | | | |
| | 2695-12C | | | | | | | | | | | | | | | | |
| | 2695-13C | | | | | | | | | | | | | | | | |
| | 2695-14C | | | | | | | | | | | | | | | | |
| | 2695-15C | | | | | | | | | | | | | | | | |
| | 2695-16C | | | | | | | | | | | | | | | | |
| | 2695-17C | | | | | | | | | | | | | | | | |
| | 2695-18C | | | | | | | | | | | | | | | | |
| | 2695-19C | | | | | | | | | | | | | | | | |
| | 2695-20C | | | | | | | | | | | | | | | | |
| | 2695-21C | | | | | | | | | | | | | | | | |
| | 2695-22C | | | | | | | | | | | | | | | | |
| | 2695-23C | | | | | | | | | | | | | | | | |
| | 2695-24C | | | | | | | | | | | | | | | | |
| | 2695-25C | | | | | | | | | | | | | | | | |
| | 2695-26C | | | | | | | | | | | | | | | | |
| | 2695-27C | | | | | | | | | | | | | | | | |
| | 2695-28C | | | | | | | | | | | | | | | | |
| | 2695-29C | | | | | | | | | | | | | | | | |
| | 2695-30C | | | | | | | | | | | | | | | | |
| | 2695-31C | | | | | | | | | | | | | | | | |
| | 2695-32C | | | | | | | | | | | | | | | | |
| | 2695-33C | | | | | | | | | | | | | | | | |
| | 2695-34C | | | | | | | | | | | | | | | | |
| | 2695-35C | | | | | | | | | | | | | | | | |
| | 2695-36C | | | | | | | | | | | | | | | | |
| | 2695-37C | | | | | | | | | | | | | | | | |
| | 2695-38C | | | | | | | | | | | | | | | | |
| | 2695-39C | | | | | | | | | | | | | | | | |
| | 2695-40C | | | | | | | | | | | | | | | | |

| | | | | | | | | | |
|---|--------------------------------------|---|------------|---------------------------------|--------------------|---|-------------------------|------------------------|--|
| UPDATE TITLE BLOCK DEC NO: UCP2006-1024 DRAWN BY: 2005/11/01 CHECKED BY: 2005/11/02 APPROVED BY: 2005/11/02 AMS | QUALITY SYMBOLS ▽=0 ▽=0 | GENERAL TOLERANCES (UNLESS SPECIFIED) | | DIMENSION STYLE MM/IN | | SCALE --- | DESIGN UNITS INCH | THIRD ANGLE PROJECTION | |
| | | 4 PLACES ± --- ± --- 3 PLACES ± --- ± --- 2 PLACES ± --- ± --- 1 PLACE ± --- ± --- | mm INCH | DRAWN BY SAMIEC | DATE 1989/10/30 | TITLE (2.54)/100 HOUSING FOR KK CRIMP TYPE TERMINALS 2695 SERIES DRAWING | | | |
| | | ANGULAR ±1/2° | | CHECKED BY PATEL | DATE 1989/10/30 | MOLEX INCORPORATED | | | |
| | | DRAFT WHERE APPLICABLE MUST REMAIN WITHIN DIMENSIONS | | APPROVED BY LENZ | DATE 1989/10/30 | MATERIAL NO. SEE CHART | DOCUMENT NO. SD-2695 | SHEET NO. 3 OF 3 | |