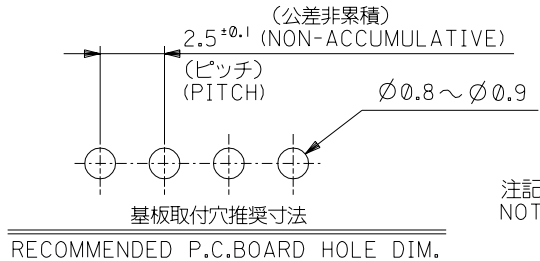
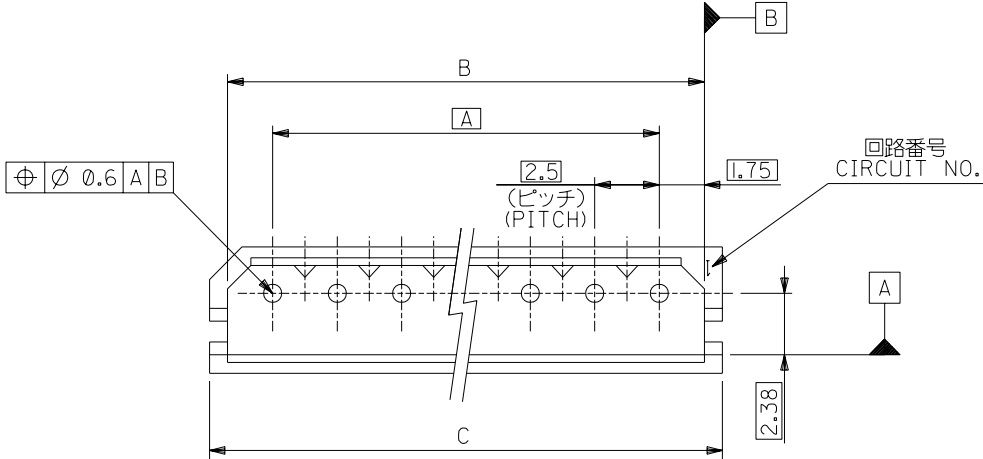
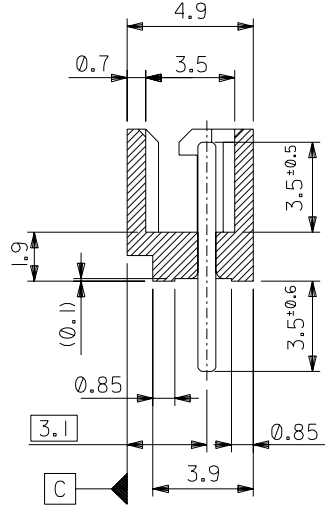
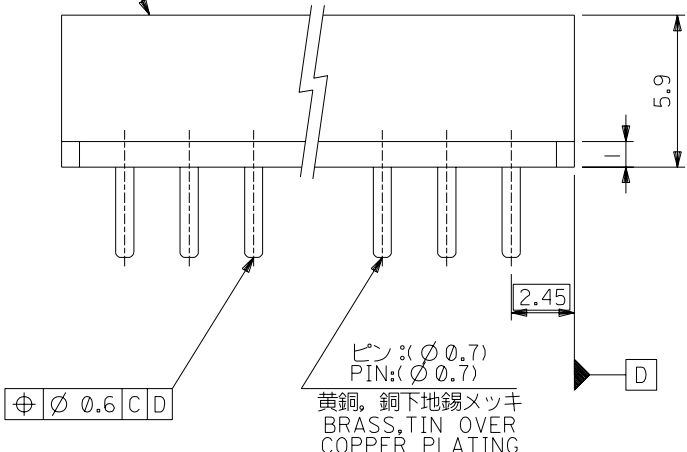


DWG. NO. SD-5267-NA



注記  
NOTES:  
1. 嵌合相手: 5264 シリーズ  
MATES WITH: 5264 SERIES.

ウエハー: 66ナイロン。ガラス入り, UL 94V-0  
WAFER: 66NYLON, GLASS REINFORCED, UL 94V-0



|      |      |      |            |          |                  |
|------|------|------|------------|----------|------------------|
| 39.9 | 38.5 | 35   | 22-03-5155 | 5267-15A | 15               |
| 37.4 | 36   | 32.5 | -5145      | -14A     | 14               |
| 34.9 | 33.5 | 30   | -5135      | -13A     | 13               |
| 32.4 | 31   | 27.5 | -5125      | -12A     | 12               |
| 29.9 | 28.5 | 25   | -5115      | -11A     | 11               |
| 27.4 | 26   | 22.5 | -5105      | -10A     | 10               |
| 24.9 | 23.5 | 20   | -5095      | -09A     | 9                |
| 22.4 | 21   | 17.5 | -5085      | -08A     | 8                |
| 19.9 | 18.5 | 15   | -5075      | -07A     | 7                |
| 17.4 | 16   | 12.5 | -5065      | -06A     | 6                |
| 14.9 | 13.5 | 10   | -5055      | -05A     | 5                |
| 12.4 | 11   | 7.5  | -5045      | -04A     | 4                |
| 9.9  | 8.5  | 5    | -5035      | -03A     | 3                |
| 7.4  | 6    | 2.5  | 22-03-5025 | 5267-02A | 2                |
| C    | B    | A    | EDP NO.    | ENG. NO. | 極数<br>NO OF CKT. |

|                            |       |           |                         |             |            |                         |                      |                                                                                                                 |
|----------------------------|-------|-----------|-------------------------|-------------|------------|-------------------------|----------------------|-----------------------------------------------------------------------------------------------------------------|
| 角度 ANGLE                   | ±3°   |           |                         |             |            | 材料<br>MATERIAL          | — / —                | MOLEX-JAPAN CO., LTD.<br>日本モレックス株式会社<br>REVISE ONLY ON CAD SYSTEM<br>TITLE 名称<br>2.5 LOW PROFILE<br>WAFER ASS'Y |
| 30以上<br>OVER               | +0.3  | B         | 変更<br>REVISED (JC60688) | n.h         | 96/3/26    | 仕上げ<br>FINISH           | — / —                |                                                                                                                 |
| 10以上<br>OVER 30<br>UNDER   | +0.25 | A         | 変更<br>(J10590)          | K.T         | 91/7/26    | 適用電線範囲<br>WIRE RANGE    | — / —                |                                                                                                                 |
| 10<br>UNDER                | +0.2  | 0         | 新規作成 (J80546)           | Y.M         | 96/20/88   | 被覆外径<br>INS. RANGE      | — / —                |                                                                                                                 |
| 一般公差<br>GENERAL TOLERANCES |       | 記号<br>LTR | 変更内容<br>REVISION RECORD | DR.<br>CHK. | 日付<br>DATE | DRAWN BY<br>Y.MIZUNO    | CHK'D BY<br>Y.MIZUNO | DWG. NO.<br>SD-5267-NA                                                                                          |
|                            |       |           |                         |             |            | APP'D BY<br>M.FUKUSHIMA | 尺度<br>SCALE 5:1      | REV<br>B                                                                                                        |