

## FEATURES AND SPECIFICATIONS

### Features and Benefits

- Sizes 2 to 25 circuits
- End-to-end stackable
- See 42625 Series for high temperature version
- Thicker board hooks available

### Reference Information

Product Specification: PS-10-07

Packaging: Tray

UL File No.: E29179

CSA File No.: LR19980

Mates With: 4030, 4094, 4380, 42152, 42153, 42375,

42376 and 42377 headers and .025" square pins

Designed In: Inches

### Electrical

Voltage: 250V

Current: 2.5A max.\*

Contact Resistance: 20mΩ max.

Dielectric Withstanding Voltage: 1500V AC

Insulation Resistance: 500K MΩ min.

### Mechanical

Mating Force: 199g max.

Unmating Force: 57g min.

### Physical

Housing: Nylon, UL 94V-0

Contact: Brass (contact Molex for Phosphor Bronze)

Plating: See Table

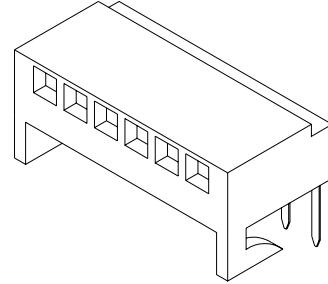
Operating Temperature: 0 to +75°C



# 2.54mm (.100") Pitch KK<sup>®</sup> PC Board Connector

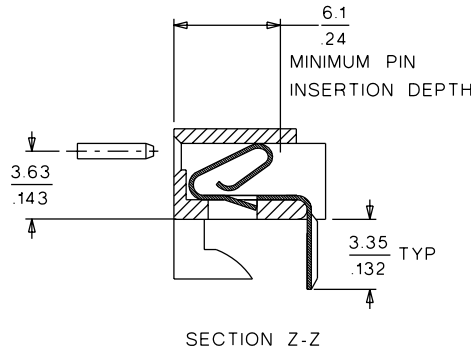
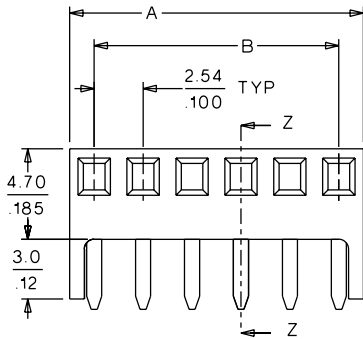
## 4455

## Right Angle

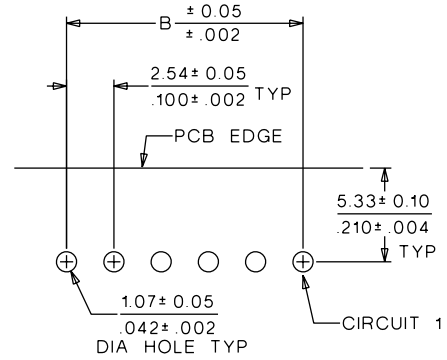


2.54mm (.100") Pitch

## CATALOG DRAWING (FOR REFERENCE ONLY)

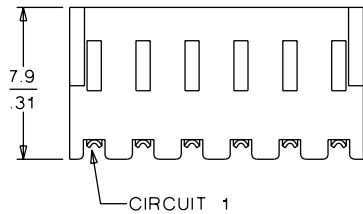


<b>Polarizing Key 4161-1</b>	<b>Order No.</b> 15-04-9209
------------------------------	--------------------------------



PCB LAYOUT: COMPONENT SIDE  
RECOMMENDED PCB THICKNESS:

1.57 ± 0.18  
.062 ± .002



## ORDERING INFORMATION AND DIMENSIONS

Circuits	Order No.			Dimension	
	Tin	Gold	Select Gold	A	B
2	• 22-15-2026	• 22-16-2021	• 22-16-2020	4.98 (.196)	2.54 (.100)
3	• 22-15-2036	• 22-16-2031	• 22-16-2030	7.52 (.296)	5.08 (.200)
4	• 22-15-2046	• 22-16-2041	• 22-16-2040	10.06 (.396)	7.62 (.300)
5	• 22-15-2056	• 22-16-2051	• 22-16-2050	12.60 (.496)	10.16 (.400)
6	• 22-15-2066	• 22-16-2061	• 22-16-2060	15.14 (.596)	12.70 (.500)
7	• 22-15-2076	• 22-16-2071	• 22-16-2070	17.68 (.696)	15.24 (.600)
8	• 22-15-2086	• 22-16-2081	• 22-16-2080	20.22 (.796)	17.78 (.700)
9	• 22-15-2096	• 22-16-2091	• 22-16-2090	22.76 (.896)	20.32 (.800)
10	• 22-15-2106	• 22-16-2101	• 22-16-2100	25.30 (.996)	22.86 (.900)
11	• 22-15-2116	• 22-16-2111	• 22-16-2110	27.84 (1.096)	25.40 (1.000)
12	• 22-15-2126	• 22-16-2121	• 22-16-2120	30.38 (1.196)	27.94 (1.100)
13	• 22-15-2136	• 22-16-2131	• 22-16-2130	32.92 (1.296)	30.48 (1.200)

Circuits	Order No.			Dimension	
	Tin	Gold	Select Gold	A	B
14	• 22-15-2146	• 22-16-2141	• 22-16-2140	35.46 (1.396)	33.02 (1.300)
15	• 22-15-2156	• 22-16-2151	• 22-16-2150	38.00 (1.496)	35.56 (1.400)
16	• 22-15-2166	• 22-16-2161	• 22-16-2160	40.54 (1.596)	38.10 (1.500)
17	• 22-15-2176	• 22-16-2171	• 22-16-2170	43.08 (1.696)	40.64 (1.600)
18	• 22-15-2186	• 22-16-2181	• 22-16-2180	45.62 (1.796)	43.18 (1.700)
19	• 22-15-2196	• 22-16-2191	• 22-16-2190	48.16 (1.896)	45.72 (1.800)
20	• 22-15-2206	• 22-16-2201	• 22-16-2200	50.70 (1.996)	48.26 (1.900)
21	• 22-15-2216	• 22-16-2211	• 22-16-2210	53.24 (2.096)	50.80 (2.000)
22	• 22-15-2226	• 22-16-2221	• 22-16-2220	55.76 (2.196)	53.34 (2.100)
23	• 22-15-2236	• 22-16-2231	• 22-16-2230	58.32 (2.296)	55.88 (2.200)
24	• 22-15-2246	• 22-16-2241	• 22-16-2240	60.86 (2.396)	58.42 (2.300)
25	• 22-15-2256	• 22-16-2251	• 22-16-2250	63.40 (2.496)	60.96 (2.400)

• US Standard Product, available through Molex franchised distributors

\* Current rating is dependent upon PCB traces, Copper weight, solder, etc. (contact Molex for more information)