

FEATURES AND SPECIFICATIONS

Features and Benefits

- Sizes 2 to 25 circuits
- End-to-end stackable
- Mating header must be long enough to accommodate board thickness
- See 42625 Series for high temperature version
- Thicker board hooks available

Reference Information

Product Specification: PS-10-07

Packaging: Tray

UL File No.: E29179

CSA File No.: LR19980

Mates With: 4030, 4094, 4380, 42152, 42153, 42375,

42376 and 42377 headers and .025" square pins

Designed In: Inches

Electrical

Voltage: 250V

Current: 2.5A max.*

Contact Resistance: 20mΩ max.

Dielectric Withstanding Voltage: 1500V AC

Insulation Resistance: 500K MΩ min.

Mechanical

Mating Force: 199g max.

Unmating Force: 57g min.

Physical

Housing: Nylon, UL 94V-0

Contact: Brass (contact Molex for Phosphor Bronze)

Plating: See Table

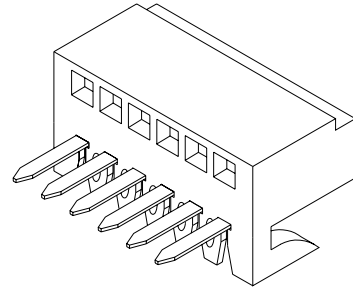
Operating Temperature: 0 to +75°C

molex® **2.54mm (.100") Pitch**
KK®

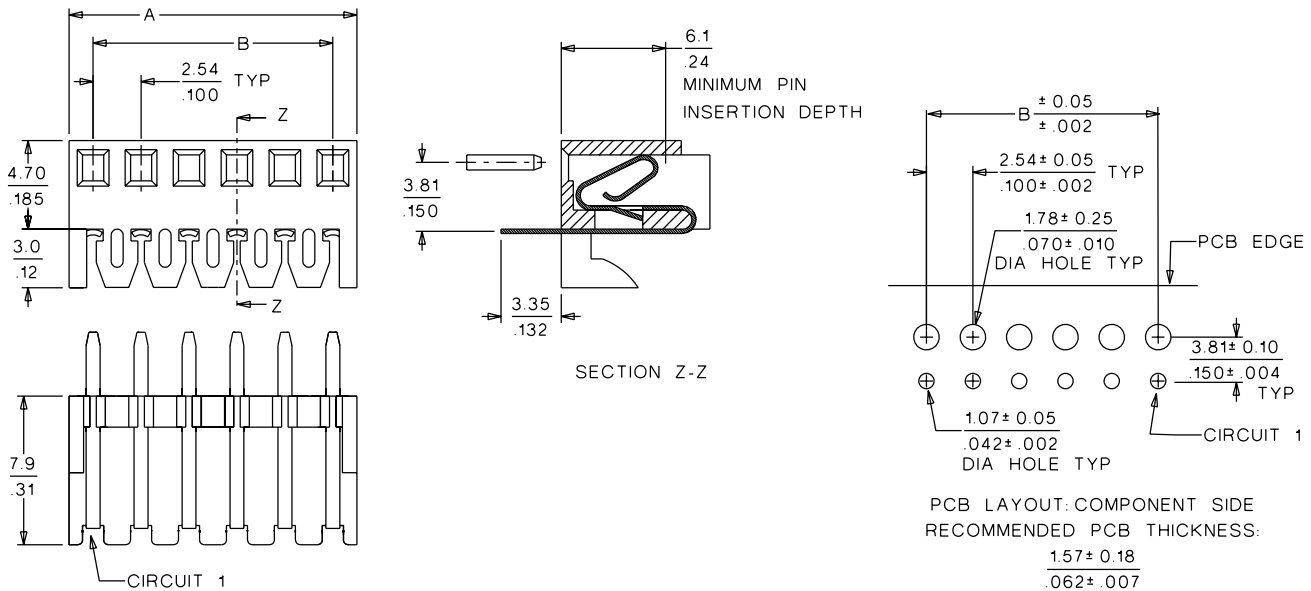
PC Board Connector

4455

Bottom Entry



CATALOG DRAWING (FOR REFERENCE ONLY)



ORDERING INFORMATION AND DIMENSIONS

Circuits	Order No.			Dimension	
	Tin	Gold	Select Gold	A	B
2	• 22-14-2024	• 22-17-2022	• 22-17-3022	4.98 (.196)	2.54 (.100)
3	• 22-14-2034	• 22-17-2032	• 22-17-3032	7.52 (.296)	5.08 (.200)
4	• 22-14-2044	• 22-17-2042	• 22-17-3042	10.06 (.396)	7.62 (.300)
5	• 22-14-2054	• 22-17-2052	• 22-17-3052	12.60 (.496)	10.16 (.400)
6	• 22-14-2064	• 22-17-2062	• 22-17-3062	15.14 (.596)	12.70 (.500)
7	• 22-14-2074	• 22-17-2072	• 22-17-3072	17.68 (.696)	15.24 (.600)
8	• 22-14-2084	• 22-17-2082	• 22-17-3082	20.22 (.796)	17.78 (.700)
9	• 22-14-2094	• 22-17-2092	• 22-17-3092	22.76 (.896)	20.32 (.800)
10	• 22-14-2104	• 22-17-2102	• 22-17-3102	25.30 (.996)	22.86 (.900)
11	• 22-14-2114	• 22-17-2112	• 22-17-3112	27.84 (1.096)	25.40 (1.000)
12	• 22-14-2124	• 22-17-2122	• 22-17-3122	30.38 (1.196)	27.94 (1.100)
13	• 22-14-2134	• 22-17-2132	• 22-17-3132	32.92 (1.296)	30.48 (1.200)

Circuits	Order No.			Dimension	
	Tin	Gold	Select Gold	A	B
14	• 22-14-2144	• 22-17-2142	• 22-17-3142	35.46 (1.396)	33.02 (1.300)
15	• 22-14-2154	• 22-17-2152	• 22-17-3152	38.00 (1.496)	35.56 (1.400)
16	• 22-14-2164	• 22-17-2162	• 22-17-3162	40.54 (1.596)	38.10 (1.500)
17	• 22-14-2174	• 22-17-2172	• 22-17-3172	43.08 (1.696)	40.64 (1.600)
18	• 22-14-2184	• 22-17-2182	• 22-17-3182	45.62 (1.796)	43.18 (1.700)
19	• 22-14-2194	• 22-17-2192	• 22-17-3192	48.16 (1.896)	45.72 (1.800)
20	• 22-14-2204	• 22-17-2202	• 22-17-3202	50.70 (1.996)	48.26 (1.900)
21	• 22-14-2214	• 22-17-2212	• 22-17-3212	53.24 (2.096)	50.80 (2.000)
22	• 22-14-2224	• 22-17-2222	• 22-17-3222	55.76 (2.196)	53.34 (2.100)
23	• 22-14-2234	• 22-17-2232	• 22-17-3232	58.32 (2.296)	55.88 (2.200)
24	• 22-14-2244	• 22-17-2242	• 22-17-3242	60.86 (2.396)	58.42 (2.300)
25	• 22-14-2254	• 22-17-2252	• 22-17-3252	63.40 (2.496)	60.96 (2.400)

• US Standard Product, available through Molex franchised distributors

* Current rating is dependent upon PCB traces, Copper weight, solder, etc. (contact Molex for more information)