

FEATURES AND SPECIFICATIONS

Features and Benefits

- Sizes 2 to 25 circuits
- End-to-end stackable
- Also available without board hooks (see table below)
- See 42625 Series for high temperature version
- Thicker board hooks available

Reference Information

Product Specification: PS-10-07

Packaging: Tray

UL File No.: E29179

CSA File No.: LR19980

Mates With: 4030, 4094, 42152, 42153, 42375, 42376, 42377, 70021 and 70475 headers and .025" square pins (edge mount only)

Designed In: Inches

Electrical

Voltage: 250V

Current: 2.5A max.*

Contact Resistance: 20mΩ max.

Dielectric Withstanding Voltage: 1500V AC

Insulation Resistance: 50K MΩ min.

Mechanical

Contact Retention to Housing: 3.63kg (8 lb) min.

Mating Force: 199g max.

Unmating Force: 57g min.

Normal Force: 300g average

Physical

Housing: Nylon, UL 94V-0

Contact: Brass (contact Molex for Phosphor Bronze)

Plating: See Table

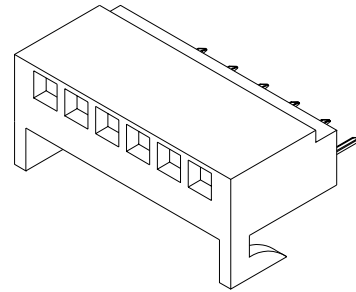
Operating Temperature: 0 to +75°C



2.54mm (.100") Pitch KK® PC Board Connector

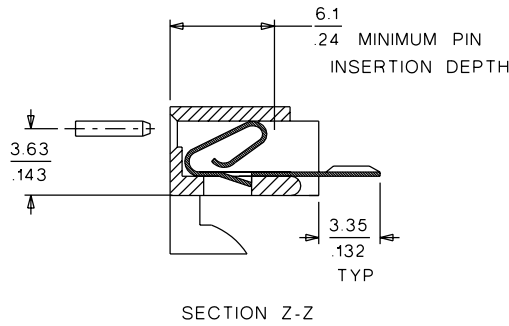
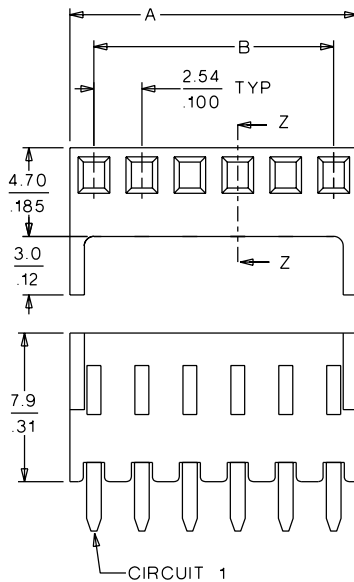
4455

Top Entry

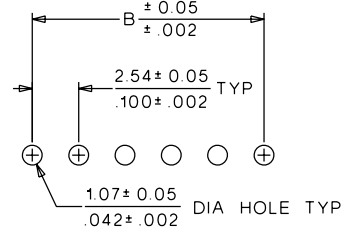


2.54mm (.100") Pitch

CATALOG DRAWING (FOR REFERENCE ONLY)



Polarizing Key 4161-1	Order No.
	15-04-9209



ORDERING INFORMATION AND DIMENSIONS

Circuits	Order No.				Dimension	
	Tin		Gold	Select Gold	A	B
	With Hooks	Without Hooks	With Hooks	With Hooks		
2	• 22-02-2025	• 22-02-7023	• 22-18-2023	• 22-18-2021	4.98 (.196)	2.54 (.100)
3	• 22-02-2035	• 22-02-7033	• 22-18-2033	• 22-18-2031	7.52 (.296)	5.08 (.200)
4	• 22-02-2045	• 22-02-7043	• 22-18-2043	• 22-18-2041	10.06 (.396)	7.62 (.300)
5	• 22-02-2055	• 22-02-7053	• 22-18-2053	• 22-18-2051	12.60 (.496)	10.16 (.400)
6	• 22-02-2065	• 22-02-7063	• 22-18-2063	• 22-18-2061	15.14 (.596)	12.70 (.500)
7	• 22-02-2075	• 22-02-7073	• 22-18-2073	• 22-18-2071	17.68 (.696)	15.24 (.600)
8	• 22-02-2085	• 22-02-7083	• 22-18-2083	• 22-18-2081	20.22 (.796)	17.78 (.700)
9	• 22-02-2095	• 22-02-7093	• 22-18-2093	• 22-18-2091	22.76 (.896)	20.32 (.800)
10	• 22-02-2105	• 22-02-7103	• 22-18-2103	• 22-18-2101	25.30 (.996)	22.86 (.900)
11	• 22-02-2115	• 22-02-7113	• 22-18-2113	• 22-18-2111	27.84 (1.096)	25.40 (1.000)
12	• 22-02-2125	• 22-02-7123	• 22-18-2123	• 22-18-2121	30.38 (1.196)	27.94 (1.100)
13	• 22-02-2135	• 22-02-7133	• 22-18-2133	• 22-18-2131	32.92 (1.296)	30.48 (1.200)

Circuits	Order No.				Dimension	
	Tin		Gold	Select Gold	A	B
	With Hooks	Without Hooks	With Hooks	With Hooks		
14	• 22-02-2145	• 22-02-7143	• 22-18-2143	• 22-18-2141	35.46 (1.396)	33.02 (1.300)
15	• 22-02-2155	• 22-02-7153	• 22-18-2153	• 22-18-2151	38.00 (1.496)	35.56 (1.400)
16	• 22-02-2165	• 22-02-7163	• 22-18-2163	• 22-18-2161	40.54 (1.596)	38.10 (1.500)
17	• 22-02-2175	• 22-02-7173	• 22-18-2173	• 22-18-2171	43.08 (1.696)	40.64 (1.600)
18	• 22-02-2185	• 22-02-7183	• 22-18-2183	• 22-18-2181	45.62 (1.796)	43.18 (1.700)
19	• 22-02-2195	• 22-02-7193	• 22-18-2193	• 22-18-2191	48.16 (1.896)	45.72 (1.800)
20	• 22-02-2205	• 22-02-7203	• 22-18-2203	• 22-18-2201	50.70 (1.996)	48.26 (1.900)
21	• 22-02-2215	• 22-02-7213	• 22-18-2213	• 22-18-2211	53.24 (2.096)	50.80 (2.000)
22	• 22-02-2225	• 22-02-7223	• 22-18-2223	• 22-18-2221	55.78 (2.196)	53.34 (2.100)
23	• 22-02-2235	• 22-02-7233	• 22-18-2233	• 22-18-2231	58.32 (2.296)	55.88 (2.200)
24	• 22-02-2245	• 22-02-7243	• 22-18-2243	• 22-18-2241	60.86 (2.396)	58.42 (2.300)
25	• 22-02-2255	• 22-02-7253	• 22-18-2253	• 22-18-2251	63.40 (2.496)	60.96 (2.400)

• US Standard Product, available through Molex franchised distributors

* Current rating is dependent upon PCB traces, Copper weight, solder, etc. (contact Molex for more information)