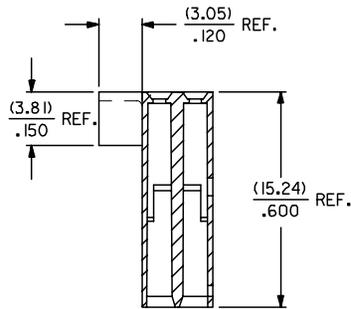
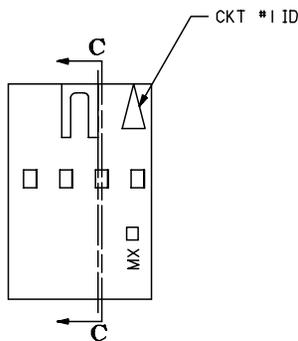
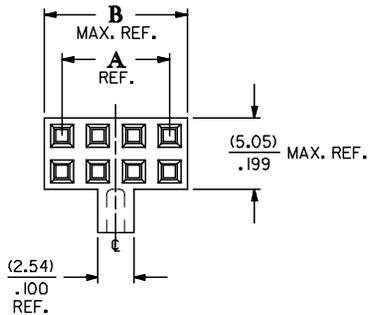


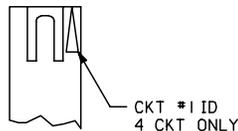
NOTES:

1. MATERIAL: G.F. POLYESTER
2. HOUSING TO BE USED WITH TERMINAL NOS. 70028, 70058, AND 71851.
3. HOUSING TO BE USED WITH (0.64)/.025 SQUARE OR ROUND PINS.
4. REFER TO MOLEX PRODUCT SPECIFICATION PS-70058.
5. PACKAGE PER PK-70450-100.
6. PARTS CONFORM TO CLASS C OF COSMETIC SPECIFICATION PS-45499-002.

OPTION "B"



SECTION C-C



CKT. SIZE	EDP. NO.	ENG. NO.	DIM "A" REF.	DIM "B" MAX. REF.
4	022-55-2042	70450-0050	(2.54) .100	(5.05) .199
6	022-55-2062	70450-0051	(5.08) .200	(7.59) .299
8	022-55-2082	70450-0052	(7.62) .300	(10.13) .399
10	022-55-2102	70450-0053	(10.16) .400	(12.67) .499
12	022-55-2122	70450-0054	(12.70) .500	(15.21) .599
14	022-55-2142	70450-0055	(15.24) .600	(17.75) .699
16	022-55-2162	70450-0056	(17.78) .700	(20.29) .799
18	022-55-2182	70450-0057	(20.32) .800	(22.83) .899
20	022-55-2202	70450-0058	(22.86) .900	(25.37) .999
22	022-55-2222	70450-0059	(25.40) 1.000	(27.91) 1.099
24	022-55-2242	70450-0060	(27.94) 1.100	(30.45) 1.199
26	022-55-2262	70450-0061	(30.48) 1.200	(32.99) 1.299
28	022-55-2282	70450-0062	(33.02) 1.300	(35.53) 1.399
30	022-55-2302	70450-0063	(35.56) 1.400	(38.07) 1.499
32	022-55-2322	70450-0064	(38.10) 1.500	(40.61) 1.599
34	022-55-2342	70450-0065	(40.64) 1.600	(43.15) 1.699
36	022-55-2362	70450-0066	(43.18) 1.700	(45.69) 1.799
38	022-55-2382	70450-0067	(45.72) 1.800	(48.23) 1.899
40	022-55-2402	70450-0068	(48.26) 1.900	(50.77) 1.999
42	022-55-2422	70450-0069	(50.80) 2.000	(53.31) 2.099
44	022-55-2442	70450-0070	(53.34) 2.100	(55.85) 2.199
46	022-55-2462	70450-0071	(55.88) 2.200	(58.39) 2.299
48	022-55-2482	70450-0072	(58.42) 2.300	(60.93) 2.399
50	022-55-2502	70450-0073	(60.96) 2.400	(63.47) 2.499
52	NOT TOOLED	70450-0074	(63.50) 2.500	(66.01) 2.599
54	NOT TOOLED	70450-0075	(66.04) 2.600	(68.55) 2.699

ADD COSMETIC SPEC EC NO: UCP2007-2009 DRAWN: JORGAN 2007/02/23 CHKD: MS BARRA 2007/02/23 APPR: SMILLER 2007/02/27	QUALITY SYMBOLS ▽=0 ▽=0	GENERAL TOLERANCES (UNLESS SPECIFIED)		DIMENSION STYLE MM/IN		SCALE 4:1	DESIGN UNITS INCH	THIRD ANGLE PROJECTION
		4 PLACES ± --- ± --- 3 PLACES ± --- ± .010 2 PLACES ± 0.25 ± .014 1 PLACE ± 0.35 ± --- ANGULAR ±1/2°	DRAWN BY MJM DATE 1986/10/22	TITLE HOUSING-CONNECTOR DUAL ROW (2.54)/.100 GRID WITH POLARIZATION KEY		MOLEX INCORPORATED		
		DRAFT WHERE APPLICABLE MUST REMAIN WITHIN DIMENSIONS	CHECKED BY MJM DATE 1986/10/22	APPROVED BY WAZ DATE 1986/10/22		MATERIAL NO. SEE CHART	DOCUMENT NO. SD-70450-0050-0075	
		SHEET NO. 1 OF 1	THIS DRAWING CONTAINS INFORMATION THAT IS PROPRIETARY TO MOLEX INCORPORATED AND SHOULD NOT BE USED WITHOUT WRITTEN PERMISSION		SHEET NO. 1 OF 1			