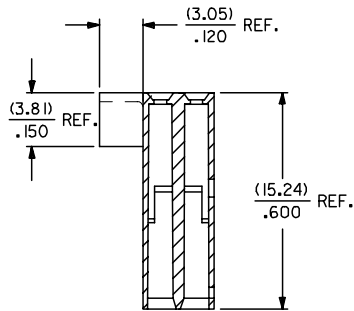
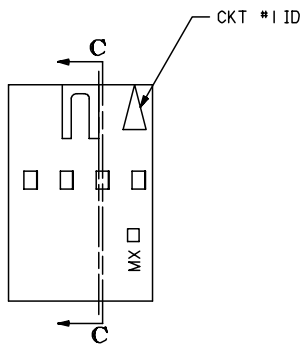
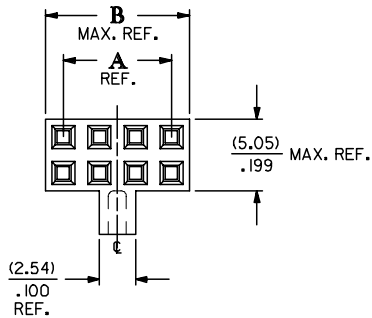


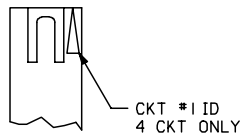
**NOTES:**

1. MATERIAL: G.F. POLYESTER
2. HOUSING TO BE USED WITH TERMINAL NOS. 70028, 70058, AND 71851.
3. HOUSING TO BE USED WITH (0.64)/.025 SQUARE OR ROUND PINS.
4. REFER TO MOLEX PRODUCT SPECIFICATION PS-70058.
5. PACKAGE PER PK-70450-100.
6. PARTS CONFORM TO CLASS C OF COSMETIC SPECIFICATION PS-45499-002.

**OPTION "B"**



**SECTION C-C**



CKT. SIZE	EDP. NO.	ENG. NO.	DIM "A" REF.	DIM "B" MAX. REF.
4	022-55-2042	70450-0050	(2.54) / .100	(5.05) / .199
6	022-55-2062	70450-0051	(5.08) / .200	(7.59) / .299
8	022-55-2082	70450-0052	(7.62) / .300	(10.13) / .399
10	022-55-2102	70450-0053	(10.16) / .400	(12.67) / .499
12	022-55-2122	70450-0054	(12.70) / .500	(15.21) / .599
14	022-55-2142	70450-0055	(15.24) / .600	(17.75) / .699
16	022-55-2162	70450-0056	(17.78) / .700	(20.29) / .799
18	022-55-2182	70450-0057	(20.32) / .800	(22.83) / .899
20	022-55-2202	70450-0058	(22.86) / .900	(25.37) / .999
22	022-55-2222	70450-0059	(25.40) / 1.000	(27.91) / 1.099
24	022-55-2242	70450-0060	(27.94) / 1.100	(30.45) / 1.199
26	022-55-2262	70450-0061	(30.48) / 1.200	(32.99) / 1.299
28	022-55-2282	70450-0062	(33.02) / 1.300	(35.53) / 1.399
30	022-55-2302	70450-0063	(35.56) / 1.400	(38.07) / 1.499
32	022-55-2322	70450-0064	(38.10) / 1.500	(40.61) / 1.599
34	022-55-2342	70450-0065	(40.64) / 1.600	(43.15) / 1.699
36	022-55-2362	70450-0066	(43.18) / 1.700	(45.69) / 1.799
38	022-55-2382	70450-0067	(45.72) / 1.800	(48.23) / 1.899
40	022-55-2402	70450-0068	(48.26) / 1.900	(50.77) / 1.999
42	022-55-2422	70450-0069	(50.80) / 2.000	(53.31) / 2.099
44	022-55-2442	70450-0070	(53.34) / 2.100	(55.85) / 2.199
46	022-55-2462	70450-0071	(55.88) / 2.200	(58.39) / 2.299
48	022-55-2482	70450-0072	(58.42) / 2.300	(60.93) / 2.399
50	022-55-2502	70450-0073	(60.96) / 2.400	(63.47) / 2.499
52	NOT TOOLED	70450-0074	(63.50) / 2.500	(66.01) / 2.599
54	NOT TOOLED	70450-0075	(66.04) / 2.600	(68.55) / 2.699

ADD COSMETIC SPEC EC NO: UCP2007-2009 DRAWN: JORGAN 2007/02/23 CHKD: MS BARRA 2007/02/23 APPR: SMILLER 2007/02/27	QUALITY SYMBOLS ▽=0 ▽=0	GENERAL TOLERANCES (UNLESS SPECIFIED)		DIMENSION STYLE MM/IN		SCALE 4:1	DESIGN UNITS INCH	THIRD ANGLE PROJECTION
		4 PLACES ± --- ± --- 3 PLACES ± --- ± .010 2 PLACES ± 0.25 ± .014 1 PLACE ± 0.35 ± --- ANGULAR ±1/2°	DRAWN BY MJM DATE 1986/10/22	TITLE HOUSING-CONNECTOR DUAL ROW (2.54)/.100 GRID WITH POLARIZATION KEY				
		DRAFT WHERE APPLICABLE MUST REMAIN WITHIN DIMENSIONS	CHECKED BY MJM DATE 1986/10/22	MOLEX INCORPORATED				
		SEE CHART	APPROVED BY WAZ DATE 1986/10/22	MATERIAL NO. SD-70450-0050-0075	DOCUMENT NO.	SHEET NO. 1 OF 1		