

FEATURES AND SPECIFICATIONS

Features and Benefits

- Sizes 4 to 50 circuits
- Polarized to mate with dual row, low profile shrouded headers

Reference Information

Product Specification: PS-70058

Packaging: Bag

UL File No.: E29179

CSA File No.: LR19980

Mates With: 70246, 70247, 87256 and 87257

Use With: 70058 and 71851 crimp terminals

Designed In: Inches

Physical

Housing: Black glass-filled polyester, UL 94V-0

Operating Temperature: -40 to +105°C



2.54mm (.100") Pitch

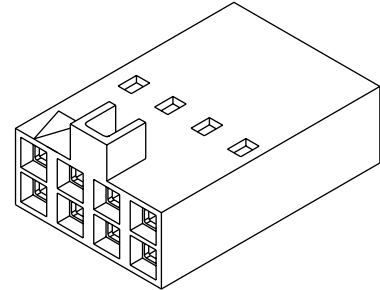
SL™

Crimp Housing

70450

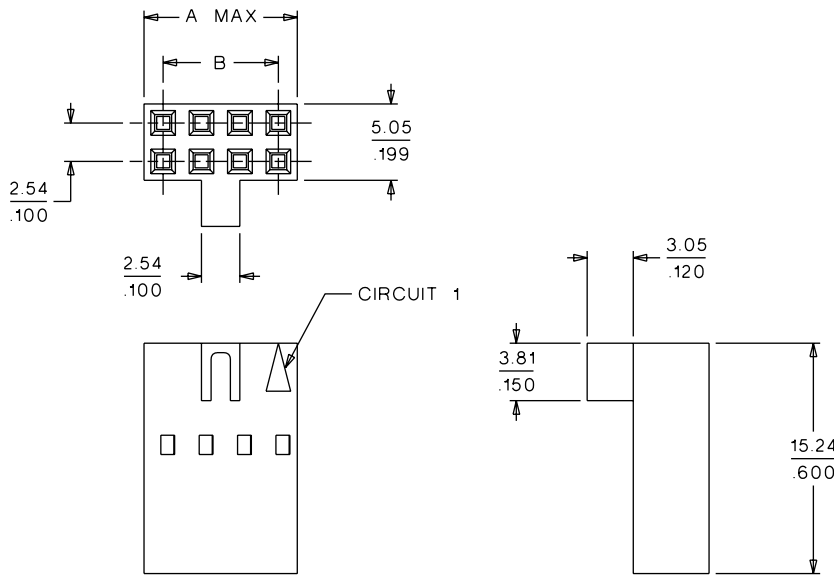
Dual Row

Version B, Polarized



CATALOG DRAWING (FOR REFERENCE ONLY)

Not For Use With C-Grid III™ Components



Note: The circuit 1 indicator for the 70450C will be superseded by the circuit 1 indicator of the 70004 and 70013 interim clips

Delivered on a carrier with 20 pieces per strip.

Actual
Size



Universal Polarizing Pin
40713-1

Order No. 15-04-0292

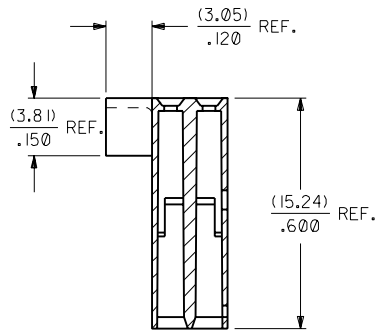
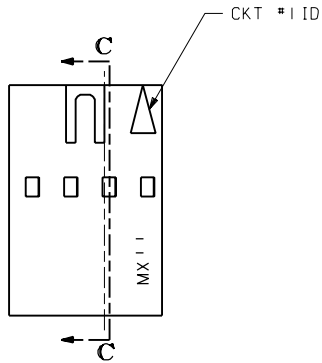
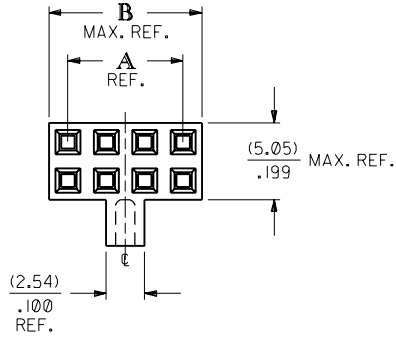
ORDERING INFORMATION AND DIMENSIONS

Circuits	Order No.	Dimension	
		A	B
4	• 22-55-2042	5.05 (.199)	2.54 (.100)
6	• 22-55-2062	7.59 (.299)	5.08 (.200)
8	• 22-55-2082	10.13 (.399)	7.62 (.300)
10	• 22-55-2102	12.67 (.499)	10.16 (.400)
12	• 22-55-2122	15.21 (.599)	12.70 (.500)
14	• 22-55-2142	17.75 (.699)	15.24 (.600)
16	• 22-55-2162	20.29 (.799)	17.78 (.700)
18	• 22-55-2182	22.83 (.899)	20.32 (.800)
20	• 22-55-2202	25.37 (.999)	22.86 (.900)
22	• 22-55-2222	27.91 (1.099)	25.40 (1.000)
24	• 22-55-2242	30.45 (1.199)	27.94 (1.100)
26	• 22-55-2262	32.99 (1.299)	30.48 (1.200)

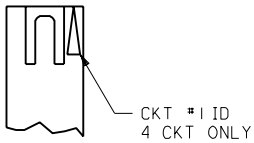
Circuits	Order No.	Dimension	
		A	B
28	• 22-55-2282	35.53 (1.399)	33.02 (1.300)
30	• 22-55-2302	38.07 (1.499)	35.56 (1.400)
32	• 22-55-2322	40.61 (1.599)	38.10 (1.500)
34	• 22-55-2342	43.15 (1.699)	40.64 (1.600)
36	• 22-55-2362	45.69 (1.799)	43.18 (1.700)
38	• 22-55-2382	48.23 (1.899)	45.72 (1.800)
40	• 22-55-2402	50.77 (1.999)	48.26 (1.900)
42	• 22-55-2422	53.31 (2.099)	50.80 (2.000)
44	• 22-55-2442	55.85 (2.199)	53.34 (2.100)
46	• 22-55-2462	58.39 (2.299)	55.88 (2.200)
48	• 22-55-2482	60.93 (2.399)	58.42 (2.300)
50	• 22-55-2502	63.47 (2.499)	60.96 (2.400)

• US Standard Product, available through Molex franchised distributors

OPTION "B"



SECTION C-C



NOTES:

1. MATERIAL: G.F. POLYESTER
2. HOUSING TO BE USED WITH TERMINAL NOS. 70028, 70058, AND 71851.
3. HOUSING TO BE USED WITH (0.64)/.025 SQUARE OR ROUND PINS.
4. REFER TO MOLEX PRODUCT SPECIFICATION PS-70058.
5. PACKAGE PER PK-70450-100.

CKT. SIZE	EDP. NO.	ENG. NO.	DIM "A" REF.	DIM "B" MAX. REF.
4	022-55-2042	70450-0050	(2.54) .100	(5.05) .199
6	022-55-2062	70450-0051	(5.08) .200	(7.59) .299
8	022-55-2082	70450-0052	(7.62) .300	(10.13) .399
10	022-55-2102	70450-0053	(10.16) .400	(12.67) .499
12	022-55-2122	70450-0054	(12.70) .500	(15.21) .599
14	022-55-2142	70450-0055	(15.24) .600	(17.75) .699
16	022-55-2162	70450-0056	(17.78) .700	(20.29) .799
18	022-55-2182	70450-0057	(20.32) .800	(22.83) .899
20	022-55-2202	70450-0058	(22.86) .900	(25.37) .999
22	022-55-2222	70450-0059	(25.40) 1.000	(27.91) 1.099
24	022-55-2242	70450-0060	(27.94) 1.100	(30.45) 1.199
26	022-55-2262	70450-0061	(30.48) 1.200	(32.99) 1.299
28	022-55-2282	70450-0062	(33.02) 1.300	(35.53) 1.399
30	022-55-2302	70450-0063	(35.56) 1.400	(38.07) 1.499
32	022-55-2322	70450-0064	(38.10) 1.500	(40.61) 1.599
34	022-55-2342	70450-0065	(40.64) 1.600	(43.15) 1.699
36	022-55-2362	70450-0066	(43.18) 1.700	(45.69) 1.799
38	022-55-2382	70450-0067	(45.72) 1.800	(48.23) 1.899
40	022-55-2402	70450-0068	(48.26) 1.900	(50.77) 1.999
42	022-55-2422	70450-0069	(50.80) 2.000	(53.31) 2.099
44	022-55-2442	70450-0070	(53.34) 2.100	(55.85) 2.199
46	022-55-2462	70450-0071	(55.88) 2.200	(58.39) 2.299
48	022-55-2482	70450-0072	(58.42) 2.300	(60.93) 2.399
50	022-55-2502	70450-0073	(60.96) 2.400	(63.47) 2.499
52	NOT TOOLED	70450-0074	(63.50) 2.500	(66.01) 2.599
54	NOT TOOLED	70450-0075	(66.04) 2.600	(68.55) 2.699

I	ADD PKG NOTE PER UDT2000-0468 SCHAFER 99/12/11	G	REVISED CKT #1 FOR 4 CKT ONLY PER ECR # U31621 01/06/94 REED	D	REVISED PER ECR # U00293 07/13/90 MCB/DJK
H	REVISED PER ECN UDT1999-0722 R.S.FOX 99/03/09	F	ADDED CKT #1 ID FOR 4 CKT ONLY PER ECR #U30676 05/04/93 BRINKMAN	C	ADDED NOTE 4 PER ECR # 10059 05/01/87 MJM/JAS
GI	REVISED ECR #U80261 MCGRATH 97/07/24	E	ADDED CKT #1 ID PER ECR # U21702 11/20/92 RB	B	REDRAWN ON CAD PER ECR # 9296 10/22/86 MJM
LTR.	REVISIONS	LTR.	REVISIONS	LTR.	REVISIONS

DIMENSIONS SHOWN (METRIC) INCH
 UNLESS OTHERWISE SPECIFIED
 TOLERANCES: ANGULAR ± 1/2°
 3 PLACE ± .006 INCH --- METRIC
 2 PLACE ± .01 ± 0.15
 1 PLACE --- ± 0.25
 DRAFT WHERE APPLICABLE MUST REMAIN WITHIN DIMENSIONS
 DRWG. NO. SD-70450-0050-0075
 FILE NAME S70450X2
 THIS DRAWING CONTAINS INFORMATION THAT IS PROPRIETARY TO MOLEX INC. AND SHOULD NOT BE USED WITHOUT WRITTEN PERMISSION.

TITLE: HOUSING - CONNECTOR DUAL ROW (2.54)/.100 GRID WITH POLARIZATION KEY
 SHEET NO. 1 OF 1
 DATE 10/22/86
 MFG. SH. REV.

SEE CHART
 SD-70450-0050-0075