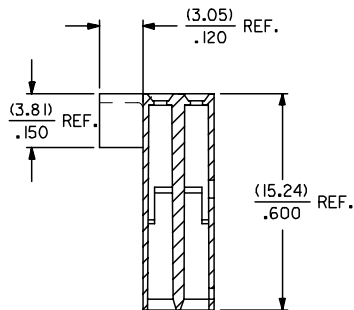
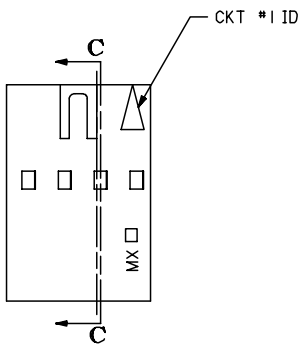
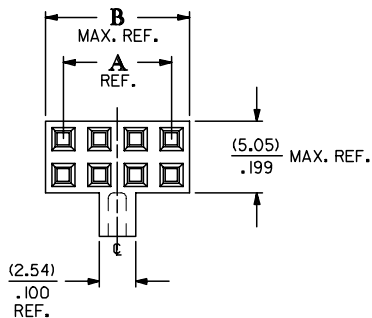


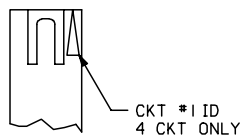
**NOTES:**

1. MATERIAL: G.F. POLYESTER
2. HOUSING TO BE USED WITH TERMINAL NOS. 70028, 70058, AND 71851.
3. HOUSING TO BE USED WITH (0.64)/.025 SQUARE OR ROUND PINS.
4. REFER TO MOLEX PRODUCT SPECIFICATION PS-70058.
5. PACKAGE PER PK-70450-100.
6. PARTS CONFORM TO CLASS C OF COSMETIC SPECIFICATION PS-45499-002.

**OPTION "B"**



**SECTION C-C**



| CKT. SIZE | EDP. NO.    | ENG. NO.   | DIM "A" REF.    | DIM "B" MAX. REF. |
|-----------|-------------|------------|-----------------|-------------------|
| 4         | 022-55-2042 | 70450-0050 | (2.54) / .100   | (5.05) / .199     |
| 6         | 022-55-2062 | 70450-0051 | (5.08) / .200   | (7.59) / .299     |
| 8         | 022-55-2082 | 70450-0052 | (7.62) / .300   | (10.13) / .399    |
| 10        | 022-55-2102 | 70450-0053 | (10.16) / .400  | (12.67) / .499    |
| 12        | 022-55-2122 | 70450-0054 | (12.70) / .500  | (15.21) / .599    |
| 14        | 022-55-2142 | 70450-0055 | (15.24) / .600  | (17.75) / .699    |
| 16        | 022-55-2162 | 70450-0056 | (17.78) / .700  | (20.29) / .799    |
| 18        | 022-55-2182 | 70450-0057 | (20.32) / .800  | (22.83) / .899    |
| 20        | 022-55-2202 | 70450-0058 | (22.86) / .900  | (25.37) / .999    |
| 22        | 022-55-2222 | 70450-0059 | (25.40) / 1.000 | (27.91) / 1.099   |
| 24        | 022-55-2242 | 70450-0060 | (27.94) / 1.100 | (30.45) / 1.199   |
| 26        | 022-55-2262 | 70450-0061 | (30.48) / 1.200 | (32.99) / 1.299   |
| 28        | 022-55-2282 | 70450-0062 | (33.02) / 1.300 | (35.53) / 1.399   |
| 30        | 022-55-2302 | 70450-0063 | (35.56) / 1.400 | (38.07) / 1.499   |
| 32        | 022-55-2322 | 70450-0064 | (38.10) / 1.500 | (40.61) / 1.599   |
| 34        | 022-55-2342 | 70450-0065 | (40.64) / 1.600 | (43.15) / 1.699   |
| 36        | 022-55-2362 | 70450-0066 | (43.18) / 1.700 | (45.69) / 1.799   |
| 38        | 022-55-2382 | 70450-0067 | (45.72) / 1.800 | (48.23) / 1.899   |
| 40        | 022-55-2402 | 70450-0068 | (48.26) / 1.900 | (50.77) / 1.999   |
| 42        | 022-55-2422 | 70450-0069 | (50.80) / 2.000 | (53.31) / 2.099   |
| 44        | 022-55-2442 | 70450-0070 | (53.34) / 2.100 | (55.85) / 2.199   |
| 46        | 022-55-2462 | 70450-0071 | (55.88) / 2.200 | (58.39) / 2.299   |
| 48        | 022-55-2482 | 70450-0072 | (58.42) / 2.300 | (60.93) / 2.399   |
| 50        | 022-55-2502 | 70450-0073 | (60.96) / 2.400 | (63.47) / 2.499   |
| 52        | NOT TOOLED  | 70450-0074 | (63.50) / 2.500 | (66.01) / 2.599   |
| 54        | NOT TOOLED  | 70450-0075 | (66.04) / 2.600 | (68.55) / 2.699   |

|   |                               |  |   |  |                     |              |                      |                        |  |
|---|-------------------------------|--|---|--|---------------------|--------------|----------------------|------------------------|--|
| ADD COSMETIC SPEC<br>EC NO: UCP2007-2009<br>DRAWN: JORGAN 2007/02/23<br>CHKD: MS BARRA 2007/02/23<br>APPR: SMILLER 2007/02/27 | QUALITY SYMBOLS<br>▽=0<br>▽=0 | GENERAL TOLERANCES (UNLESS SPECIFIED)  |   | DIMENSION STYLE<br>MM/IN   |                     | SCALE<br>4:1 | DESIGN UNITS<br>INCH | THIRD ANGLE PROJECTION |  |
|   |                               | 4 PLACES ± --- ± ---<br>3 PLACES ± --- ± .010<br>2 PLACES ± 0.25 ± .014<br>1 PLACE ± 0.35 ± ---<br>ANGULAR ±1/2° | DRAWN BY<br>MJM<br>DATE<br>1986/10/22   | TITLE<br>HOUSING-CONNECTOR DUAL ROW (2.54)/.100 GRID WITH POLARIZATION KEY |                     |              |                      |                        |  |
|   |                               | DRAFT WHERE APPLICABLE MUST REMAIN WITHIN DIMENSIONS   | CHECKED BY<br>MJM<br>DATE<br>1986/10/22 | APPROVED BY<br>WAZ<br>DATE<br>1986/10/22                                   |                     |              |                      |                        |  |
|   |                               | MATERIAL NO.<br>SEE CHART  | DOCUMENT NO.<br>SD-70450-0050-0075      |  | SHEET NO.<br>1 OF 1 |              |                      |                        |  |