

TABLE OF CONTENTS	
SHEET NO.	SHEET DESCRIPTION
1	NOTES AND BOM
2	CONFIGURATIONS
3-4	KEY CONFIGURATIONS
5	BLADE SEALED ASSEMBLY
6	SYSTEM PACKAGING
7	BACKSHELL NOTES
8	BACKSHELL
9	BACKSHELL CONFIGURATIONS

NOTES: VALID UNLESS OTHERWISE SPECIFIED

1. GENERAL:  
a. APPLICATION SPECIFICATION SEE: AS-33472-100  
-CONTAINS: PRODUCT INTRODUCTION, PRODUCT SUMMARY, CONNECTOR ASSEMBLY, PACKAGING INFORMATION, CONNECTOR MATING, SERVICE INSTRUCTIONS, ELECTRICAL CONTINUITY CHECKING, CRIMPING, AND TROUBLESHOOTING.  
-DESIGNED TO MATE WITH RECEPTACLE SEALED ASSEMBLY AS SPECIFIED IN THE MATING CONNECTOR DRAWINGS CHART.  
\*DENOTES DRAWINGS THAT CAN BE ACCESSED AT <http://ewcap.uscarteams.org/>.  
-ASSEMBLY SHIPPED WITH PLR IN PRE-LOCK POSITION (SEE PLR PRE-LOCK VIEW SHEET 5).

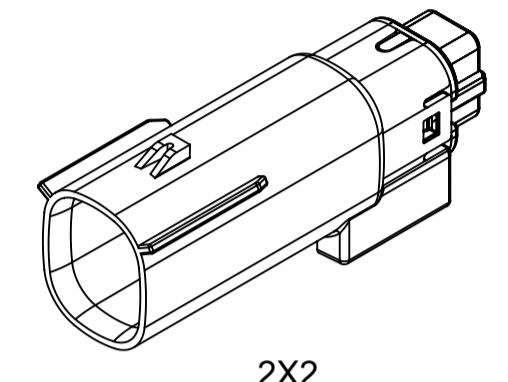
b. PRODUCT SPECIFICATION SEE:  
-STANDARD CONFIGURATION: PS-33472-000  
-UL V0 CONFIGURATION: TBD  
CONTAINS: PRODUCT INTRODUCTION, PRODUCT SUMMARY, RATINGS (CURRENT, TEMPERATURE, SEALING, AND FLAMMABILITY), TERMINALS, WIRE DIAMETER RANGE, PRODUCT VALIDATION, AND PRODUCT DEVIATIONS.

c. PACKAGING SPECIFICATION PER MOLEX DRAWING: PK-31300-635  
d. PARTS MUST BE IN COMPLIANCE TO MOLEX CHEMICAL SUBSTANCES FOR PRODUCTS AND PACKAGING SPECIFICATION: QEHS-699000-300  
e. DATA MUST BE SUBMITTED UNDER THE MOLEX PART NUMBER TO IMDS (COMPANY ID#13255)

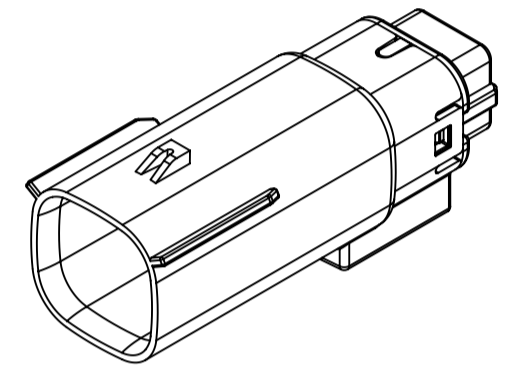
2. DESIGN - MATERIALS:  
a. FOR BILL OF MATERIALS SEE:  
-STANDARD CONFIGURATION: SD-33482-0002  
-UL V0 CONFIGURATION: SD-160084-0002

3. DESIGN - GEOMETRY:  
a. THE 3-D CAD DATA IS BASIC (WITHOUT TOLERANCE) AND MASTER FOR THIS PART WITH THE EXCEPTION OF UNDERLINED DIMENSIONS. DIMENSIONAL INFORMATION NOT SHOWN ON THIS DRAWING IS DEFINED BY THE DATA FILE AT ITS LATEST REVISION.  
b. GEOMETRIC DIMENSIONS AND TOLERANCES PER ASME Y14.5M-2009  
c. EDGES AND UNDIMENSIONED DETAILS PER ISO13715  
d. CORNERS SHOWN AS SHARP TO BE R 0.2 MAX.  
e. LETTERING SHALL BE 0.15 MAX RAISED IN 0.25 MAX RECESS PAD. THIS INCLUDES RECYCLING CODE, CAVITY ID, VENDOR IDENTIFICATION, AND CUSTOMER MATERIAL NUMBER.  
f. VISUAL DEFECTS SHALL MEET COSMETIC STANDARD PS-45499-002 (Class B).  
g. LASER MARKING:  
1. PART NUMBER  
2. DAY OF THE YEAR  
3. SHIFT  
4. YEAR  
FOR ADDITIONAL INFORMATION SEE SECTION 5 UNDER PROCEDURES IN ES-34735-008.

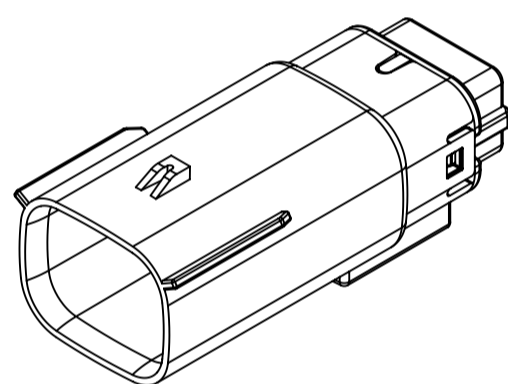
MATING CONNECTOR DRAWINGS	
DESCRIPTION	MOLEX INLINE
2X2	SD-33472-0001
2X3	SD-33472-0001
2X4	SD-33472-0001
2X6	SD-33472-0001
2X8	SD-33472-0001
2X10	SD-33472-0001



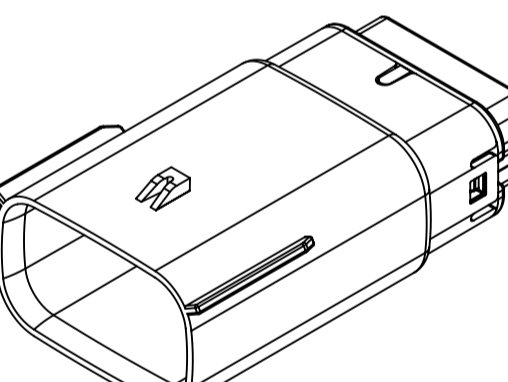
2X2



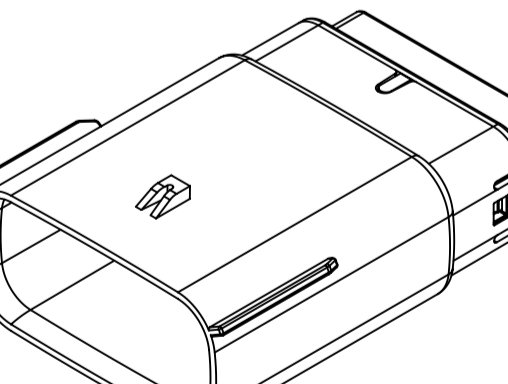
2X3



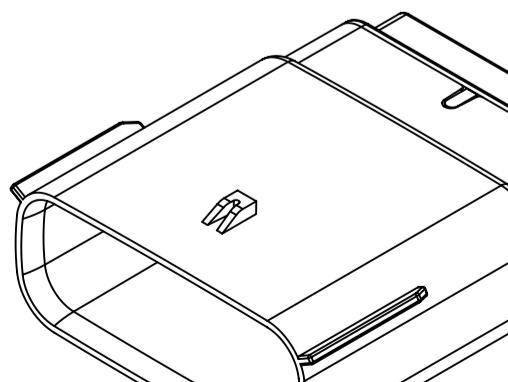
2X4



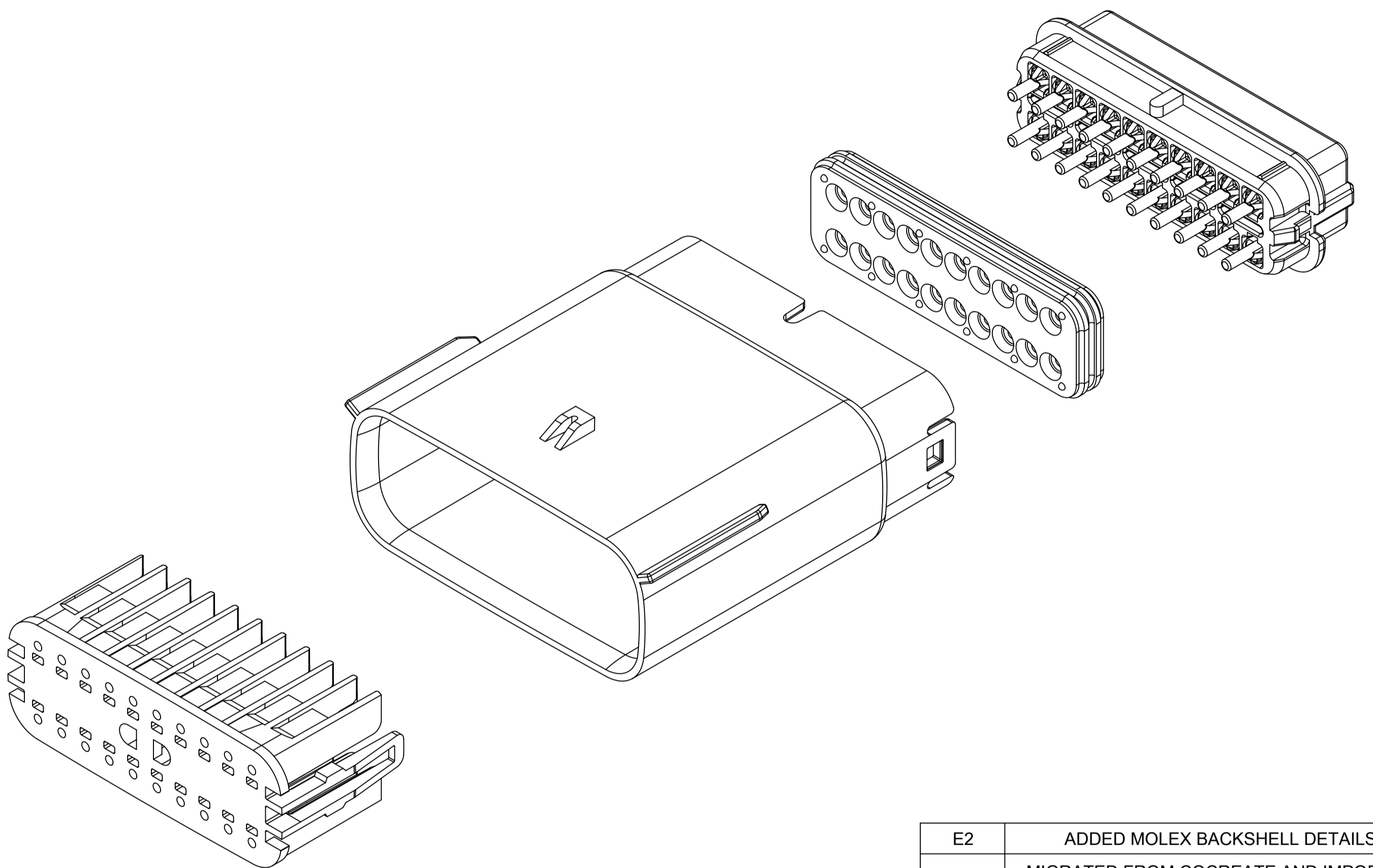
2X6



2X8



2X10

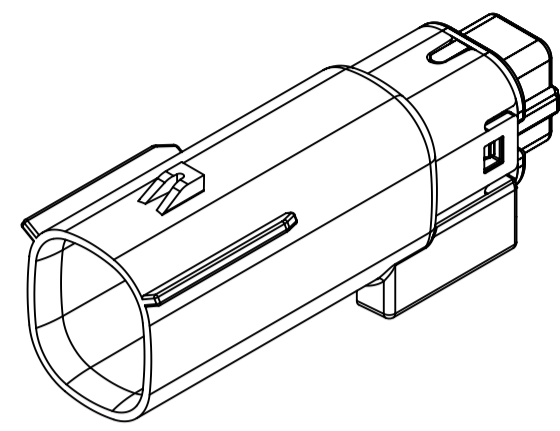


REV	REV DESCRIPTION
E2	ADDED MOLEX BACKSHELL DETAILS
E1	MIGRATED FROM COCREATE AND IMPORTED DXF FILES
E	ADDED CHARTED DIMENSIONS FOR 2X2, 2X4, 2X6 AND 2X8 WITH CLIPSLLOT
D	MINOR GEOMETRY CHANGE FOR UL V0
C3	ADD 2X4
C2	ADD 2X3
C1	ADD UL V0 CONFIGURATIONS
C	ADD 2X8
B1	ADD 2X6 BACKSHELL INFO
B	ADD 2X6
A	INITIAL RELEASE
REV	REV DESCRIPTION

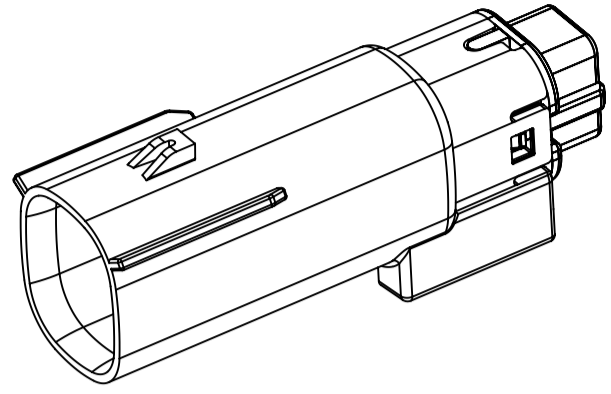
INSPECTION NUMBER LOG	
LAST NUMBER:	9
ADDED:	
REMOVED:	

<b>SYMBOLS</b> = 0 mm = 0 GENERAL TOLERANCES (UNLESS SPECIFIED) = 0 ANGULAR TOL ± 1.0° = 0 4 PLACES ± = 0 3 PLACES ± = 0 2 PLACES ± 0.1 = 0 1 PLACE ± 0.2 = 0 0 PLACES ± = 0 DRAFT WHERE APPLICABLE MUST REMAIN WITHIN DIMENSIONS	THIS DRAWING CONTAINS INFORMATION THAT IS PROPRIETARY TO MOLEX ELECTRONIC TECHNOLOGIES, LLC AND SHOULD NOT BE USED WITHOUT WRITTEN PERMISSION		<b>CURRENT REV DESC:</b> EC NO: 171650 DRWN: PMANJUNATHAC 2018/01/03 CHK'D: MVANSLAMBROU 2018/02/16 APPR: MVANSLAMBROU 2018/02/16		 MX150 BLADE DUAL ROW SEALED ASSEMBLY MAT SEAL				
	<b>INITIAL REVISION:</b> DRWN: APROFFITT 2014/04/28 APPR: VKOSHY 2014/05/14		DOCUMENT NUMBER <b>SD-33482-0001</b>				DOC TYPE PSD	DOC PART 001	REVISION <b>E2</b>
	MATERIAL NUMBER <b>33482</b>		DRAWING <b>A1-SIZE</b>		SERIES <b>33482</b>		CUSTOMER GENERAL MARKET		SHEET NUMBER <b>1 OF 11</b>
	THIRD ANGLE PROJECTION 		DRAFT WHERE APPLICABLE MUST REMAIN WITHIN DIMENSIONS		MATERIAL NUMBER <b>33482</b>		CUSTOMER GENERAL MARKET		SHEET NUMBER <b>1 OF 11</b>

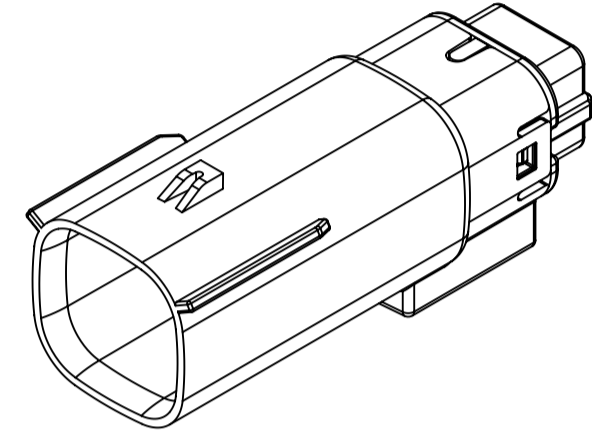
**SHEET DESCRIPTION**  
CONFIGURATIONS



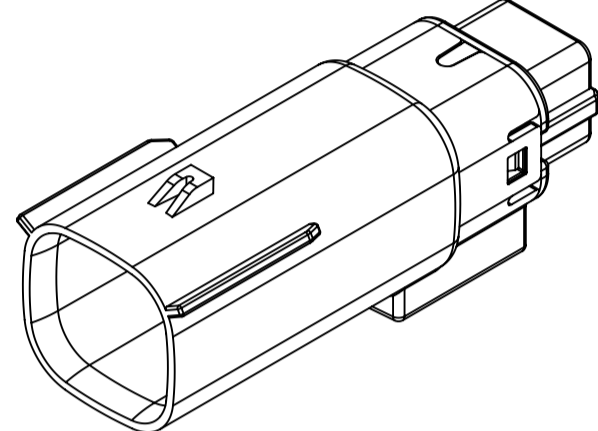
2X2 - STANDARD (STD)



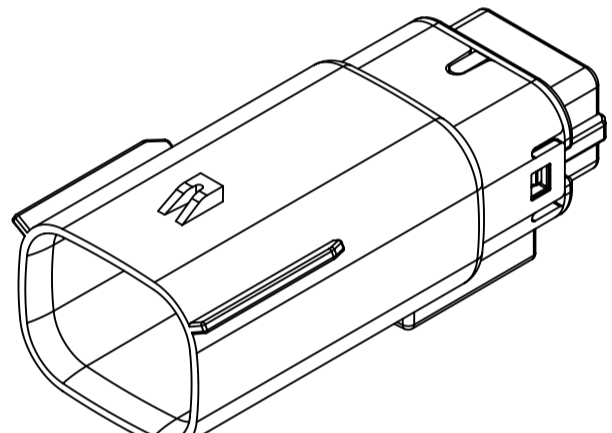
2X2 - UL V0\*



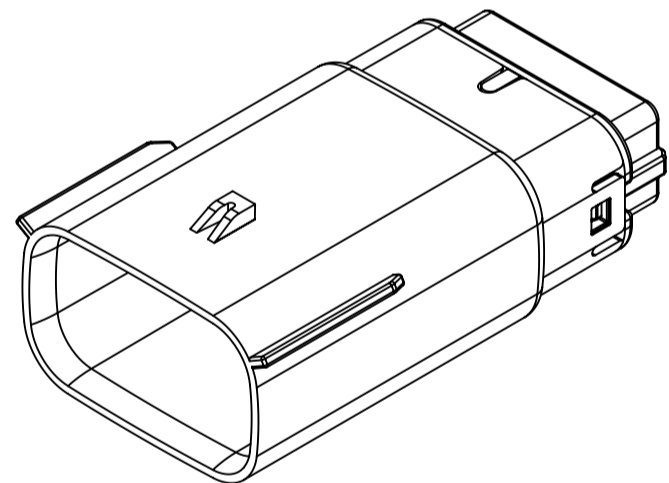
2X3 - STANDARD (STD)



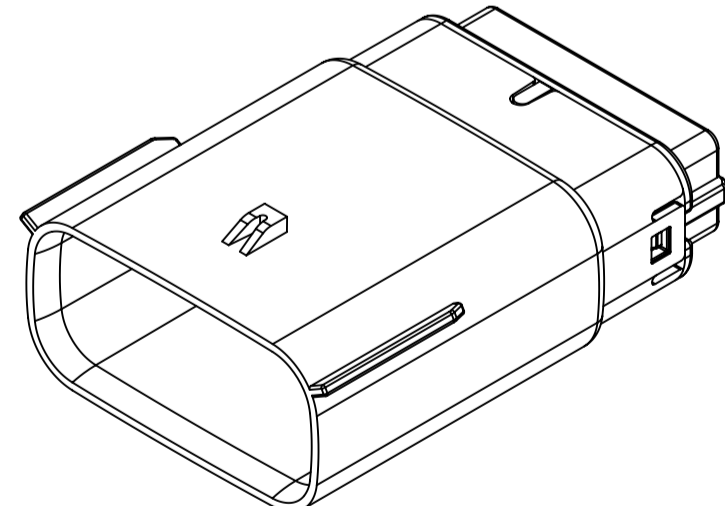
2X3 - LENGTHENED



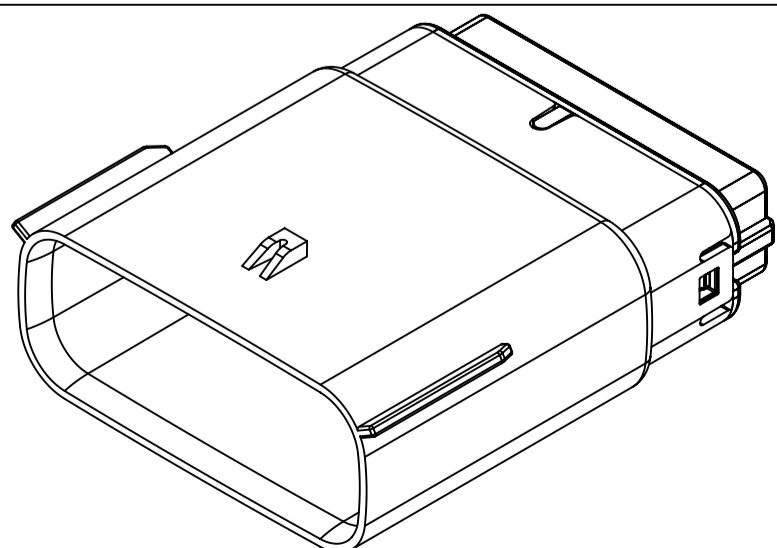
2X4 - STANDARD (STD)



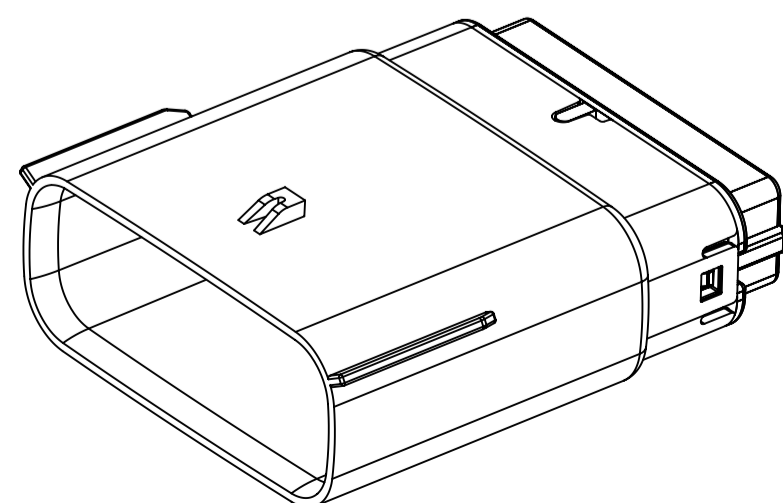
2X6 - STANDARD (STD)



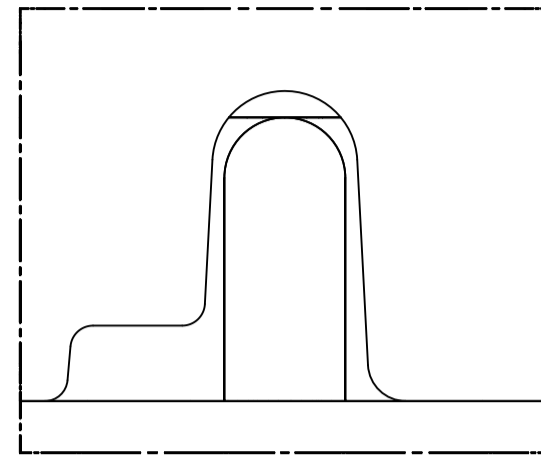
2X8 - STANDARD (STD)



2X10 - STANDARD (STD)



2X10 - UL V0\*



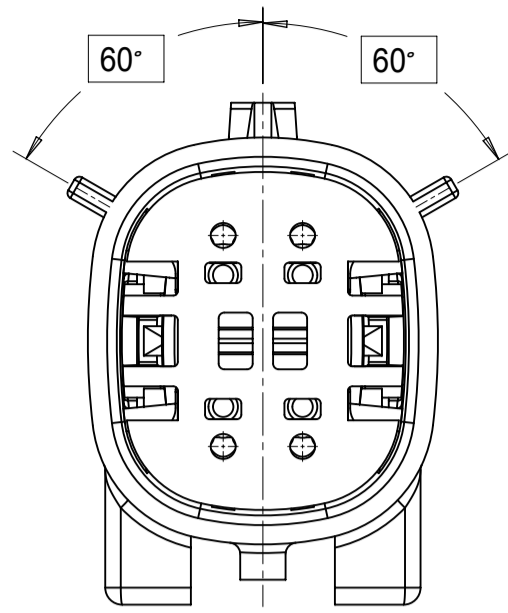
UL V0 UNIQUE FEATURE  
Partial1  
SCALE 10:1

\* MINOR GEOMETRY CHANGE THAN STANDARD CONFIGURATION.  
SEE NOTE 2a FOR MORE INFORMATION

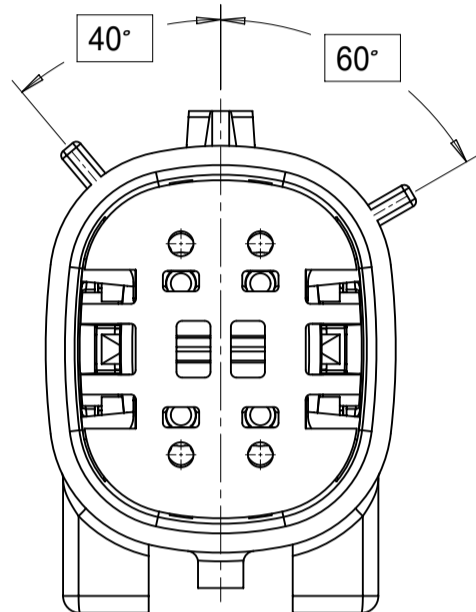
<b>SYMBOLS</b> = 0 = 0 = 0 = 0 = 0 = 0 = 0 = 0 = 0 = 0	THIS DRAWING CONTAINS INFORMATION THAT IS PROPRIETARY TO MOLEX ELECTRONIC TECHNOLOGIES, LLC AND SHOULD NOT BE USED WITHOUT WRITTEN PERMISSION		DIMENSION UNITS: <b>mm</b> SCALE: <b>1.5:1</b>		CURRENT REV DESC: EC NO: 171650 DRWN: PMANJUNATHAC 2018/01/03 CHK'D: MVANSLAMBROU 2018/02/16 APPR: MVANSLAMBROU 2018/02/16			 MX150 BLADE DUAL ROW SEALED ASSEMBLY MAT SEAL		
	GENERAL TOLERANCES (UNLESS SPECIFIED)		INITIAL REVISION: DRWN: APROFFITT 2014/04/28 APPR: VKOSHY 2014/05/14			PRODUCT CUSTOMER DRAWING				
	ANGULAR TOL ± 1.0°		4 PLACES ± 3 PLACES ± 2 PLACES ± 0.1 1 PLACE ± 0.2 0 PLACES ±			DOCUMENT NUMBER: <b>SD-33482-0001</b> DOC TYPE: PSD    DOC PART: 001    REVISION: E2				
	DRAFT WHERE APPLICABLE MUST REMAIN WITHIN DIMENSIONS		THIRD ANGLE PROJECTION		DRAWING: <b>A1-SIZE</b> SERIES: <b>33482</b>		MATERIAL NUMBER:    CUSTOMER: <b>GENERAL MARKET</b> SHEET NUMBER: <b>2 OF 11</b>			

**SHEET DESCRIPTION**  
KEY CONFIGURATIONS

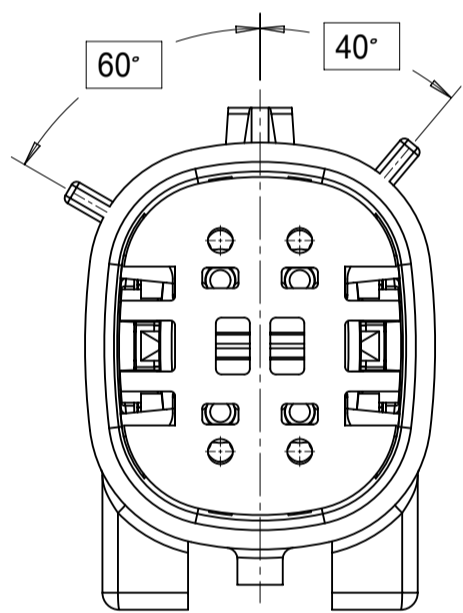
**2X2**



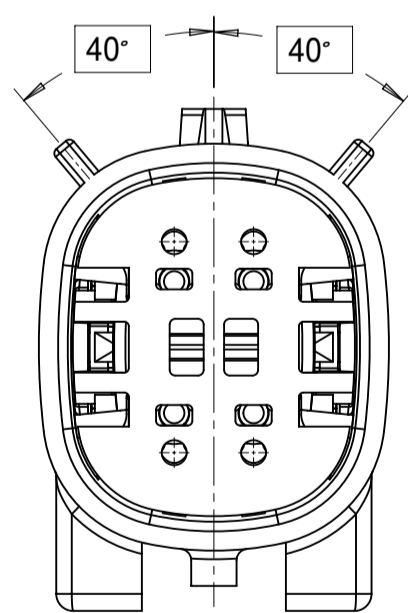
KEY A



KEY B

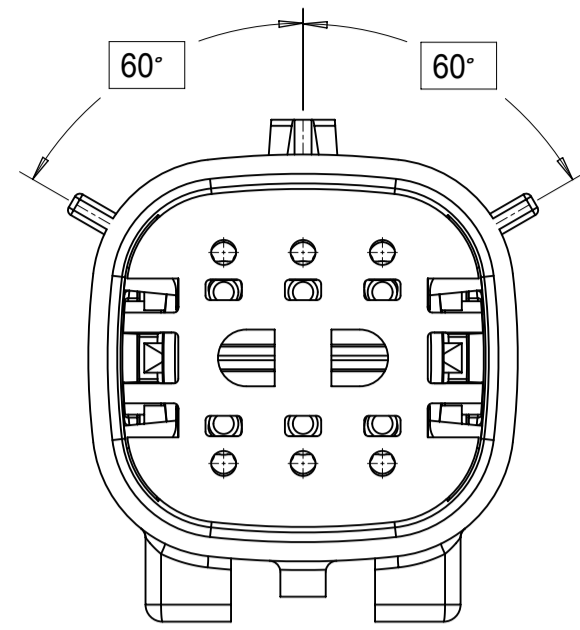


KEY C

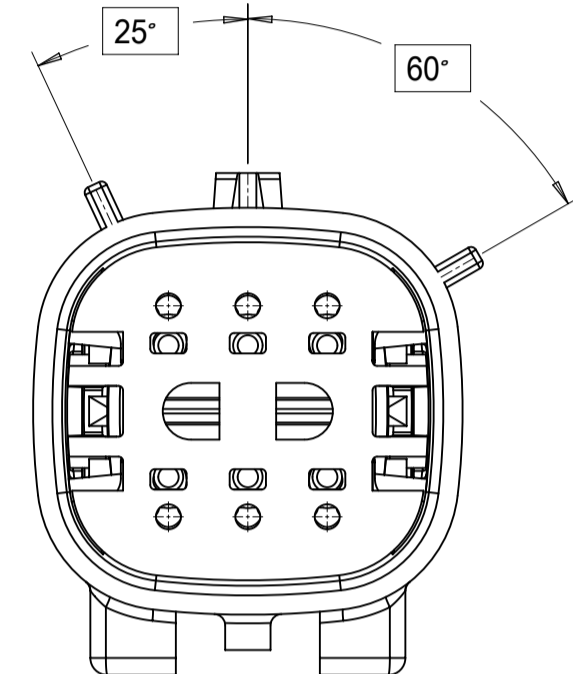


KEY D

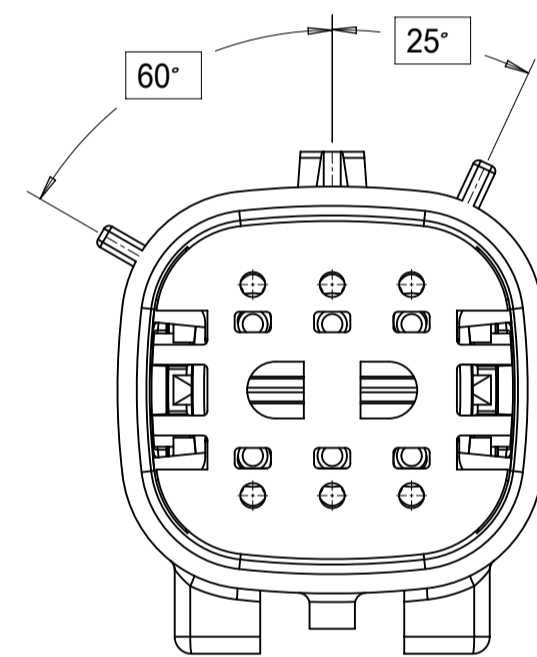
**2X3**



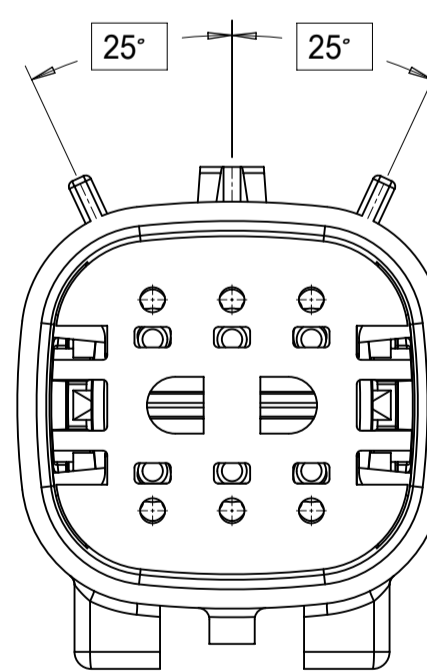
KEY A



KEY B

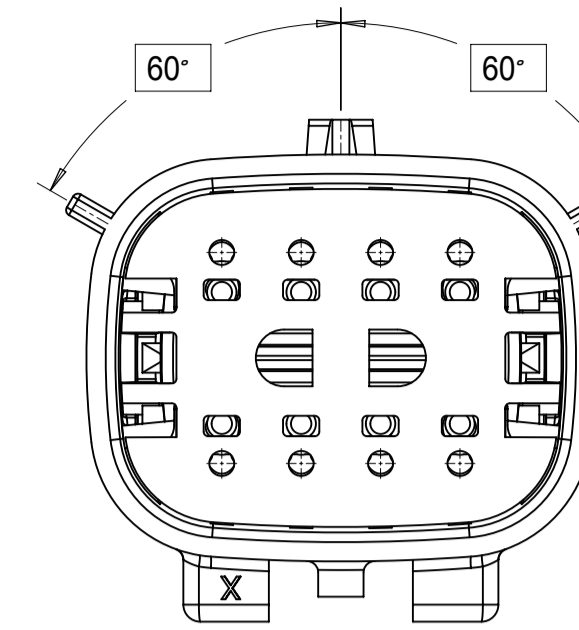


KEY C

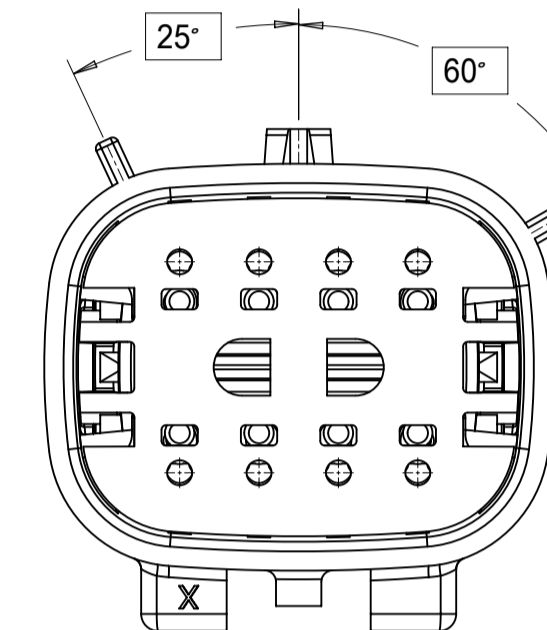


KEY D

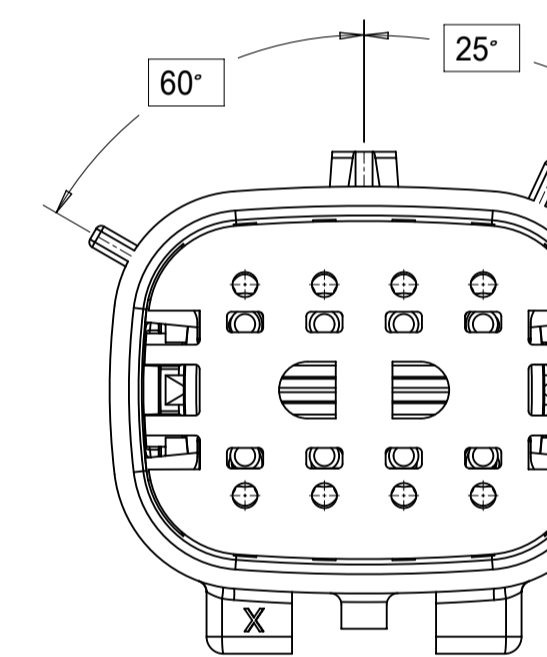
**2X4**



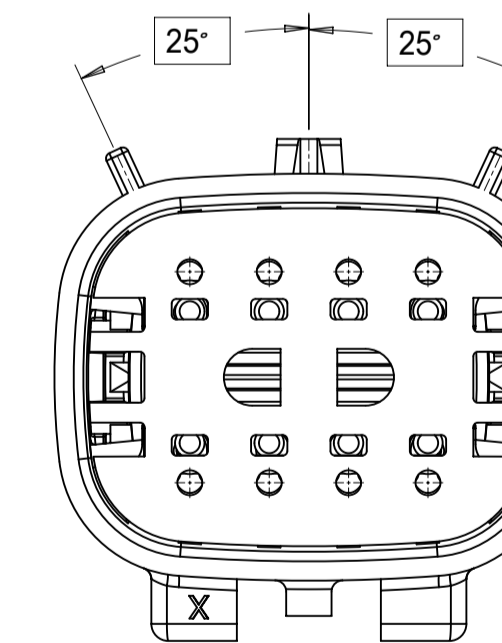
KEY A



KEY B



KEY C

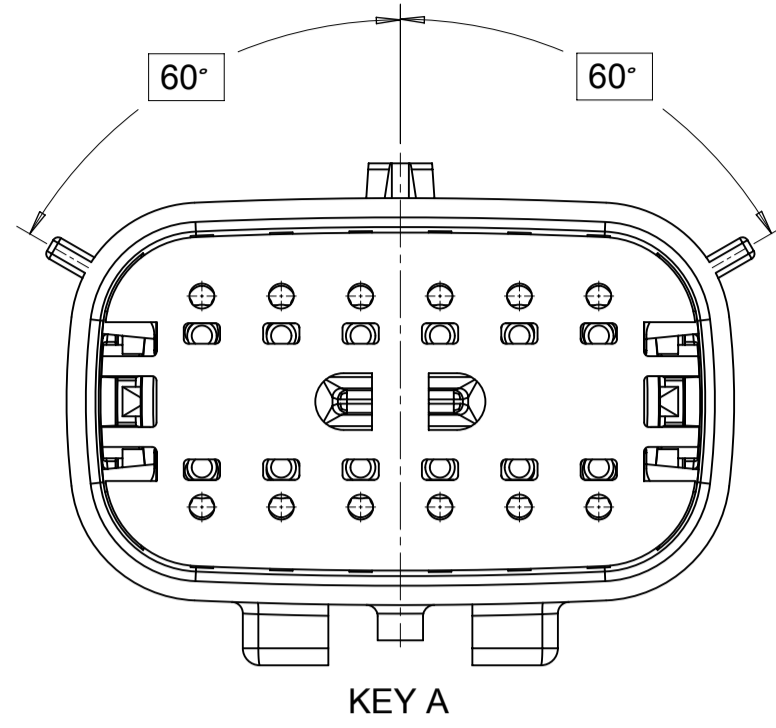


KEY D

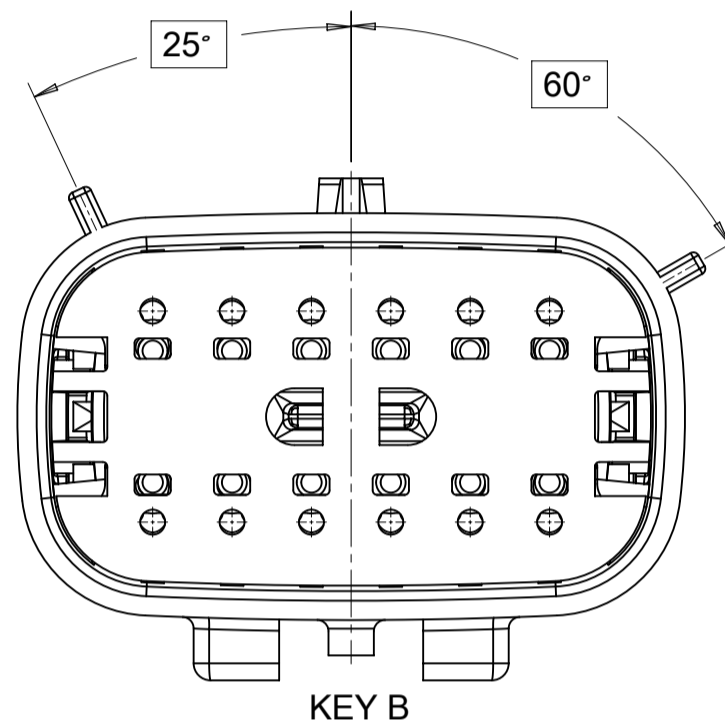
<b>SYMBOLS</b> = 0 = 0 = 0 = 0 = 0 = 0 = 0 = 0 = 0 = 0 = 0 = 0	THIS DRAWING CONTAINS INFORMATION THAT IS PROPRIETARY TO MOLEX ELECTRONIC TECHNOLOGIES, LLC AND SHOULD NOT BE USED WITHOUT WRITTEN PERMISSION DIMENSION UNITS: <b>mm</b> SCALE: <b>3:1</b> GENERAL TOLERANCES (UNLESS SPECIFIED) ANGULAR TOL: ± 1.0°	CURRENT REV DESC:  EC NO: 171650 DRWN: PMANJUNATHAC 2018/01/03 CHK'D: MVANSLAMBROU 2018/02/16 APPR: MVANSLAMBROU 2018/02/16	 <b>MX150 BLADE</b> <b>DUAL ROW SEALED ASSEMBLY MAT SEAL</b>
	INITIAL REVISION: DRWN: APROFFITT 2014/04/28 2014/05/14 APPR: VKOSHY	<b>PRODUCT CUSTOMER DRAWING</b> DOCUMENT NUMBER: <b>SD-33482-0001</b> DOC TYPE: PSD DOC PART: 001 REVISION: E2	
DRAFT WHERE APPLICABLE MUST REMAIN WITHIN DIMENSIONS	THIRD ANGLE PROJECTION	DRAWING: <b>A1-SIZE</b> SERIES: <b>33482</b>	MATERIAL NUMBER: _____ CUSTOMER: <b>GENERAL MARKET</b> SHEET NUMBER: <b>3 OF 11</b>

**SHEET DESCRIPTION**  
KEY CONFIGURATIONS CONT.

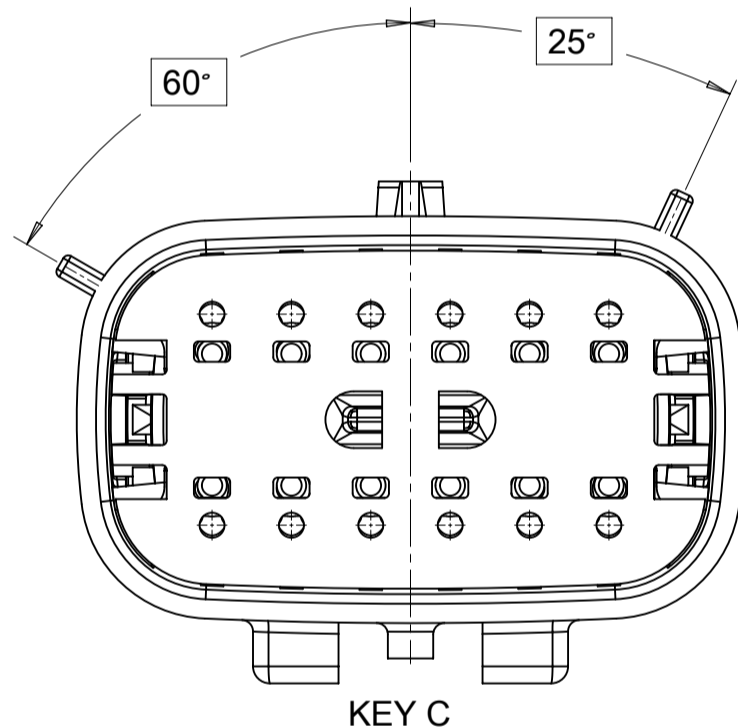
2X6



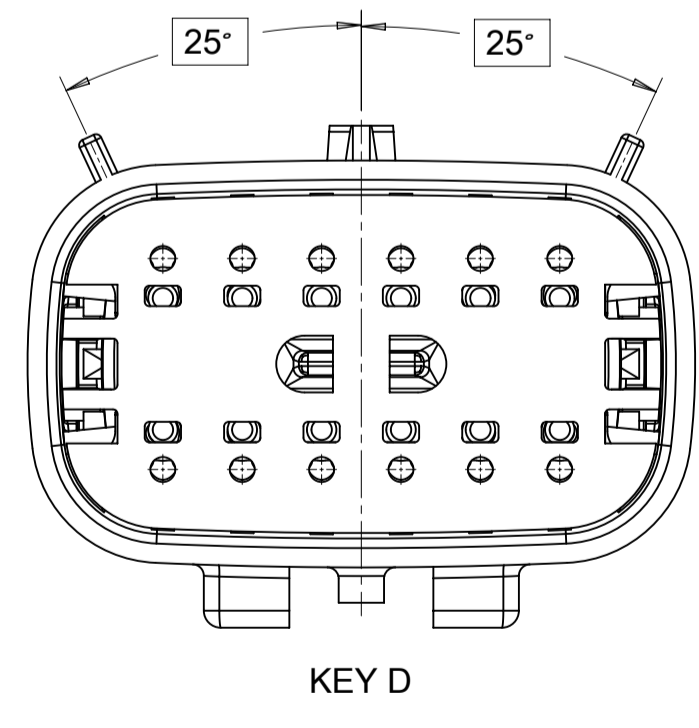
KEY A



KEY B

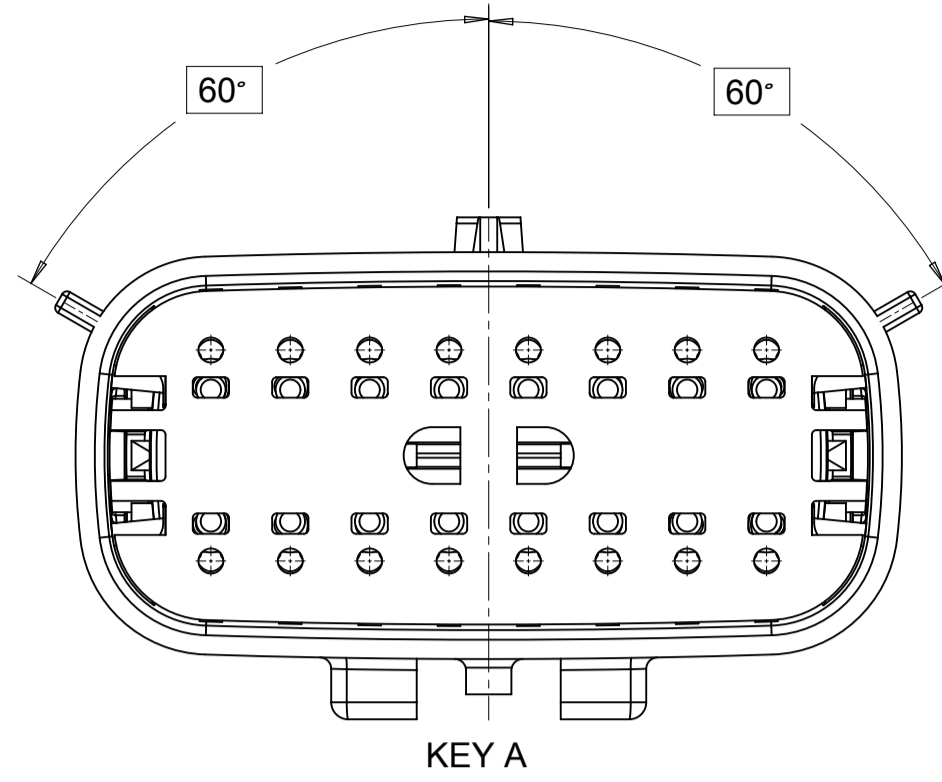


KEY C

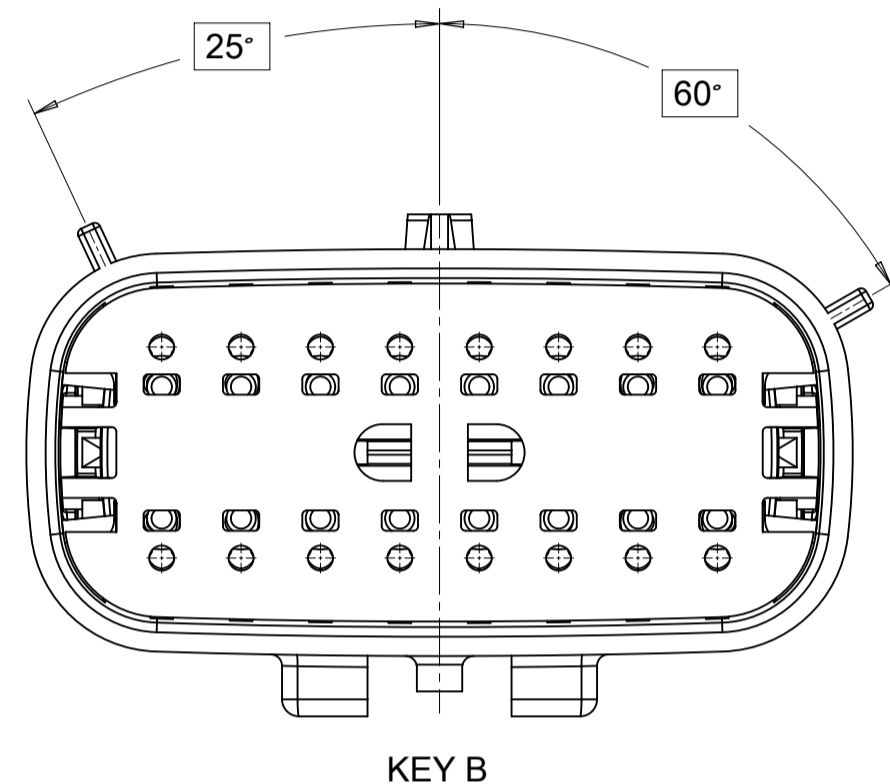


KEY D

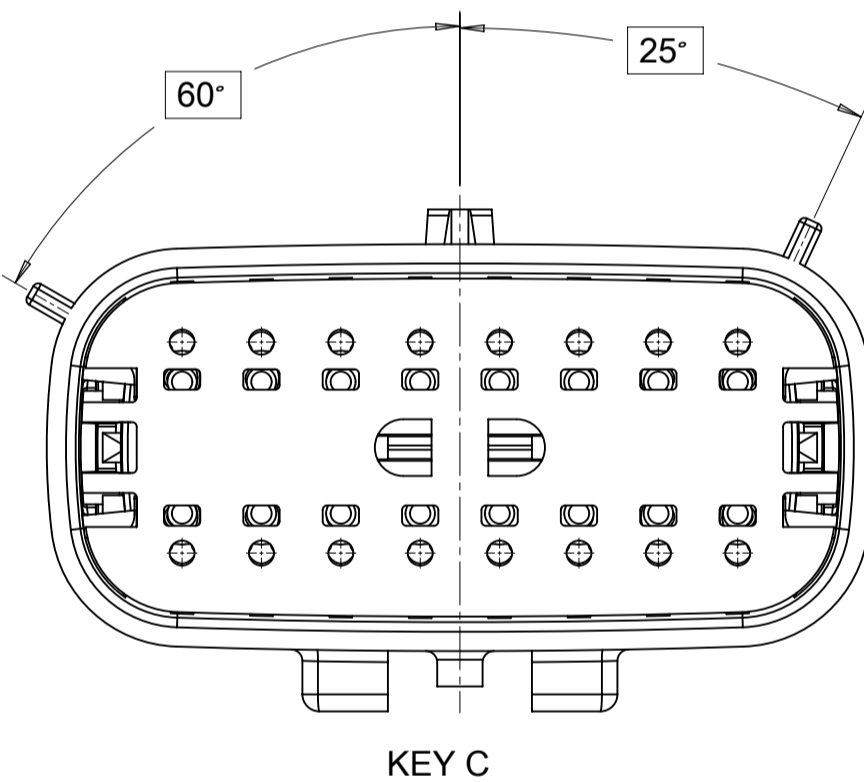
2X8



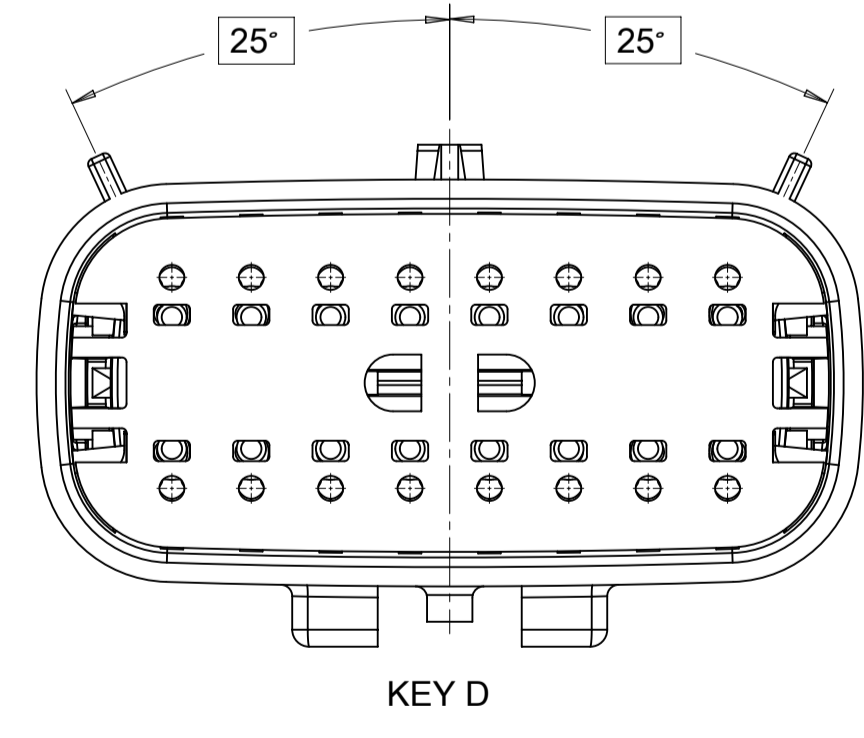
KEY A



KEY B

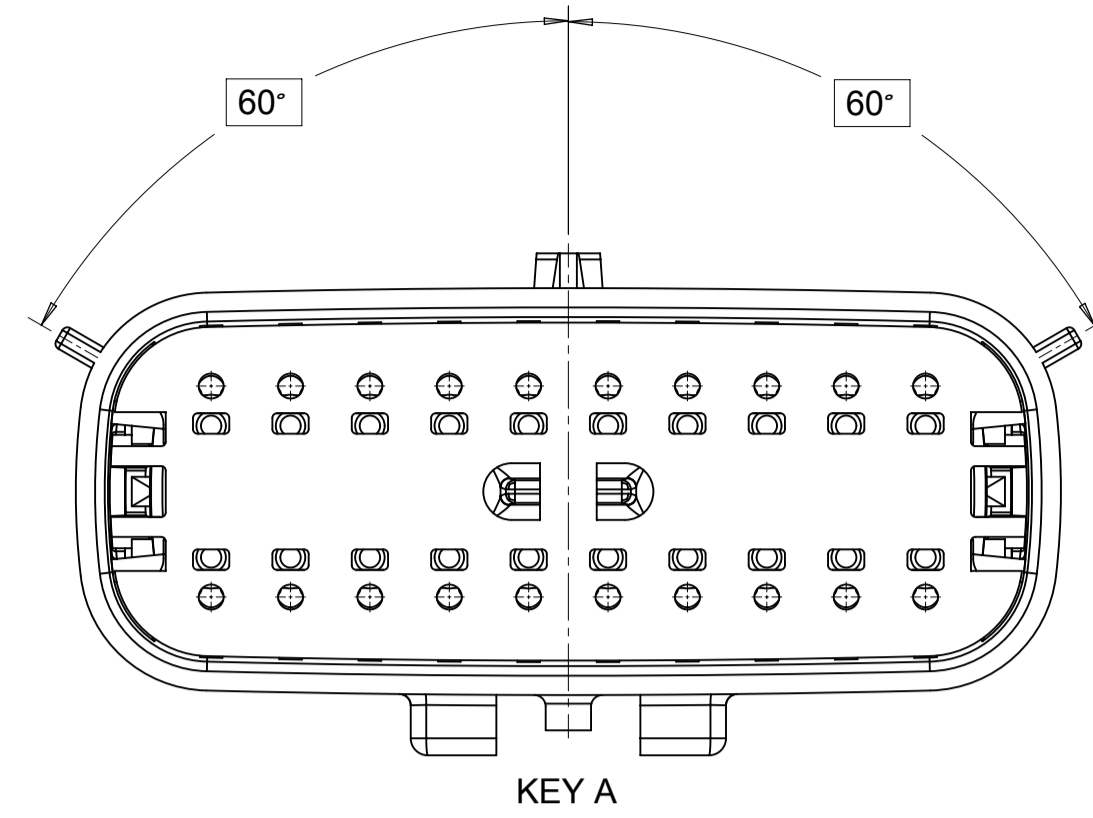


KEY C

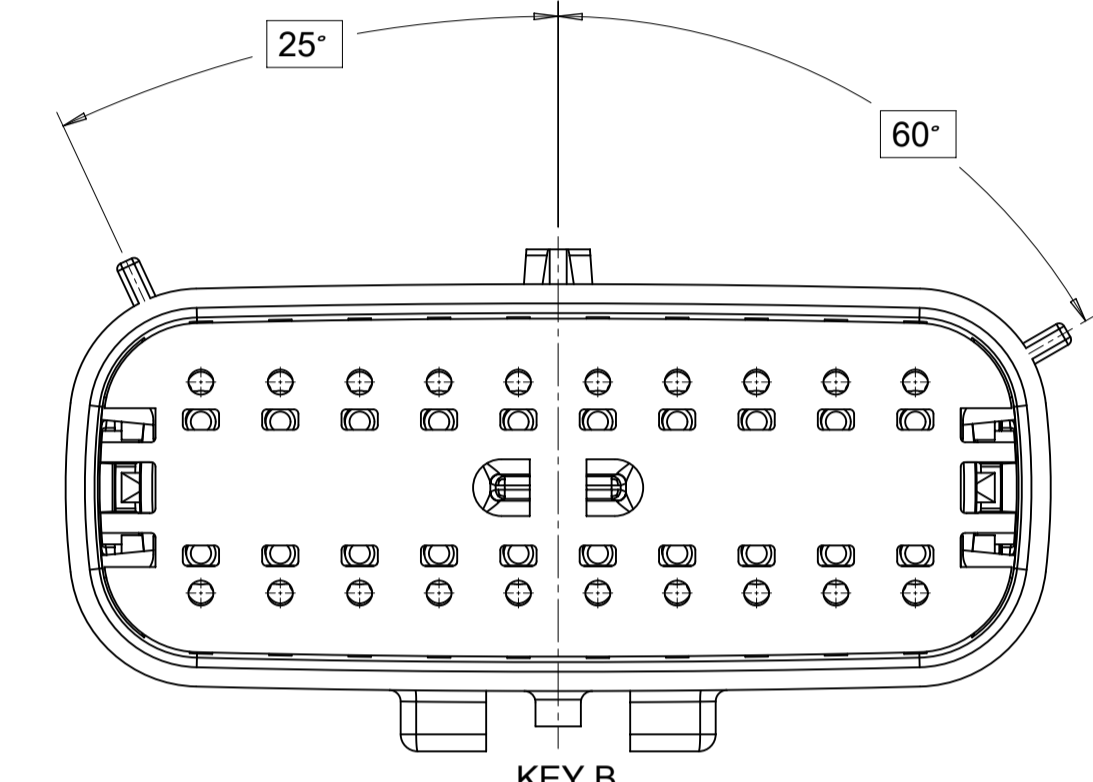


KEY D

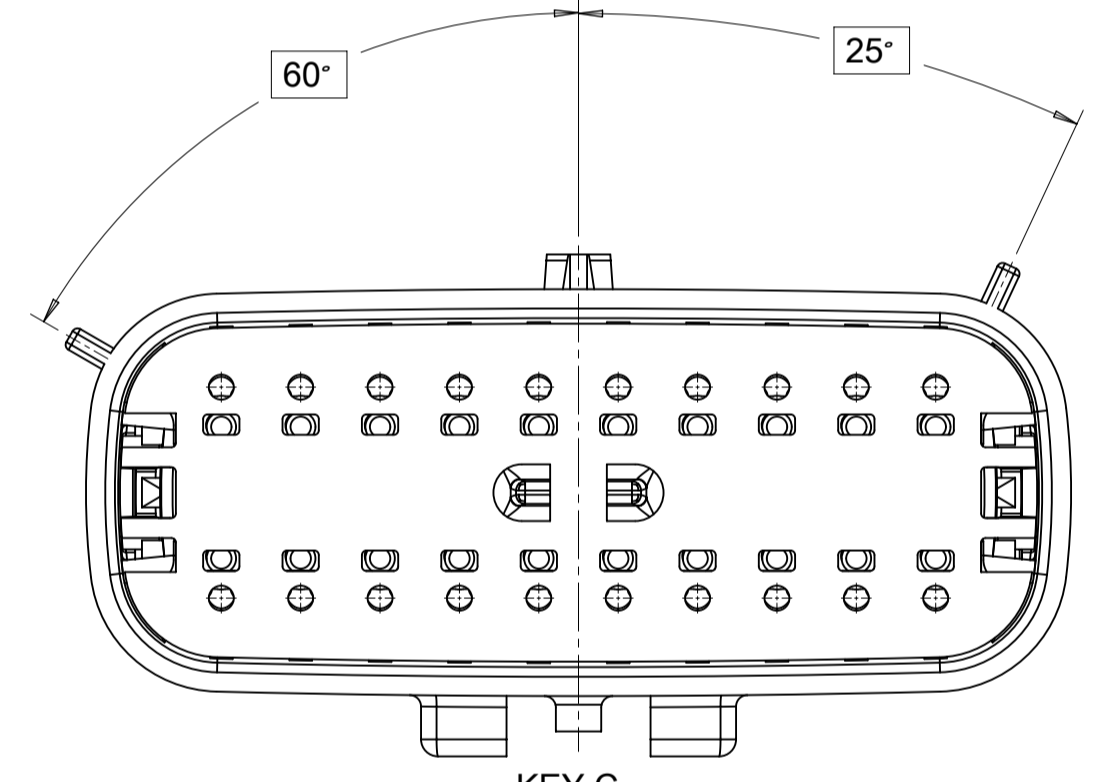
2X10



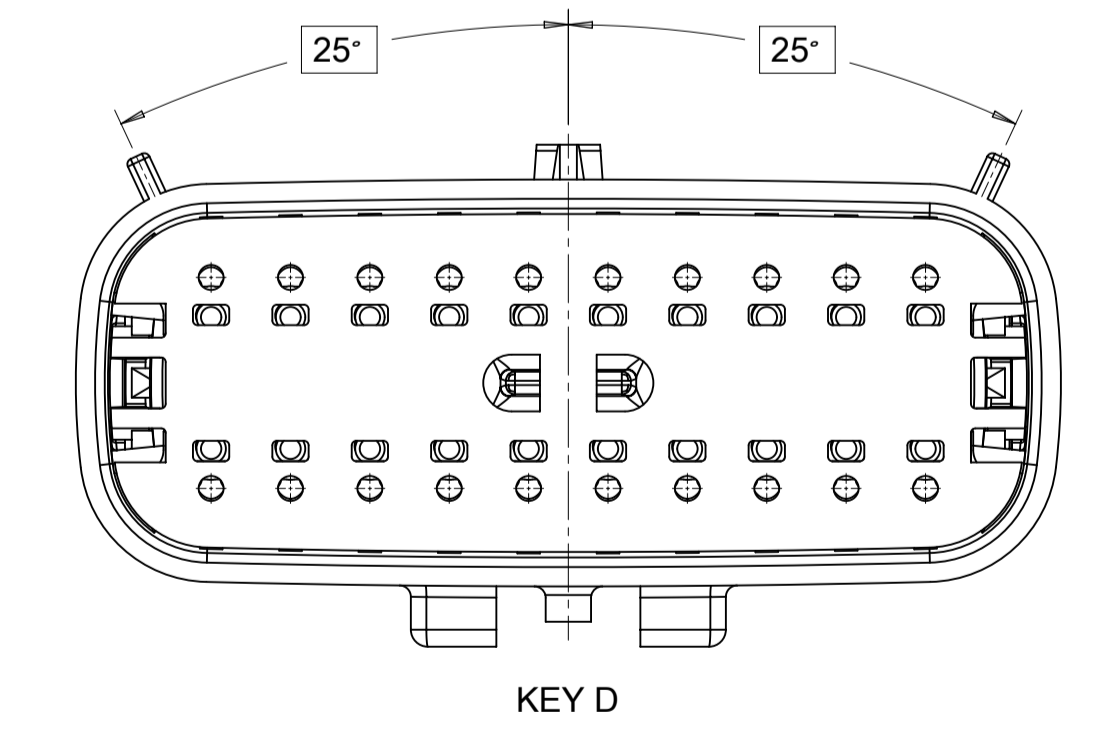
KEY A



KEY B



KEY C

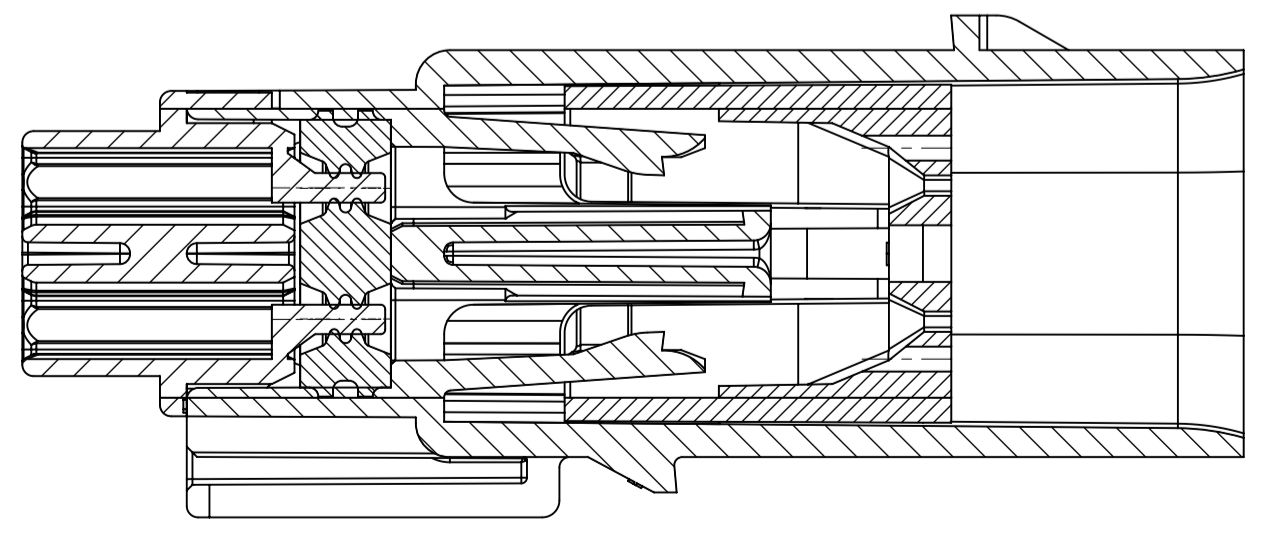
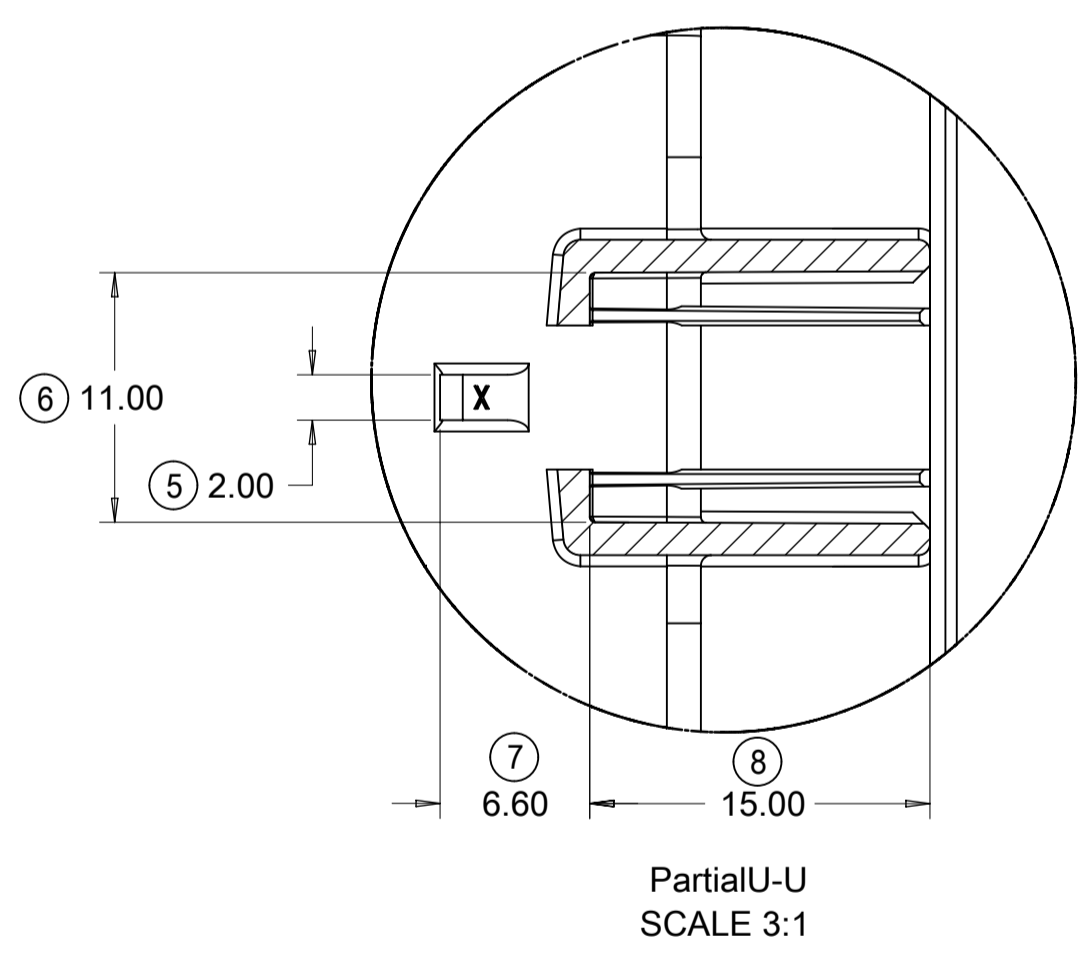
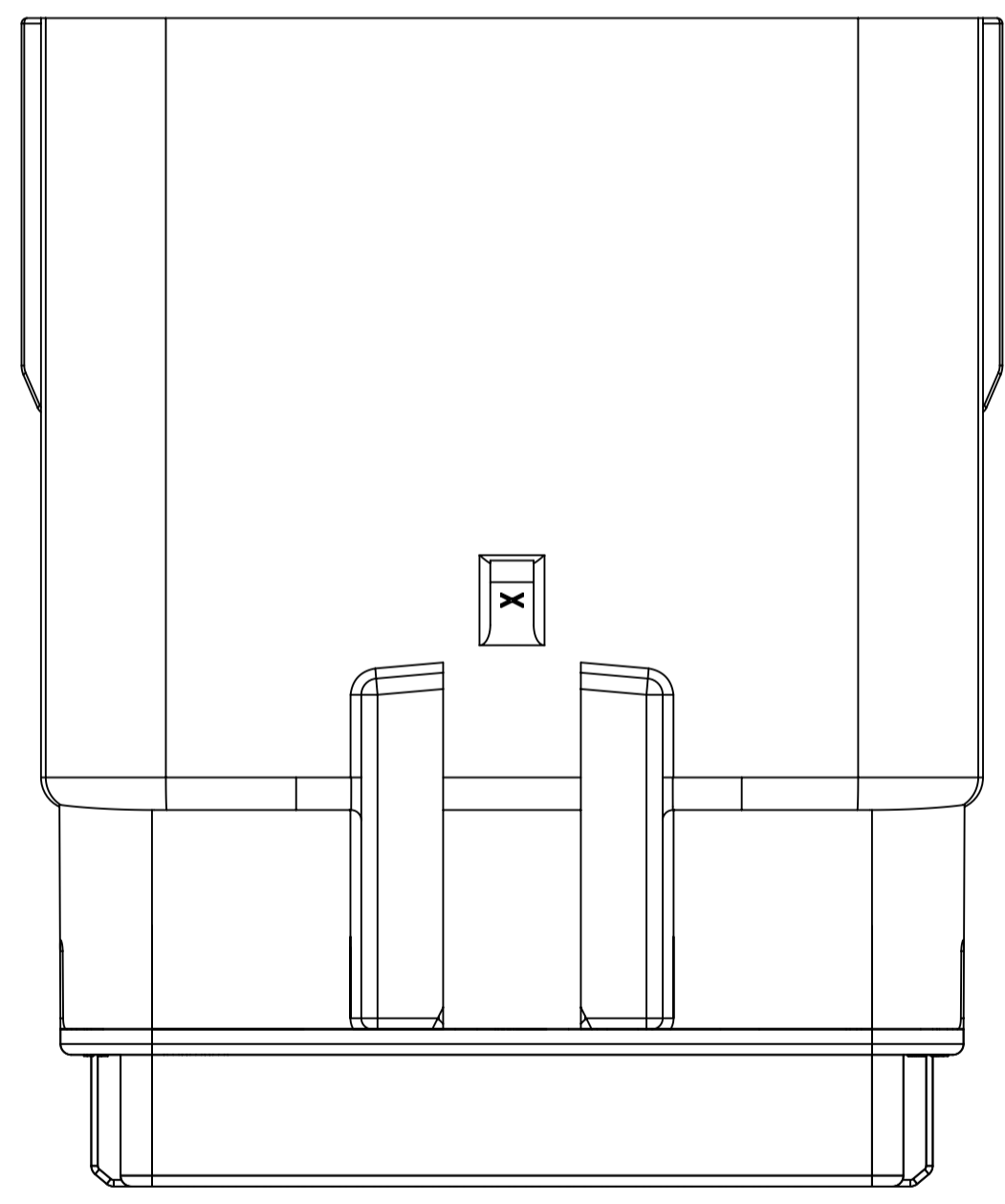
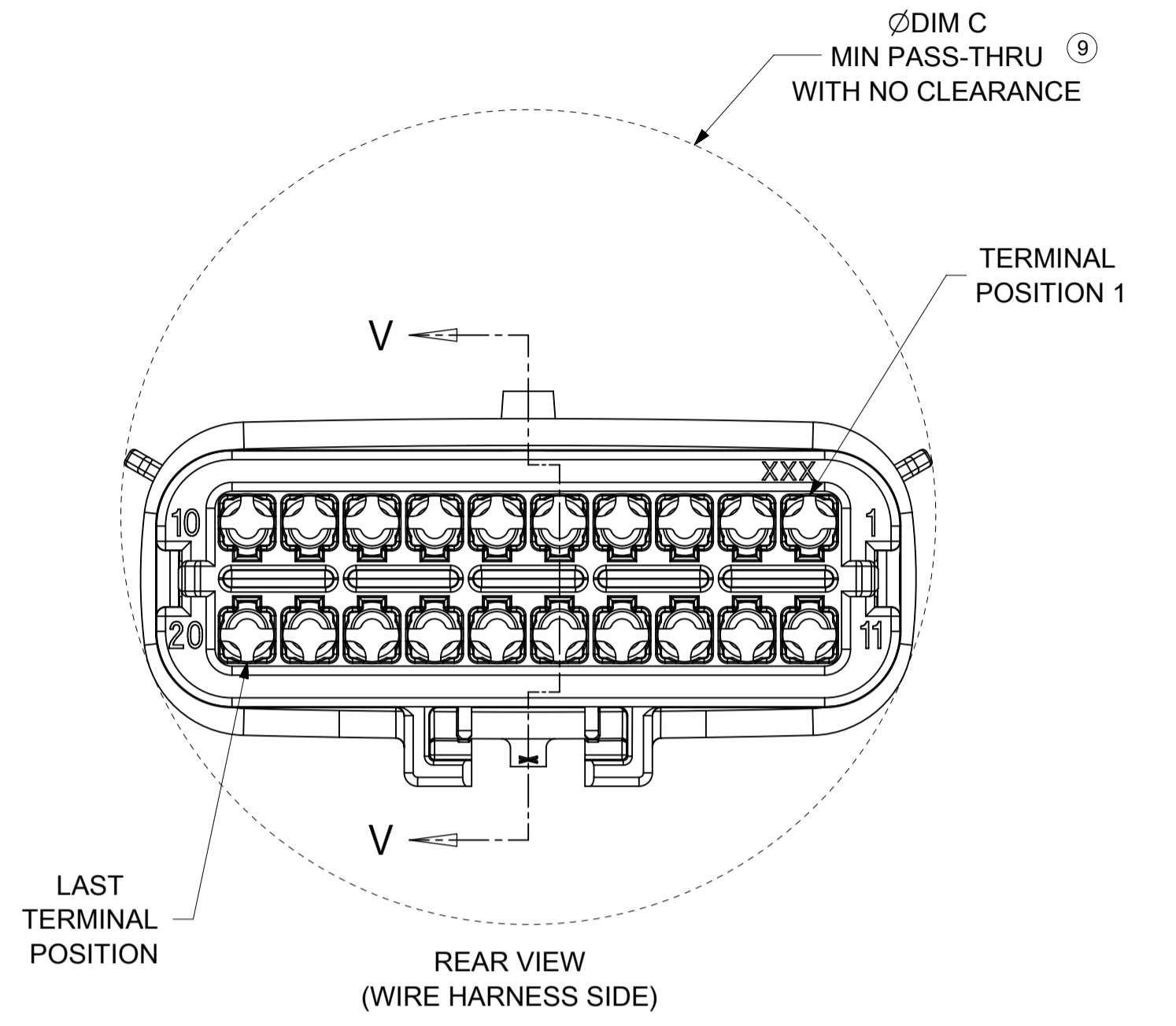
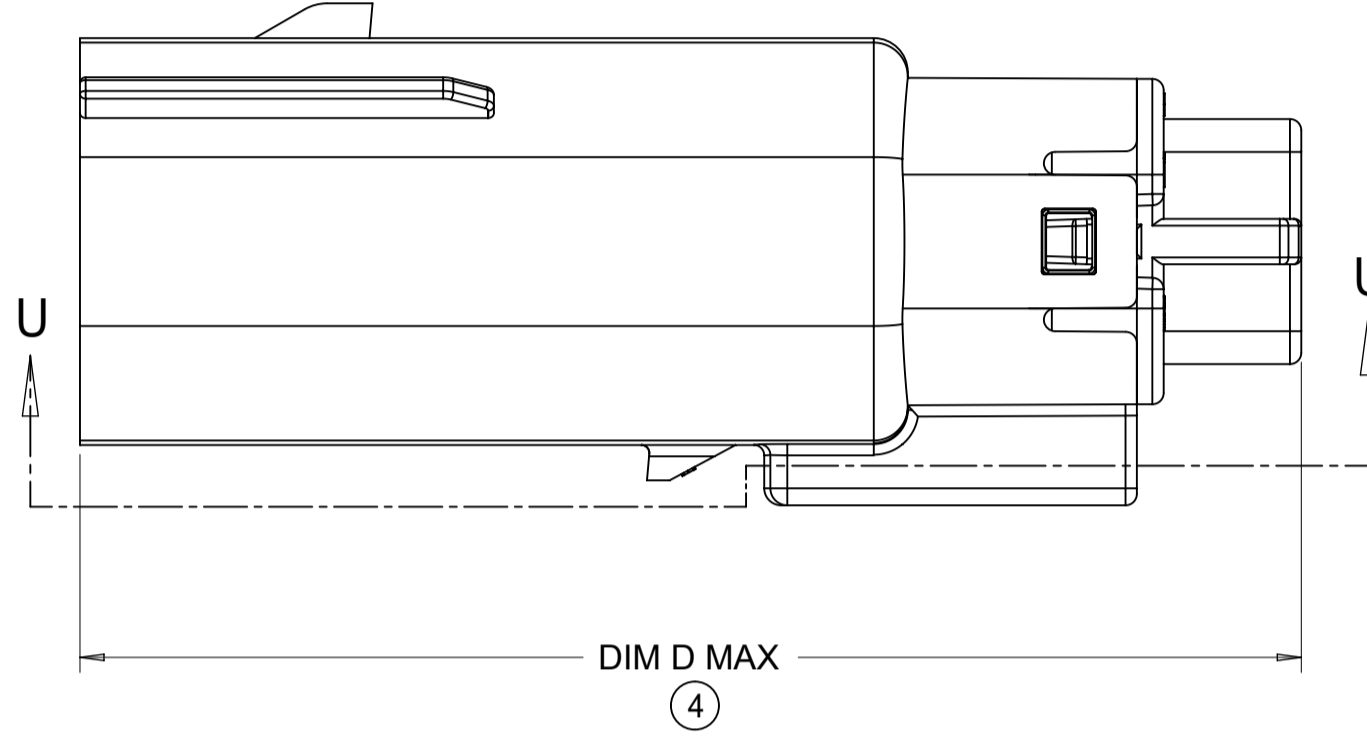
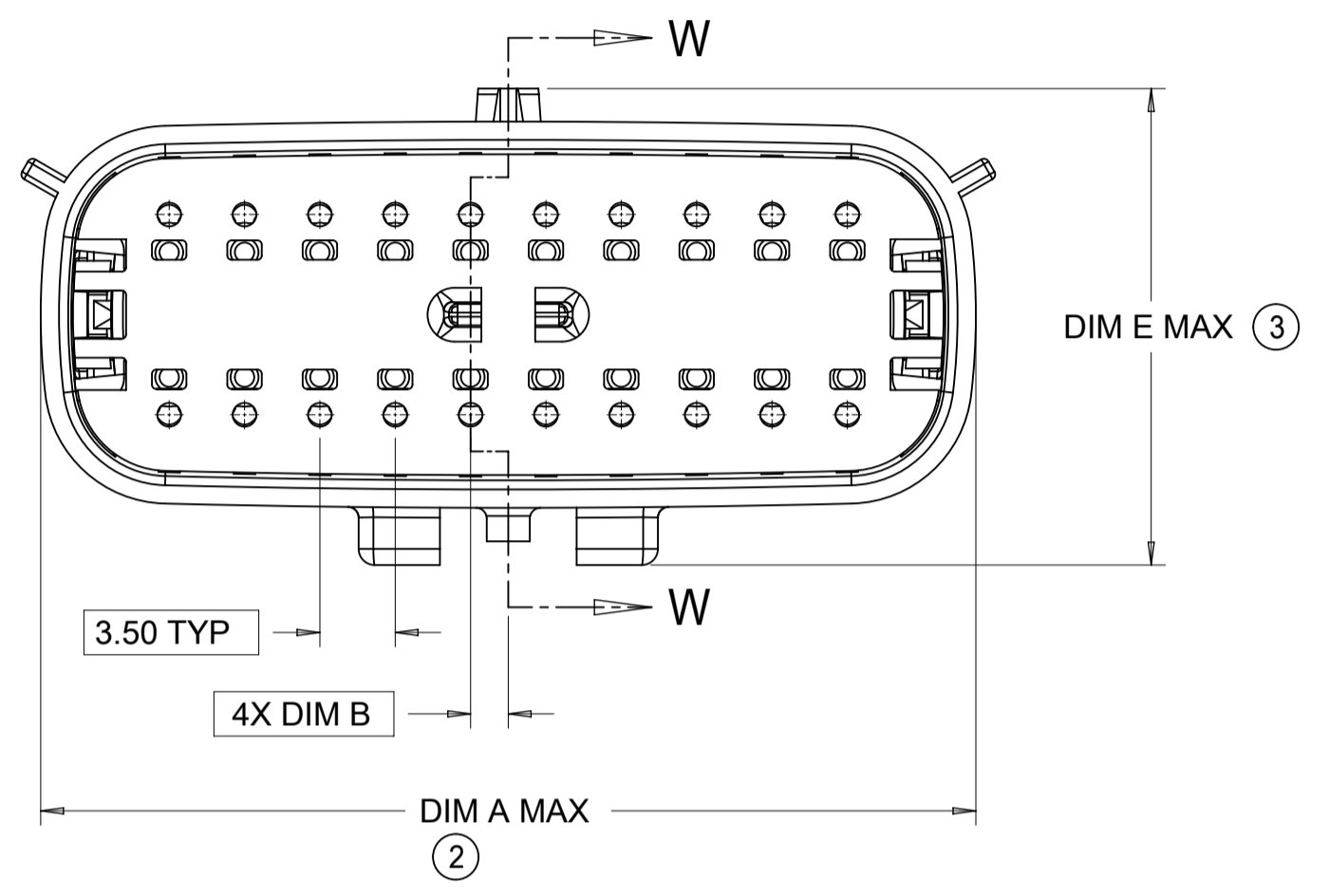
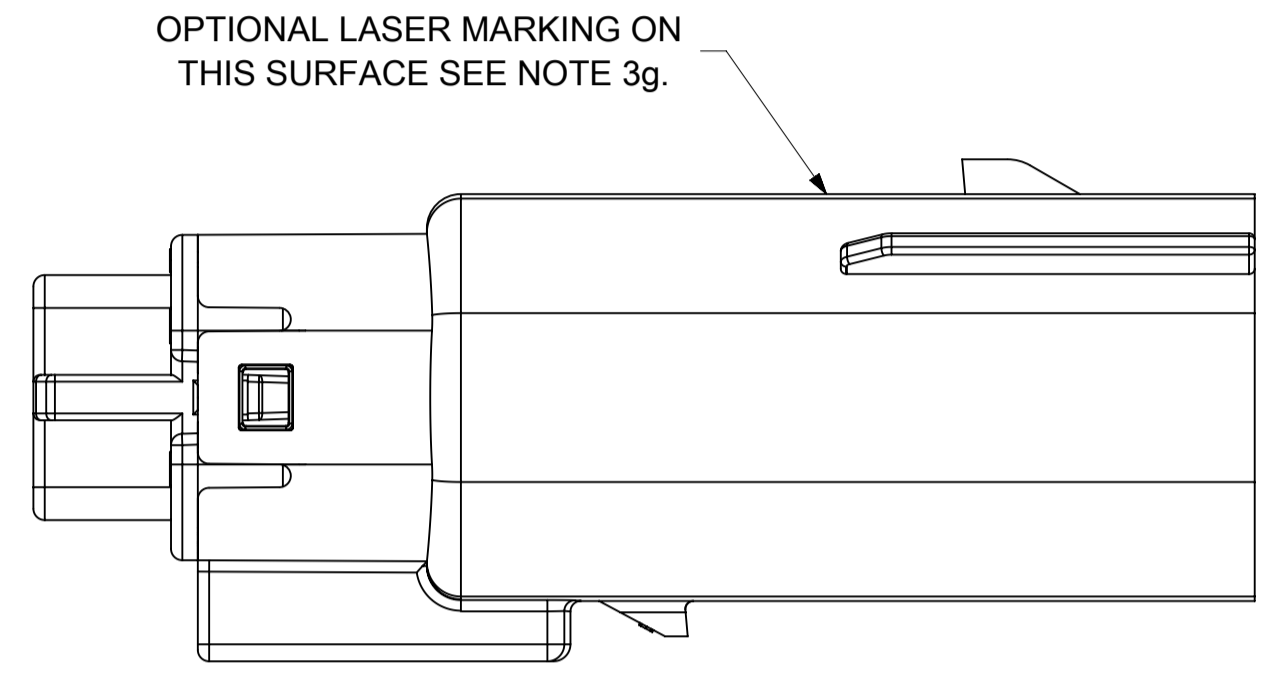


KEY D

<b>SYMBOLS</b> = 0 = 0 = 0 = 0 = 0 = 0 = 0 = 0 = 0 = 0	THIS DRAWING CONTAINS INFORMATION THAT IS PROPRIETARY TO MOLEX ELECTRONIC TECHNOLOGIES, LLC AND SHOULD NOT BE USED WITHOUT WRITTEN PERMISSION	DIMENSION UNITS: <b>mm</b> SCALE: <b>3:1</b>	CURRENT REV DESC: EC NO: 171650 DRWN: PMANJUNATHAC 2018/01/03 CHK'D: MVANSLAMBROU 2018/02/16 APPR: MVANSLAMBROU 2018/02/16	 MX150 BLADE DUAL ROW SEALED ASSEMBLY MAT SEAL		
	GENERAL TOLERANCES (UNLESS SPECIFIED) ANGULAR TOL ± 1.0° 4 PLACES ± 3 PLACES ± 2 PLACES ± 0.1 1 PLACE ± 0.2 0 PLACES ±	INITIAL REVISION: DRWN: APROFFITT 2014/04/28 APPR: VKOSHY 2014/05/14	DOCUMENT NUMBER: <b>SD-33482-0001</b> DOC TYPE: PSD DOC PART: 001 REVISION: E2			
DRAFT WHERE APPLICABLE MUST REMAIN WITHIN DIMENSIONS	THIRD ANGLE PROJECTION	DRAWING: <b>A1-SIZE</b> SERIES: <b>33482</b>	MATERIAL NUMBER: <b>GENERAL MARKET</b> CUSTOMER: <b>GENERAL MARKET</b>	SHEET NUMBER: <b>4 OF 11</b>		

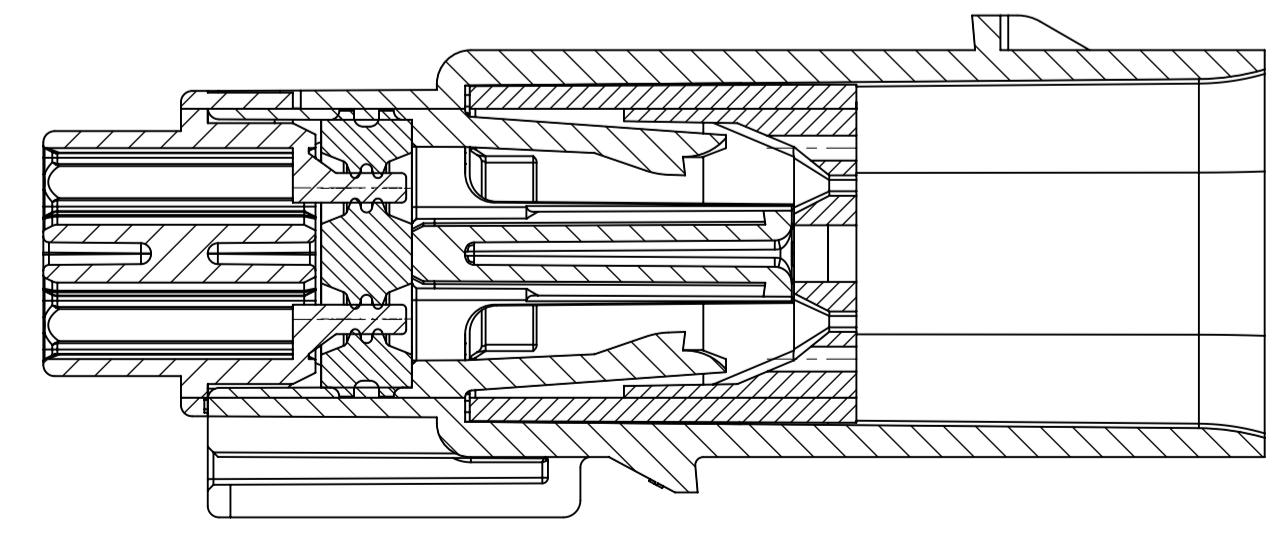
**SHEET DESCRIPTION**  
BLADE SEALED ASSEMBLY

DESCRIPTION	DIMENSIONS				
	A	B	C	D	E
2X2	15.54	1.75	24.40	54.45	22.23
2X3 STANDARD	19.04	3.50	26.21	54.45	22.23
2X3 LENGTHENED	19.04	3.50	26.21	56.45	22.23
2X4	22.54	1.75	27.21	54.45	22.23
2X6	29.54	1.75	32.27	54.45	22.23
2X8	36.54	1.75	38.88	54.45	22.23
2X10	43.64	1.75	45.65	54.45	22.05



PRIMARY LOCK REINFORCEMENT (PLR) SHOWN IN PRE-STAGED POSITION

SECTION W-W



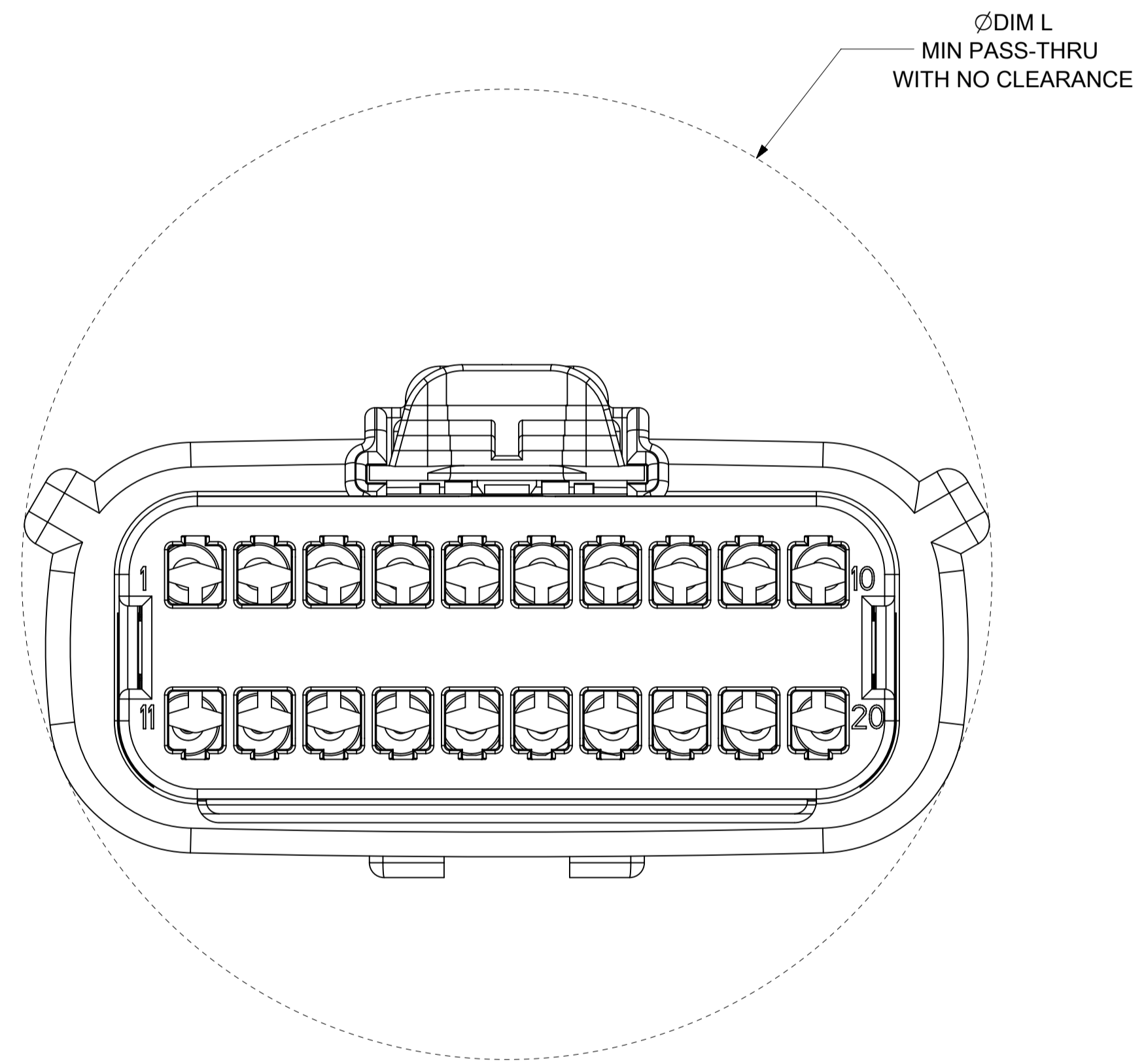
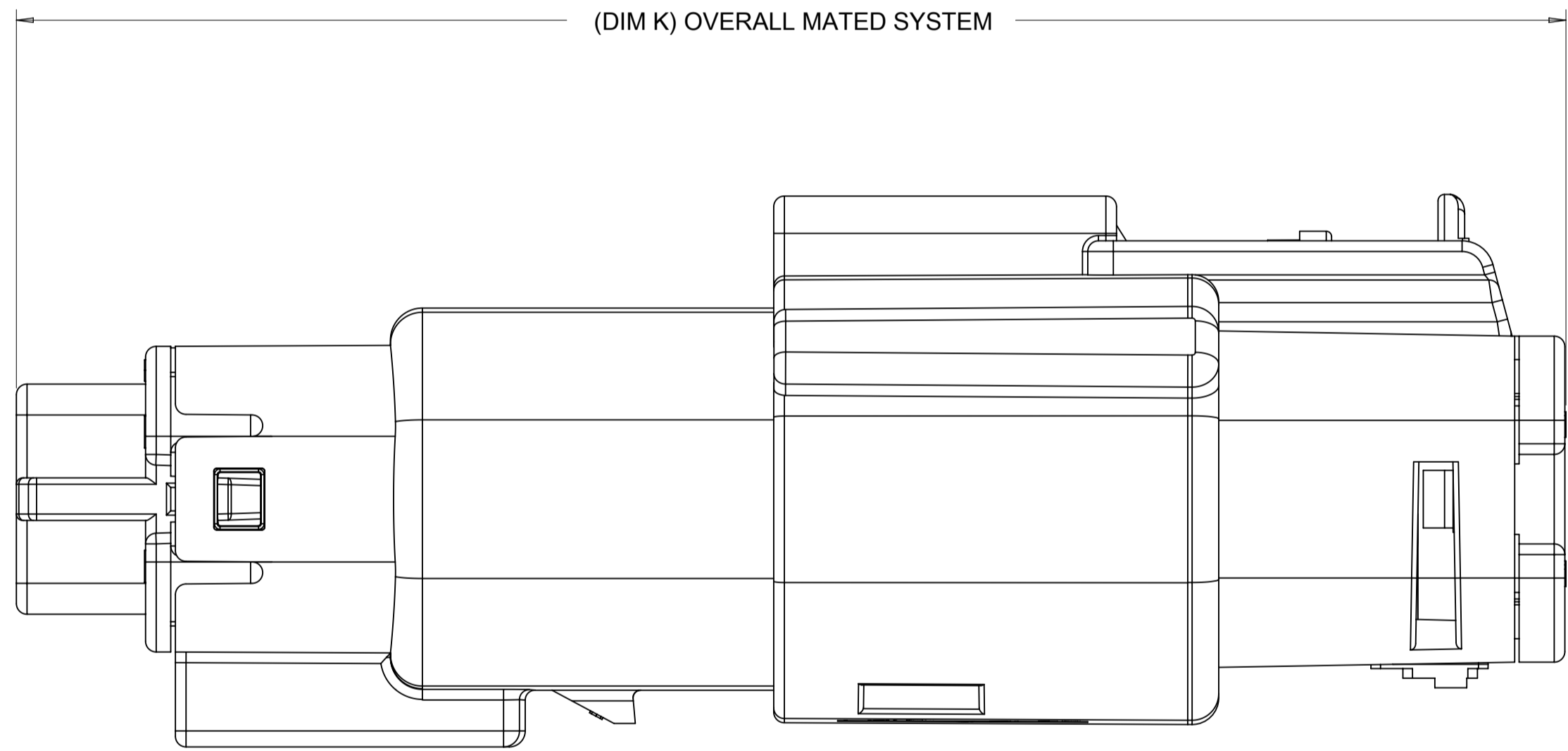
PRIMARY LOCK REINFORCEMENT (PLR) SHOWN IN FINAL-LOCK POSITION

SECTION V-V

<b>SYMBOLS</b> THIS DRAWING CONTAINS INFORMATION THAT IS PROPRIETARY TO MOLEX ELECTRONIC TECHNOLOGIES, LLC AND SHOULD NOT BE USED WITHOUT WRITTEN PERMISSION DIMENSION UNITS: mm SCALE: 3:1 GENERAL TOLERANCES (UNLESS SPECIFIED): ANGULAR TOL: ± 1.0° 4 PLACES: ± 3 PLACES: ± 2 PLACES: ± 0.1 1 PLACE: ± 0.2 0 PLACES: ± DRAFT WHERE APPLICABLE MUST REMAIN WITHIN DIMENSIONS	CURRENT REV DESC:		 MX150 BLADE DUAL ROW SEALED ASSEMBLY MAT SEAL			
	EC NO: 171650					PRODUCT CUSTOMER DRAWING
	DRWN: PMANJUNATHAC 2018/01/03		DOCUMENT NUMBER: SD-33482-0001		DOC TYPE: PSD	DOC PART: 001
	CHK'D: MVANSLAMBROU 2018/02/16		MATERIAL NUMBER: 33482		CUSTOMER: GENERAL MARKET	REVISION: E2
APPR: MVANSLAMBROU 2018/02/16		INITIAL REVISION: 2014/04/28		SHEET NUMBER: 5 OF 11		
APPR: VKOSHY 2014/05/14		DRAWING: A1-SIZE		SERIES: 33482		

**SHEET DESCRIPTION**  
SYSTEM PACKAGING

CHARTED DIMENSION				
CKT	BLADE CONFIGURATION	RECEPTACLE CONFIGURATION	DIMENSIONS	
			K	L
2X2	STANDARD	W/O CLIPSLOT	72.78	28.00
		W/ CLIPSLOT	72.78	28.50
		LENGTHENED	77.21	28.00
2X3	STANDARD	W/O CLIPSLOT	72.78	28.00
		W/ CLIPSLOT		30.50
	LENGTHENED	W/O CLIPSLOT	74.79	28.00
		W/ CLIPSLOT		30.50
2X4	STANDARD	W/O CLIPSLOT	72.78	29.50
		W/ CLIPSLOT		31.50
2X6	STANDARD	W/O CLIPSLOT	72.79	35.58
		W/ CLIPSLOT		
2X8	STANDARD	W/O CLIPSLOT	72.67	42.25
		W/ CLIPSLOT		
2X10	STANDARD	STANDARD	72.78	49.05

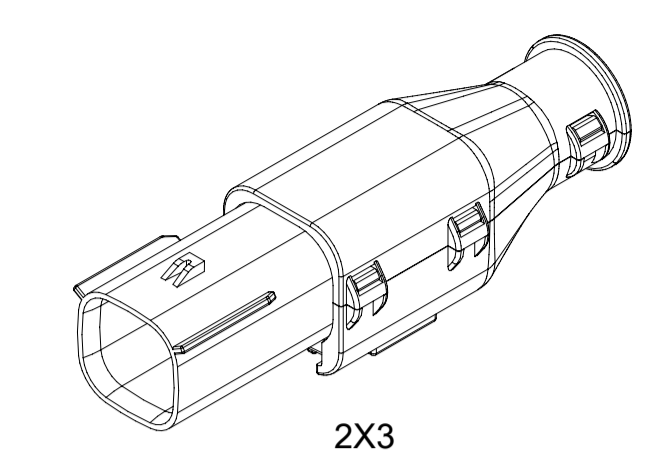


<b>SYMBOLS</b> ▽ = 0 ▽ = 0 ▽ = 0 ▽ = 0 ▽ = 0 ▽ = 0 ▽ = 0 ▽ = 0 ▽ = 0 ▽ = 0	THIS DRAWING CONTAINS INFORMATION THAT IS PROPRIETARY TO MOLEX ELECTRONIC TECHNOLOGIES, LLC AND SHOULD NOT BE USED WITHOUT WRITTEN PERMISSION	DIMENSION UNITS	SCALE	CURRENT REV DESC:						
	mm	4:1	EC NO: 171650 DRWN: PMANJUNATHAC 2018/01/03 CHK'D: MVANSLAMBROU 2018/02/16 APPR: MVANSLAMBROU 2018/02/16							
	GENERAL TOLERANCES (UNLESS SPECIFIED)				INITIAL REVISION: DRWN: APROFFITT 2014/04/28 APPR: VKOSHY 2014/05/14			PRODUCT CUSTOMER DRAWING		
	ANGULAR TOL ± 1.0°							DOCUMENT NUMBER		
	4 PLACES ±				SD-33482-0001			PSD 001 E2		
	3 PLACES ±									
	2 PLACES ± 0.1				MATERIAL NUMBER CUSTOMER GENERAL MARKET			SHEET NUMBER 6 OF 11		
	1 PLACE ± 0.2									
	0 PLACES ±				THIRD ANGLE PROJECTION			DRAWING		
	DRAFT WHERE APPLICABLE MUST REMAIN WITHIN DIMENSIONS				A1-SIZE			SERIES		
				33482						

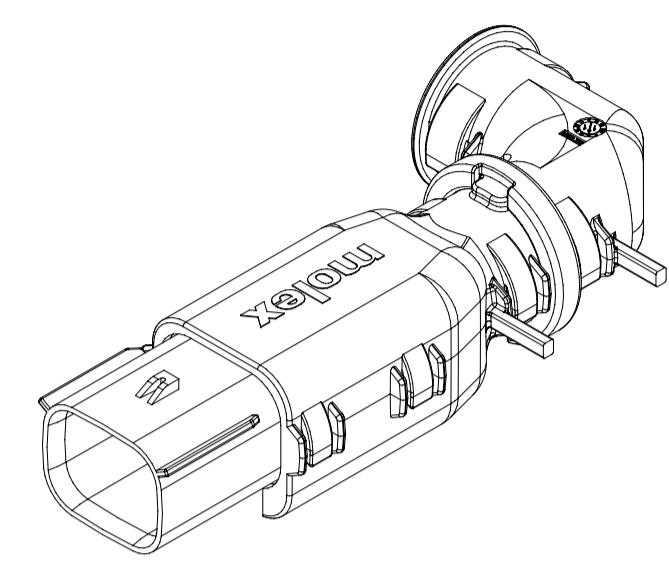
**SHEET DESCRIPTION**  
**BACKSHELL NOTES**

BACKSHELL NOTES: VALID UNLESS OTHERWISE SPECIFIED

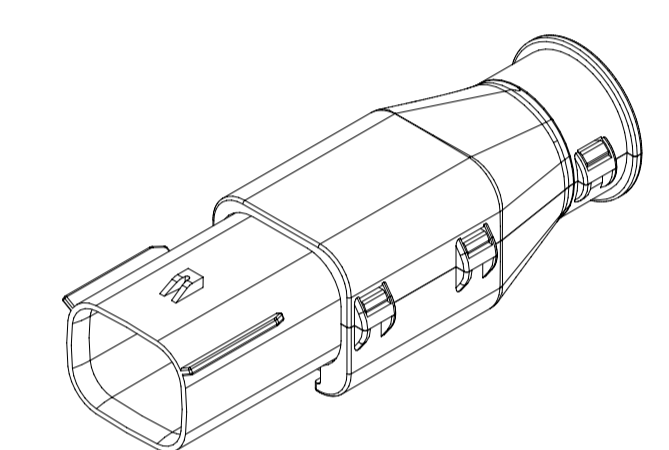
1. GENERAL:  
a. APPLICATION SPECIFICATION SEE: AS-34951-001  
-DESIGNED TO MATE WITH BLADE SEALED ASSEMBLY SPECIFIED IN MOLEX DRAWING SD-33482-0001.  
-SYSTEM TO BE USED WITH WIRE WITHIN DIAMETER RANGE OF 1.2mm TO 2.69mm.  
-COMPONENTS ARE OPTIONAL AND MUST BE PURCHASED SEPERATELY.  
-DESIGN IS OWNED BY SCHLEMMER FOR SCHLEMMER BACKSHELL.  
-DESIGN IS OWNED BY MOLEX FOR MOLEX BACKSHELL.  
-90° ADAPTOR DESIGN IS OWNED BY MOLEX.  
-FOR ADDITIONAL INFORMATION SEE THE BACKSHELL COMPONENT DRAWING SD-34950-0001.



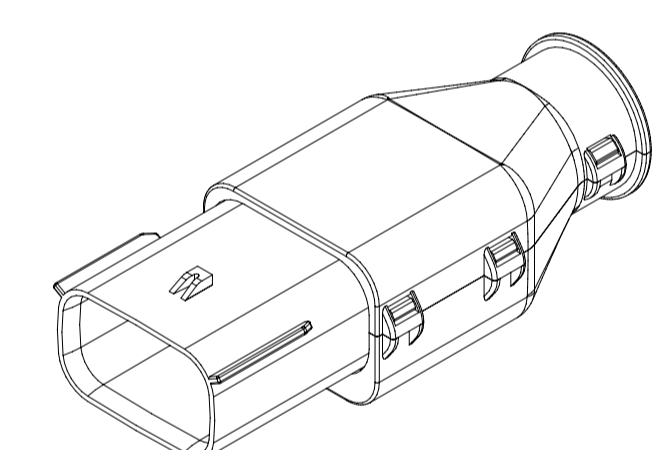
2X3



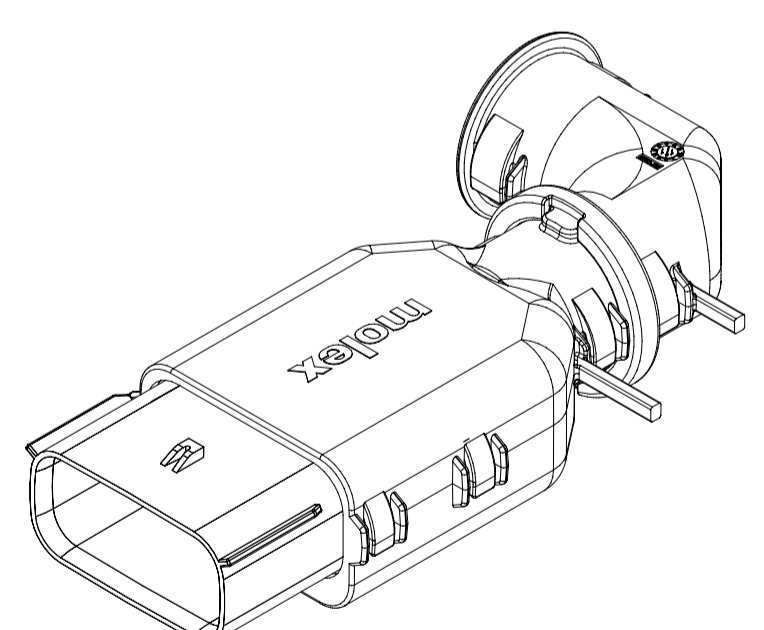
2X4



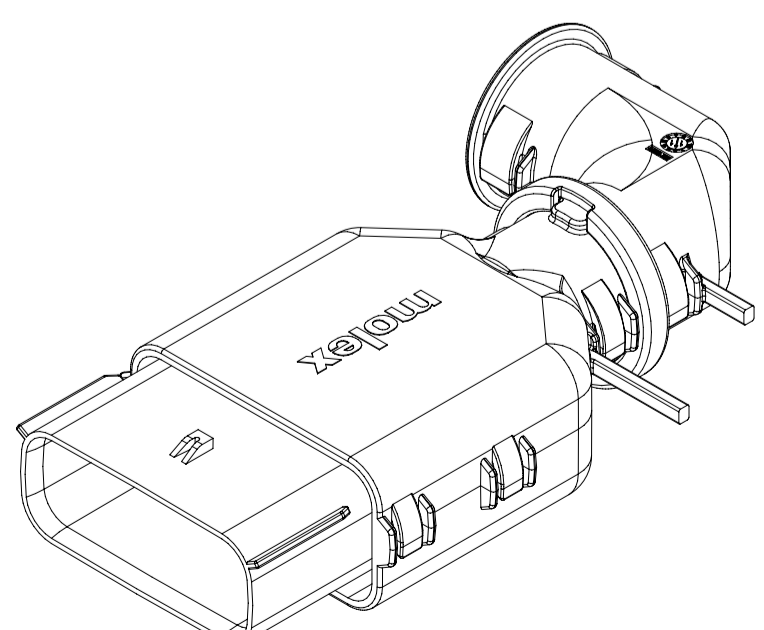
2X4



2X6



2X8



2X10

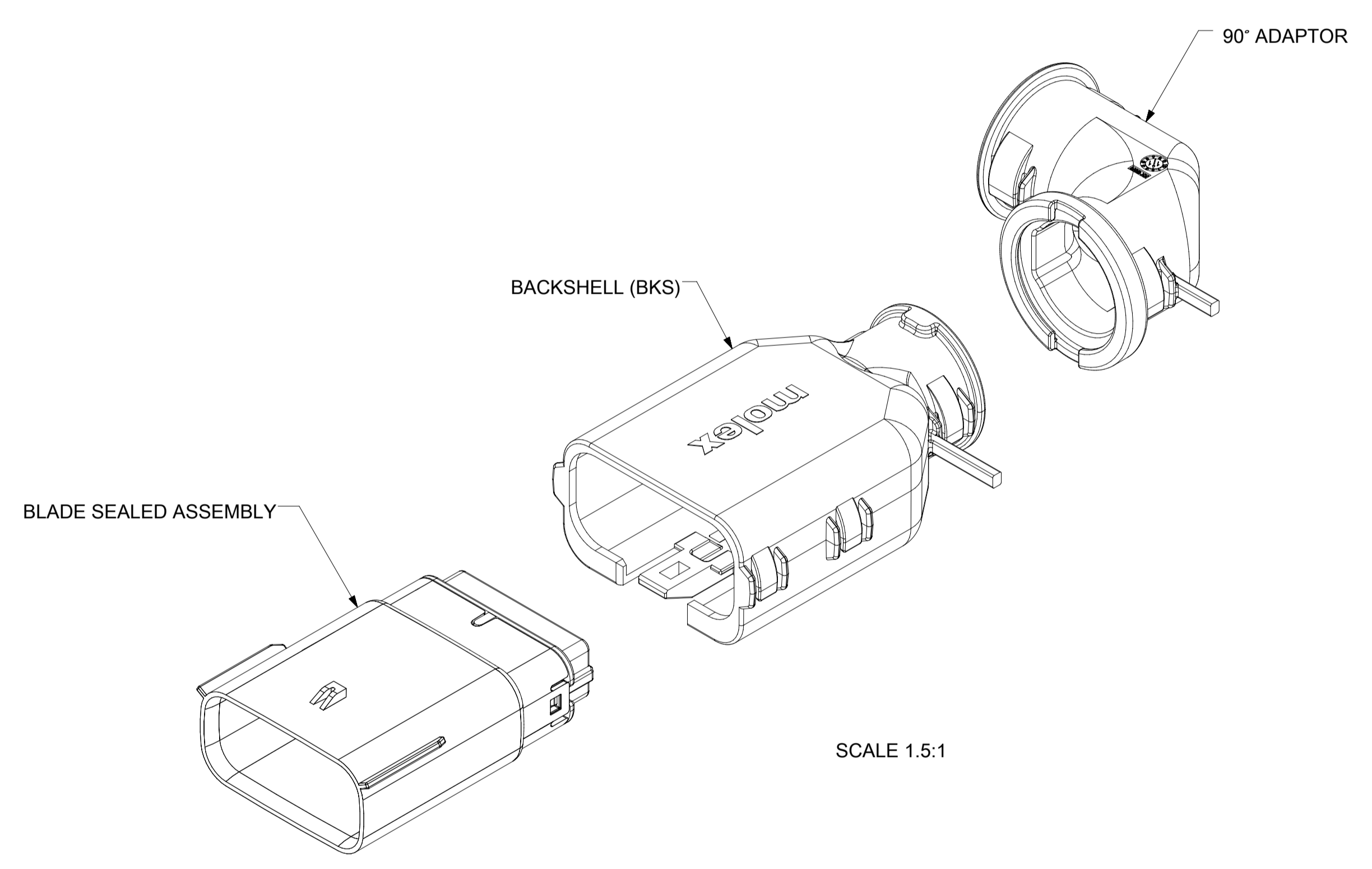
BACKSHELL CUSTOMER MODEL NUMBER LEGEND

34950-XXXX

- CUSTOMER MODEL COMPONENTS  
0 - SCHLEMMER BACKSHELL ONLY  
1 - SCHLEMMER BACKSHELL & MX150 HOUSING KEY A ASSEMBLY  
2 - SCHLEMMER BACKSHELL & MX150 HOUSING KEY B ASSEMBLY  
3 - SCHLEMMER BACKSHELL & MX150 HOUSING KEY C ASSEMBLY  
4 - SCHLEMMER BACKSHELL & MX150 HOUSING KEY D ASSEMBLY  
5 - MOLEX BACKSHELL ONLY  
6 - MOLEX BACKSHELL & MX150 HOUSING KEY A ASSEMBLY  
7 - MOLEX BACKSHELL & MX150 HOUSING KEY B ASSEMBLY  
8 - MOLEX BACKSHELL & MX150 HOUSING KEY C ASSEMBLY  
9 - MOLEX BACKSHELL & MX150 HOUSING KEY D ASSEMBLY

- BACKSHELL FEATURES  
1 - WITH RIBS  
2 - WITHOUT RIBS  
3 - 90° ADAPTOR

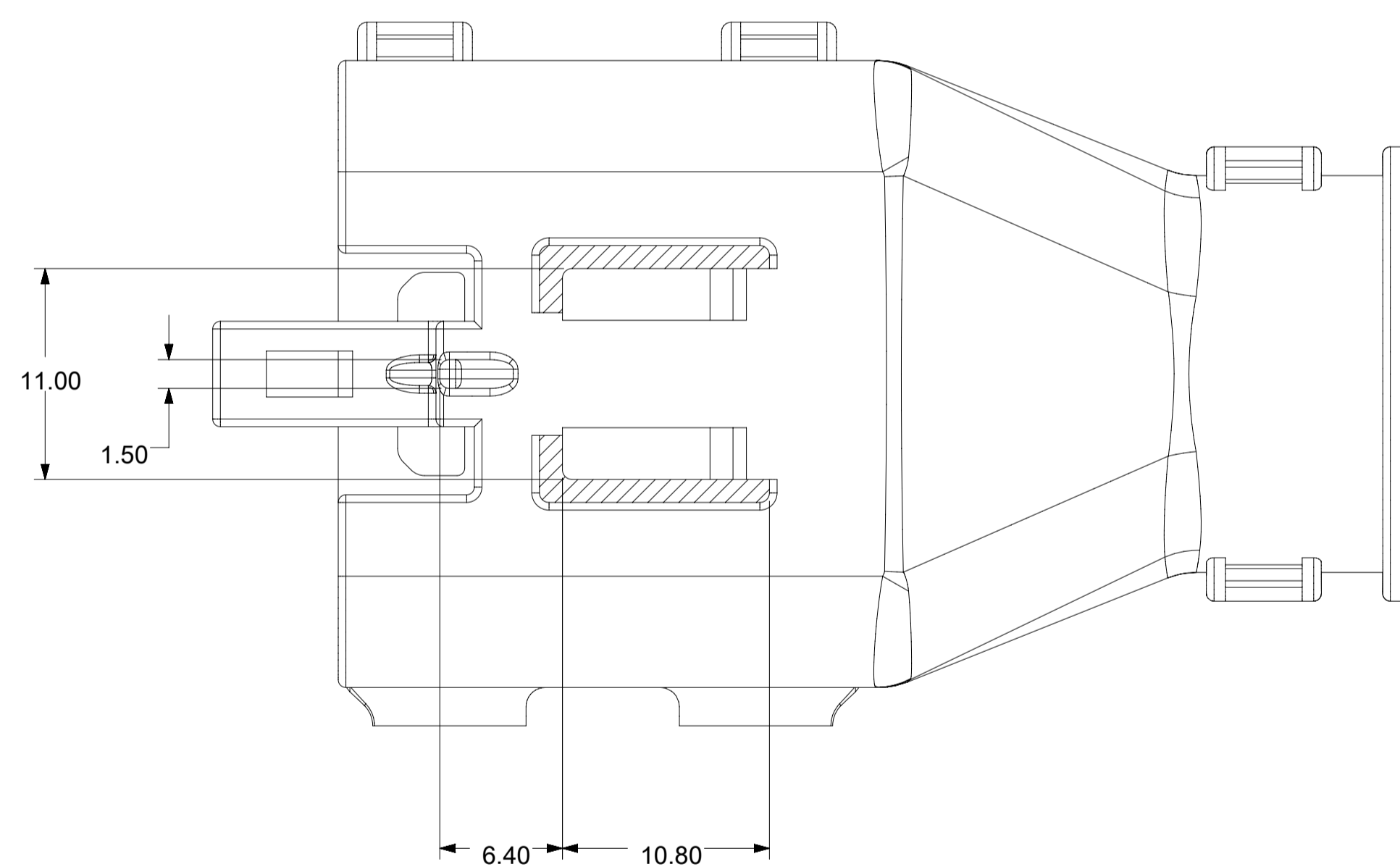
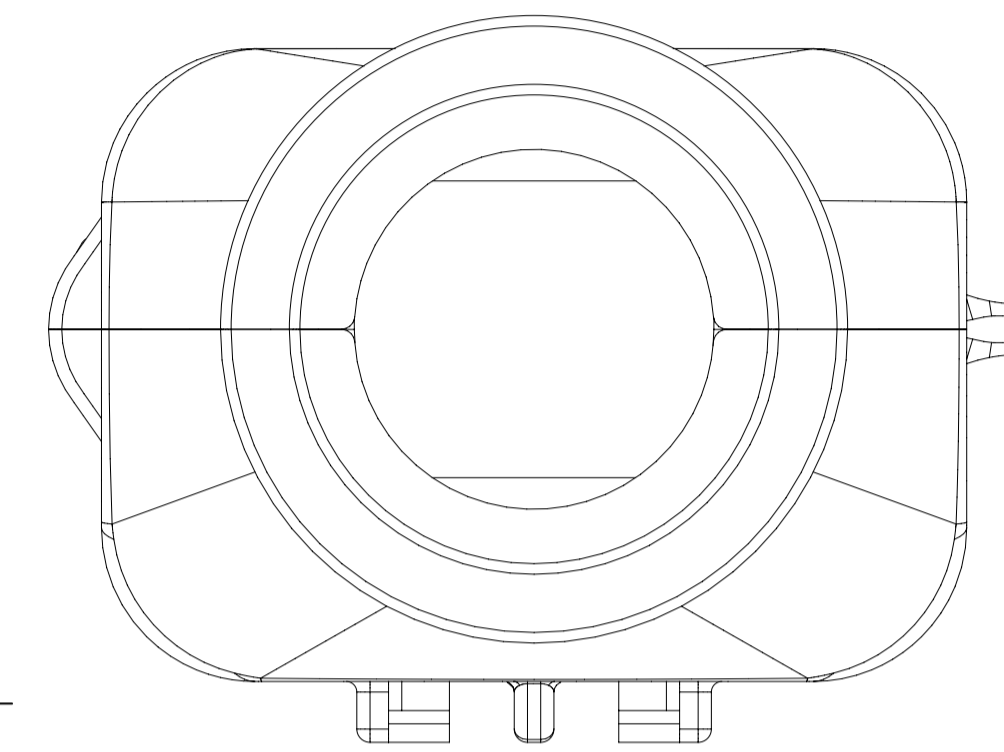
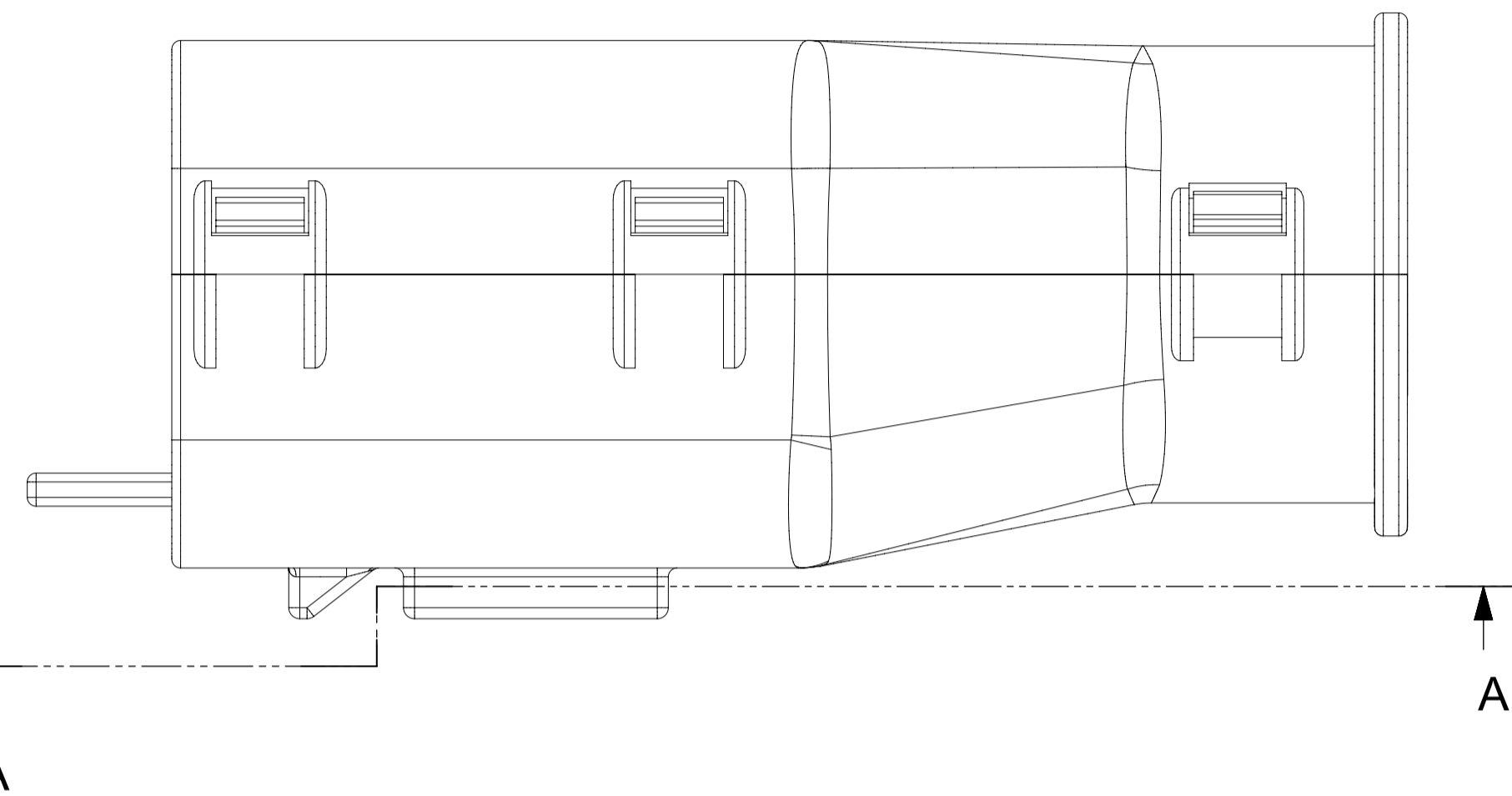
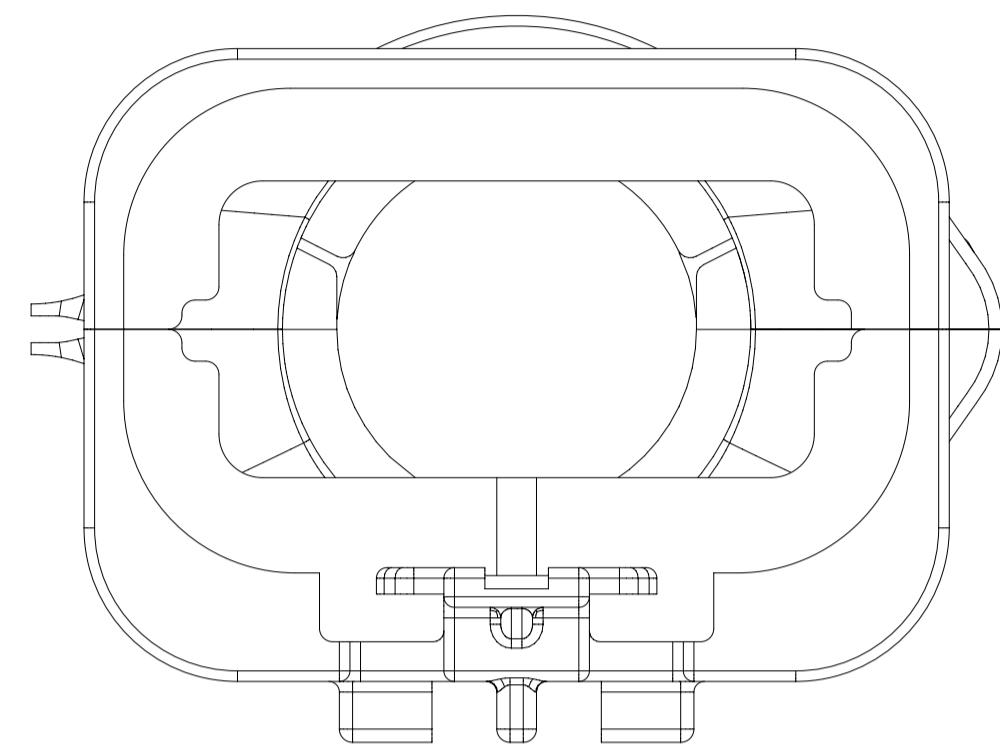
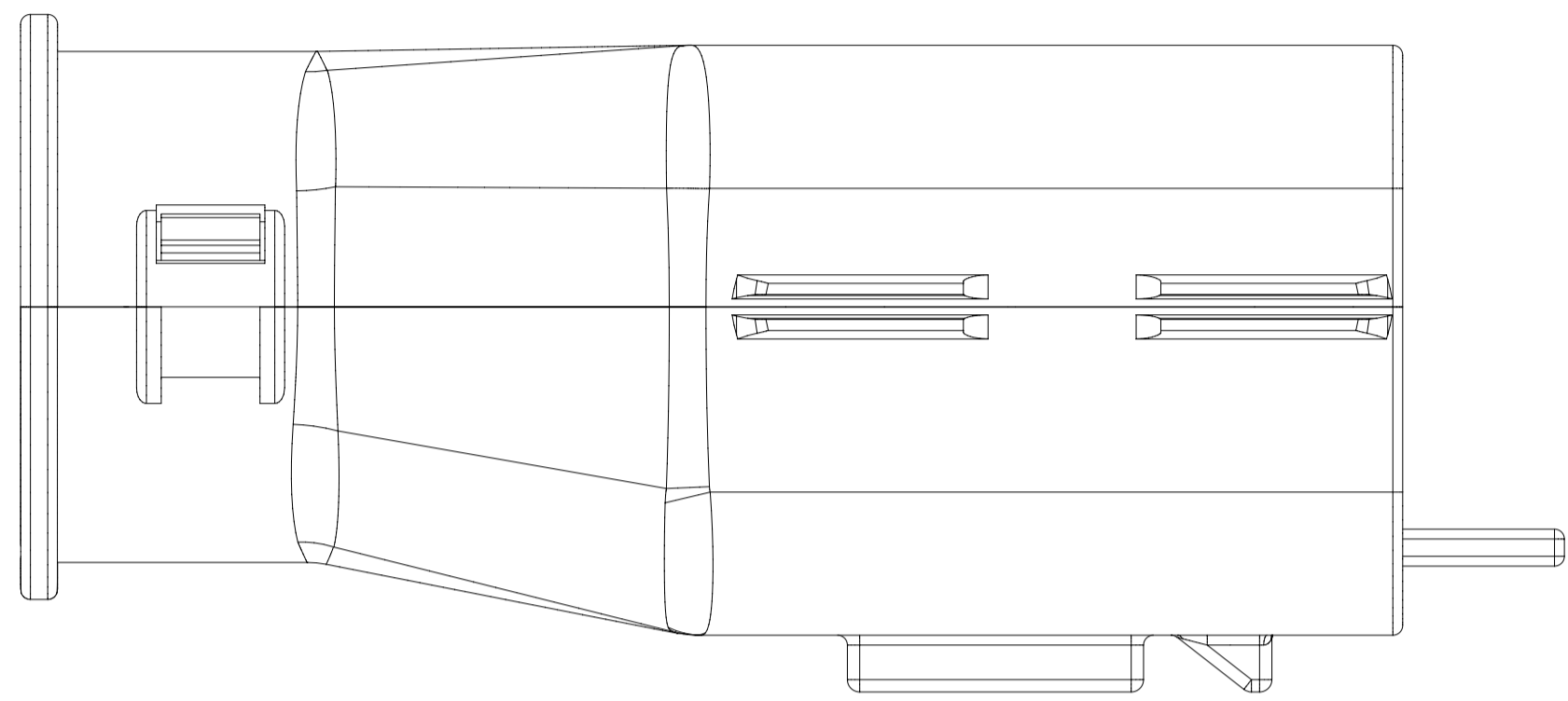
MX150 CIRCUIT SIZE 04, 06, 08, 12, 16, 20



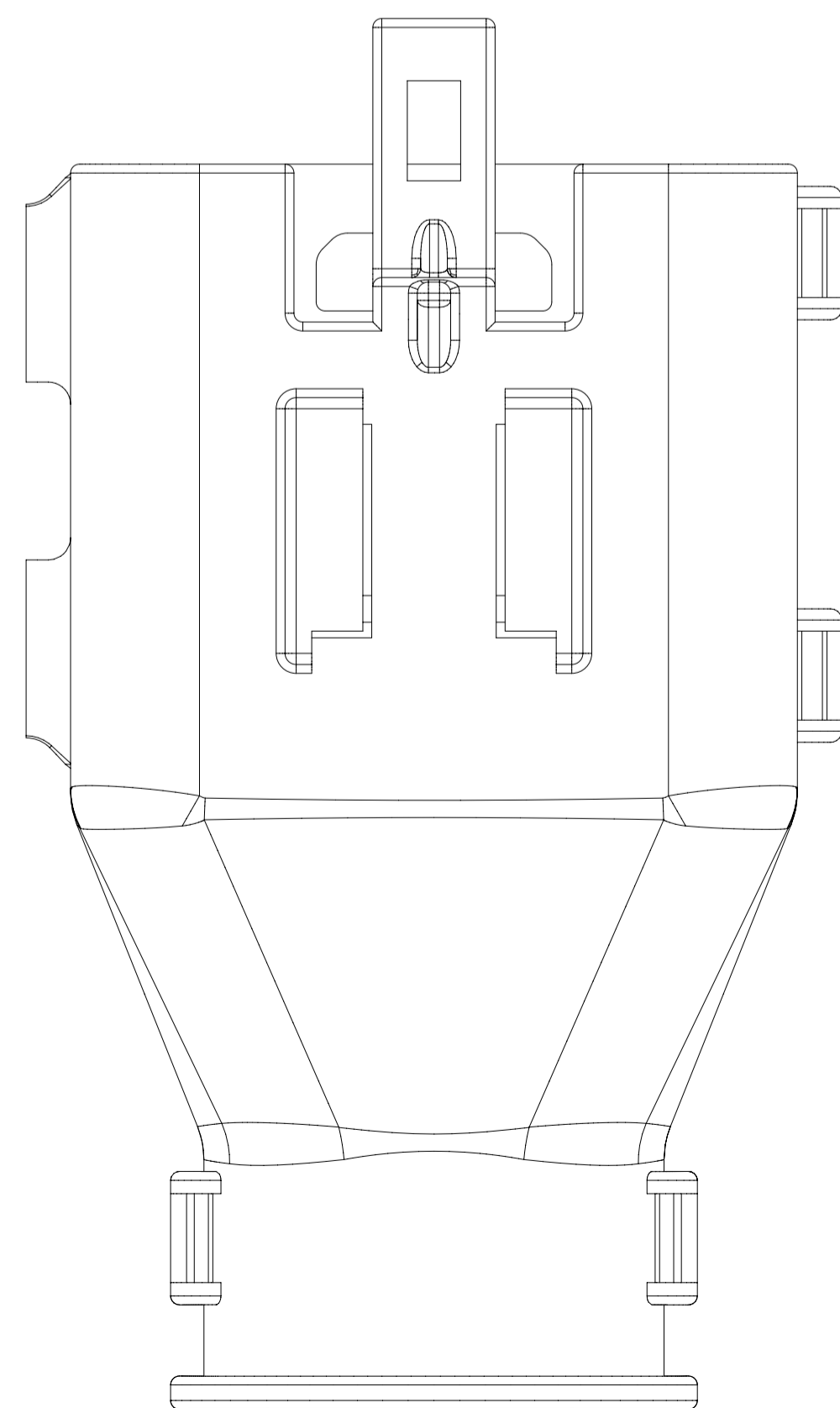
<b>SYMBOLS</b> = 0 = 0 = 0 = 0 = 0 = 0 = 0 = 0 = 0	THIS DRAWING CONTAINS INFORMATION THAT IS PROPRIETARY TO MOLEX ELECTRONIC TECHNOLOGIES, LLC AND SHOULD NOT BE USED WITHOUT WRITTEN PERMISSION	DIMENSION UNITS: <b>mm</b> SCALE: <b>1.5:1</b>	CURRENT REV DESC: EC NO: 171650 DRWN: PMANJUNATHAC 2018/01/03 CHK'D: MVANSLAMBROU 2018/02/16 APPR: MVANSLAMBROU 2018/02/16	 MX150 BLADE DUAL ROW SEALED ASSEMBLY MAT SEAL		
	GENERAL TOLERANCES (UNLESS SPECIFIED) ANGULAR TOL ± 1.0° 4 PLACES ± 3 PLACES ± 2 PLACES ± 0.1 1 PLACE ± 0.2 0 PLACES ±	INITIAL REVISION: DRWN: APROFFITT 2014/04/28 APPR: VKOSHY 2014/05/14	PRODUCT CUSTOMER DRAWING DOCUMENT NUMBER: <b>SD-33482-0001</b> DOC TYPE: PSD DOC PART: 001 REVISION: E2			
DRAFT WHERE APPLICABLE MUST REMAIN WITHIN DIMENSIONS	THIRD ANGLE PROJECTION	DRAWING: <b>A1-SIZE</b>	SERIES: <b>33482</b>	MATERIAL NUMBER:	CUSTOMER: <b>GENERAL MARKET</b>	SHEET NUMBER: <b>7 OF 11</b>

SHEET DESCRIPTION

SCHLEMMER BACKSHELL



SECTION A-A

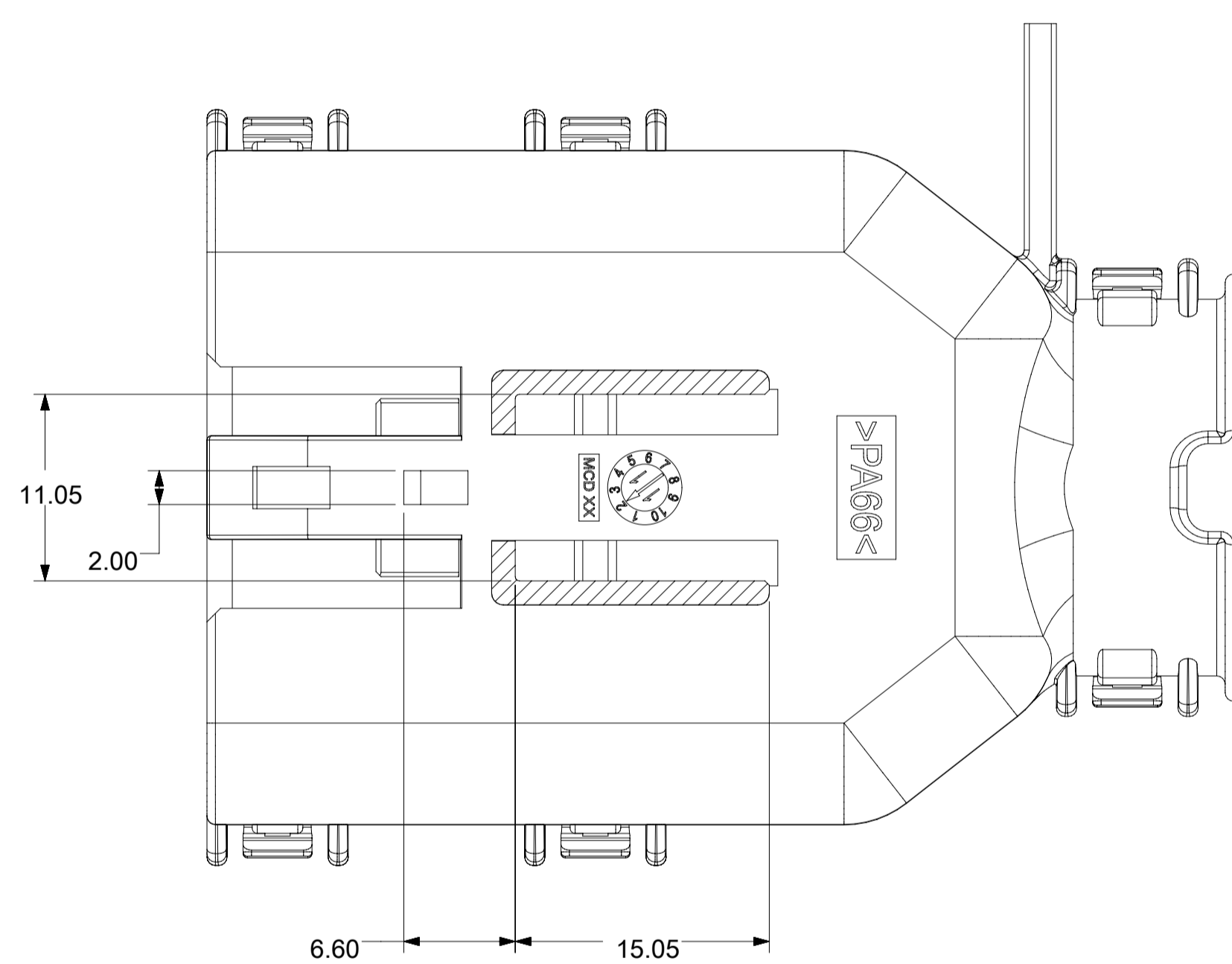
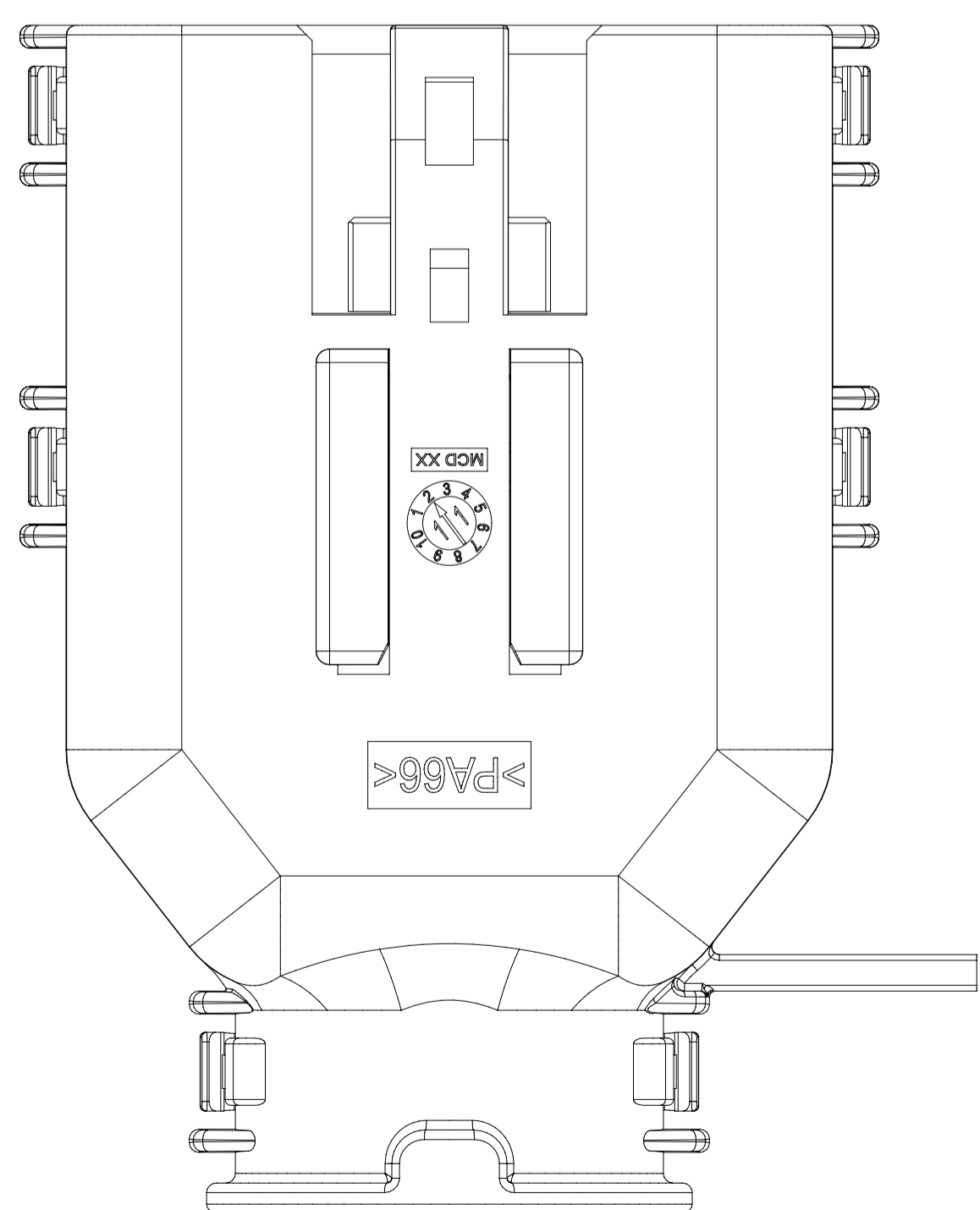
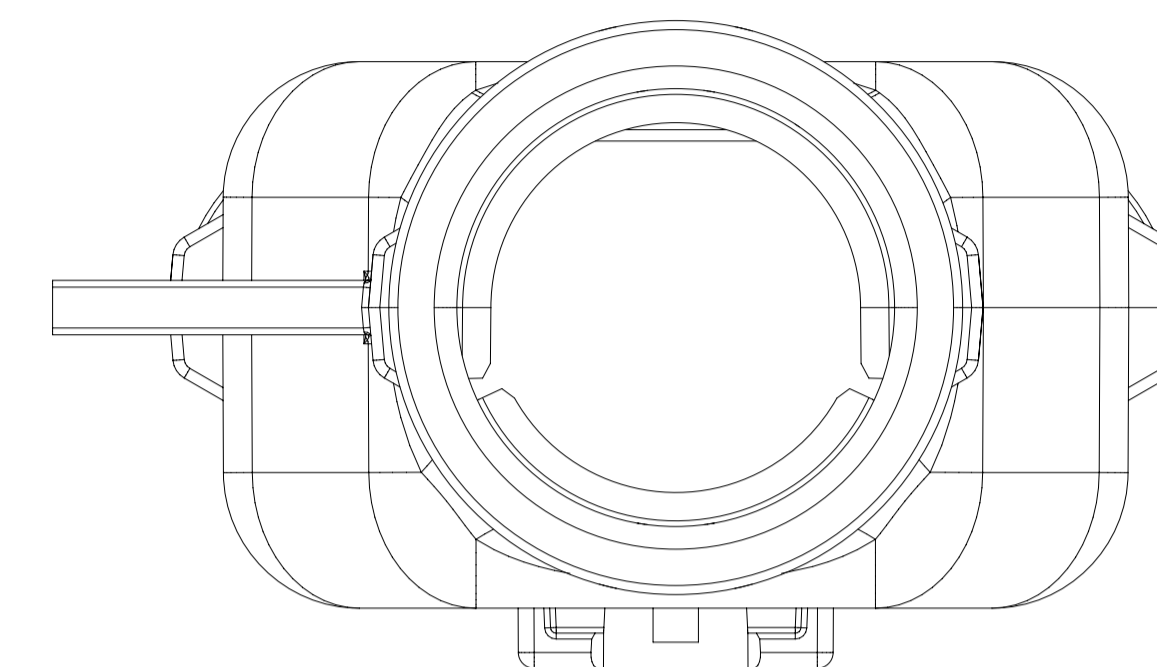
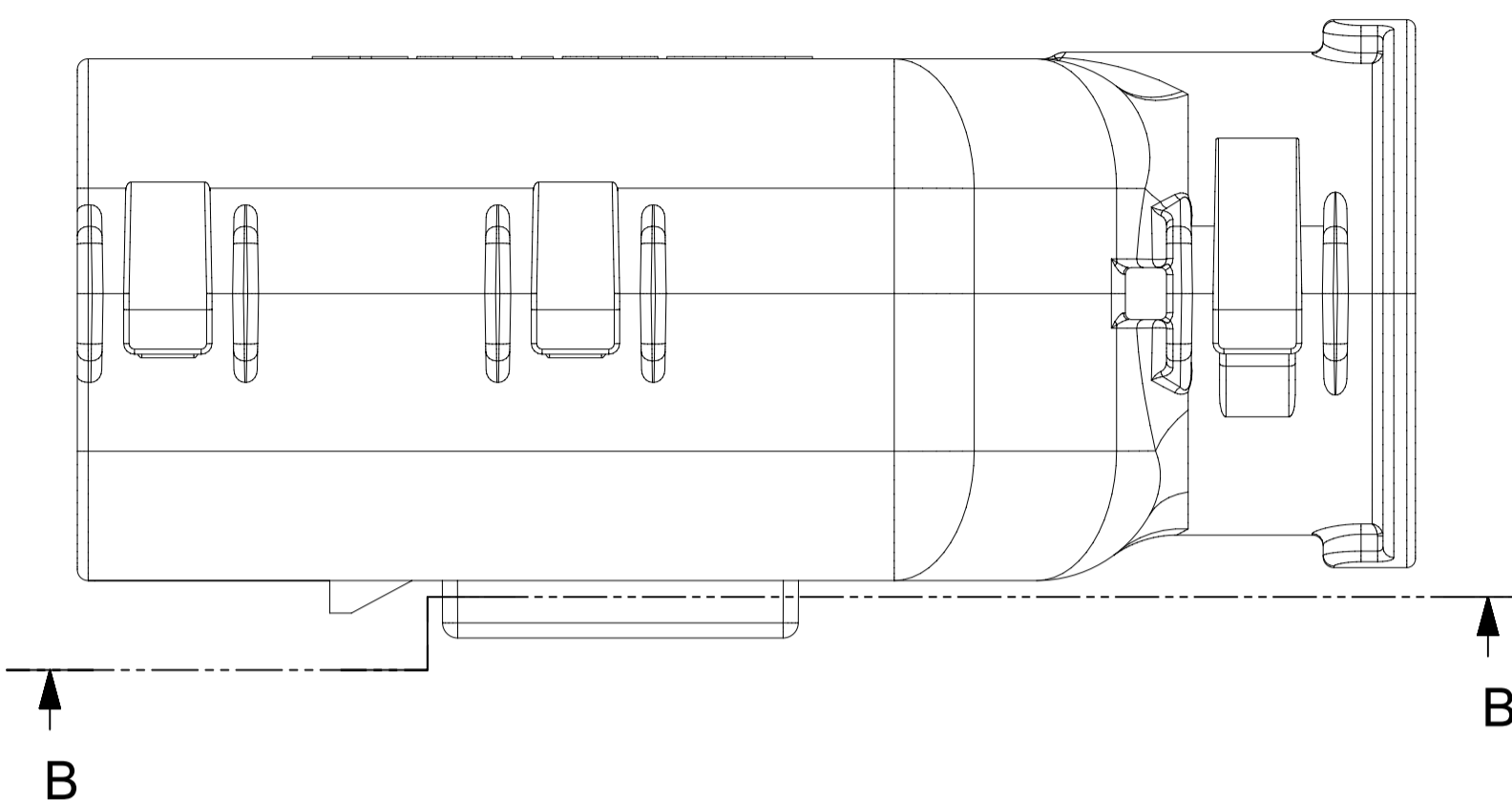
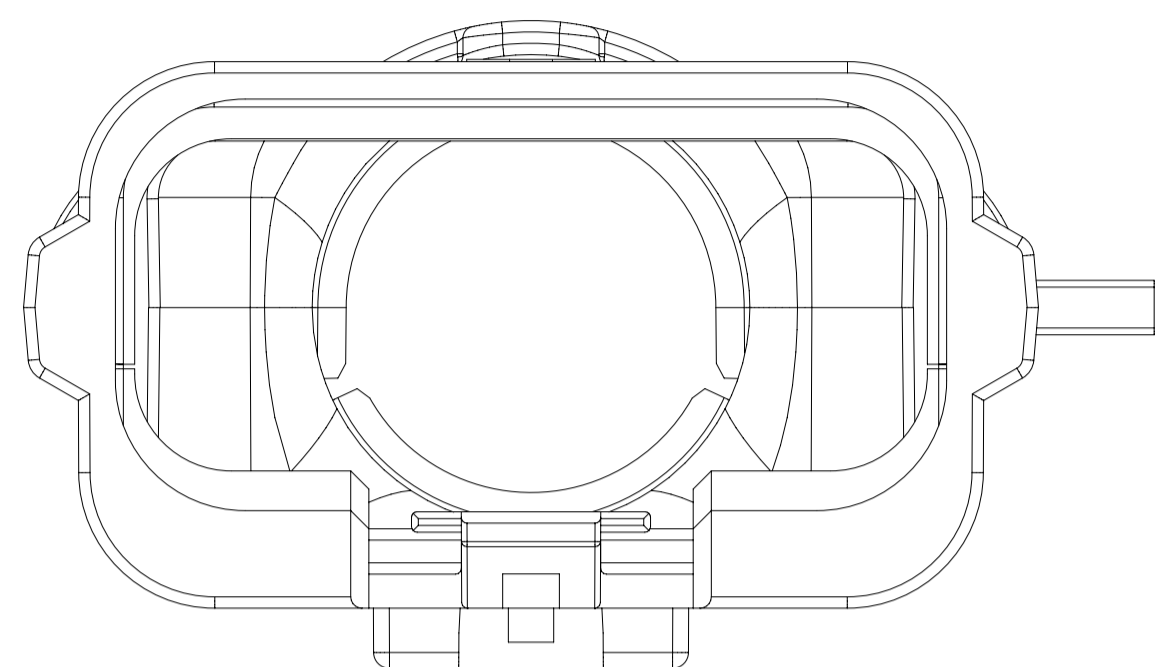
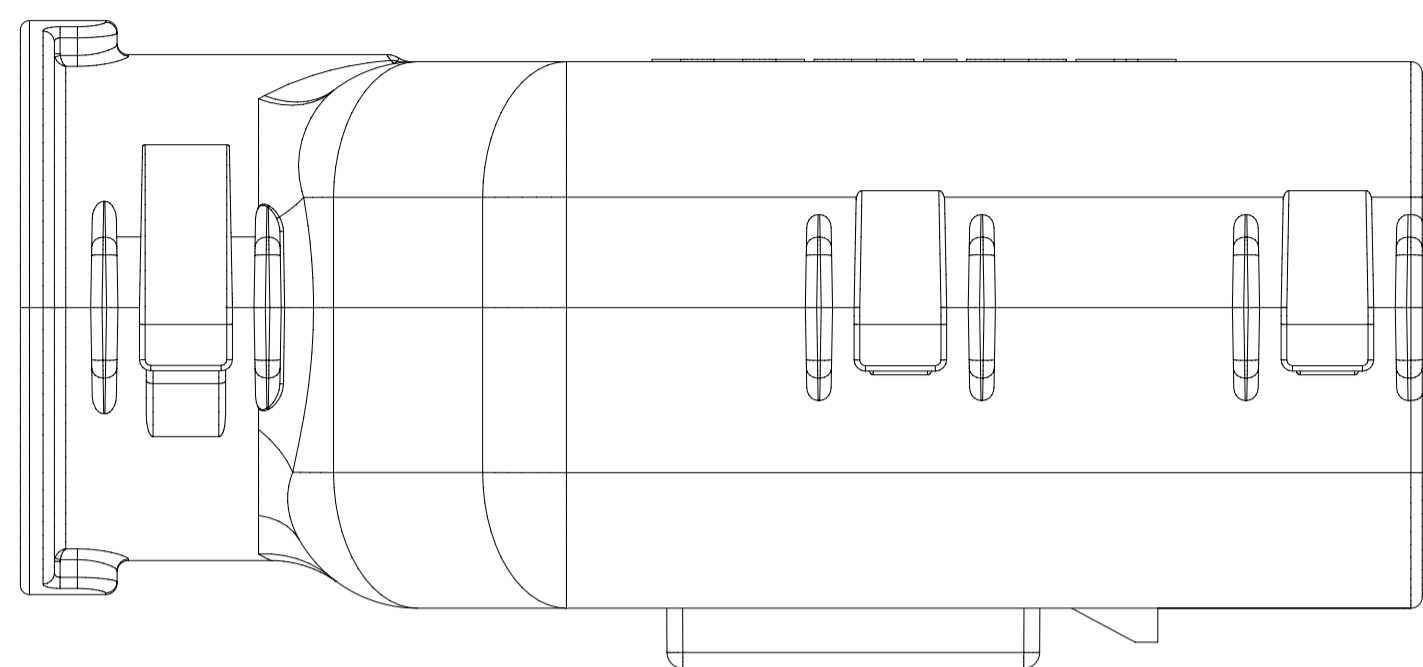


<p><b>SYMBOLS</b></p> <table border="1"> <tr> <td></td> <td>= 0</td> </tr> <tr> <td></td> <td>= 0</td> </tr> <tr> <td></td> <td>= 0</td> </tr> <tr> <td></td> <td>= 0</td> </tr> <tr> <td></td> <td>= 0</td> </tr> <tr> <td></td> <td>= 0</td> </tr> <tr> <td></td> <td>= 0</td> </tr> <tr> <td></td> <td>= 0</td> </tr> <tr> <td></td> <td>= 0</td> </tr> <tr> <td></td> <td>= 0</td> </tr> <tr> <td></td> <td>= 0</td> </tr> <tr> <td></td> <td>= 0</td> </tr> <tr> <td></td> <td>= 0</td> </tr> <tr> <td></td> <td>= 0</td> </tr> <tr> <td></td> <td>= 0</td> </tr> <tr> <td></td> <td>= 0</td> </tr> <tr> <td></td> <td>= 0</td> </tr> </table>		= 0		= 0		= 0		= 0		= 0		= 0		= 0		= 0		= 0		= 0		= 0		= 0		= 0		= 0		= 0		= 0		= 0	<p>THIS DRAWING CONTAINS INFORMATION THAT IS PROPRIETARY TO MOLEX ELECTRONIC TECHNOLOGIES, LLC AND SHOULD NOT BE USED WITHOUT WRITTEN PERMISSION</p>		<p>SCALE: <b>3.5:1</b></p>		<p>CURRENT REV DESC:</p>			
		= 0																																								
		= 0																																								
		= 0																																								
		= 0																																								
	= 0																																									
	= 0																																									
	= 0																																									
	= 0																																									
	= 0																																									
	= 0																																									
	= 0																																									
	= 0																																									
	= 0																																									
	= 0																																									
	= 0																																									
	= 0																																									
	= 0																																									
<p>GENERAL TOLERANCES (UNLESS SPECIFIED)</p>		<p>EC NO: 171650</p>		<p>DRWN: PMANJUNATHAC 2018/01/03</p>		<p>MX150 BLADE</p>																																				
<p>ANGULAR TOL ± 1.0°</p>		<p>CHK'D: MVANSLAMBROU 2018/02/16</p>		<p>APPR: MVANSLAMBROU 2018/02/16</p>		<p>DUAL ROW SEALED ASSEMBLY MAT SEAL</p>																																				
<p>4 PLACES ±</p>		<p>INITIAL REVISION:</p>		<p>DRWN: APROFFITT 2014/04/28</p>		<p>PRODUCT CUSTOMER DRAWING</p>																																				
<p>3 PLACES ±</p>		<p>DRWN: APROFFITT 2014/05/14</p>		<p>APPR: VKOSHY 2014/05/14</p>		<p>DOCUMENT NUMBER: <b>SD-33482-0001</b></p>																																				
<p>2 PLACES ± 0.1</p>		<p>DRAFT WHERE APPLICABLE MUST REMAIN WITHIN DIMENSIONS</p>		<p>THIRD ANGLE PROJECTION</p>		<p>DOC TYPE: PSD</p>																																				
<p>1 PLACE ± 0.2</p>		<p>0 PLACES ±</p>		<p>DRAWING: <b>A1-SIZE</b></p>		<p>DOC PART: 001</p>																																				
<p>0 PLACES ±</p>		<p>THIRD ANGLE PROJECTION</p>		<p>SERIES: <b>33482</b></p>		<p>REVISION: <b>E2</b></p>																																				
<p>0 PLACES ±</p>		<p>THIRD ANGLE PROJECTION</p>		<p>DRAWING: <b>A1-SIZE</b></p>		<p>CUSTOMER: <b>GENERAL MARKET</b></p>																																				
<p>0 PLACES ±</p>		<p>THIRD ANGLE PROJECTION</p>		<p>SERIES: <b>33482</b></p>		<p>SHEET NUMBER: <b>8 OF 11</b></p>																																				



18 17 16 15 14 13 12 11 10 9 8 7 6 5 4 3 2 1

**SHEET DESCRIPTION**  
MOLEX BACKSHELL



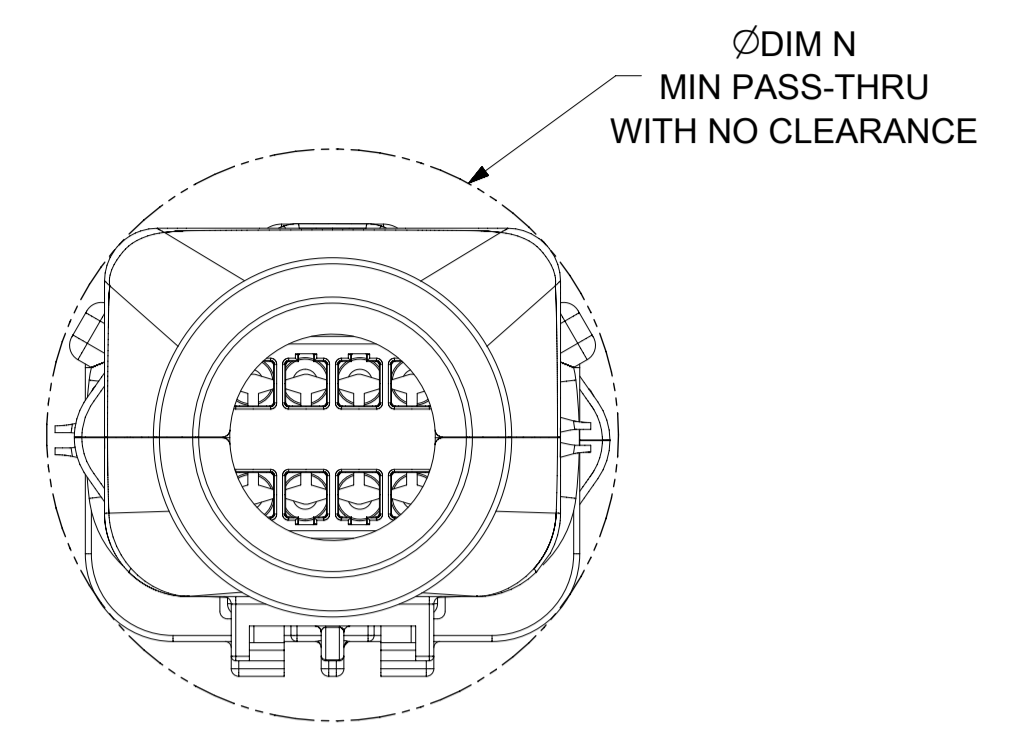
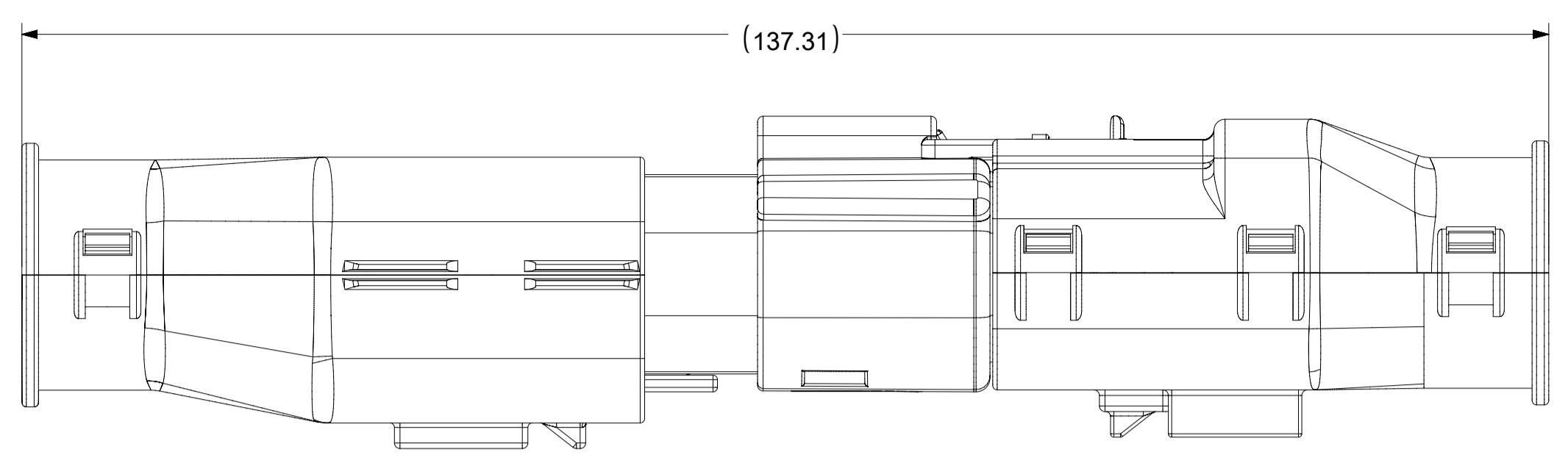
SECTION B-B

<b>SYMBOLS</b> = 0 = 0 = 0 = 0 = 0 = 0 = 0 = 0 = 0 = 0 = 0	THIS DRAWING CONTAINS INFORMATION THAT IS PROPRIETARY TO MOLEX ELECTRONIC TECHNOLOGIES, LLC AND SHOULD NOT BE USED WITHOUT WRITTEN PERMISSION		CURRENT REV DESC:		 MX150 BLADE DUAL ROW SEALED ASSEMBLY MAT SEAL			
	DIMENSION UNITS	SCALE	EC NO: 171650					DOCUMENT NUMBER
	mm	3:1	DRWN: PMANJUNATHAC 2018/01/03		SD-33482-0001	PSD	001	E2
	GENERAL TOLERANCES (UNLESS SPECIFIED)		CHK'D: MVANSLAMBROU 2018/02/16		PRODUCT CUSTOMER DRAWING			
ANGULAR TOL ± 1.0°		APPR: MVANSLAMBROU 2018/02/16		INITIAL REVISION:				
4 PLACES ±		DRWN: APROFFITT 2014/04/28		MATERIAL NUMBER				
3 PLACES ±		APPR: VKOSHY 2014/05/14		CUSTOMER				
2 PLACES ± 0.1		DRAWING		GENERAL MARKET				
1 PLACE ± 0.2		SERIES		SHEET NUMBER				
0 PLACES ±		A1-SIZE		9 OF 11				
DRAFT WHERE APPLICABLE MUST REMAIN WITHIN DIMENSIONS		THIRD ANGLE PROJECTION						

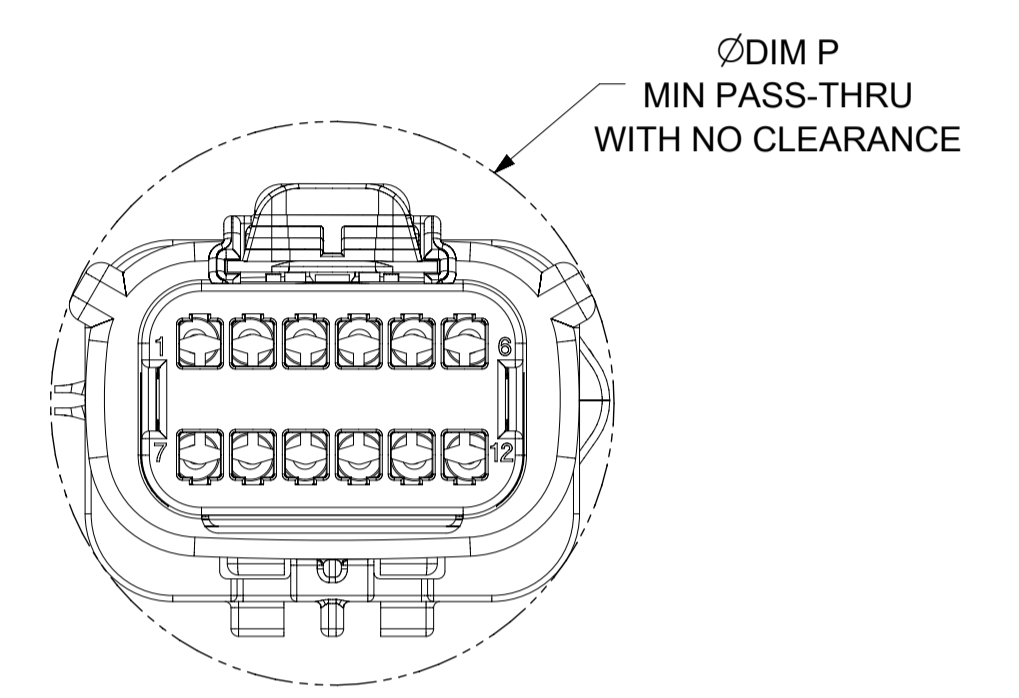
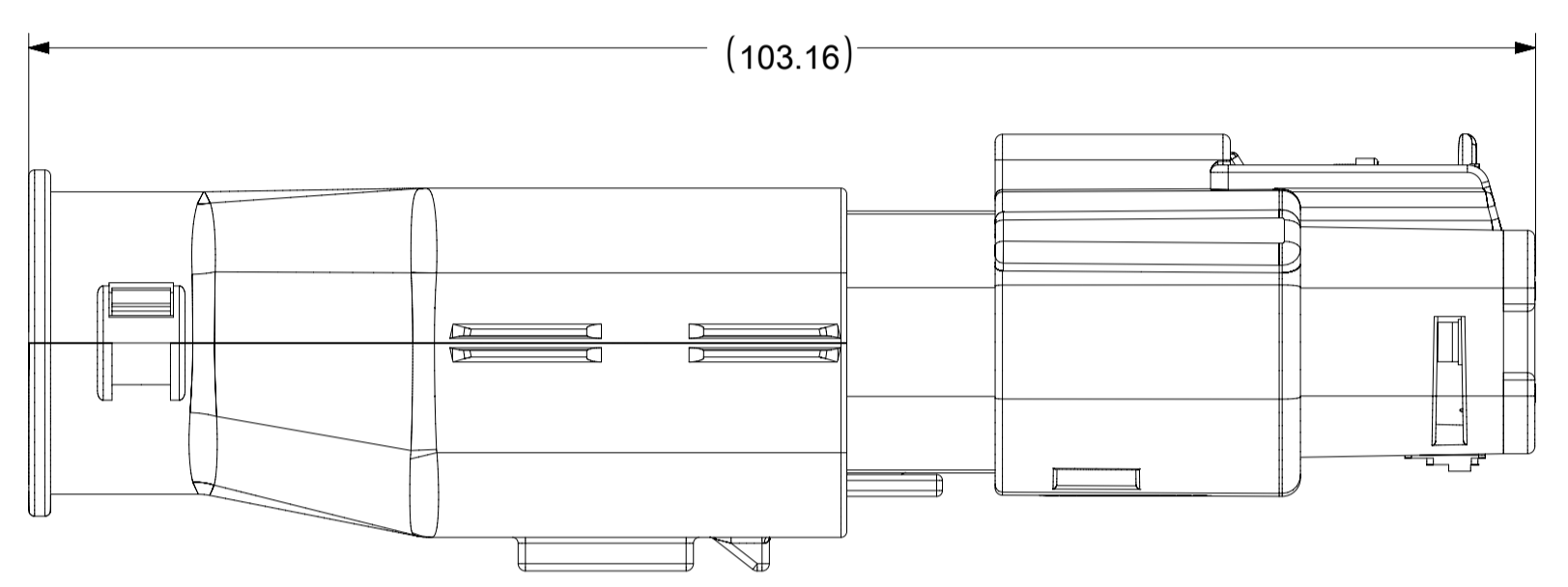
18 17 16 15 14 13 12 11 10 9 8 7 6 5 4 3 2 1

**SHEET DESCRIPTION**  
SCHLEMMER BACKSHELL CONFIGURATIONS

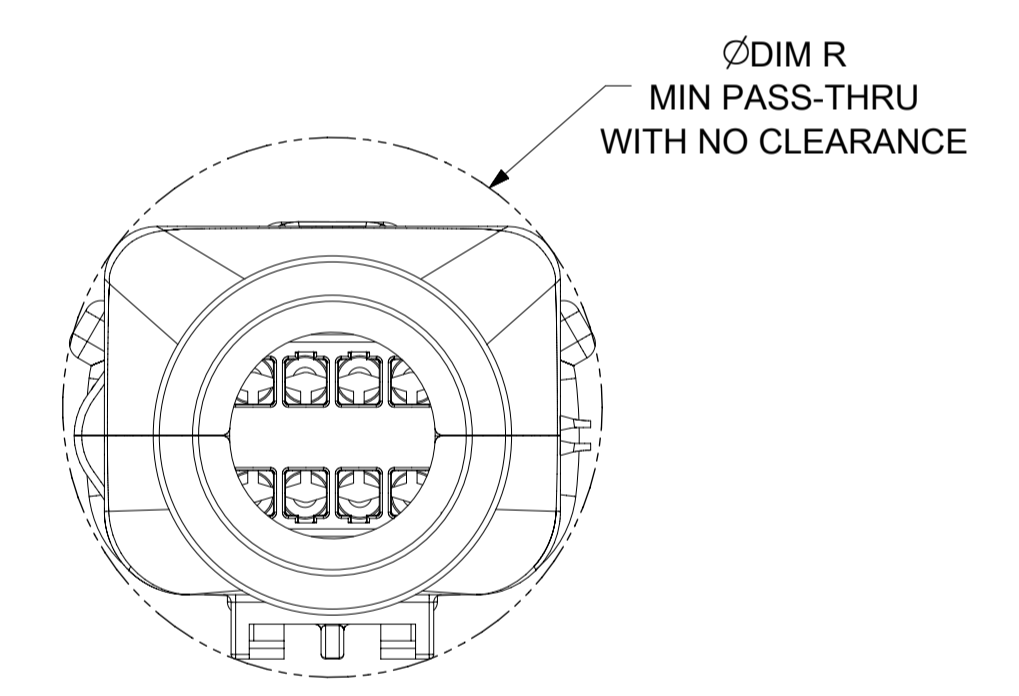
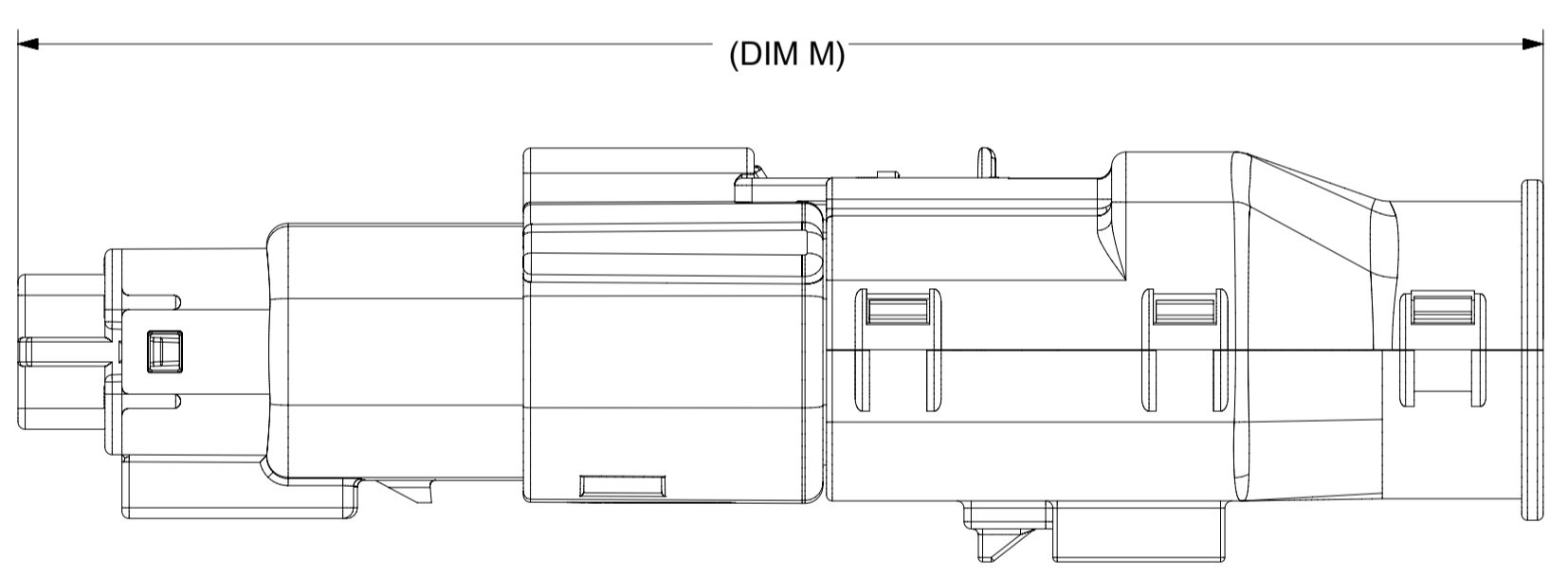
CKT	BLADE CONFIGURATION	RECEPTACLE CONFIGURATION	DIMENSIONS				
			M	N	P	R	T
2X3	STANDARD	STANDARD	106.83	32.75	31.75	29.00	29.50
	LENGTHENED		108.71				
2X4	STANDARD	STANDARD	106.83	33.50	31.90	30.70	30.70
2X6	STANDARD	STANDARD	106.83	37.84	37.27	35.83	36.83



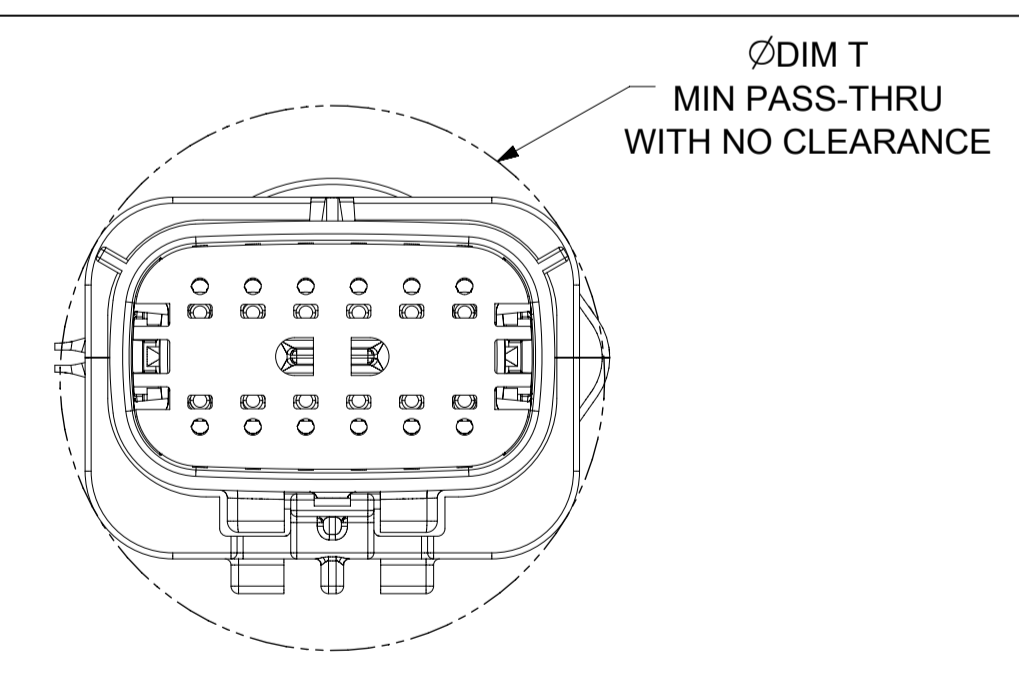
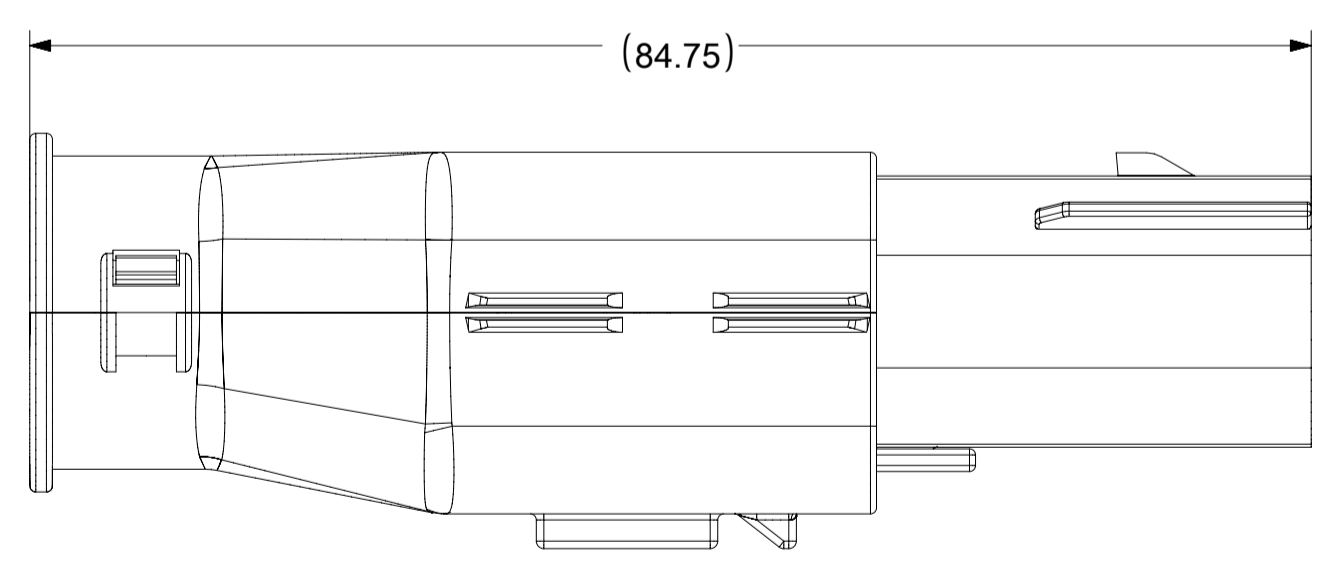
OVERALL MATED SYSTEM WITH BLADE AND RECEPTACLE BACKSHELL



OVERALL MATED SYSTEM WITH BLADE BACKSHELL



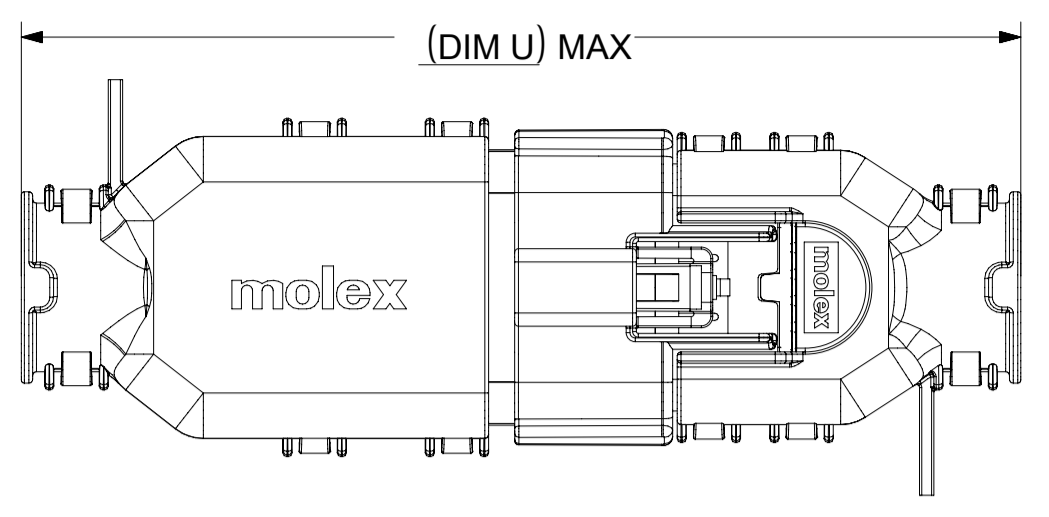
OVERALL MATED SYSTEM WITH RECEPTACLE BACKSHELL



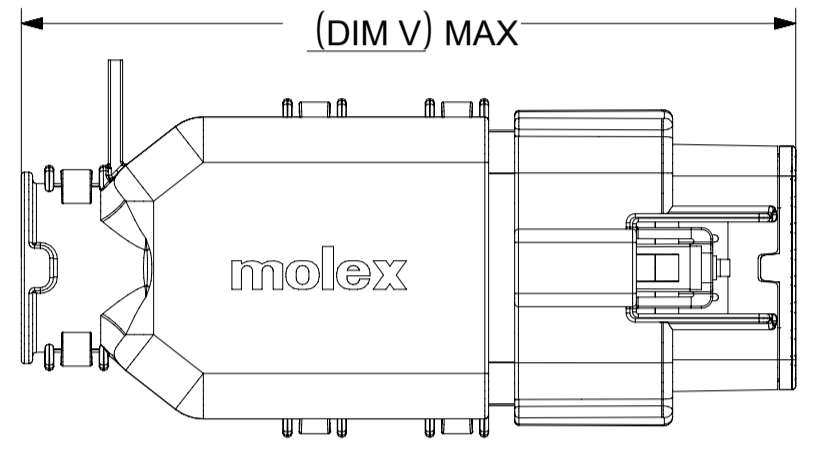
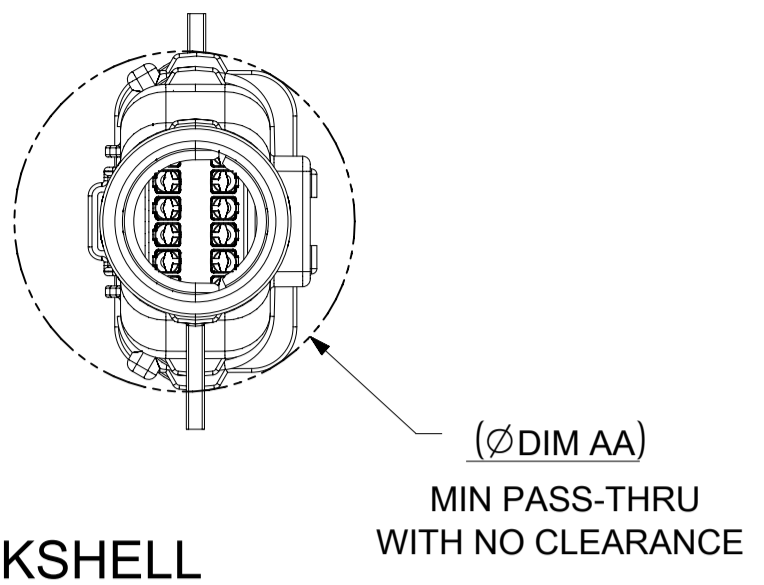
BLADE SEALED ASSEMBLY WITH BLADE BACKSHELL

<b>SYMBOLS</b> = 0 = 0 = 0 = 0 = 0 = 0 = 0 = 0 = 0	THIS DRAWING CONTAINS INFORMATION THAT IS PROPRIETARY TO MOLEX ELECTRONIC TECHNOLOGIES, LLC AND SHOULD NOT BE USED WITHOUT WRITTEN PERMISSION DIMENSION UNITS: <b>mm</b> SCALE: <b>2:1</b>	CURRENT REV DESC: EC NO: 171650 DRWN: PMANJUNATHAC 2018/01/03 CHK'D: MVANSLAMBROU 2018/02/16 APPR: MVANSLAMBROU 2018/02/16 INITIAL REVISION: DRWN: APROFFITT 2014/04/28 APPR: VKOSHY 2014/05/14	 MX150 BLADE DUAL ROW SEALED ASSEMBLY MAT SEAL		
	GENERAL TOLERANCES (UNLESS SPECIFIED) ANGULAR TOL ± 1.0° 4 PLACES ± 3 PLACES ± 2 PLACES ± 0.1 1 PLACE ± 0.2 0 PLACES ±	PRODUCT CUSTOMER DRAWING			
	DRAFT WHERE APPLICABLE MUST REMAIN WITHIN DIMENSIONS	THIRD ANGLE PROJECTION	DRAWING: <b>A1-SIZE</b> SERIES: <b>33482</b>	DOCUMENT NUMBER: <b>SD-33482-0001</b> DOC TYPE: PSD DOC PART: 001 REVISION: E2	
		MATERIAL NUMBER:	CUSTOMER: <b>GENERAL MARKET</b>	SHEET NUMBER: <b>10 OF 11</b>	
	<b>DOCUMENT STATUS</b> P1 <b>RELEASE DATE</b> 2018/02/16 22:02:26				

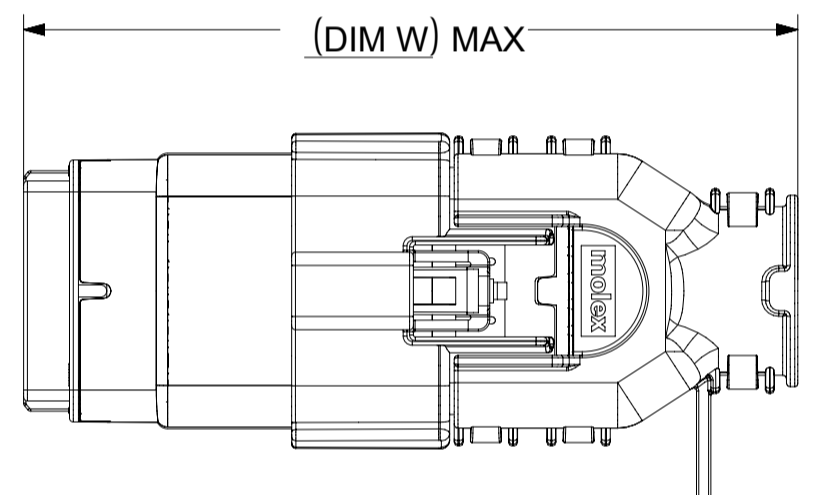
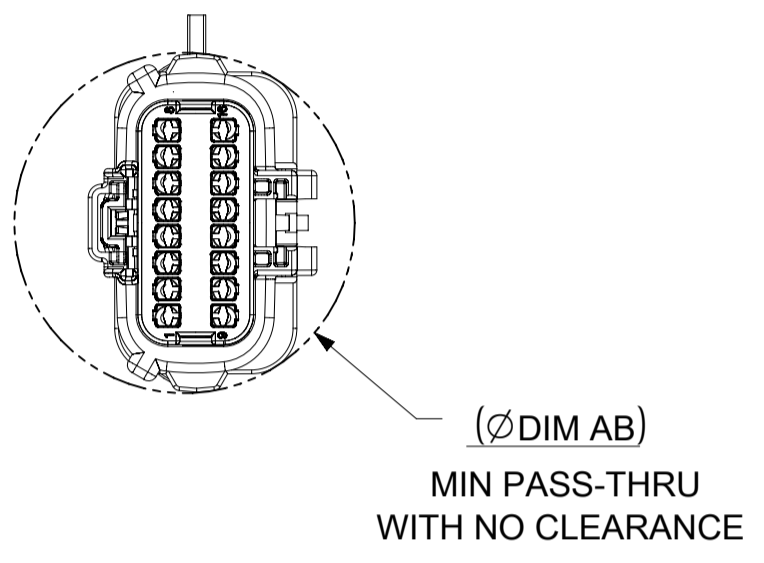
**SHEET DESCRIPTION**  
MOLEX BACKSHELL CONFIGURATIONS



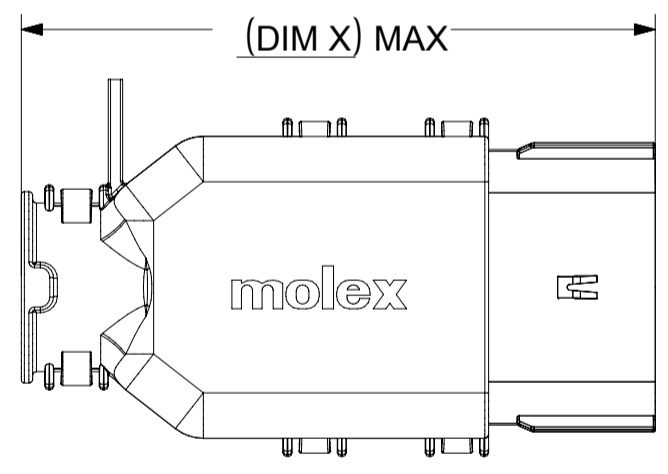
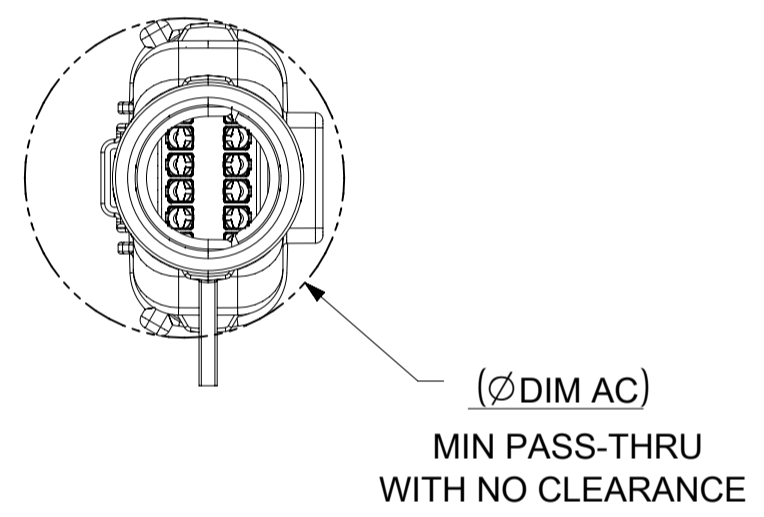
OVERALL MATED SYSTEM WITH BLADE AND RECEPTACLE BACKSHELL



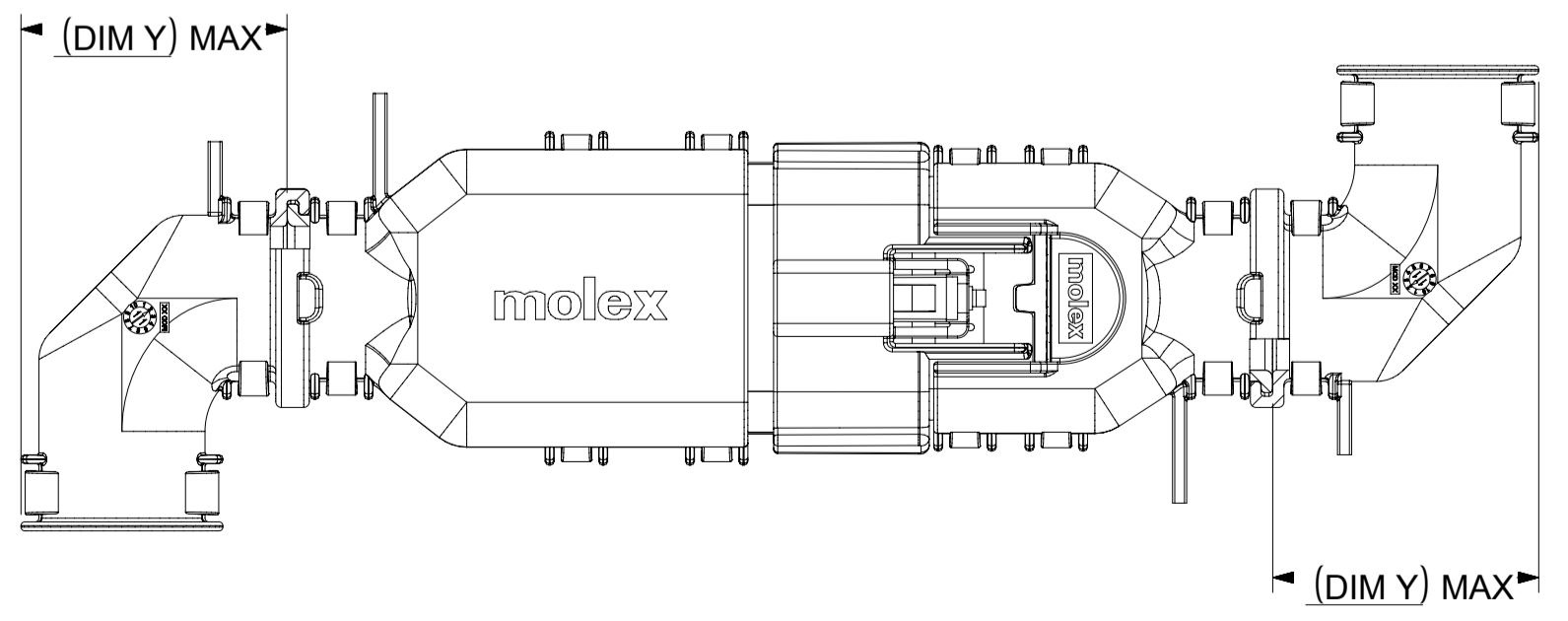
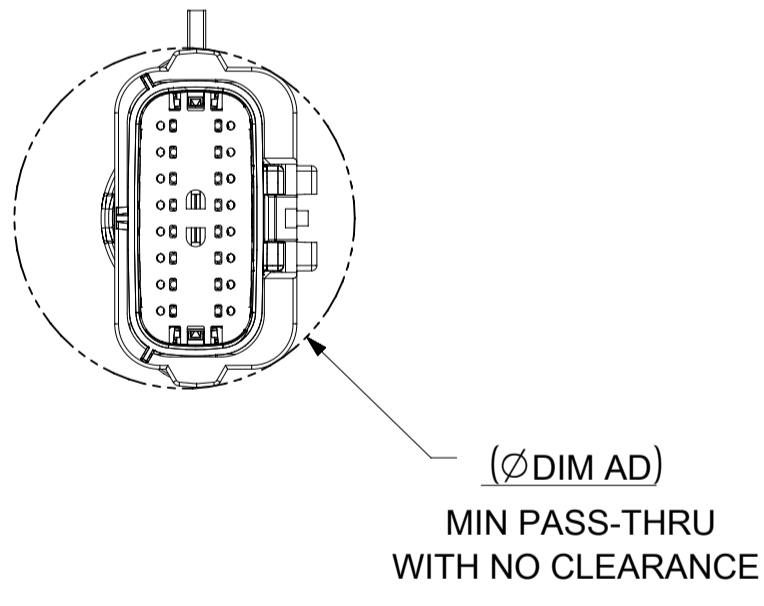
OVERALL MATED SYSTEM WITH BLADE BACKSHELL



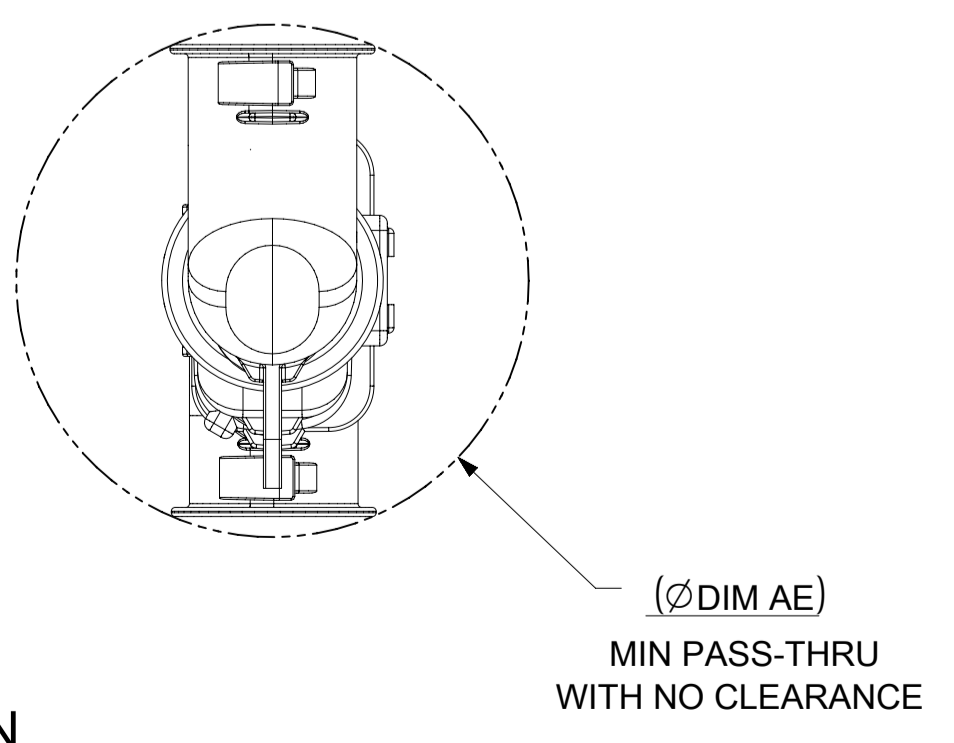
OVERALL MATED SYSTEM WITH RECEPTACLE BACKSHELL



BLADE SEALED ASSEMBLY WITH BLADE BACKSHELL



ADD THE VALUE OF 'Y' TO THE TOTAL DIMENSION WHENEVER ADAPTOR IS USED



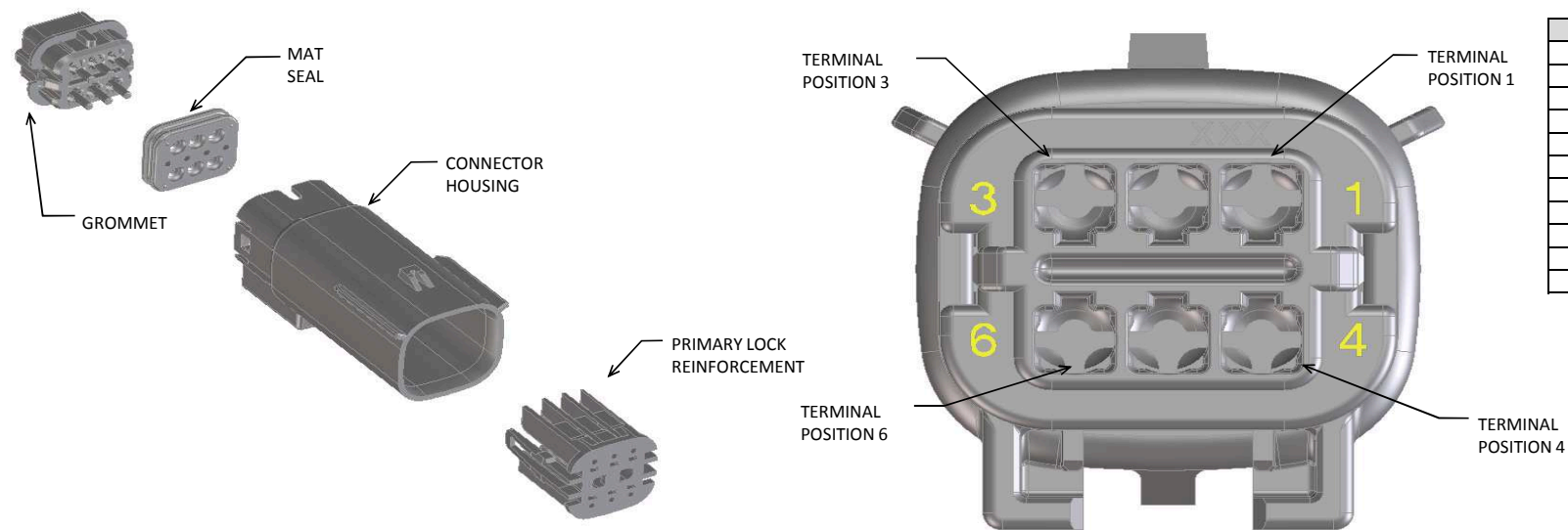
**CHARTED DIMENSIONS**

CKT	BLADE CONFIGURATION	RECEPTACLE CONFIGURATION	DIMENSIONS									
			U	V	W	X	Y	AA	AB	AC	AD	AE
2X4	STANDARD	STANDARD	115.24	94.36	93.93	75.62	32.10	32.93	32.54	32.85	31.76	56.81
2X8	STANDARD	STANDARD	132.49	102.81	102.73	84.07	36.10	45.44	45.44	42.65	45.44	68.18
2X10	STANDARD	STANDARD	132.49	102.81	102.73	84.07	36.10	45.44	45.44	42.65	45.44	68.18

SYMBOLS	THIS DRAWING CONTAINS INFORMATION THAT IS PROPRIETARY TO MOLEX ELECTRONIC TECHNOLOGIES, LLC AND SHOULD NOT BE USED WITHOUT WRITTEN PERMISSION		CURRENT REV DESC:		
	DIMENSION UNITS	SCALE			
▽ = 0	mm	1:1			MX150 BLADE DUAL ROW SEALED ASSEMBLY MAT SEAL
▽ = 0	GENERAL TOLERANCES (UNLESS SPECIFIED)				
▽ = 0	ANGULAR TOL ± 1.0°				PRODUCT CUSTOMER DRAWING
▽ = 0	4 PLACES	±			
▽ = 0	3 PLACES	±			DOCUMENT NUMBER: SD-33482-0001 DOC TYPE: PSD DOC PART: 001 REVISION: E2
▽ = 0	2 PLACES	± 0.1			
▽ = 0	1 PLACE	± 0.2			MATERIAL NUMBER: 33482 CUSTOMER: GENERAL MARKET SHEET NUMBER: 11 OF 11
▽ = 0	0 PLACES	±			
■ = 0	DRAFT WHERE APPLICABLE MUST REMAIN WITHIN DIMENSIONS		THIRD ANGLE PROJECTION	DRAWING: A1-SIZE	SERIES: 33482



**MX150 2X3 BLADE SEALED ASSEMBLY MAT SEAL  
BOM AND PIN OUT SHEET**



FOR ADDITIONAL INFORMATION SEE SD-33482-0001  
OR E-33482-0001

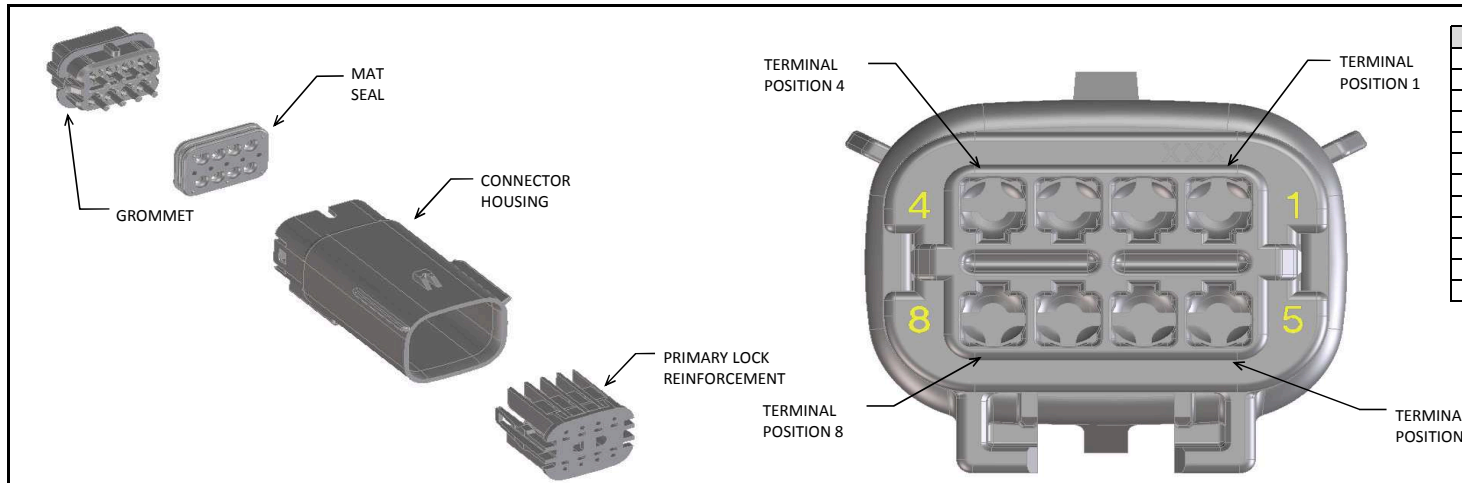
ABBREVIATION	DESCRIPTION	COLOR	MATERIAL
A-BLK	HOUSING, KEYING OPTION A	BLACK	SPS/NYLON GF20
B-LG	HOUSING, KEYING OPTION B	LIGHT GRAY	SPS/NYLON GF20
C-BR	HOUSING, KEYING OPTION C	BROWN	SPS/NYLON GF20
D-GR	HOUSING, KEYING OPTION D	GREEN	SPS/NYLON GF20
C-DG	HOUSING, KEYING OPTION C	DARK GRAY	SPS/NYLON GF20
D-SG	HOUSING, KEYING OPTION D	STONE GRAY	SPS/NYLON GF20
A-YW	HOUSING, KEYING OPTION A	YELLOW	SPS/NYLON GF20
GC	GROMMET CAP (STANDARD)	BLACK	SPS/NYLON GF20
GCL	GROMMET CAP (LENGTHENED)	BLACK	SPS/NYLON GF20
PLR	PLR	NATURAL	SPS/NYLON GF20
M	MAT SEAL	ROYAL BLUE	INHERENTLY LUBRICATED SILICONE

ASSEMBLY DESCRIPTION	ASSEMBLY PART NUMBER	COMPONENT				BLOCKED TERMINALS												STATUS	COMMENTS	OPTIONAL ATTACHMENTS SOLD SEPERATELY		
		THE PRESENCE OF AN ABBREVIATION INDICATES THE PRESENCE OF THAT COMPONENT.				CAVITY WITH A NUMBER INDICATES BLOCKED TERMINAL POSITION CAVITY WITHOUT A NUMBER INDICATES OPEN TERMINAL POSITION														BACKSHELL WITH RIBS	BACKSHELL WITHOUT RIBS	
		HOUSING KEY/COLOR	GROMMET CAP	PLR	MAT SEAL	1	2	3	4	5	6											
KEY A, BLACK	33482-3601	A-BLK	GC	PLR	M														SALEABLE		34950-0610	34950-0620
KEY B, LIGHT GRAY	33482-3602	B-LG	GC	PLR	M														SALEABLE		34950-0610	34950-0620
KEY C, BROWN	33482-3603	C-BR	GC	PLR	M														NOT RECOMMENDED	SEE 33482-3628	34950-0610	34950-0620
KEY D, GREEN	33482-3604	D-GR	GC	PLR	M														NOT RECOMMENDED	SEE 33482-3629	34950-0610	34950-0620
VOID KEY	33482-3605																					
KEY A, BLACK	33482-3606	A-BLK	GC	PLR	M			3											SALEABLE		34950-0610	34950-0620
KEY B, LIGHT GRAY	33482-3607	B-LG	GC	PLR	M			3											SALEABLE		34950-0610	34950-0620
KEY C, BROWN	33482-3608	C-BR	GC	PLR	M			3											NOT RECOMMENDED	SEE 33482-3638	34950-0610	34950-0620
KEY D, GREEN	33482-3609	D-GR	GC	PLR	M			3											NOT RECOMMENDED	SEE 33482-3641	34950-0610	34950-0620
VOID KEY	33482-3610																					
KEY A, BLACK	33482-3611	A-BLK	GC	PLR	M			3	4										SALEABLE		34950-0610	34950-0620
KEY B, LIGHT GRAY	33482-3612	B-LG	GC	PLR	M			3	4										SALEABLE		34950-0610	34950-0620
KEY C, BROWN	33482-3613	C-BR	GC	PLR	M			3	4										NOT RECOMMENDED	SEE 33482-3642	34950-0610	34950-0620
KEY D, GREEN	33482-3614	D-GR	GC	PLR	M			3	4										NOT RECOMMENDED	SEE 33482-3643	34950-0610	34950-0620
VOID KEY	33482-3615																					
KEY A, BLACK	33482-3616	A-BLK	GC	PLR	M			3											SALEABLE		34950-0610	34950-0620
KEY A, BLACK	33482-3617	A-BLK	GC	PLR	M		2												SALEABLE		34950-0610	34950-0620
KEY A, BLACK	33482-3618	A-BLK	GC	PLR	M						5	6							SALEABLE		34950-0610	34950-0620
KEY A, BLACK	33482-3619	A-BLK	GC	PLR	M		2	3	4	5									SALEABLE		34950-0610	34950-0620
KEY A, BLACK	33482-3620	A-BLK	GC	PLR	M	1	2	3	4	5	6								SALEABLE		34950-0610	34950-0620
KEY A, BLACK	33482-3621	A-BLK	GC	PLR	M	1			4	5									SALEABLE		34950-0610	34950-0620
KEY A, BLACK	33482-3622	A-BLK	GC	PLR	M				4	5	6								SALEABLE		34950-0610	34950-0620
KEY A, BLACK	33482-3623	A-BLK	GC	PLR	M					5									SALEABLE		34950-0610	34950-0620
KEY A, BLACK	33482-3624	A-BLK	GC	PLR	M						6								SALEABLE		34950-0610	34950-0620
KEY B, LIGHT GRAY	33482-3625	B-LG	GC	PLR	M	1				5									SALEABLE		34950-0610	34950-0620
KEY A, BLACK	33482-3626	A-BLK	GC	PLR	M	1	2	3	4										SALEABLE		34950-0610	34950-0620
KEY A, BLACK	33482-3627	A-BLK	GC	PLR	M		2	3		5	6								SALEABLE		34950-0610	34950-0620
KEY C, DARK GRAY	33482-3628	C-DG	GC	PLR	M														SALEABLE		34950-0610	34950-0620
KEY D, STONE GRAY	33482-3629	D-SG	GC	PLR	M														SALEABLE		34950-0610	34950-0620
KEY A, BLACK	33482-3630	A-BLK	GC	PLR	M			3			6								SALEABLE		34950-0610	34950-0620
KEY A, BLACK	33482-3631	A-BLK	GCL	PLR	M														SALEABLE		34950-0610	34950-0620
KEY B, LIGHT GRAY	33482-3632	B-LG	GCL	PLR	M														SALEABLE		34950-0610	34950-0620
KEY C, DARK GRAY	33482-3633	C-DG	GCL	PLR	M														SALEABLE		34950-0610	34950-0620
KEY D, STONE GRAY	33482-3634	D-SG	GCL	PLR	M														SALEABLE		34950-0610	34950-0620
KEY C, DARK GRAY	33482-3635	C-DG	GCL	PLR	M			3											SALEABLE		34950-0610	34950-0620
KEY A, BLACK	33482-3636	A-BLK	GCL	PLR	M			3											SALEABLE		34950-0610	34950-0620
KEY A, BLACK	33482-3637	A-BLK	GC	PLR	M		2				6								SALEABLE		34950-0610	34950-0620
KEY C, DARK GRAY	33482-3638	C-DG	GC	PLR	M			3											SALEABLE		34950-0610	34950-0620
KEY A, BLACK	33482-3639	A-BLK	GCL	PLR	M	1	2	3	4	5	6								SALEABLE		34950-0610	34950-0620
KEY A, BLACK	33482-3640	A-BLK	GC	PLR	M				4										SALEABLE		34950-0610	34950-0620
KEY D, STONE GRAY	33482-3641	D-SG	GC	PLR	M			3											SALEABLE		34950-0610	34950-0620
KEY C, DARK GRAY	33482-3642	C-DG	GC	PLR	M			3	4										SALEABLE		34950-0610	34950-0620
KEY D, STONE GRAY	33482-3643	D-SG	GC	PLR	M			3	4										SALEABLE		34950-0610	34950-0620
KEY A, YELLOW	33482-3644	A-YW	GC	PLR	M														SALEABLE		34950-0610	34950-0620
KEY A, BLACK	33482-3645	A-BLK	GC	PLR	M			3	4	5	6								SALEABLE		34950-0610	34950-0620
KEY A, BLACK	33482-3646	A-BLK	GC	PLR	M		2	3											SALEABLE		34950-0610	34950-0620
KEY B, LIGHT GRAY	33482-3647	B-LG	GC	PLR	M		2	3											SALEABLE		34950-0610	34950-0620
KEY C, DARK GRAY	33482-3648	C-DG	GC	PLR	M						6								SALEABLE		34950-0610	34950-0620

MX150 2X3 BLADE SEALED ASSEMBLY MAT SEAL  
BOM AND PIN OUT SHEET

ASSEMBLY DESCRIPTION	ASSEMBLY PART NUMBER	COMPONENT				BLOCKED TERMINALS										STATUS	COMMENTS	OPTIONAL ATTACHMENTS SOLD SEPERATELY				
		THE PRESENCE OF AN ABBREVIATION INDICATES THE PRESENCE OF THAT COMPONENT.				CAVITY WITH A NUMBER INDICATES BLOCKED TERMINAL POSITION CAVITY WITHOUT A NUMBER INDICATES OPEN TERMINAL POSITION												BACKSHELL WITH RIBS	BACKSHELL WITHOUT RIBS			
		HOUSING KEY/COLOR	GROMMET CAP	PLR	MAT SEAL	1	2	3	4	5	6											
KEY A, BLACK	33482-3649	A-BLK	GC	PLR	M				4		6								SALEABLE		34950-0610	34950-0620
KEY A, BLACK	33482-3650	A-BLK	GC	PLR	M	1		3		5									SALEABLE		34950-0610	34950-0620
KEY A, BLACK	33482-3651	A-BLK	GC	PLR	M		2		4		6								SALEABLE		34950-0610	34950-0620
KEY A, BLACK	33482-3652	A-BLK	GC	PLR	M	1					6								SALEABLE		34950-0610	34950-0620
KEY A, BLACK	33482-3653	A-BLK	GC	PLR	M		2			5									SALEABLE		34950-0610	34950-0620
KEY A, BLACK	33482-3654	A-BLK	GC	PLR	M	1		3	4										SALEABLE		34950-0610	34950-0620
KEY A, BLACK	33482-3655	A-BLK	GC	PLR	M	1	2	3		5	6								SALEABLE		34950-0610	34950-0620

**MX150 2X4 BLADE SEALED ASSEMBLY MAT SEAL  
BOM AND PIN OUT SHEET**



ABBREVIATION	DESCRIPTION	COLOR	MATERIAL
A-BLK	HOUSING, KEYING OPTION A	BLACK	SPS/NYLON GF20
B-LG	HOUSING, KEYING OPTION B	LIGHT GRAY	SPS/NYLON GF20
C-BR	HOUSING, KEYING OPTION C	BROWN	SPS/NYLON GF20
D-GR	HOUSING, KEYING OPTION D	GREEN	SPS/NYLON GF20
C-DG	HOUSING, KEYING OPTION C	DARK GRAY	SPS/NYLON GF20
D-SG	HOUSING, KEYING OPTION D	STONE GRAY	SPS/NYLON GF20
A-YW	HOUSING, KEYING OPTION A	YELLOW	SPS/NYLON GF20
GCP	GROMMET CAP (PLUGGED)	BLACK	SPS/NYLON GF20
GCO	GROMMET CAP (OPEN)	BLACK	SPS/NYLON GF20
PLR	PLR	NATURAL	SPS/NYLON GF20
M-R	MAT SEAL	RUST RED	INHERENTLY LUBRICATED SILICONE
M-B	MAT SEAL	ROYAL BLUE	INHERENTLY LUBRICATED SILICONE

FOR ADDITIONAL INFORMATION SEE SD-33482-0001  
OR E-33482-0001

ASSEMBLY DESCRIPTION	ASSEMBLY PART NUMBER	COMPONENT				BLOCKED TERMINALS								STATUS	COMMENTS	OPTIONAL ATTACHMENTS SOLD SEPERATELY							
		THE PRESENCE OF AN ABBREVIATION INDICATES THE PRESENCE OF THAT COMPONENT.				CAVITY WITH A NUMBER INDICATES BLOCKED TERMINAL POSITION CAVITY WITHOUT A NUMBER INDICATES OPEN TERMINAL POSITION										BACKSHELL WITH RIBS	BACKSHELL WITHOUT RIBS	90° ADAPTOR WITH RIBS	90° ADAPTOR WITHOUT RIBS				
		HOUSING KEY/COLOR	GROMMET CAP	PLR	MAT SEAL	1	2	3	4	5	6	7	8										
KEY A, BLACK	33482-0801	A-BLK	GCO	PLR	M-R											PLANNED OBSOLESCENCE	SEE 33482-4801	34950-0811	34950-0821	34951-0831	34951-0841		
KEY B, LIGHT GRAY	33482-0802	B-LG	GCO	PLR	M-R												PLANNED OBSOLESCENCE	SEE 33482-4802	34950-0811	34950-0821	34951-0831	34951-0841	
KEY C, BROWN	33482-0803	C-BR	GCO	PLR	M-R												PLANNED OBSOLESCENCE	SEE 33482-4803	34950-0811	34950-0821	34951-0831	34951-0841	
KEY D, GREEN	33482-0804	D-GR	GCO	PLR	M-R												PLANNED OBSOLESCENCE	SEE 33482-4804	34950-0811	34950-0821	34951-0831	34951-0841	
VOID KEY	33482-0805																						
KEY A, BLACK	33482-0806	A-BLK	GCP	PLR	M-R				4								PLANNED OBSOLESCENCE	SEE 33482-4806	34950-0811	34950-0821	34951-0831	34951-0841	
KEY B, LIGHT GRAY	33482-0807	B-LG	GCP	PLR	M-R				4								PLANNED OBSOLESCENCE	SEE 33482-4807	34950-0811	34950-0821	34951-0831	34951-0841	
KEY C, BROWN	33482-0808	C-BR	GCP	PLR	M-R				4								PLANNED OBSOLESCENCE	SEE 33482-4808	34950-0811	34950-0821	34951-0831	34951-0841	
KEY D, GREEN	33482-0809	D-GR	GCP	PLR	M-R				4								PLANNED OBSOLESCENCE	SEE 33482-4809	34950-0811	34950-0821	34951-0831	34951-0841	
VOID KEY	33482-0810																						
KEY A, BLACK	33482-0811	A-BLK	GCP	PLR	M-R				4	5							PLANNED OBSOLESCENCE	SEE 33482-4811	34950-0811	34950-0821	34951-0831	34951-0841	
KEY B, LIGHT GRAY	33482-0812	B-LG	GCP	PLR	M-R				4	5							PLANNED OBSOLESCENCE	SEE 33482-4812	34950-0811	34950-0821	34951-0831	34951-0841	
KEY C, BROWN	33482-0813	C-BR	GCP	PLR	M-R				4	5							PLANNED OBSOLESCENCE	SEE 33482-4813	34950-0811	34950-0821	34951-0831	34951-0841	
KEY D, GREEN	33482-0814	D-GR	GCP	PLR	M-R				4	5							PLANNED OBSOLESCENCE	SEE 33482-4814	34950-0811	34950-0821	34951-0831	34951-0841	
VOID KEY	33482-0815																						
KEY A, BLACK	33482-0816	A-BLK	GCP	PLR	M-R	1			4	5							PLANNED OBSOLESCENCE	SEE 33482-4816	34950-0811	34950-0821	34951-0831	34951-0841	
KEY B, LIGHT GRAY	33482-0817	B-LG	GCP	PLR	M-R	1			4	5							PLANNED OBSOLESCENCE	SEE 33482-4817	34950-0811	34950-0821	34951-0831	34951-0841	
KEY C, BROWN	33482-0818	C-BR	GCP	PLR	M-R	1			4	5							PLANNED OBSOLESCENCE	SEE 33482-4818	34950-0811	34950-0821	34951-0831	34951-0841	
KEY D, GREEN	33482-0819	D-GR	GCP	PLR	M-R	1			4	5							PLANNED OBSOLESCENCE	SEE 33482-4819	34950-0811	34950-0821	34951-0831	34951-0841	
VOID KEY	33482-0820																						
KEY A, BLACK	33482-0821	A-BLK	GCP	PLR	M-R	1			4	5			8				PLANNED OBSOLESCENCE	SEE 33482-4821	34950-0811	34950-0821	34951-0831	34951-0841	
KEY B, LIGHT GRAY	33482-0822	B-LG	GCP	PLR	M-R	1			4	5			8				PLANNED OBSOLESCENCE	SEE 33482-4822	34950-0811	34950-0821	34951-0831	34951-0841	
KEY C, BROWN	33482-0823	C-BR	GCP	PLR	M-R	1			4	5			8				PLANNED OBSOLESCENCE	SEE 33482-4823	34950-0811	34950-0821	34951-0831	34951-0841	
KEY D, GREEN	33482-0824	D-GR	GCP	PLR	M-R	1			4	5			8				PLANNED OBSOLESCENCE	SEE 33482-4824	34950-0811	34950-0821	34951-0831	34951-0841	
VOID KEY	33482-0825																						
KEY A, BLACK	33482-0826	A-BLK	GCP	PLR	M-R	1	2	3					6	7	8		PLANNED OBSOLESCENCE	SEE 33482-4826	34950-0811	34950-0821	34951-0831	34951-0841	
KEY A, BLACK	33482-0827	A-BLK	GCP	PLR	M-R										8		PLANNED OBSOLESCENCE	SEE 33482-4827	34950-0811	34950-0821	34951-0831	34951-0841	
KEY A, BLACK	33482-0828	A-BLK	GCP	PLR	M-R			3					5				PLANNED OBSOLESCENCE	SEE 33482-4828	34950-0811	34950-0821	34951-0831	34951-0841	
KEY A, BLACK	33482-0829	A-BLK	GCP	PLR	M-R		2	3	4	5	6	7					PLANNED OBSOLESCENCE	SEE 33482-4829	34950-0811	34950-0821	34951-0831	34951-0841	
KEY A, BLACK	33482-0830	A-BLK	GCP	PLR	M-R								6				PLANNED OBSOLESCENCE	SEE 33482-4830	34950-0811	34950-0821	34951-0831	34951-0841	
KEY A, BLACK	33482-0831	A-BLK	GCP	PLR	M-R			3					5	6			PLANNED OBSOLESCENCE	SEE 33482-4831	34950-0811	34950-0821	34951-0831	34951-0841	
KEY A, BLACK	33482-0832	A-BLK	GCP	PLR	M-R								5	6	8		PLANNED OBSOLESCENCE	SEE 33482-4832	34950-0811	34950-0821	34951-0831	34951-0841	
KEY A, BLACK	33482-0833	A-BLK	GCP	PLR	M-R	1		3					5				PLANNED OBSOLESCENCE	SEE 33482-4833	34950-0811	34950-0821	34951-0831	34951-0841	
KEY A, BLACK	33482-0834	A-BLK	GCP	PLR	M-R	1	2	3	4	5	6	7	8				PLANNED OBSOLESCENCE	SEE 33482-4834	34950-0811	34950-0821	34951-0831	34951-0841	
KEY A, BLACK	33482-0835	A-BLK	GCP	PLR	M-R										8		PLANNED OBSOLESCENCE	SEE 33482-4835	34950-0811	34950-0821	34951-0831	34951-0841	
KEY A, BLACK	33482-0836	A-BLK	GCP	PLR	M-R		2	3							8		PLANNED OBSOLESCENCE	SEE 33482-4836	34950-0811	34950-0821	34951-0831	34951-0841	
KEY A, BLACK	33482-0837	A-BLK	GCP	PLR	M-R	1			4								PLANNED OBSOLESCENCE	SEE 33482-4837	34950-0811	34950-0821	34951-0831	34951-0841	
KEY A, BLACK	33482-0838	A-BLK	GCP	PLR	M-R		2	3					5	6	7	8		PLANNED OBSOLESCENCE	SEE 33482-4838	34950-0811	34950-0821	34951-0831	34951-0841
KEY B, LIGHT GRAY	33482-0839	B-LG	GCP	PLR	M-R										8		PLANNED OBSOLESCENCE	SEE 33482-4839	34950-0811	34950-0821	34951-0831	34951-0841	
KEY A, BLACK	33482-0840	A-BLK	GCP	PLR	M-R		2	3					5	6	8		PLANNED OBSOLESCENCE	SEE 33482-4840	34950-0811	34950-0821	34951-0831	34951-0841	
KEY A, BLACK	33482-0841	A-BLK	GCP	PLR	M-R									6	7			PLANNED OBSOLESCENCE	SEE 33482-4841	34950-0811	34950-0821	34951-0831	34951-0841
KEY A, BLACK	33482-0842	A-BLK	GCP	PLR	M-R										7			PLANNED OBSOLESCENCE	SEE 33482-4842	34950-0811	34950-0821	34951-0831	34951-0841
KEY A, BLACK	33482-0843	A-BLK	GCP	PLR	M-R				4						7			PLANNED OBSOLESCENCE	SEE 33482-4843	34950-0811	34950-0821	34951-0831	34951-0841
KEY A, BLACK	33482-0844	A-BLK	GCP	PLR	M-R			3						6				PLANNED OBSOLESCENCE	SEE 33482-4844	34950-0811	34950-0821	34951-0831	34951-0841
KEY A, BLACK	33482-0845	A-BLK	GCP	PLR	M-R		2	3	4	5	6							PLANNED OBSOLESCENCE	SEE 33482-4845	34950-0811	34950-0821	34951-0831	34951-0841
KEY A, BLACK	33482-0846	A-BLK	GCP	PLR	M-R				4	5					7	8		PLANNED OBSOLESCENCE	SEE 33482-4846	34950-0811	34950-0821	34951-0831	34951-0841
KEY B, LIGHT GRAY	33482-0847	B-LG	GCP	PLR	M-R	1	2	3	4	5	6	7	8				PLANNED OBSOLESCENCE	SEE 33482-4847	34950-0811	34950-0821	34951-0831	34951-0841	
KEY A, BLACK	33482-0848	A-BLK	GCP	PLR	M-R								5					PLANNED OBSOLESCENCE	SEE 33482-4848	34950-0811	34950-0821	34951-0831	34951-0841
KEY B, LIGHT GRAY	33482-0849	B-LG	GCP	PLR	M-R	1								6				PLANNED OBSOLESCENCE	SEE 33482-4849	34950-0811	34950-0821	34951-0831	34951-0841
KEY A, YELLOW	33482-0850	A-YW	GCP	PLR	M-R	1			4									PLANNED OBSOLESCENCE	SEE 33482-4850	34950-0811	34950-0821	34951-0831	34951-0841
KEY A, YELLOW	33482-0851	A-YW	GCO	PLR	M-R													PLANNED OBSOLESCENCE	SEE 33482-4851	34950-0811	34950-0821	34951-0831	34951-0841
KEY C, DARK GRAY	33482-0852	C-DG	GCO	PLR	M-R													PLANNED OBSOLESCENCE	SEE 33482-4852	34950-0811	34950-0821	34951-0831	34951-0841
KEY D, STONE GRAY	33482-0853	D-SG	GCO	PLR	M-R													PLANNED OBSOLESCENCE	SEE 33482-4853	34950-0811	34950-0821	34951-0831	34951-0841
KEY A, BLACK	33482-0854	A-BLK	GCP	PLR	M-R	1	2	3	4									PLANNED OBSOLESCENCE	SEE 33482-4854	34950-0811	34950-0821	34951-0831	34951-0841
KEY A, BLACK	33482-0855	A-BLK	GCP	PLR	M-R	1	2						5	6	7	8		PLANNED OBSOLESCENCE	SEE 33482-4855	34950-0811	34950-0821	34951-0831	34951-0841
KEY A, BLACK	33482-0856	A-BLK	GCP	PLR	M-R	1	2											PLANNED OBSOLESCENCE	SEE 33482-4856	34950-0811	34950-0821	34951-0831	34951-0841

MX150 2X4 BLADE SEALED ASSEMBLY MAT SEAL  
BOM AND PIN OUT SHEET

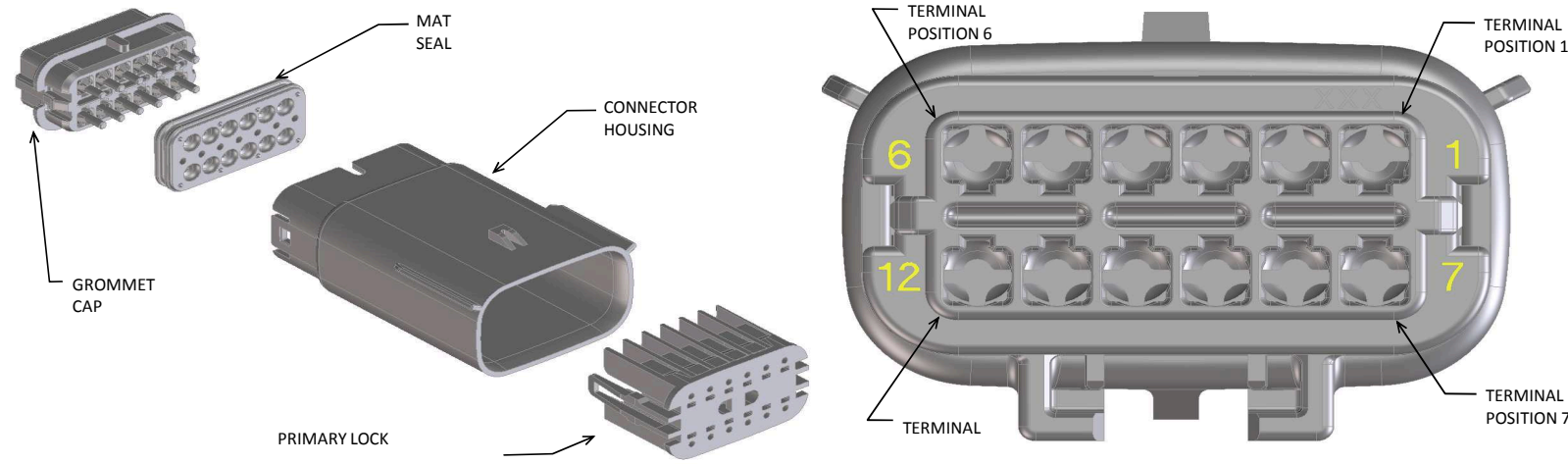
ASSEMBLY DESCRIPTION	ASSEMBLY PART NUMBER	COMPONENT				BLOCKED TERMINALS								STATUS	COMMENTS	OPTIONAL ATTACHMENTS SOLD SEPERATELY				
		THE PRESENCE OF AN ABBREVIATION INDICATES THE PRESENCE OF THAT COMPONENT.				CAVITY WITH A NUMBER INDICATES BLOCKED TERMINAL POSITION CAVITY WITHOUT A NUMBER INDICATES OPEN TERMINAL POSITION										BACKSHELL WITH RIBS	BACKSHELL WITHOUT RIBS	90° ADAPTOR WITH RIBS	90° ADAPTOR WITHOUT RIBS	
		HOUSING KEY/COLOR	GROMMET CAP	PLR	MAT SEAL	1	2	3	4	5	6	7	8							
KEY A, BLACK	33482-0857	A-BLK	GCP	PLR	M-R	1	2	3		5					PLANNED OBSOLESCENCE	SEE 33482-4857	34950-0811	34950-0821	34951-0831	34951-0841
KEY A, BLACK	33482-0858	A-BLK	GCP	PLR	M-R	1	2	3	4	5					PLANNED OBSOLESCENCE	SEE 33482-4858	34950-0811	34950-0821	34951-0831	34951-0841
KEY A, BLACK	33482-0859	A-BLK	GCP	PLR	M-R	1		3		5	6		7		PLANNED OBSOLESCENCE	SEE 33482-4859	34950-0811	34950-0821	34951-0831	34951-0841
KEY A, BLACK	33482-0860	A-BLK	GCP	PLR	M-R	1	2	3	4	5	6				PLANNED OBSOLESCENCE	SEE 33482-4860	34950-0811	34950-0821	34951-0831	34951-0841
KEY A, BLACK	33482-0861	A-BLK	GCP	PLR	M-R	1	2	3		6					PLANNED OBSOLESCENCE	SEE 33482-4861	34950-0811	34950-0821	34951-0831	34951-0841
KEY A, BLACK	33482-0862	A-BLK	GCP	PLR	M-R	1				6					PLANNED OBSOLESCENCE	SEE 33482-4862	34950-0811	34950-0821	34951-0831	34951-0841
KEY A, BLACK	33482-0863	A-BLK	GCP	PLR	M-R	1				6	7	8			PLANNED OBSOLESCENCE	SEE 33482-4863	34950-0811	34950-0821	34951-0831	34951-0841
KEY A, BLACK	33482-0864	A-BLK	GCP	PLR	M-R			3	4	5	6	7	8		PLANNED OBSOLESCENCE	SEE 33482-4864	34950-0811	34950-0821	34951-0831	34951-0841
KEY A, BLACK	33482-0865	A-BLK	GCP	PLR	M-R				4			7	8		PLANNED OBSOLESCENCE	SEE 33482-4865	34950-0811	34950-0821	34951-0831	34951-0841
KEY A, BLACK	33482-0866	A-BLK	GCP	PLR	M-R				4	5	6	7	8		PLANNED OBSOLESCENCE	SEE 33482-4866	34950-0811	34950-0821	34951-0831	34951-0841
KEY A, BLACK	33482-0867	A-BLK	GCP	PLR	M-R		2	3	4		6	7	8		PLANNED OBSOLESCENCE	SEE 33482-4867	34950-0811	34950-0821	34951-0831	34951-0841
KEY A, BLACK	33482-0868	A-BLK	GCP	PLR	M-R				3	4					PLANNED OBSOLESCENCE	SEE 33482-4868	34950-0811	34950-0821	34951-0831	34951-0841
KEY A, BLACK	33482-0869	A-BLK	GCP	PLR	M-R										PLANNED OBSOLESCENCE	SEE 33482-4869	34950-0811	34950-0821	34951-0831	34951-0841
KEY A, BLACK	33482-0870	A-BLK	GCP	PLR	M-R						6	7	8		PLANNED OBSOLESCENCE	SEE 33482-4870	34950-0811	34950-0821	34951-0831	34951-0841
KEY B, LIGHT GRAY	33482-0871	B-LG	GCP	PLR	M-R							7	8		PLANNED OBSOLESCENCE	SEE 33482-4871	34950-0811	34950-0821	34951-0831	34951-0841
KEY A, BLACK	33482-0872	A-BLK	GCP	PLR	M-R	1									PLANNED OBSOLESCENCE	SEE 33482-4872	34950-0811	34950-0821	34951-0831	34951-0841
KEY A, BLACK	33482-0873	A-BLK	GCP	PLR	M-R						6				PLANNED OBSOLESCENCE	SEE 33482-4873	34950-0811	34950-0821	34951-0831	34951-0841
KEY A, BLACK	33482-0874	A-BLK	GCP	PLR	M-R			2							PLANNED OBSOLESCENCE	SEE 33482-4874	34950-0811	34950-0821	34951-0831	34951-0841
KEY A, BLACK	33482-0875	A-BLK	GCP	PLR	M-R						5				PLANNED OBSOLESCENCE	SEE 33482-4875	34950-0811	34950-0821	34951-0831	34951-0841
KEY B, LIGHT GRAY	33482-0876	B-LG	GCP	PLR	M-R	1		3						8	PLANNED OBSOLESCENCE	SEE 33482-4876	34950-0811	34950-0821	34951-0831	34951-0841
KEY B, LIGHT GRAY	33482-0877	B-LG	GCP	PLR	M-R			3						8	PLANNED OBSOLESCENCE	SEE 33482-4877	34950-0811	34950-0821	34951-0831	34951-0841
KEY B, LIGHT GRAY	33482-0878	B-LG	GCP	PLR	M-R	1									PLANNED OBSOLESCENCE	SEE 33482-4878	34950-0811	34950-0821	34951-0831	34951-0841
KEY A, BLACK	33482-0879	A-BLK	GCP	PLR	M-R	1	2	3	4	5			7		PLANNED OBSOLESCENCE	SEE 33482-4879	34950-0811	34950-0821	34951-0831	34951-0841
KEY A, BLACK	33482-0880	A-BLK	GCP	PLR	M-R	1									PLANNED OBSOLESCENCE	SEE 33482-4880	34950-0811	34950-0821	34951-0831	34951-0841
KEY A, BLACK	33482-0881	A-BLK	GCP	PLR	M-R					5				8	PLANNED OBSOLESCENCE	SEE 33482-4881	34950-0811	34950-0821	34951-0831	34951-0841
KEY A, BLACK	33482-0882	A-BLK	GCP	PLR	M-R				4		6				PLANNED OBSOLESCENCE	SEE 33482-4882	34950-0811	34950-0821	34951-0831	34951-0841
KEY A, BLACK	33482-0883	A-BLK	GCP	PLR	M-R	1							7		PLANNED OBSOLESCENCE	SEE 33482-4883	34950-0811	34950-0821	34951-0831	34951-0841
KEY A, BLACK	33482-0884	A-BLK	GCP	PLR	M-R	1	2	3	4				7		PLANNED OBSOLESCENCE	SEE 33482-4884	34950-0811	34950-0821	34951-0831	34951-0841
KEY A, BLACK	33482-0885	A-BLK	GCP	PLR	M-R	1	2			5	6			8	PLANNED OBSOLESCENCE	SEE 33482-4885	34950-0811	34950-0821	34951-0831	34951-0841
KEY A, BLACK	33482-0886	A-BLK	GCP	PLR	M-R		2	3						8	PLANNED OBSOLESCENCE	SEE 33482-4886	34950-0811	34950-0821	34951-0831	34951-0841
KEY A, BLACK	33482-0887	A-BLK	GCP	PLR	M-R	1		3	4			7	8		PLANNED OBSOLESCENCE	SEE 33482-4887	34950-0811	34950-0821	34951-0831	34951-0841
KEY A, BLACK	33482-0888	A-BLK	GCP	PLR	M-R				4	5	6				PLANNED OBSOLESCENCE	SEE 33482-4888	34950-0811	34950-0821	34951-0831	34951-0841
KEY A, BLACK	33482-0889	A-BLK	GCP	PLR	M-R	1	2		4	5	6			8	PLANNED OBSOLESCENCE	SEE 33482-4889	34950-0811	34950-0821	34951-0831	34951-0841
KEY A, BLACK	33482-0892	A-BLK	GCP	PLR	M-R		2	3		5				8	PLANNED OBSOLESCENCE	SEE 33482-4892	34950-0811	34950-0821	34951-0831	34951-0841
KEY A, BLACK	33482-4801	A-BLK	GCO	PLR	M-B										SALEABLE		34950-0811	34950-0821	34951-0831	34951-0841
KEY B, LIGHT GRAY	33482-4802	B-LG	GCO	PLR	M-B										SALEABLE		34950-0811	34950-0821	34951-0831	34951-0841
KEY C, BROWN	33482-4803	C-BR	GCO	PLR	M-B										NOT RECOMMENDED	SEE 33482-4852	34950-0811	34950-0821	34951-0831	34951-0841
KEY D, GREEN	33482-4804	D-GR	GCO	PLR	M-B										NOT RECOMMENDED	SEE 33482-4853	34950-0811	34950-0821	34951-0831	34951-0841
VOID KEY	33482-4805																			
KEY A, BLACK	33482-4806	A-BLK	GCP	PLR	M-B				4						SALEABLE		34950-0811	34950-0821	34951-0831	34951-0841
KEY B, LIGHT GRAY	33482-4807	B-LG	GCP	PLR	M-B				4						SALEABLE		34950-0811	34950-0821	34951-0831	34951-0841
KEY C, BROWN	33482-4808	C-BR	GCP	PLR	M-B				4						NOT RECOMMENDED		34950-0811	34950-0821	34951-0831	34951-0841
KEY D, GREEN	33482-4809	D-GR	GCP	PLR	M-B				4						NOT RECOMMENDED		34950-0811	34950-0821	34951-0831	34951-0841
VOID KEY	33482-4810																			
KEY A, BLACK	33482-4811	A-BLK	GCP	PLR	M-B				4	5					SALEABLE		34950-0811	34950-0821	34951-0831	34951-0841
KEY B, LIGHT GRAY	33482-4812	B-LG	GCP	PLR	M-B				4	5					SALEABLE		34950-0811	34950-0821	34951-0831	34951-0841
KEY C, BROWN	33482-4813	C-BR	GCP	PLR	M-B				4	5					NOT RECOMMENDED		34950-0811	34950-0821	34951-0831	34951-0841
KEY D, GREEN	33482-4814	D-GR	GCP	PLR	M-B				4	5					NOT RECOMMENDED		34950-0811	34950-0821	34951-0831	34951-0841
VOID KEY	33482-4815																			
KEY A, BLACK	33482-4816	A-BLK	GCP	PLR	M-B	1			4	5					SALEABLE		34950-0811	34950-0821	34951-0831	34951-0841
KEY B, LIGHT GRAY	33482-4817	B-LG	GCP	PLR	M-B	1			4	5					SALEABLE		34950-0811	34950-0821	34951-0831	34951-0841
KEY C, BROWN	33482-4818	C-BR	GCP	PLR	M-B	1			4	5					NOT RECOMMENDED		34950-0811	34950-0821	34951-0831	34951-0841
KEY D, GREEN	33482-4819	D-GR	GCP	PLR	M-B	1			4	5					NOT RECOMMENDED		34950-0811	34950-0821	34951-0831	34951-0841
VOID KEY	33482-4820																			
KEY A, BLACK	33482-4821	A-BLK	GCP	PLR	M-B	1			4	5				8	SALEABLE		34950-0811	34950-0821	34951-0831	34951-0841
KEY B, LIGHT GRAY	33482-4822	B-LG	GCP	PLR	M-B	1			4	5				8	SALEABLE		34950-0811	34950-0821	34951-0831	34951-0841
KEY C, BROWN	33482-4823	C-BR	GCP	PLR	M-B	1			4	5				8	NOT RECOMMENDED		34950-0811	34950-0821	34951-0831	34951-0841
KEY D, GREEN	33482-4824	D-GR	GCP	PLR	M-B	1			4	5				8	NOT RECOMMENDED		34950-0811	34950-0821	34951-0831	34951-0841
VOID KEY	33482-4825																			
KEY A, BLACK	33482-4826	A-BLK	GCP	PLR	M-B	1	2	3			6	7	8		SALEABLE		34950-0811	34950-0821	34951-0831	34951-0841
KEY A, BLACK	33482-4827	A-BLK	GCP	PLR	M-B									8	SALEABLE		34950-0811	34950-0821	34951-0831	34951-0841
KEY A, BLACK	33482-4828	A-BLK	GCP	PLR	M-B				3		5				SALEABLE		34950-0811	34950-0821	34951-0831	34951-0841
KEY A, BLACK	33482-4829	A-BLK	GCP	PLR	M-B		2	3	4	5	6	7			SALEABLE		34950-0811	34950-0821	34951-0831	34951-0841
KEY A, BLACK	33482-4830	A-BLK	GCP	PLR	M-B						6				SALEABLE		34950-0811	34950-0821	34951-0831	34951-0841
KEY A, BLACK	33482-4831	A-BLK	GCP	PLR	M-B				3		5	6			SALEABLE		34950-0811	34950-0821	34951-0831	34951-0841
KEY A, BLACK	33482-4832	A-BLK	GCP	PLR	M-B					5	6			8	SALEABLE		34950-0811	34950-0821	34951-0831	34951-0841
KEY A, BLACK	33482-4833	A-BLK	GCP	PLR	M-B	1			3		5				SALEABLE		34950-0811	34950-0821	34951-0831	34951-0841
KEY A, BLACK	33482-4834	A-BLK	GCP	PLR	M-B	1	2	3	4	5	6	7	8		SALEABLE		34950-0811	34950-0821	34951-0831	34951-0841
KEY A, BLACK	33482-4835	A-BLK	GCP	PLR	M-B							7	8		SALEABLE		3			



**MX150 2X4 BLADE SEALED ASSEMBLY MAT SEAL  
BOM AND PIN OUT SHEET**

ASSEMBLY DESCRIPTION	ASSEMBLY PART NUMBER	COMPONENT				BLOCKED TERMINALS								STATUS	COMMENTS	OPTIONAL ATTACHMENTS SOLD SEPERATELY				
		THE PRESENCE OF AN ABBREVIATION INDICATES THE PRESENCE OF THAT COMPONENT.				CAVITY WITH A NUMBER INDICATES BLOCKED TERMINAL POSITION CAVITY WITHOUT A NUMBER INDICATES OPEN TERMINAL POSITION										BACKSHELL WITH RIBS	BACKSHELL WITHOUT RIBS	90° ADAPTOR WITH RIBS	90° ADAPTOR WITHOUT RIBS	
		HOUSING KEY/COLOR	GROMMET CAP	PLR	MAT SEAL	1	2	3	4	5	6	7	8							
KEY A, YELLOW	33482-4851	A-YW	GCO	PLR	M-B										SALEABLE		34950-0811	34950-0821	34951-0831	34951-0841
KEY C, DARK GRAY	33482-4852	C-DG	GCO	PLR	M-B										SALEABLE		34950-0811	34950-0821	34951-0831	34951-0841
KEY D, STONE GRAY	33482-4853	D-SG	GCO	PLR	M-B										SALEABLE		34950-0811	34950-0821	34951-0831	34951-0841
KEY A, BLACK	33482-4854	A-BLK	GCP	PLR	M-B	1	2	3	4						SALEABLE		34950-0811	34950-0821	34951-0831	34951-0841
KEY A, BLACK	33482-4855	A-BLK	GCP	PLR	M-B	1	2			5	6	7	8		SALEABLE		34950-0811	34950-0821	34951-0831	34951-0841
KEY A, BLACK	33482-4856	A-BLK	GCP	PLR	M-B	1	2								SALEABLE		34950-0811	34950-0821	34951-0831	34951-0841
KEY A, BLACK	33482-4857	A-BLK	GCP	PLR	M-B	1	2	3		5					SALEABLE		34950-0811	34950-0821	34951-0831	34951-0841
KEY A, BLACK	33482-4858	A-BLK	GCP	PLR	M-B	1	2	3	4	5			8		SALEABLE		34950-0811	34950-0821	34951-0831	34951-0841
KEY A, BLACK	33482-4859	A-BLK	GCP	PLR	M-B	1		3		5	6	7			SALEABLE		34950-0811	34950-0821	34951-0831	34951-0841
KEY A, BLACK	33482-4860	A-BLK	GCP	PLR	M-B	1	2	3	4	5	6				SALEABLE		34950-0811	34950-0821	34951-0831	34951-0841
KEY A, BLACK	33482-4861	A-BLK	GCP	PLR	M-B	1	2	3		6					SALEABLE		34950-0811	34950-0821	34951-0831	34951-0841
KEY A, BLACK	33482-4862	A-BLK	GCP	PLR	M-B	1				6					SALEABLE		34950-0811	34950-0821	34951-0831	34951-0841
KEY A, BLACK	33482-4863	A-BLK	GCP	PLR	M-B	1				6	7	8			SALEABLE		34950-0811	34950-0821	34951-0831	34951-0841
KEY A, BLACK	33482-4864	A-BLK	GCP	PLR	M-B			3	4	5	6	7	8		SALEABLE		34950-0811	34950-0821	34951-0831	34951-0841
KEY A, BLACK	33482-4865	A-BLK	GCP	PLR	M-B				4			7	8		SALEABLE		34950-0811	34950-0821	34951-0831	34951-0841
KEY A, BLACK	33482-4866	A-BLK	GCP	PLR	M-B				4	5	6	7	8		SALEABLE		34950-0811	34950-0821	34951-0831	34951-0841
KEY A, BLACK	33482-4867	A-BLK	GCP	PLR	M-B		2	3	4		6	7	8		SALEABLE		34950-0811	34950-0821	34951-0831	34951-0841
KEY A, BLACK	33482-4868	A-BLK	GCP	PLR	M-B					5	6	7			SALEABLE		34950-0811	34950-0821	34951-0831	34951-0841
KEY A, BLACK	33482-4869	A-BLK	GCP	PLR	M-B			3	4						SALEABLE		34950-0811	34950-0821	34951-0831	34951-0841
KEY A, BLACK	33482-4870	A-BLK	GCP	PLR	M-B					6	7	8			SALEABLE		34950-0811	34950-0821	34951-0831	34951-0841
KEY B, LIGHT GRAY	33482-4871	B-LG	GCP	PLR	M-B							7	8		SALEABLE		34950-0811	34950-0821	34951-0831	34951-0841
KEY A, BLACK	33482-4872	A-BLK	GCP	PLR	M-B	1							8		SALEABLE		34950-0811	34950-0821	34951-0831	34951-0841
KEY A, BLACK	33482-4873	A-BLK	GCP	PLR	M-B						6		8		SALEABLE		34950-0811	34950-0821	34951-0831	34951-0841
KEY A, BLACK	33482-4874	A-BLK	GCP	PLR	M-B		2			5					SALEABLE		34950-0811	34950-0821	34951-0831	34951-0841
KEY A, BLACK	33482-4875	A-BLK	GCP	PLR	M-B					5					SALEABLE		34950-0811	34950-0821	34951-0831	34951-0841
KEY B, LIGHT GRAY	33482-4876	B-LG	GCP	PLR	M-B	1			3				8		SALEABLE		34950-0811	34950-0821	34951-0831	34951-0841
KEY B, LIGHT GRAY	33482-4877	B-LG	GCP	PLR	M-B			3						8	SALEABLE		34950-0811	34950-0821	34951-0831	34951-0841
KEY B, LIGHT GRAY	33482-4878	B-LG	GCP	PLR	M-B	1									SALEABLE		34950-0811	34950-0821	34951-0831	34951-0841
KEY A, BLACK	33482-4879	A-BLK	GCP	PLR	M-B	1	2	3	4	5		7			SALEABLE		34950-0811	34950-0821	34951-0831	34951-0841
KEY A, BLACK	33482-4880	A-BLK	GCP	PLR	M-B	1									SALEABLE		34950-0811	34950-0821	34951-0831	34951-0841
KEY A, BLACK	33482-4881	A-BLK	GCP	PLR	M-B					5			8		SALEABLE		34950-0811	34950-0821	34951-0831	34951-0841
KEY A, BLACK	33482-4882	A-BLK	GCP	PLR	M-B				4		6				SALEABLE		34950-0811	34950-0821	34951-0831	34951-0841
KEY A, BLACK	33482-4883	A-BLK	GCP	PLR	M-B	1						7			SALEABLE		34950-0811	34950-0821	34951-0831	34951-0841
KEY A, BLACK	33482-4884	A-BLK	GCP	PLR	M-B	1	2	3	4						SALEABLE		34950-0811	34950-0821	34951-0831	34951-0841
KEY A, BLACK	33482-4885	A-BLK	GCP	PLR	M-B	1	2			5	6		8		SALEABLE		34950-0811	34950-0821	34951-0831	34951-0841
KEY A, BLACK	33482-4886	A-BLK	GCP	PLR	M-B		2	3					8		SALEABLE		34950-0811	34950-0821	34951-0831	34951-0841
KEY A, BLACK	33482-4887	A-BLK	GCP	PLR	M-B	1		3	4			7	8		SALEABLE		34950-0811	34950-0821	34951-0831	34951-0841
KEY A, BLACK	33482-4888	A-BLK	GCP	PLR	M-B				4	5	6				SALEABLE		34950-0811	34950-0821	34951-0831	34951-0841
KEY A, BLACK	33482-4889	A-BLK	GCP	PLR	M-B	1	2		4	5	6		8		SALEABLE		34950-0811	34950-0821	34951-0831	34951-0841
KEY A, BLACK	33482-4890	A-BLK	GCP	PLR	M-B				4				8		SALEABLE		34950-0811	34950-0821	34951-0831	34951-0841
KEY A, BLACK	33482-4891	A-BLK	GCP	PLR	M-B				4	5			8		SALEABLE		34950-0811	34950-0821	34951-0831	34951-0841
KEY A, BLACK	33482-4892	A-BLK	GCP	PLR	M-B		2	3		5			8		SALEABLE		34950-0811	34950-0821	34951-0831	34951-0841
SUB ASSEMBLY DESCRIPTION	SUB ASSEMBLY PART NUMBER	COMPONENT				BLOCKED TERMINALS								STATUS	COMMENTS	OPTIONAL ATTACHMENTS SOLD SEPERATELY				
		THE PRESENCE OF AN ABBREVIATION INDICATES THE PRESENCE OF THAT COMPONENT.				CAVITY WITH A NUMBER INDICATES BLOCKED TERMINAL POSITION CAVITY WITHOUT A NUMBER INDICATES OPEN TERMINAL POSITION										BACKSHELL WITH RIBS	BACKSHELL WITHOUT RIBS	90° ADAPTOR WITH RIBS	90° ADAPTOR WITHOUT RIBS	
		HOUSING KEY/COLOR	GROMMET CAP	PLR	MAT SEAL	1	2	3	4	5	6	7	8							
KEY A, BLACK	34955-0801	A-BLK	GCO		M-R										PLANNED OBSOLESCENCE	SEE 34955-4801				
KEY A, BLACK	34955-4801	A-BLK	GCO		M-B										SALEABLE					

MX150 2X6 BLADE SEALED ASSY MAT SEAL  
BOM AND PIN OUT SHEET



ABBREVIATION	DESCRIPTION	COLOR	MATERIAL
A-BLK	HOUSING, KEYING OPTION A	BLACK	SPS/NYLON GF20
B-LG	HOUSING, KEYING OPTION B	LIGHT GRAY	SPS/NYLON GF20
C-BR	HOUSING, KEYING OPTION C	BROWN	SPS/NYLON GF20
D-GR	HOUSING, KEYING OPTION D	GREEN	SPS/NYLON GF20
A-YL	HOUSING, KEYING OPTION A	YELLOW	SPS/NYLON GF20
C-DG	HOUSING, KEYING OPTION C	DARK GRAY	SPS/NYLON GF20
D-SG	HOUSING, KEYING OPTION D	STONE GRAY	SPS/NYLON GF20
GCP	GROMMET CAP (PLUGGED)	BLACK	SPS/NYLON GF20
PLR	PLR	NATURAL	SPS/NYLON GF20
M-R	MAT SEAL	RUST RED	INHERENTLY LUBRICATED SILICONE
M-B	MAT SEAL	ROYAL BLUE	INHERENTLY LUBRICATED SILICONE

FOR ADDITIONAL INFORMATION SEE SD-33482-0001  
OR E-33482-0001

ASSEMBLY DESCRIPTION	ASSEMBLY PART NUMBER	COMPONENT				BLOCKED TERMINALS												STATUS	COMMENTS	OPTIONAL ATTACHMENTS SOLD SEPERATELY		
		THE PRESENCE OF AN ABBREVIATION INDICATES THE PRESENCE OF THAT COMPONENT.				CAVITY WITH A NUMBER INDICATES BLOCKED TERMINAL POSITION CAVITY WITHOUT A NUMBER INDICATES OPEN TERMINAL POSITION														BACKSHELL WITH RIBS	BACKSHELL WITHOUT RIBS	
		HOUSING KEY/COLOR	GROMMET CAP	PLR	MAT SEAL	1	2	3	4	5	6	7	8	9	10	11	12					
KEY A, BLACK	33482-1201	A-BLK	GCP	PLR	M-R														PLANNED OBSOLESCENCE	SEE 33482-6201	34950-1210	34950-1220
KEY B, LIGHT GRAY	33482-1202	B-LG	GCP	PLR	M-R														PLANNED OBSOLESCENCE	SEE 33482-6202	34950-1210	34950-1220
KEY C, BROWN	33482-1203	C-BR	GCP	PLR	M-R														PLANNED OBSOLESCENCE	SEE 33482-6203	34950-1210	34950-1220
KEY D, GREEN	33482-1204	D-GR	GCP	PLR	M-R														PLANNED OBSOLESCENCE	SEE 33482-6204	34950-1210	34950-1220
VOID KEY	33482-1205																					
KEY A, BLACK	33482-1206	A-BLK	GCP	PLR	M-R						6								PLANNED OBSOLESCENCE	SEE 33482-6206	34950-1210	34950-1220
KEY B, LIGHT GRAY	33482-1207	B-LG	GCP	PLR	M-R						6								PLANNED OBSOLESCENCE	SEE 33482-6207	34950-1210	34950-1220
KEY C, BROWN	33482-1208	C-BR	GCP	PLR	M-R						6								PLANNED OBSOLESCENCE	SEE 33482-6208	34950-1210	34950-1220
KEY D, GREEN	33482-1209	D-GR	GCP	PLR	M-R						6								PLANNED OBSOLESCENCE	SEE 33482-6209	34950-1210	34950-1220
VOID KEY	33482-1210																					
KEY A, BLACK	33482-1211	A-BLK	GCP	PLR	M-R						6	7							PLANNED OBSOLESCENCE	SEE 33482-6211	34950-1210	34950-1220
KEY B, LIGHT GRAY	33482-1212	B-LG	GCP	PLR	M-R						6	7							PLANNED OBSOLESCENCE	SEE 33482-6212	34950-1210	34950-1220
KEY C, BROWN	33482-1213	C-BR	GCP	PLR	M-R						6	7							PLANNED OBSOLESCENCE	SEE 33482-6213	34950-1210	34950-1220
KEY D, GREEN	33482-1214	D-GR	GCP	PLR	M-R						6	7							PLANNED OBSOLESCENCE	SEE 33482-6214	34950-1210	34950-1220
VOID KEY	33482-1215																					
KEY A, BLACK	33482-1216	A-BLK	GCP	PLR	M-R	1					6	7							PLANNED OBSOLESCENCE	SEE 33482-6216	34950-1210	34950-1220
KEY B, LIGHT GRAY	33482-1217	B-LG	GCP	PLR	M-R	1					6	7							PLANNED OBSOLESCENCE	SEE 33482-6217	34950-1210	34950-1220
KEY C, BROWN	33482-1218	C-BR	GCP	PLR	M-R	1					6	7							PLANNED OBSOLESCENCE	SEE 33482-6218	34950-1210	34950-1220
KEY D, GREEN	33482-1219	D-GR	GCP	PLR	M-R	1					6	7							PLANNED OBSOLESCENCE	SEE 33482-6219	34950-1210	34950-1220
VOID KEY	33482-1220																					
KEY A, BLACK	33482-1221	A-BLK	GCP	PLR	M-R	1					6	7					12		PLANNED OBSOLESCENCE	SEE 33482-6221	34950-1210	34950-1220
KEY B, LIGHT GRAY	33482-1222	B-LG	GCP	PLR	M-R	1					6	7					12		PLANNED OBSOLESCENCE	SEE 33482-6222	34950-1210	34950-1220
KEY C, BROWN	33482-1223	C-BR	GCP	PLR	M-R	1					6	7					12		PLANNED OBSOLESCENCE	SEE 33482-6223	34950-1210	34950-1220
KEY D, GREEN	33482-1224	D-GR	GCP	PLR	M-R	1					6	7					12		PLANNED OBSOLESCENCE	SEE 33482-6224	34950-1210	34950-1220
VOID KEY	33482-1225																					
KEY A, BLACK	33482-1226	A-BLK	GCP	PLR	M-R	1					6						12		PLANNED OBSOLESCENCE	SEE 33482-6226	34950-1210	34950-1220
KEY A, BLACK	33482-1227	A-BLK	GCP	PLR	M-R	1					6						12		PLANNED OBSOLESCENCE	SEE 33482-6227	34950-1210	34950-1220
KEY B, LIGHT GRAY	33482-1228	B-LG	GCP	PLR	M-R	1	2	3	4	5	6	7	8	9	10	11	12		PLANNED OBSOLESCENCE	SEE 33482-6228	34950-1210	34950-1220
KEY C, BROWN	33482-1229	C-BR	GCP	PLR	M-R	1	2	3	4	5	6	7	8	9	10	11	12		PLANNED OBSOLESCENCE	SEE 33482-6229	34950-1210	34950-1220
KEY D, GREEN	33482-1230	D-GR	GCP	PLR	M-R	1	2	3	4	5	6	7	8	9	10	11	12		PLANNED OBSOLESCENCE	SEE 33482-6230	34950-1210	34950-1220
VOID KEY	33482-1231																					
KEY A, BLACK	33482-1232	A-BLK	GCP	PLR	M-R		2	3					8				11		PLANNED OBSOLESCENCE	SEE 33482-6232	34950-1210	34950-1220
KEY A, BLACK	33482-1233	A-BLK	GCP	PLR	M-R		2	3			5	6	7	8			11		PLANNED OBSOLESCENCE	SEE 33482-6233	34950-1210	34950-1220
KEY A, BLACK	33482-1234	A-BLK	GCP	PLR	M-R						6	7							PLANNED OBSOLESCENCE	SEE 33482-6234	34950-1210	34950-1220
KEY A, BLACK	33482-1235	A-BLK	GCP	PLR	M-R		2	3			6	7	8		10	11			PLANNED OBSOLESCENCE	SEE 33482-6235	34950-1210	34950-1220
KEY B, LIGHT GRAY	33482-1236	B-LG	GCP	PLR	M-R	1					5	6	7	8	9	10			PLANNED OBSOLESCENCE	SEE 33482-6236	34950-1210	34950-1220
KEY A, BLACK	33482-1237	A-BLK	GCP	PLR	M-R		2												PLANNED OBSOLESCENCE	SEE 33482-6237	34950-1210	34950-1220
KEY B, LIGHT GRAY	33482-1238	B-LG	GCP	PLR	M-R		2							9	10				PLANNED OBSOLESCENCE	SEE 33482-6238	34950-1210	34950-1220
KEY A, BLACK	33482-1239	A-BLK	GCP	PLR	M-R	1					5	6	7	8					PLANNED OBSOLESCENCE	SEE 33482-6239	34950-1210	34950-1220
KEY A, BLACK	33482-1240	A-BLK	GCP	PLR	M-R		2	3					8	9	10	11			PLANNED OBSOLESCENCE	SEE 33482-6240	34950-1210	34950-1220
KEY A, BLACK	33482-1241	A-BLK	GCP	PLR	M-R								7	8	9	10	11		PLANNED OBSOLESCENCE	SEE 33482-6241	34950-1210	34950-1220
KEY A, BLACK	33482-1242	A-BLK	GCP	PLR	M-R								7	8					PLANNED OBSOLESCENCE	SEE 33482-6242	34950-1210	34950-1220
KEY A, BLACK	33482-1243	A-BLK	GCP	PLR	M-R		2							9	10				PLANNED OBSOLESCENCE	SEE 33482-6243	34950-1210	34950-1220
KEY A, BLACK	33482-1244	A-BLK	GCP	PLR	M-R		2		4										PLANNED OBSOLESCENCE	SEE 33482-6244	34950-1210	34950-1220
KEY A, BLACK	33482-1245	A-BLK	GCP	PLR	M-R									9	10	11	12		PLANNED OBSOLESCENCE	SEE 33482-6245	34950-1210	34950-1220
KEY A, BLACK	33482-1246	A-BLK	GCP	PLR	M-R											11			PLANNED OBSOLESCENCE	SEE 33482-6246	34950-1210	34950-1220
KEY A, BLACK	33482-1247	A-BLK	GCP	PLR	M-R		2	3	4			7	8						PLANNED OBSOLESCENCE	SEE 33482-6247	34950-1210	34950-1220
KEY A, BLACK	33482-1248	A-BLK	GCP	PLR	M-R	1		3	4	5	6	7	8						PLANNED OBSOLESCENCE	SEE 33482-6248	34950-1210	34950-1220
KEY A, BLACK	33482-1249	A-BLK	GCP	PLR	M-R										10	11	12		PLANNED OBSOLESCENCE	SEE 33482-6249	34950-1210	34950-1220
KEY A, BLACK	33482-1250	A-BLK	GCP	PLR	M-R				4	5	6	7	8	9					PLANNED OBSOLESCENCE	SEE 33482-6250	34950-1210	34950-1220
KEY A, BLACK	33482-1251	A-BLK	GCP	PLR	M-R		2		4	5					10	11			PLANNED OBSOLESCENCE	SEE 33482-6251	34950-1210	34950-1220
KEY A, BLACK	33482-1252	A-BLK	GCP	PLR	M-R							7							PLANNED OBSOLESCENCE	SEE 33482-6252	34950-1210	34950-1220

MX150 2X6 BLADE SEALED ASSY MAT SEAL  
BOM AND PIN OUT SHEET

ASSEMBLY DESCRIPTION	ASSEMBLY PART NUMBER	COMPONENT				BLOCKED TERMINALS												STATUS	COMMENTS	OPTIONAL ATTACHMENTS SOLD SEPERATELY		
		THE PRESENCE OF AN ABBREVIATION INDICATES THE PRESENCE OF THAT COMPONENT.				CAVITY WITH A NUMBER INDICATES BLOCKED TERMINAL POSITION CAVITY WITHOUT A NUMBER INDICATES OPEN TERMINAL POSITION														BACKSHELL WITH RIBS	BACKSHELL WITHOUT RIBS	
		HOUSING KEY/COLOR	GROMMET CAP	PLR	MAT SEAL	1	2	3	4	5	6	7	8	9	10	11	12					
KEY A, BLACK	33482-1253	A-BLK	GCP	PLR	M-R		2	3	4	5	6	7	8		10	11	12	PLANNED OBSOLESCENCE	SEE 33482-6253	34950-1210	34950-1220	
KEY A, BLACK	33482-1254	A-BLK	GCP	PLR	M-R		2	3	4	5					10	11	12	PLANNED OBSOLESCENCE	SEE 33482-6254	34950-1210	34950-1220	
KEY A, BLACK	33482-1255	A-BLK	GCP	PLR	M-R		2	3	4	5	6	7			10	11	12	PLANNED OBSOLESCENCE	SEE 33482-6255	34950-1210	34950-1220	
KEY A, BLACK	33482-1256	A-BLK	GCP	PLR	M-R	1					6	7		9				PLANNED OBSOLESCENCE	SEE 33482-6256	34950-1210	34950-1220	
KEY A, BLACK	33482-1257	A-BLK	GCP	PLR	M-R									9	10		12	PLANNED OBSOLESCENCE	SEE 33482-6257	34950-1210	34950-1220	
KEY A, BLACK	33482-1258	A-BLK	GCP	PLR	M-R		2	3								11		PLANNED OBSOLESCENCE	SEE 33482-6258	34950-1210	34950-1220	
KEY A, BLACK	33482-1259	A-BLK	GCP	PLR	M-R	1	2	3	4	5				9	10	11	12	PLANNED OBSOLESCENCE	SEE 33482-6259	34950-1210	34950-1220	
KEY A, BLACK	33482-1260	A-BLK	GCP	PLR	M-R											11	12	PLANNED OBSOLESCENCE	SEE 33482-6260	34950-1210	34950-1220	
KEY C, DARK GRAY	33482-1261	C-DG	GCP	PLR	M-R													PLANNED OBSOLESCENCE	SEE 33482-6261	34950-1210	34950-1220	
KEY D, STONE GRAY	33482-1262	D-SG	GCP	PLR	M-R													PLANNED OBSOLESCENCE	SEE 33482-6262	34950-1210	34950-1220	
KEY C, DARK GRAY	33482-1263	C-DG	GCP	PLR	M-R	1	2	3	4	5	6	7	8	9	10	11	12	PLANNED OBSOLESCENCE	SEE 33482-6263	34950-1210	34950-1220	
KEY D, STONE GRAY	33482-1264	D-SG	GCP	PLR	M-R	1	2	3	4	5	6	7	8	9	10	11	12	PLANNED OBSOLESCENCE	SEE 33482-6264	34950-1210	34950-1220	
KEY A, BLACK	33482-1265	A-BLK	GCP	PLR	M-R						6	7	8	9	10	11		PLANNED OBSOLESCENCE	SEE 33482-6265	34950-1210	34950-1220	
KEY A, BLACK	33482-1266	A-BLK	GCP	PLR	M-R	1	2	3	4	5	6	7					12	PLANNED OBSOLESCENCE	SEE 33482-6266	34950-1210	34950-1220	
KEY A, BLACK	33482-1267	A-BLK	GCP	PLR	M-R			3	4	5	6	7						PLANNED OBSOLESCENCE	SEE 33482-6267	34950-1210	34950-1220	
KEY A, BLACK	33482-1268	A-BLK	GCP	PLR	M-R			3	4	5	6	7	8	9	10	11		PLANNED OBSOLESCENCE	SEE 33482-6268	34950-1210	34950-1220	
KEY A, BLACK	33482-1269	A-BLK	GCP	PLR	M-R	1	2	3	4	5							12	PLANNED OBSOLESCENCE	SEE 33482-6269	34950-1210	34950-1220	
KEY A, BLACK	33482-1270	A-BLK	GCP	PLR	M-R		2		4				7	8	9	10		PLANNED OBSOLESCENCE	SEE 33482-6270	34950-1210	34950-1220	
KEY A, BLACK	33482-1271	A-BLK	GCP	PLR	M-R		2						7	8	9			PLANNED OBSOLESCENCE	SEE 33482-6271	34950-1210	34950-1220	
KEY A, BLACK	33482-1272	A-BLK	GCP	PLR	M-R		2						7	8	9			PLANNED OBSOLESCENCE	SEE 33482-6272	34950-1210	34950-1220	
KEY A, BLACK	33482-1273	A-BLK	GCP	PLR	M-R								8					PLANNED OBSOLESCENCE	SEE 33482-6273	34950-1210	34950-1220	
KEY A, BLACK	33482-1274	A-BLK	GCP	PLR	M-R	1		3	4	5	6				10	11	12	PLANNED OBSOLESCENCE	SEE 33482-6274	34950-1210	34950-1220	
KEY A, BLACK	33482-1275	A-BLK	GCP	PLR	M-R				4				8		10			PLANNED OBSOLESCENCE	SEE 33482-6275	34950-1210	34950-1220	
KEY A, BLACK	33482-1276	A-BLK	GCP	PLR	M-R	1	2	3	4		6			8	10	11	12	PLANNED OBSOLESCENCE	SEE 33482-6276	34950-1210	34950-1220	
KEY A, BLACK	33482-1277	A-BLK	GCP	PLR	M-R	1	2	3								11	12	PLANNED OBSOLESCENCE	SEE 33482-6277	34950-1210	34950-1220	
KEY A, BLACK	33482-1278	A-BLK	GCP	PLR	M-R						6						12	PLANNED OBSOLESCENCE	SEE 33482-6278	34950-1210	34950-1220	
KEY A, BLACK	33482-1279	A-BLK	GCP	PLR	M-R	1	2	3	4	5		7	8	9	10	11		PLANNED OBSOLESCENCE	SEE 33482-6279	34950-1210	34950-1220	
KEY A, BLACK	33482-1280	A-BLK	GCP	PLR	M-R	1	2	3	4	5	6			9				PLANNED OBSOLESCENCE	SEE 33482-6280	34950-1210	34950-1220	
KEY A, BLACK	33482-1281	A-BLK	GCP	PLR	M-R		2		4				8		10	11		PLANNED OBSOLESCENCE	SEE 33482-6281	34950-1210	34950-1220	
KEY A, BLACK	33482-1282	A-BLK	GCP	PLR	M-R	1	2	3	4	5	6			9	10	11	12	PLANNED OBSOLESCENCE	SEE 33482-6282	34950-1210	34950-1220	
KEY A, BLACK	33482-1283	A-BLK	GCP	PLR	M-R						6				10	11	12	PLANNED OBSOLESCENCE	SEE 33482-6283	34950-1210	34950-1220	
KEY A, BLACK	33482-1284	A-BLK	GCP	PLR	M-R	1		3	4	5	6	7	8		10	11	12	PLANNED OBSOLESCENCE	SEE 33482-6284	34950-1210	34950-1220	
KEY D, STONE GRAY	33482-1285	D-SG	GCP	PLR	M-R	1					6	7						PLANNED OBSOLESCENCE	SEE 33482-6285	34950-1210	34950-1220	
KEY A, BLACK	33482-1286	A-BLK	GCP	PLR	M-R		2	3					8	9				PLANNED OBSOLESCENCE	SEE 33482-6286	34950-1210	34950-1220	
KEY A, BLACK	33482-1287	A-BLK	GCP	PLR	M-R	1						7						PLANNED OBSOLESCENCE	SEE 33482-6287	34950-1210	34950-1220	
KEY A, BLACK	33482-1288	A-BLK	GCP	PLR	M-R	1					6							PLANNED OBSOLESCENCE	SEE 33482-6288	34950-1210	34950-1220	
KEY A, BLACK	33482-1289	A-BLK	GCP	PLR	M-R	1	2	3	4	5	6							PLANNED OBSOLESCENCE	SEE 33482-6289	34950-1210	34950-1220	
KEY A, BLACK	33482-1290	A-BLK	GCP	PLR	M-R	1						7					12	PLANNED OBSOLESCENCE	SEE 33482-6290	34950-1210	34950-1220	
KEY A, BLACK	33482-1291	A-BLK	GCP	PLR	M-R	1	2	3	4	5	6	7	8					PLANNED OBSOLESCENCE	SEE 33482-6291	34950-1210	34950-1220	
KEY A, BLACK	33482-1292	A-BLK	GCP	PLR	M-R									9				PLANNED OBSOLESCENCE	SEE 33482-6292	34950-1210	34950-1220	
KEY A, BLACK	33482-1293	A-BLK	GCP	PLR	M-R			3	4					9	10	11	12	PLANNED OBSOLESCENCE	SEE 33482-6293	34950-1210	34950-1220	
KEY A, BLACK	33482-1294	A-BLK	GCP	PLR	M-R	1	2			5	6	7	8					PLANNED OBSOLESCENCE	SEE 33482-6294	34950-1210	34950-1220	
KEY A, BLACK	33482-1295	A-BLK	GCP	PLR	M-R	1	2			5	6	7	8			11	12	PLANNED OBSOLESCENCE	SEE 33482-6295	34950-1210	34950-1220	
KEY A, BLACK	33482-1296	A-BLK	GCP	PLR	M-R	1	2	3	4	5	6	7	8	9	10			PLANNED OBSOLESCENCE	SEE 33482-6296	34950-1210	34950-1220	
KEY A, BLACK	33482-1297	A-BLK	GCP	PLR	M-R				4						10	11	12	PLANNED OBSOLESCENCE	SEE 33482-6297	34950-1210	34950-1220	
KEY A, BLACK	33482-1298	A-BLK	GCP	PLR	M-R						6					11	12	PLANNED OBSOLESCENCE	SEE 33482-6298	34950-1210	34950-1220	
KEY A, BLACK	33482-1299	A-BLK	GCP	PLR	M-R	1	2					7	8					PLANNED OBSOLESCENCE	SEE 33482-6299	34950-1210	34950-1220	
KEY A, BLACK	33482-1300	A-BLK	GCP	PLR	M-R	1	2	3							10	11	12	PLANNED OBSOLESCENCE	SEE 33482-6300	34950-1210	34950-1220	
KEY A, BLACK	33482-1301	A-BLK	GCP	PLR	M-R	1	2					7	8					PLANNED OBSOLESCENCE	SEE 33482-6301	34950-1210	34950-1220	
KEY B, LIGHT GRAY	33482-1302	B-LG	GCP	PLR	M-R										10	11		PLANNED OBSOLESCENCE	SEE 33482-6302	34950-1210	34950-1220	
KEY A, BLACK	33482-1303	A-BLK	GCP	PLR	M-R	1	2	3	4				7	8	9	10		PLANNED OBSOLESCENCE	SEE 33482-6303	34950-1210	34950-1220	
KEY A, BLACK	33482-1304	A-BLK	GCP	PLR	M-R	1	2	3	4				7	8	9	10		PLANNED OBSOLESCENCE	SEE 33482-6304	34950-1210	34950-1220	
KEY B, LIGHT GRAY	33482-1305	B-LG	GCP	PLR	M-R										10	11	12	PLANNED OBSOLESCENCE	SEE 33482-6305	34950-1210	34950-1220	
KEY B, LIGHT GRAY	33482-1306	B-LG	GCP	PLR	M-R	1	2	3	4	5	6	7			10	11	12	PLANNED OBSOLESCENCE	SEE 33482-6306	34950-1210	34950-1220	
KEY A, BLACK	33482-1307	A-BLK	GCP	PLR	M-R	1	2	3	4	5			7	8				PLANNED OBSOLESCENCE	SEE 33482-6307	34950-1210	34950-1220	
KEY A, BLACK	33482-1308	A-BLK	GCP	PLR	M-R								7	8	9	10	11	12	PLANNED OBSOLESCENCE	SEE 33482-6308	34950-1210	34950-1220
KEY A, BLACK	33482-1309	A-BLK	GCP	PLR	M-R	1								8		10	11		PLANNED OBSOLESCENCE	SEE 33482-6309	34950-1210	34950-1220
KEY A, BLACK	33482-1310	A-BLK	GCP	PLR	M-R	1										11		PLANNED OBSOLESCENCE	SEE 33482-6310	34950-1210	34950-1220	
KEY A, BLACK	33482-1311	A-BLK	GCP	PLR	M-R	1	2			4						11	12	PLANNED OBSOLESCENCE	SEE 33482-6311	34950-1210	34950-1220	
KEY A, BLACK	33482-1312	A-BLK	GCP	PLR	M-R								8	9				PLANNED OBSOLESCENCE	SEE 33482-6312	34950-1210	34950-1220	
KEY A, BLACK	33482-1313	A-BLK	GCP	PLR	M-R			3	4	5	6			8	9	10	11	PLANNED OBSOLESCENCE	SEE 33482-6313	34950-1210	34950-1220	
KEY A, BLACK	33482-1314	A-BLK	GCP	PLR	M-R						6	7	8	9	10			PLANNED OBSOLESCENCE	SEE 33482-6314	34950-1210	34950-1220	
KEY A, BLACK	33482-1315	A-BLK	GCP	PLR	M-R						6	7	8	9				PLANNED OBSOLESCENCE	SEE 33482-6315	34950-1210	34950-1220	
KEY A, BLACK	33482-1316	A-BLK	GCP	PLR	M-R					5	6	7	8			11		PLANNED OBSOLESCENCE	SEE 33482-6316	34950-1210	34950-1220	
KEY A, BLACK	33482-1317	A-BLK	GCP	PLR	M-R	1	2											PLANNED OBSOLESCENCE	SEE 33482-6317	34950-1210	34950-1220	
KEY A, BLACK	33482-1318	A-BLK	GCP	PLR	M-R	1	2	3	4	5	6	7	8					PLANNED OBSOLESCENCE	SEE 33482-6318	34950-1210	34950-1220	
KEY A, BLACK	33482-1319	A-BLK	GCP	PLR	M-R	1	2	3	4	5	6	7	8	9				PLANNED OBSOLESCENCE	SEE 33482-6319	34950-1210	34950-1220	
KEY C, DARK GRAY	33482-1320	C-DG	GCP	PLR	M-R	1					6	7						PLANNED OBSOLESCENCE				

MX150 2X6 BLADE SEALED ASSY MAT SEAL  
BOM AND PIN OUT SHEET

ASSEMBLY DESCRIPTION	ASSEMBLY PART NUMBER	COMPONENT				BLOCKED TERMINALS												STATUS	COMMENTS	OPTIONAL ATTACHMENTS SOLD SEPERATELY		
		THE PRESENCE OF AN ABBREVIATION INDICATES THE PRESENCE OF THAT COMPONENT.				CAVITY WITH A NUMBER INDICATES BLOCKED TERMINAL POSITION CAVITY WITHOUT A NUMBER INDICATES OPEN TERMINAL POSITION														BACKSHELL WITH RIBS	BACKSHELL WITHOUT RIBS	
		HOUSING KEY/COLOR	GROMMET CAP	PLR	MAT SEAL	1	2	3	4	5	6	7	8	9	10	11	12					
KEY A, BLACK	33482-1332	A-BLK	GCP	PLR	M-R				4	5		7	8	9	10			PLANNED OBSOLESCENCE	SEE 33482-6332	34950-1210	34950-1220	
KEY A, BLACK	33482-1333	A-BLK	GCP	PLR	M-R				4					9	10			PLANNED OBSOLESCENCE	SEE 33482-6333	34950-1210	34950-1220	
KEY A, BLACK	33482-1334	A-BLK	GCP	PLR	M-R				4	5				8	10			PLANNED OBSOLESCENCE	SEE 33482-6334	34950-1210	34950-1220	
KEY A, BLACK	33482-1335	A-BLK	GCP	PLR	M-R	1	2		4	5	6	7				12		PLANNED OBSOLESCENCE	SEE 33482-6335	34950-1210	34950-1220	
KEY A, YELLOW	33482-1336	A-YL	GCP	PLR	M-R													PLANNED OBSOLESCENCE	SEE 33482-6336	34950-1210	34950-1220	
KEY B, LIGHT GRAY	33482-1337	B-LG	GCP	PLR	M-R					5				8				PLANNED OBSOLESCENCE	SEE 33482-6337	34950-1210	34950-1220	
KEY B, LIGHT GRAY	33482-1338	B-LG	GCP	PLR	M-R					5				8		11	12	PLANNED OBSOLESCENCE	SEE 33482-6338	34950-1210	34950-1220	
KEY B, LIGHT GRAY	33482-1339	B-LG	GCP	PLR	M-R					5				8		11	12	PLANNED OBSOLESCENCE	SEE 33482-6339	34950-1210	34950-1220	
KEY B, LIGHT GRAY	33482-1340	B-LG	GCP	PLR	M-R	1	2	3	4	5				8	9	10	11	12	PLANNED OBSOLESCENCE	SEE 33482-6340	34950-1210	34950-1220
KEY A, BLACK	33482-1341	A-BLK	GCP	PLR	M-R	1	2	3		5				9		11		PLANNED OBSOLESCENCE	SEE 33482-6341	34950-1210	34950-1220	
KEY A, BLACK	33482-1342	A-BLK	GCP	PLR	M-R		2	3		5						11		PLANNED OBSOLESCENCE	SEE 33482-6342	34950-1210	34950-1220	
KEY A, BLACK	33482-1343	A-BLK	GCP	PLR	M-R	1	2	3						9		11		PLANNED OBSOLESCENCE	SEE 33482-6343	34950-1210	34950-1220	
KEY A, BLACK	33482-1344	A-BLK	GCP	PLR	M-R	1	2	3	4	5				9		11	12	PLANNED OBSOLESCENCE	SEE 33482-6344	34950-1210	34950-1220	
KEY A, BLACK	33482-1345	A-BLK	GCP	PLR	M-R		2	3	4	5						11	12	PLANNED OBSOLESCENCE	SEE 33482-6345	34950-1210	34950-1220	
KEY A, BLACK	33482-1346	A-BLK	GCP	PLR	M-R	1												PLANNED OBSOLESCENCE	SEE 33482-6346	34950-1210	34950-1220	
KEY A, BLACK	33482-1347	A-BLK	GCP	PLR	M-R	1	2	3										PLANNED OBSOLESCENCE	SEE 33482-6347	34950-1210	34950-1220	
KEY B, LIGHT GRAY	33482-1348	B-LG	GCP	PLR	M-R	1	2	3			6					11	12	PLANNED OBSOLESCENCE	SEE 33482-6348	34950-1210	34950-1220	
KEY A, BLACK	33482-1349	A-BLK	GCP	PLR	M-R				4			7	8					PLANNED OBSOLESCENCE	SEE 33482-6349	34950-1210	34950-1220	
KEY A, BLACK	33482-1350	A-BLK	GCP	PLR	M-R		2						8					PLANNED OBSOLESCENCE	SEE 33482-6350	34950-1210	34950-1220	
KEY A, BLACK	33482-1351	A-BLK	GCP	PLR	M-R		2		4					10				PLANNED OBSOLESCENCE	SEE 33482-6351	34950-1210	34950-1220	
KEY A, BLACK	33482-1352	A-BLK	GCP	PLR	M-R	1	2	3	4	5	6			8		10	11	12	PLANNED OBSOLESCENCE	SEE 33482-6352	34950-1210	34950-1220
KEY A, BLACK	33482-1353	A-BLK	GCP	PLR	M-R	1					6	7	8					PLANNED OBSOLESCENCE	SEE 33482-6353	34950-1210	34950-1220	
KEY A, BLACK	33482-1354	A-BLK	GCP	PLR	M-R		2	3	4		6			8	10	11	12	PLANNED OBSOLESCENCE	SEE 33482-6354	34950-1210	34950-1220	
KEY A, BLACK	33482-1355	A-BLK	GCP	PLR	M-R		2				6	7	8		10	11		PLANNED OBSOLESCENCE	SEE 33482-6355	34950-1210	34950-1220	
KEY A, BLACK	33482-1356	A-BLK	GCP	PLR	M-R	1	2	3	4		6			10	11	12		PLANNED OBSOLESCENCE	SEE 33482-6356	34950-1210	34950-1220	
KEY A, BLACK	33482-1357	A-BLK	GCP	PLR	M-R					5				8				PLANNED OBSOLESCENCE	SEE 33482-6357	34950-1210	34950-1220	
KEY A, BLACK	33482-1358	A-BLK	GCP	PLR	M-R				4						10			PLANNED OBSOLESCENCE	SEE 33482-6358	34950-1210	34950-1220	
KEY A, BLACK	33482-1359	A-BLK	GCP	PLR	M-R				4			7	8	9	10	11	12	PLANNED OBSOLESCENCE	SEE 33482-6359	34950-1210	34950-1220	
KEY A, BLACK	33482-1360	A-BLK	GCP	PLR	M-R					5	6			8	9	10	11	12	PLANNED OBSOLESCENCE	SEE 33482-6360	34950-1210	34950-1220
KEY A, BLACK	33482-1361	A-BLK	GCP	PLR	M-R				4	5	6			8	9	10	11	12	PLANNED OBSOLESCENCE	SEE 33482-6361	34950-1210	34950-1220
KEY A, BLACK	33482-1362	A-BLK	GCP	PLR	M-R	1	2	3		5	6	7	8	9		11	12	PLANNED OBSOLESCENCE	SEE 33482-6362	34950-1210	34950-1220	
KEY A, BLACK	33482-1363	A-BLK	GCP	PLR	M-R				4	5		7	8	9	10	11	12	PLANNED OBSOLESCENCE	SEE 33482-6363	34950-1210	34950-1220	
KEY A, BLACK	33482-1364	A-BLK	GCP	PLR	M-R				4			7	8	9	10			PLANNED OBSOLESCENCE	SEE 33482-6364	34950-1210	34950-1220	
KEY A, BLACK	33482-1365	A-BLK	GCP	PLR	M-R						6	7	8	9	10	11	12	PLANNED OBSOLESCENCE	SEE 33482-6365	34950-1210	34950-1220	
KEY A, BLACK	33482-1366	A-BLK	GCP	PLR	M-R	1	2				6	7	8	9	10	11	12	PLANNED OBSOLESCENCE	SEE 33482-6366	34950-1210	34950-1220	
KEY A, BLACK	33482-1367	A-BLK	GCP	PLR	M-R						5			8		10		PLANNED OBSOLESCENCE	SEE 33482-6367	34950-1210	34950-1220	
KEY A, BLACK	33482-1368	A-BLK	GCP	PLR	M-R	1	2	3	4			7	8	9	10	11	12	PLANNED OBSOLESCENCE	SEE 33482-6368	34950-1210	34950-1220	
KEY A, BLACK	33482-1369	A-BLK	GCP	PLR	M-R				4					9	10			PLANNED OBSOLESCENCE	SEE 33482-6369	34950-1210	34950-1220	
KEY A, BLACK	33482-1370	A-BLK	GCP	PLR	M-R	1	2	3			6	7			10	11	12	PLANNED OBSOLESCENCE	SEE 33482-6370	34950-1210	34950-1220	
KEY A, BLACK	33482-1371	A-BLK	GCP	PLR	M-R							7	8			11		PLANNED OBSOLESCENCE	SEE 33482-6371	34950-1210	34950-1220	
KEY A, BLACK	33482-1372	A-BLK	GCP	PLR	M-R	1		3					5		10		12	PLANNED OBSOLESCENCE	SEE 33482-6372	34950-1210	34950-1220	
KEY A, BLACK	33482-1373	A-BLK	GCP	PLR	M-R		2		4		6	7		9		11		PLANNED OBSOLESCENCE	SEE 33482-6373	34950-1210	34950-1220	
KEY A, BLACK	33482-1374	A-BLK	GCP	PLR	M-R		2							9	10	11	12	PLANNED OBSOLESCENCE	SEE 33482-6374	34950-1210	34950-1220	
KEY A, BLACK	33482-1375	A-BLK	GCP	PLR	M-R							7		9	10			PLANNED OBSOLESCENCE	SEE 33482-6375	34950-1210	34950-1220	
KEY A, BLACK	33482-1376	A-BLK	GCP	PLR	M-R		2		4			7						PLANNED OBSOLESCENCE	SEE 33482-6376	34950-1210	34950-1220	
KEY A, BLACK	33482-1377	A-BLK	GCP	PLR	M-R	1	2	3	4		6			9	10	11	12	PLANNED OBSOLESCENCE	SEE 33482-6377	34950-1210	34950-1220	
KEY A, BLACK	33482-1378	A-BLK	GCP	PLR	M-R	1		3			5				11	12		PLANNED OBSOLESCENCE	SEE 33482-6378	34950-1210	34950-1220	
KEY A, BLACK	33482-1379	A-BLK	GCP	PLR	M-R	1		3			5			8		10	11	12	PLANNED OBSOLESCENCE	SEE 33482-6379	34950-1210	34950-1220
KEY A, BLACK	33482-1380	A-BLK	GCP	PLR	M-R		2					7	8					PLANNED OBSOLESCENCE	SEE 33482-6380	34950-1210	34950-1220	
KEY A, BLACK	33482-1381	A-BLK	GCP	PLR	M-R		2			4			7	8				PLANNED OBSOLESCENCE	SEE 33482-6381	34950-1210	34950-1220	
KEY A, BLACK	33482-1382	A-BLK	GCP	PLR	M-R				4	5	6			8		10	11	PLANNED OBSOLESCENCE	SEE 33482-6382	34950-1210	34950-1220	
KEY A, BLACK	33482-1383	A-BLK	GCP	PLR	M-R	1	2	3	4			7	8	9	10	11		PLANNED OBSOLESCENCE	SEE 33482-6383	34950-1210	34950-1220	
KEY A, BLACK	33482-1384	A-BLK	GCP	PLR	M-R				3	4				9	10			PLANNED OBSOLESCENCE	SEE 33482-6384	34950-1210	34950-1220	
KEY A, BLACK	33482-1385	A-BLK	GCP	PLR	M-R				3	4						11	12	PLANNED OBSOLESCENCE	SEE 33482-6385	34950-1210	34950-1220	
KEY A, BLACK	33482-1386	A-BLK	GCP	PLR	M-R	1	2	3	4		6	7	8	9	10	11		PLANNED OBSOLESCENCE	SEE 33482-6386	34950-1210	34950-1220	
KEY A, BLACK	33482-1387	A-BLK	GCP	PLR	M-R	1	2	3	4	5	6	7	8	9				PLANNED OBSOLESCENCE	SEE 33482-6387	34950-1210	34950-1220	
KEY A, BLACK	33482-1388	A-BLK	GCP	PLR	M-R	1	2	3							10	11	12	PLANNED OBSOLESCENCE	SEE 33482-6388	34950-1210	34950-1220	
KEY A, BLACK	33482-1389	A-BLK	GCP	PLR	M-R	1	2	3			6					11	12	PLANNED OBSOLESCENCE	SEE 33482-6389	34950-1210	34950-1220	
KEY A, BLACK	33482-1390	A-BLK	GCP	PLR	M-R	1		3	4							11		PLANNED OBSOLESCENCE	SEE 33482-6390	34950-1210	34950-1220	
KEY A, BLACK	33482-1391	A-BLK	GCP	PLR	M-R	1	2	3			6				10	11	12	PLANNED OBSOLESCENCE	SEE 33482-6391	34950-1210	34950-1220	
KEY A, BLACK	33482-1392	A-BLK	GCP	PLR	M-R	1		3	4							11	12	PLANNED OBSOLESCENCE	SEE 33482-6392	34950-1210	34950-1220	
KEY A, BLACK	33482-1393	A-BLK	GCP	PLR	M-R				4	5		7				11	12	PLANNED OBSOLESCENCE	SEE 33482-6393	34950-1210	34950-1220	
KEY B, LIGHT GRAY	33482-1394	B-LG	GCP	PLR	M-R	1	2	3	4				8	9	10	11	12	PLANNED OBSOLESCENCE	SEE 33482-6394	34950-1210	34950-1220	
KEY B, LIGHT GRAY	33482-1395	B-LG	GCP	PLR	M-R	1	2	3	4				8	9	10			PLANNED OBSOLESCENCE	SEE 33482-6395	34950-1210	34950-1220	
KEY A, BLACK	33482-1396	A-BLK	GCP	PLR	M-R	1					6	7	8	9	10			PLANNED OBSOLESCENCE	SEE 33482-6396	34950-1210	34950-1220	
KEY A, BLACK	33482-1397	A-BLK	GCP	PLR	M-R				4		6		8					PLANNED OBSOLESCENCE	SEE 33482-6397	34950-1210	34950-1220	
KEY A, BLACK	33482-1398	A-BLK	GCP	PLR	M-R				4	5	6	7				11	12	PLANNED OBSOLESCENCE	SEE 33482-6398	34950-1210	34950-1220	
KEY A, BLACK	33482-1399	A-BLK	GCP	PLR	M-R	1	2	3	4	5	6	7	8			11	12	PLANNED OBSOLESCENCE	SEE 33482-6399	34950-1210		

MX150 2X6 BLADE SEALED ASSY MAT SEAL  
BOM AND PIN OUT SHEET

ASSEMBLY DESCRIPTION	ASSEMBLY PART NUMBER	COMPONENT				BLOCKED TERMINALS												STATUS	COMMENTS	OPTIONAL ATTACHMENTS SOLD SEPERATELY		
		THE PRESENCE OF AN ABBREVIATION INDICATES THE PRESENCE OF THAT COMPONENT.				CAVITY WITH A NUMBER INDICATES BLOCKED TERMINAL POSITION CAVITY WITHOUT A NUMBER INDICATES OPEN TERMINAL POSITION														BACKSHELL WITH RIBS	BACKSHELL WITHOUT RIBS	
		HOUSING KEY/COLOR	GROMMET CAP	PLR	MAT SEAL	1	2	3	4	5	6	7	8	9	10	11	12					
KEY A, BLACK	33482-1411	A-BLK	GCP	PLR	M-R		2	3						9				PLANNED OBSOLESCENCE	SEE 33482-6411	34950-1210	34950-1220	
KEY A, BLACK	33482-1412	A-BLK	GCP	PLR	M-R								8		10		11	PLANNED OBSOLESCENCE	SEE 33482-6412	34950-1210	34950-1220	
KEY A, BLACK	33482-1413	A-BLK	GCP	PLR	M-R	1		3		5						11		PLANNED OBSOLESCENCE	SEE 33482-6413	34950-1210	34950-1220	
KEY A, BLACK	33482-1414	A-BLK	GCP	PLR	M-R	1		3		5			8		10		11	PLANNED OBSOLESCENCE	SEE 33482-6414	34950-1210	34950-1220	
KEY A, BLACK	33482-1415	A-BLK	GCP	PLR	M-R		2	3		5		6	7		9		11	PLANNED OBSOLESCENCE	SEE 33482-6415	34950-1210	34950-1220	
KEY A, BLACK	33482-1416	A-BLK	GCP	PLR	M-R	1			4	5	6		8		10		12	PLANNED OBSOLESCENCE	SEE 33482-6416	34950-1210	34950-1220	
KEY A, BLACK	33482-1417	A-BLK	GCP	PLR	M-R	1			4	5			8		10		12	PLANNED OBSOLESCENCE	SEE 33482-6417	34950-1210	34950-1220	
KEY A, BLACK	33482-1418	A-BLK	GCP	PLR	M-R	1	2	3	4	5			8		10		11	PLANNED OBSOLESCENCE	SEE 33482-6418	34950-1210	34950-1220	
KEY A, BLACK	33482-1419	A-BLK	GCP	PLR	M-R		2	3		5	6	7		9	10	11	12	PLANNED OBSOLESCENCE	SEE 33482-6419	34950-1210	34950-1220	
KEY A, BLACK	33482-1420	A-BLK	GCP	PLR	M-R	1	2	3	4				8	9				PLANNED OBSOLESCENCE	SEE 33482-6420	34950-1210	34950-1220	
KEY A, BLACK	33482-1421	A-BLK	GCP	PLR	M-R		2	3						9				PLANNED OBSOLESCENCE	SEE 33482-6421	34950-1210	34950-1220	
KEY A, BLACK	33482-1422	A-BLK	GCP	PLR	M-R								8		10		11	PLANNED OBSOLESCENCE	SEE 33482-6422	34950-1210	34950-1220	
KEY A, BLACK	33482-1423	A-BLK	GCP	PLR	M-R	1		3		5						11		PLANNED OBSOLESCENCE	SEE 33482-6423	34950-1210	34950-1220	
KEY A, BLACK	33482-1424	A-BLK	GCP	PLR	M-R	1		3		5			8		10		11	PLANNED OBSOLESCENCE	SEE 33482-6424	34950-1210	34950-1220	
KEY A, BLACK	33482-1425	A-BLK	GCP	PLR	M-R		2		4		6	7	8	9	10	11	12	PLANNED OBSOLESCENCE	SEE 33482-6425	34950-1210	34950-1220	
KEY A, BLACK	33482-1426	A-BLK	GCP	PLR	M-R			3	4							11	12	PLANNED OBSOLESCENCE	SEE 33482-6426	34950-1210	34950-1220	
KEY A, BLACK	33482-1427	A-BLK	GCP	PLR	M-R			3	4				9	10				PLANNED OBSOLESCENCE	SEE 33482-6427	34950-1210	34950-1220	
KEY A, BLACK	33482-1428	A-BLK	GCP	PLR	M-R	1	2			5	6	7	8	9	10			PLANNED OBSOLESCENCE	SEE 33482-6428	34950-1210	34950-1220	
KEY A, BLACK	33482-1429	A-BLK	GCP	PLR	M-R				3	4	5	6		9	10			PLANNED OBSOLESCENCE	SEE 33482-6429	34950-1210	34950-1220	
KEY A, BLACK	33482-1430	A-BLK	GCP	PLR	M-R				3	4	5	6		9				PLANNED OBSOLESCENCE	SEE 33482-6430	34950-1210	34950-1220	
KEY B, LIGHT GRAY	33482-1431	B-LG	GCP	PLR	M-R	1	2	3	4				8			11	12	PLANNED OBSOLESCENCE	SEE 33482-6431	34950-1210	34950-1220	
KEY B, LIGHT GRAY	33482-1432	B-LG	GCP	PLR	M-R	1	2	3	4				8					PLANNED OBSOLESCENCE	SEE 33482-6432	34950-1210	34950-1220	
KEY A, BLACK	33482-1433	A-BLK	GCP	PLR	M-R										10	11	12	PLANNED OBSOLESCENCE	SEE 33482-6433	34950-1210	34950-1220	
KEY B, LIGHT GRAY	33482-1434	B-LG	GCP	PLR	M-R							7	8	9			12	PLANNED OBSOLESCENCE	SEE 33482-6434	34950-1210	34950-1220	
KEY A, BLACK	33482-1435	A-BLK	GCP	PLR	M-R							7	8	9	10	11	12	PLANNED OBSOLESCENCE	SEE 33482-6435	34950-1210	34950-1220	
KEY A, BLACK	33482-1436	A-BLK	GCP	PLR	M-R		2						8	9	10	11	12	PLANNED OBSOLESCENCE	SEE 33482-6436	34950-1210	34950-1220	
KEY A, BLACK	33482-1437	A-BLK	GCP	PLR	M-R		2						8	9				PLANNED OBSOLESCENCE	SEE 33482-6437	34950-1210	34950-1220	
KEY B, LIGHT GRAY	33482-1438	B-LG	GCP	PLR	M-R	1	2	3	4				8			11	12	PLANNED OBSOLESCENCE	SEE 33482-6438	34950-1210	34950-1220	
KEY B, LIGHT GRAY	33482-1439	B-LG	GCP	PLR	M-R	1	2	3	4				8					PLANNED OBSOLESCENCE	SEE 33482-6439	34950-1210	34950-1220	
KEY A, BLACK	33482-1440	A-BLK	GCP	PLR	M-R	1	2				6			9	10			PLANNED OBSOLESCENCE	SEE 33482-6440	34950-1210	34950-1220	
KEY A, BLACK	33482-1441	A-BLK	GCP	PLR	M-R	1	2	3			6	7		10		11	12	PLANNED OBSOLESCENCE	SEE 33482-6441	34950-1210	34950-1220	
KEY A, BLACK	33482-1442	A-BLK	GCP	PLR	M-R		2				6		8					PLANNED OBSOLESCENCE	SEE 33482-6442	34950-1210	34950-1220	
KEY A, BLACK	33482-1443	A-BLK	GCP	PLR	M-R		2		4		6							PLANNED OBSOLESCENCE	SEE 33482-6443	34950-1210	34950-1220	
KEY A, BLACK	33482-1444	A-BLK	GCP	PLR	M-R			3	4		6		8	9				PLANNED OBSOLESCENCE	SEE 33482-6444	34950-1210	34950-1220	
KEY A, BLACK	33482-1445	A-BLK	GCP	PLR	M-R				4			7		9	10	11	12	PLANNED OBSOLESCENCE	SEE 33482-6445	34950-1210	34950-1220	
KEY C, DARK GRAY	33482-1446	C-DG	GCP	PLR	M-R			3	4									PLANNED OBSOLESCENCE	SEE 33482-6446	34950-1210	34950-1220	
KEY A, BLACK	33482-1447	A-BLK	GCP	PLR	M-R	1	2	3			6		8			11	12	PLANNED OBSOLESCENCE	SEE 33482-6447	34950-1210	34950-1220	
KEY A, BLACK	33482-1448	A-BLK	GCP	PLR	M-R					5	6	7	8	9	10			PLANNED OBSOLESCENCE	SEE 33482-6448	34950-1210	34950-1220	
KEY B, LIGHT GRAY	33482-1449	B-LG	GCP	PLR	M-R							7	8	9	10	11	12	PLANNED OBSOLESCENCE	SEE 33482-6449	34950-1210	34950-1220	
KEY A, BLACK	33482-1450	A-BLK	GCP	PLR	M-R		2	3			5	6	7	8	10	11	12	PLANNED OBSOLESCENCE	SEE 33482-6450	34950-1210	34950-1220	
KEY A, BLACK	33482-1451	A-BLK	GCP	PLR	M-R						5	6	7	8				PLANNED OBSOLESCENCE	SEE 33482-6451	34950-1210	34950-1220	
KEY A, BLACK	33482-1452	A-BLK	GCP	PLR	M-R			3	4				8	9	10	11	12	PLANNED OBSOLESCENCE	SEE 33482-6452	34950-1210	34950-1220	
KEY A, BLACK	33482-1453	A-BLK	GCP	PLR	M-R	1	2	3	4				8	9	10	11	12	PLANNED OBSOLESCENCE	SEE 33482-6453	34950-1210	34950-1220	
KEY A, BLACK	33482-1454	A-BLK	GCP	PLR	M-R	1		3	4				7	8	9			PLANNED OBSOLESCENCE	SEE 33482-6454	34950-1210	34950-1220	
KEY A, BLACK	33482-1455	A-BLK	GCP	PLR	M-R	1			4				7	8				PLANNED OBSOLESCENCE	SEE 33482-6455	34950-1210	34950-1220	
KEY A, BLACK	33482-1456	A-BLK	GCP	PLR	M-R	1	2		4	5	6					11		PLANNED OBSOLESCENCE	SEE 33482-6456	34950-1210	34950-1220	
KEY A, BLACK	33482-1457	A-BLK	GCP	PLR	M-R		2		4	5	6	7					12	PLANNED OBSOLESCENCE	SEE 33482-6457	34950-1210	34950-1220	
KEY A, BLACK	33482-1458	A-BLK	GCP	PLR	M-R		2				6							PLANNED OBSOLESCENCE	SEE 33482-6458	34950-1210	34950-1220	
KEY A, BLACK	33482-1459	A-BLK	GCP	PLR	M-R			3					7	8	9			PLANNED OBSOLESCENCE	SEE 33482-6459	34950-1210	34950-1220	
KEY A, BLACK	33482-1460	A-BLK	GCP	PLR	M-R	1							7	8			12	PLANNED OBSOLESCENCE	SEE 33482-6460	34950-1210	34950-1220	
KEY A, BLACK	33482-1461	A-BLK	GCP	PLR	M-R		2			5	6	7	8			11		PLANNED OBSOLESCENCE	SEE 33482-6461	34950-1210	34950-1220	
KEY A, BLACK	33482-1462	A-BLK	GCP	PLR	M-R		2	3		5	6	7	8	9				PLANNED OBSOLESCENCE	SEE 33482-6462	34950-1210	34950-1220	
KEY A, BLACK	33482-1463	A-BLK	GCP	PLR	M-R	1	2			4	5	6	7			11	12	PLANNED OBSOLESCENCE	SEE 33482-6463	34950-1210	34950-1220	
KEY A, BLACK	33482-1464	A-BLK	GCP	PLR	M-R	1	2		4	5	6	7	8		10	11	12	PLANNED OBSOLESCENCE	SEE 33482-6464	34950-1210	34950-1220	
KEY A, BLACK	33482-1465	A-BLK	GCP	PLR	M-R	1	2	3	4	5	6	7		9				PLANNED OBSOLESCENCE	SEE 33482-6465	34950-1210	34950-1220	
KEY A, BLACK	33482-1466	A-BLK	GCP	PLR	M-R												12	PLANNED OBSOLESCENCE	SEE 33482-6466	34950-1210	34950-1220	
KEY A, BLACK	33482-1467	A-BLK	GCP	PLR	M-R		2	3	4									PLANNED OBSOLESCENCE	SEE 33482-6467	34950-1210	34950-1220	
KEY A, BLACK	33482-1468	A-BLK	GCP	PLR	M-R				4	5			8		10	11	12	PLANNED OBSOLESCENCE	SEE 33482-6468	34950-1210	34950-1220	
KEY A, BLACK	33482-1469	A-BLK	GCP	PLR	M-R	1								9	10			PLANNED OBSOLESCENCE	SEE 33482-6469	34950-1210	34950-1220	
KEY A, BLACK	33482-1470	A-BLK	GCP	PLR	M-R								7	8	9			PLANNED OBSOLESCENCE	SEE 33482-6470	34950-1210	34950-1220	
KEY C, DARK GRAY	33482-1471	C-DG	GCP	PLR	M-R			3	4				8					PLANNED OBSOLESCENCE	SEE 33482-6471	34950-1210	34950-1220	
KEY A, BLACK	33482-1472	A-BLK	GCP	PLR	M-R	1	2						7	8	9	10	11	12	PLANNED OBSOLESCENCE	SEE 33482-6472	34950-1210	34950-1220
KEY A, BLACK	33482-1473	A-BLK	GCP	PLR	M-R					5			7	8	9			PLANNED OBSOLESCENCE	SEE 33482-6473	34950-1210	34950-1220	
KEY A, BLACK	33482-1474	A-BLK	GCP	PLR	M-R	1	2			5					10		12	PLANNED OBSOLESCENCE	SEE 33482-6474	34950-1210	34950-1220	
KEY A, BLACK	33482-1475	A-BLK	GCP	PLR	M-R					5								PLANNED OBSOLESCENCE	SEE 33482-6475	34950-1210	34950-1220	
KEY A, BLACK	33482-1476	A-BLK	GCP	PLR	M-R			3	4	5								PLANNED OBSOLESCENCE	SEE 33482-6476	34950-1210	34950-1220	
KEY A, BLACK	33482-1477	A-BLK	GCP	PLR	M-R	1	2			5				9	10	11	12	PLANNED OBSOLESCENCE	SEE 33482-6477	34950-1210	34950-1220	
KEY A, BLACK	33482-1478	A-BLK	GCP	PLR	M-R					5				9				PLANNED OBSOLESCENCE	SEE 33482-6478	34950-1210	34950-1220	

MX150 2X6 BLADE SEALED ASSY MAT SEAL  
BOM AND PIN OUT SHEET

ASSEMBLY DESCRIPTION	ASSEMBLY PART NUMBER	COMPONENT				BLOCKED TERMINALS												STATUS	COMMENTS	OPTIONAL ATTACHMENTS SOLD SEPERATELY		
		THE PRESENCE OF AN ABBREVIATION INDICATES THE PRESENCE OF THAT COMPONENT.				CAVITY WITH A NUMBER INDICATES BLOCKED TERMINAL POSITION CAVITY WITHOUT A NUMBER INDICATES OPEN TERMINAL POSITION														BACKSHELL WITH RIBS	BACKSHELL WITHOUT RIBS	
		HOUSING KEY/COLOR	GROMMET CAP	PLR	MAT SEAL	1	2	3	4	5	6	7	8	9	10	11	12					
KEY A, BLACK	33482-1490	A-BLK	GCP	PLR	M-B	1	2	3	4								11	12	PLANNED OBSOLESCENCE	SEE 33482-6490	34950-1210	34950-1220
KEY A, BLACK	33482-1491	A-BLK	GCP	PLR	M-B	1		3		5									PLANNED OBSOLESCENCE	SEE 33482-6491	34950-1210	34950-1220
KEY A, BLACK	33482-1492	A-BLK	GCP	PLR	M-B		2			6	7	8							PLANNED OBSOLESCENCE	SEE 33482-6492	34950-1210	34950-1220
KEY A, BLACK	33482-1493	A-BLK	GCP	PLR	M-B					5	7								PLANNED OBSOLESCENCE	SEE 33482-6493	34950-1210	34950-1220
KEY A, BLACK	33482-1494	A-BLK	GCP	PLR	M-B					5									PLANNED OBSOLESCENCE	SEE 33482-6494	34950-1210	34950-1220
KEY A, BLACK	33482-1495	A-BLK	GCP	PLR	M-B	1	2	3	4	5	6								PLANNED OBSOLESCENCE	SEE 33482-6495	34950-1210	34950-1220
KEY A, BLACK	33482-1496	A-BLK	GCP	PLR	M-B	1	2	3	4		6	7	8	9					PLANNED OBSOLESCENCE	SEE 33482-6496	34950-1210	34950-1220
KEY A, BLACK	33482-6201	A-BLK	GCP	PLR	M-B														SALEABLE		34950-1210	34950-1220
KEY B, LIGHT GRAY	33482-6202	B-LG	GCP	PLR	M-B														SALEABLE		34950-1210	34950-1220
KEY C, BROWN	33482-6203	C-BR	GCP	PLR	M-B														NOT RECOMMENDED	SEE 33482-6261	34950-1210	34950-1220
KEY D, GREEN	33482-6204	D-GR	GCP	PLR	M-B														NOT RECOMMENDED	SEE 33482-6262	34950-1210	34950-1220
VOID KEY	33482-6205																					
KEY A, BLACK	33482-6206	A-BLK	GCP	PLR	M-B						6								SALEABLE		34950-1210	34950-1220
KEY B, LIGHT GRAY	33482-6207	B-LG	GCP	PLR	M-B						6								SALEABLE		34950-1210	34950-1220
KEY C, BROWN	33482-6208	C-BR	GCP	PLR	M-B						6								NOT RECOMMENDED		34950-1210	34950-1220
KEY D, GREEN	33482-6209	D-GR	GCP	PLR	M-B						6								NOT RECOMMENDED		34950-1210	34950-1220
VOID KEY	33482-6210																					
KEY A, BLACK	33482-6211	A-BLK	GCP	PLR	M-B						6	7							SALEABLE		34950-1210	34950-1220
KEY B, LIGHT GRAY	33482-6212	B-LG	GCP	PLR	M-B						6	7							SALEABLE		34950-1210	34950-1220
KEY C, BROWN	33482-6213	C-BR	GCP	PLR	M-B						6	7							NOT RECOMMENDED		34950-1210	34950-1220
KEY D, GREEN	33482-6214	D-GR	GCP	PLR	M-B						6	7							NOT RECOMMENDED		34950-1210	34950-1220
VOID KEY	33482-6215																					
KEY A, BLACK	33482-6216	A-BLK	GCP	PLR	M-B	1					6	7							SALEABLE		34950-1210	34950-1220
KEY B, LIGHT GRAY	33482-6217	B-LG	GCP	PLR	M-B	1					6	7							SALEABLE		34950-1210	34950-1220
KEY C, BROWN	33482-6218	C-BR	GCP	PLR	M-B	1					6	7							NOT RECOMMENDED	SEE 33482-6320	34950-1210	34950-1220
KEY D, GREEN	33482-6219	D-GR	GCP	PLR	M-B	1					6	7							NOT RECOMMENDED	SEE 33482-6285	34950-1210	34950-1220
VOID KEY	33482-6220																					
KEY A, BLACK	33482-6221	A-BLK	GCP	PLR	M-B	1					6	7							SALEABLE		34950-1210	34950-1220
KEY B, LIGHT GRAY	33482-6222	B-LG	GCP	PLR	M-B	1					6	7							SALEABLE		34950-1210	34950-1220
KEY C, BROWN	33482-6223	C-BR	GCP	PLR	M-B	1					6	7							NOT RECOMMENDED		34950-1210	34950-1220
KEY D, GREEN	33482-6224	D-GR	GCP	PLR	M-B	1					6	7							NOT RECOMMENDED		34950-1210	34950-1220
VOID KEY	33482-6225																					
KEY A, BLACK	33482-6226	A-BLK	GCP	PLR	M-B						6								SALEABLE		34950-1210	34950-1220
KEY A, BLACK	33482-6227	A-BLK	GCP	PLR	M-B	1	2	3	4	5	6	7	8	9	10	11	12		SALEABLE		34950-1210	34950-1220
KEY B, LIGHT GRAY	33482-6228	B-LG	GCP	PLR	M-B	1	2	3	4	5	6	7	8	9	10	11	12		SALEABLE		34950-1210	34950-1220
KEY C, BROWN	33482-6229	C-BR	GCP	PLR	M-B	1	2	3	4	5	6	7	8	9	10	11	12		NOT RECOMMENDED	SEE 33482-6263	34950-1210	34950-1220
KEY D, GREEN	33482-6230	D-GR	GCP	PLR	M-B	1	2	3	4	5	6	7	8	9	10	11	12		NOT RECOMMENDED	SEE 33482-6264	34950-1210	34950-1220
VOID KEY	33482-6231																					
KEY A, BLACK	33482-6232	A-BLK	GCP	PLR	M-B		2	3					8				11		SALEABLE		34950-1210	34950-1220
KEY A, BLACK	33482-6233	A-BLK	GCP	PLR	M-B		2	3			5	6	7	8			11		SALEABLE		34950-1210	34950-1220
KEY A, BLACK	33482-6234	A-BLK	GCP	PLR	M-B						6	7							SALEABLE		34950-1210	34950-1220
KEY A, BLACK	33482-6235	A-BLK	GCP	PLR	M-B			2	3		6	7	8				10	11	SALEABLE		34950-1210	34950-1220
KEY B, LIGHT GRAY	33482-6236	B-LG	GCP	PLR	M-B	1					5	6	7	8	9	10			SALEABLE		34950-1210	34950-1220
KEY A, BLACK	33482-6237	A-BLK	GCP	PLR	M-B														SALEABLE		34950-1210	34950-1220
KEY B, LIGHT GRAY	33482-6238	B-LG	GCP	PLR	M-B		2										9	10	SALEABLE		34950-1210	34950-1220
KEY A, BLACK	33482-6239	A-BLK	GCP	PLR	M-B	1					5	6	7	8					SALEABLE		34950-1210	34950-1220
KEY A, BLACK	33482-6240	A-BLK	GCP	PLR	M-B		2	3						8	9	10	11		SALEABLE		34950-1210	34950-1220
KEY A, BLACK	33482-6241	A-BLK	GCP	PLR	M-B								7	8	9	10	11		SALEABLE		34950-1210	34950-1220
KEY A, BLACK	33482-6242	A-BLK	GCP	PLR	M-B								7	8					SALEABLE		34950-1210	34950-1220
KEY A, BLACK	33482-6243	A-BLK	GCP	PLR	M-B		2							9	10				SALEABLE		34950-1210	34950-1220
KEY A, BLACK	33482-6244	A-BLK	GCP	PLR	M-B		2		4										SALEABLE		34950-1210	34950-1220
KEY A, BLACK	33482-6245	A-BLK	GCP	PLR	M-B									9	10	11	12		SALEABLE		34950-1210	34950-1220
KEY A, BLACK	33482-6246	A-BLK	GCP	PLR	M-B												11		SALEABLE		34950-1210	34950-1220
KEY A, BLACK	33482-6247	A-BLK	GCP	PLR	M-B			2	3	4				7	8				SALEABLE		34950-1210	34950-1220
KEY A, BLACK	33482-6248	A-BLK	GCP	PLR	M-B	1			3	4	5	6	7	8					SALEABLE		34950-1210	34950-1220
KEY A, BLACK	33482-6249	A-BLK	GCP	PLR	M-B											10	11	12	SALEABLE		34950-1210	34950-1220
KEY A, BLACK	33482-6250	A-BLK	GCP	PLR	M-B					4	5	6	7	8	9				SALEABLE		34950-1210	34950-1220
KEY A, BLACK	33482-6251	A-BLK	GCP	PLR	M-B		2		4	5				8		10	11		SALEABLE		34950-1210	34950-1220
KEY A, BLACK	33482-6252	A-BLK	GCP	PLR	M-B								7						SALEABLE		34950-1210	34950-1220
KEY A, BLACK	33482-6253	A-BLK	GCP	PLR	M-B		2	3	4	5	6	7	8			10	11	12	SALEABLE		34950-1210	34950-1220
KEY A, BLACK	33482-6254	A-BLK	GCP	PLR	M-B		2	3	4	5						10	11	12	SALEABLE		34950-1210	34950-1220
KEY A, BLACK	33482-6255	A-BLK	GCP	PLR	M-B			2	3	4	5	6	7			10	11	12	SALEABLE		34950-1210	34950-1220
KEY A, BLACK	33482-6256	A-BLK	GCP	PLR	M-B	1					6	7			9				SALEABLE		34950-1210	34950-1220
KEY A, BLACK	33482-6257	A-BLK	GCP	PLR	M-B									9	10				SALEABLE		34950-1210	34950-1220
KEY A, BLACK	33482-6258	A-BLK	GCP	PLR	M-B		2	3										11	SALEABLE		34950-1210	34950-1220
KEY A, BLACK	33482-6259	A-BLK	GCP	PLR	M-B	1	2	3	4	5					9	10	11	12	SALEABLE		34950-1210	34950-1220
KEY A, BLACK	33482-6260	A-BLK	GCP	PLR	M-B												11	12	SALEABLE		34950-1210	34950-1220
KEY C, DARK GRAY	33482-6261	C-DG	GCP	PLR	M-B														SALEABLE		34950-1210	34950-1220
KEY D, STONE GRAY	33482-6262	D-SG	GCP	PLR	M-B														SALEABLE		34950-1210	34950-1220
KEY C, DARK GRAY	33482-6263	C-DG	GCP	PLR	M-B	1	2	3	4	5	6	7	8	9	10	11	12		SALEABLE		34950-1210	34950-1220
KEY D, STONE GRAY	33482-6264	D-SG	GCP	PLR	M-B	1	2	3	4	5	6	7	8	9	10	11	12		SALEABLE		34950-1210	34950-1220
KEY A, BLACK	33482-6265	A-BLK	GCP	PLR	M-B						6	7	8	9	10	11			SALEABLE		34950-1210	34950-1220
KEY A, BLACK	33482-6266	A-BLK	GCP	PLR	M-B	1	2	3	4	5	6	7							SALEABLE		34950-1210	34950-1220
KEY A, BLACK	33482-6267	A-BLK	GCP	PLR	M-B				3	4	5	6	7						SALEABLE		34950-1210	34950-1220
KEY A, BLACK	33482-6268	A-BLK	GCP	PLR	M-B				3	4	5	6	7	8	9	10	11		SALEABLE		34950-1210	34950-1220
KEY A, BLACK	33482-6269	A-BLK	GCP	PLR	M-B	1																

MX150 2X6 BLADE SEALED ASSY MAT SEAL  
BOM AND PIN OUT SHEET

ASSEMBLY DESCRIPTION	ASSEMBLY PART NUMBER	COMPONENT				BLOCKED TERMINALS												STATUS	COMMENTS	OPTIONAL ATTACHMENTS SOLD SEPERATELY					
		THE PRESENCE OF AN ABBREVIATION INDICATES THE PRESENCE OF THAT COMPONENT.				CAVITY WITH A NUMBER INDICATES BLOCKED TERMINAL POSITION CAVITY WITHOUT A NUMBER INDICATES OPEN TERMINAL POSITION														BACKSHELL WITH RIBS	BACKSHELL WITHOUT RIBS				
		HOUSING KEY/COLOR	GROMMET CAP	PLR	MAT SEAL	1	2	3	4	5	6	7	8	9	10	11	12								
KEY A, BLACK	33482-6273	A-BLK	GCP	PLR	M-B											8				SALEABLE			34950-1210	34950-1220	
KEY A, BLACK	33482-6274	A-BLK	GCP	PLR	M-B	1			3	4	5	6				8		10	11	12	SALEABLE			34950-1210	34950-1220
KEY A, BLACK	33482-6275	A-BLK	GCP	PLR	M-B					4						8		10			SALEABLE			34950-1210	34950-1220
KEY A, BLACK	33482-6276	A-BLK	GCP	PLR	M-B	1	2	3	4			6				8		10	11	12	SALEABLE			34950-1210	34950-1220
KEY A, BLACK	33482-6277	A-BLK	GCP	PLR	M-B	1	2	3										11	12		SALEABLE			34950-1210	34950-1220
KEY A, BLACK	33482-6278	A-BLK	GCP	PLR	M-B							6							12		SALEABLE			34950-1210	34950-1220
KEY A, BLACK	33482-6279	A-BLK	GCP	PLR	M-B	1	2	3	4	5		7	8	9	10	11					SALEABLE			34950-1210	34950-1220
KEY A, BLACK	33482-6280	A-BLK	GCP	PLR	M-B	1	2	3	4	5	6			9							SALEABLE			34950-1210	34950-1220
KEY A, BLACK	33482-6281	A-BLK	GCP	PLR	M-B		2				6			8		10	11				SALEABLE			34950-1210	34950-1220
KEY A, BLACK	33482-6282	A-BLK	GCP	PLR	M-B	1	2	3	4	5	6				9	10	11	12			SALEABLE			34950-1210	34950-1220
KEY A, BLACK	33482-6283	A-BLK	GCP	PLR	M-B						6				9	10	11	12			SALEABLE			34950-1210	34950-1220
KEY A, BLACK	33482-6284	A-BLK	GCP	PLR	M-B	1			3	4	5	6	7	8		10	11	12			SALEABLE			34950-1210	34950-1220
KEY D, STONE GRAY	33482-6285	D-SG	GCP	PLR	M-B	1						6	7								SALEABLE			34950-1210	34950-1220
KEY A, BLACK	33482-6286	A-BLK	GCP	PLR	M-B		2	3						8	9						SALEABLE			34950-1210	34950-1220
KEY A, BLACK	33482-6287	A-BLK	GCP	PLR	M-B	1							7								SALEABLE			34950-1210	34950-1220
KEY A, BLACK	33482-6288	A-BLK	GCP	PLR	M-B	1					6										SALEABLE			34950-1210	34950-1220
KEY A, BLACK	33482-6289	A-BLK	GCP	PLR	M-B	1	2	3	4	5	6			8							SALEABLE			34950-1210	34950-1220
KEY A, BLACK	33482-6290	A-BLK	GCP	PLR	M-B	1							7						12		SALEABLE			34950-1210	34950-1220
KEY A, BLACK	33482-6291	A-BLK	GCP	PLR	M-B	1	2	3	4	5	6	7	8						12		SALEABLE			34950-1210	34950-1220
KEY A, BLACK	33482-6292	A-BLK	GCP	PLR	M-B									9							SALEABLE			34950-1210	34950-1220
KEY A, BLACK	33482-6293	A-BLK	GCP	PLR	M-B				3	4					9	10	11	12			SALEABLE			34950-1210	34950-1220
KEY A, BLACK	33482-6294	A-BLK	GCP	PLR	M-B	1	2				5	6	7	8							SALEABLE			34950-1210	34950-1220
KEY A, BLACK	33482-6295	A-BLK	GCP	PLR	M-B	1	2				5	6	7	8			11	12			SALEABLE			34950-1210	34950-1220
KEY A, BLACK	33482-6296	A-BLK	GCP	PLR	M-B	1	2	3	4	5	6	7	8	9	10						SALEABLE			34950-1210	34950-1220
KEY A, BLACK	33482-6297	A-BLK	GCP	PLR	M-B				4		6				10	11	12				SALEABLE			34950-1210	34950-1220
KEY A, BLACK	33482-6298	A-BLK	GCP	PLR	M-B						6					11	12				SALEABLE			34950-1210	34950-1220
KEY A, BLACK	33482-6299	A-BLK	GCP	PLR	M-B	1	2						7	8							SALEABLE			34950-1210	34950-1220
KEY A, BLACK	33482-6300	A-BLK	GCP	PLR	M-B	1	2	3						8		10	11	12			SALEABLE			34950-1210	34950-1220
KEY A, BLACK	33482-6301	A-BLK	GCP	PLR	M-B	1	2						7	8					12		SALEABLE			34950-1210	34950-1220
KEY B, LIGHT GRAY	33482-6302	B-LG	GCP	PLR	M-B											10	11				SALEABLE			34950-1210	34950-1220
KEY A, BLACK	33482-6303	A-BLK	GCP	PLR	M-B	1	2	3	4				7	8	9	10			12		SALEABLE			34950-1210	34950-1220
KEY A, BLACK	33482-6304	A-BLK	GCP	PLR	M-B	1	2	3	4				7	8	9	10					SALEABLE			34950-1210	34950-1220
KEY B, LIGHT GRAY	33482-6305	B-LG	GCP	PLR	M-B											10	11	12			SALEABLE			34950-1210	34950-1220
KEY B, LIGHT GRAY	33482-6306	B-LG	GCP	PLR	M-B	1	2	3	4	5	6	7			10	11	12				SALEABLE			34950-1210	34950-1220
KEY A, BLACK	33482-6307	A-BLK	GCP	PLR	M-B	1	2	3	4	5			7	8							SALEABLE			34950-1210	34950-1220
KEY A, BLACK	33482-6308	A-BLK	GCP	PLR	M-B								7	8	9	10	11	12			SALEABLE			34950-1210	34950-1220
KEY A, BLACK	33482-6309	A-BLK	GCP	PLR	M-B	1								8		10	11				SALEABLE			34950-1210	34950-1220
KEY A, BLACK	33482-6310	A-BLK	GCP	PLR	M-B	1			4												SALEABLE			34950-1210	34950-1220
KEY A, BLACK	33482-6311	A-BLK	GCP	PLR	M-B	1	2		4	5	6	7			9	10	11	12			SALEABLE			34950-1210	34950-1220
KEY A, BLACK	33482-6312	A-BLK	GCP	PLR	M-B									8	9						SALEABLE			34950-1210	34950-1220
KEY A, BLACK	33482-6313	A-BLK	GCP	PLR	M-B				3	4	5	6			9	10	11				SALEABLE			34950-1210	34950-1220
KEY A, BLACK	33482-6314	A-BLK	GCP	PLR	M-B				3			6	7	8	9	10					SALEABLE			34950-1210	34950-1220
KEY A, BLACK	33482-6315	A-BLK	GCP	PLR	M-B							6	7	8	9						SALEABLE			34950-1210	34950-1220
KEY A, BLACK	33482-6316	A-BLK	GCP	PLR	M-B						5	6	7	8			11				SALEABLE			34950-1210	34950-1220
KEY A, BLACK	33482-6317	A-BLK	GCP	PLR	M-B	1	2														SALEABLE			34950-1210	34950-1220
KEY A, BLACK	33482-6318	A-BLK	GCP	PLR	M-B	1	2	3	4	5	6	7	8								SALEABLE			34950-1210	34950-1220
KEY A, BLACK	33482-6319	A-BLK	GCP	PLR	M-B	1	2	3	4	5	6	7	8	9							SALEABLE			34950-1210	34950-1220
KEY C, DARK GRAY	33482-6320	C-DG	GCP	PLR	M-B	1						6	7								SALEABLE			34950-1210	34950-1220
KEY C, BROWN	33482-6321	C-BR	GCP	PLR	M-B	1	2	3	4	5	6										NOT RECOMMENDED	SEE 33482-6328		34950-1210	34950-1220
KEY C, BROWN	33482-6322	C-BR	GCP	PLR	M-B	1	2				5	6									NOT RECOMMENDED	SEE 33482-6329		34950-1210	34950-1220
KEY A, BLACK	33482-6323	A-BLK	GCP	PLR	M-B				3					7		9	10	11	12		SALEABLE			34950-1210	34950-1220
KEY A, BLACK	33482-6324	A-BLK	GCP	PLR	M-B				3						9	10	11	12			SALEABLE			34950-1210	34950-1220
KEY A, BLACK	33482-6325	A-BLK	GCP	PLR	M-B				3						9						SALEABLE			34950-1210	34950-1220
KEY A, BLACK	33482-6326	A-BLK	GCP	PLR	M-B						5	6	7			10	11				SALEABLE			34950-1210	34950-1220
KEY A, BLACK	33482-6327	A-BLK	GCP	PLR	M-B								7				11				SALEABLE			34950-1210	34950-1220
KEY C, DARK GRAY	33482-6328	C-DG	GCP	PLR	M-B	1	2	3	4	5	6										SALEABLE			34950-1210	34950-1220
KEY C, DARK GRAY	33482-6329	C-DG	GCP	PLR	M-B	1	2				5	6									SALEABLE			34950-1210	34950-1220
KEY A, BLACK	33482-6330	A-BLK	GCP	PLR	M-B	1	2	3	4					9	10	11	12				SALEABLE			34950-1210	34950-1220
KEY A, BLACK	33482-6331	A-BLK	GCP	PLR	M-B	1	2					6	7	8							SALEABLE			34950-1210	34950-1220
KEY A, BLACK	33482-6332	A-BLK	GCP	PLR	M-B					4	5			7	8	9	10				SALEABLE			34950-1210	34950-1220
KEY A, BLACK	33482-6333	A-BLK	GCP	PLR	M-B					4					9	10					SALEABLE			34950-1210	34950-1220
KEY A, BLACK	33482-6334	A-BLK	GCP	PLR	M-B					4	5				8		10				SALEABLE			34950-1210	34950-1220
KEY A, BLACK	33482-6335	A-BLK	GCP	PLR	M-B	1	2		4	5	6	7							12		SALEABLE			34950-1210	34950-1220
KEY A, YELLOW	33482-6336	A-YL	GCP	PLR	M-B																SALEABLE			34950-1210	34950-1220
KEY B, LIGHT GRAY	33482-6337	B-LG	GCP	PLR	M-B						5				8						SALEABLE			34950-1210	34950-1220
KEY B, LIGHT GRAY	33482-6338	B-LG	GCP	PLR	M-B						5				8			11	12		SALEABLE			34950-1210	34950-1220
KEY B, LIGHT GRAY	33482-6339	B-LG	GCP	PLR	M-B				3	4	5				8	9	10	11	12		SALEABLE			34950-1210	34950-1220
KEY B, LIGHT GRAY	33482-6340	B-LG	GCP	PLR	M-B	1	2	3	4	5				8	9	10	11	12			SALEABLE			34950-1210	34950-1220
KEY A, BLACK	33482-6341	A-BLK	GCP	PLR	M-B	1	2	3			5														

MX150 2X6 BLADE SEALED ASSY MAT SEAL  
BOM AND PIN OUT SHEET

ASSEMBLY DESCRIPTION	ASSEMBLY PART NUMBER	COMPONENT				BLOCKED TERMINALS												STATUS	COMMENTS	OPTIONAL ATTACHMENTS SOLD SEPERATELY		
		THE PRESENCE OF AN ABBREVIATION INDICATES THE PRESENCE OF THAT COMPONENT.				CAVITY WITH A NUMBER INDICATES BLOCKED TERMINAL POSITION CAVITY WITHOUT A NUMBER INDICATES OPEN TERMINAL POSITION														BACKSHELL WITH RIBS	BACKSHELL WITHOUT RIBS	
		HOUSING KEY/COLOR	GROMMET CAP	PLR	MAT SEAL	1	2	3	4	5	6	7	8	9	10	11	12					
KEY A, BLACK	33482-6352	A-BLK	GCP	PLR	M-B	1	2	3	4	5	6	7	8	9	10	11	12	SALEABLE		34950-1210	34950-1220	
KEY A, BLACK	33482-6353	A-BLK	GCP	PLR	M-B	1					6	7	8			12	SALEABLE		34950-1210	34950-1220		
KEY A, BLACK	33482-6354	A-BLK	GCP	PLR	M-B		2	3	4		6		8		10	11	12	SALEABLE		34950-1210	34950-1220	
KEY A, BLACK	33482-6355	A-BLK	GCP	PLR	M-B		2				6	7	8		10	11		SALEABLE		34950-1210	34950-1220	
KEY A, BLACK	33482-6356	A-BLK	GCP	PLR	M-B	1	2	3	4		6				10	11	12	SALEABLE		34950-1210	34950-1220	
KEY A, BLACK	33482-6357	A-BLK	GCP	PLR	M-B					5			8					SALEABLE		34950-1210	34950-1220	
KEY A, BLACK	33482-6358	A-BLK	GCP	PLR	M-B				4						10			SALEABLE		34950-1210	34950-1220	
KEY A, BLACK	33482-6359	A-BLK	GCP	PLR	M-B				4			7	8	9	10	11	12	SALEABLE		34950-1210	34950-1220	
KEY A, BLACK	33482-6360	A-BLK	GCP	PLR	M-B					5	6		8	9	10	11	12	SALEABLE		34950-1210	34950-1220	
KEY A, BLACK	33482-6361	A-BLK	GCP	PLR	M-B				4	5	6		8	9	10	11	12	SALEABLE		34950-1210	34950-1220	
KEY A, BLACK	33482-6362	A-BLK	GCP	PLR	M-B	1	2	3		5	6	7	8	9		11	12	SALEABLE		34950-1210	34950-1220	
KEY A, BLACK	33482-6363	A-BLK	GCP	PLR	M-B				4	5		7	8	9	10	11	12	SALEABLE		34950-1210	34950-1220	
KEY A, BLACK	33482-6364	A-BLK	GCP	PLR	M-B				4			7	8	9	10			SALEABLE		34950-1210	34950-1220	
KEY A, BLACK	33482-6365	A-BLK	GCP	PLR	M-B						6	7	8	9	10	11	12	SALEABLE		34950-1210	34950-1220	
KEY A, BLACK	33482-6366	A-BLK	GCP	PLR	M-B	1	2				6	7	8	9	10		11	12	SALEABLE		34950-1210	34950-1220
KEY A, BLACK	33482-6367	A-BLK	GCP	PLR	M-B					5			8		10			SALEABLE		34950-1210	34950-1220	
KEY A, BLACK	33482-6368	A-BLK	GCP	PLR	M-B	1	2	3	4			7	8	9	10	11	12	SALEABLE		34950-1210	34950-1220	
KEY A, BLACK	33482-6369	A-BLK	GCP	PLR	M-B				4									SALEABLE		34950-1210	34950-1220	
KEY A, BLACK	33482-6370	A-BLK	GCP	PLR	M-B	1	2	3			6	7			10	11	12	SALEABLE		34950-1210	34950-1220	
KEY A, BLACK	33482-6371	A-BLK	GCP	PLR	M-B							7	8			11		SALEABLE		34950-1210	34950-1220	
KEY A, BLACK	33482-6372	A-BLK	GCP	PLR	M-B	1		3		5			8		10		12	SALEABLE		34950-1210	34950-1220	
KEY A, BLACK	33482-6373	A-BLK	GCP	PLR	M-B		2		4		6	7		9		11		SALEABLE		34950-1210	34950-1220	
KEY A, BLACK	33482-6374	A-BLK	GCP	PLR	M-B		2								10	11	12	SALEABLE		34950-1210	34950-1220	
KEY A, BLACK	33482-6375	A-BLK	GCP	PLR	M-B							7		9	10			SALEABLE		34950-1210	34950-1220	
KEY A, BLACK	33482-6376	A-BLK	GCP	PLR	M-B		2		4			7						SALEABLE		34950-1210	34950-1220	
KEY A, BLACK	33482-6377	A-BLK	GCP	PLR	M-B	1	2	3	4		6			9	10	11	12	SALEABLE		34950-1210	34950-1220	
KEY A, BLACK	33482-6378	A-BLK	GCP	PLR	M-B	1		3		5					11	12		SALEABLE		34950-1210	34950-1220	
KEY A, BLACK	33482-6379	A-BLK	GCP	PLR	M-B	1		3		5			8		10	11	12	SALEABLE		34950-1210	34950-1220	
KEY A, BLACK	33482-6380	A-BLK	GCP	PLR	M-B		2					7	8					SALEABLE		34950-1210	34950-1220	
KEY A, BLACK	33482-6381	A-BLK	GCP	PLR	M-B		2		4			7	8					SALEABLE		34950-1210	34950-1220	
KEY A, BLACK	33482-6382	A-BLK	GCP	PLR	M-B				4	5	6		8		10	11		SALEABLE		34950-1210	34950-1220	
KEY A, BLACK	33482-6383	A-BLK	GCP	PLR	M-B	1	2	3	4			7	8	9	10	11		SALEABLE		34950-1210	34950-1220	
KEY A, BLACK	33482-6384	A-BLK	GCP	PLR	M-B			3	4					9	10			SALEABLE		34950-1210	34950-1220	
KEY A, BLACK	33482-6385	A-BLK	GCP	PLR	M-B			3	4						11	12		SALEABLE		34950-1210	34950-1220	
KEY A, BLACK	33482-6386	A-BLK	GCP	PLR	M-B	1	2	3	4		6	7	8	9	10	11		SALEABLE		34950-1210	34950-1220	
KEY A, BLACK	33482-6387	A-BLK	GCP	PLR	M-B	1	2	3	4	5	6	7	8	9			12	SALEABLE		34950-1210	34950-1220	
KEY A, BLACK	33482-6388	A-BLK	GCP	PLR	M-B	1	2	3							10	11	12	SALEABLE		34950-1210	34950-1220	
KEY A, BLACK	33482-6389	A-BLK	GCP	PLR	M-B	1	2	3			6				11	12		SALEABLE		34950-1210	34950-1220	
KEY A, BLACK	33482-6390	A-BLK	GCP	PLR	M-B	1		3	4						11			SALEABLE		34950-1210	34950-1220	
KEY A, BLACK	33482-6391	A-BLK	GCP	PLR	M-B	1	2	3			6				10	11	12	SALEABLE		34950-1210	34950-1220	
KEY A, BLACK	33482-6392	A-BLK	GCP	PLR	M-B	1		3	4						11	12		SALEABLE		34950-1210	34950-1220	
KEY A, BLACK	33482-6393	A-BLK	GCP	PLR	M-B				4	5		7			11	12		SALEABLE		34950-1210	34950-1220	
KEY B, LIGHT GRAY	33482-6394	B-LG	GCP	PLR	M-B	1	2	3	4				8	9	10	11	12	SALEABLE		34950-1210	34950-1220	
KEY B, LIGHT GRAY	33482-6395	B-LG	GCP	PLR	M-B	1	2	3	4				8	9	10			SALEABLE		34950-1210	34950-1220	
KEY A, BLACK	33482-6396	A-BLK	GCP	PLR	M-B	1					6	7	8	9	10			SALEABLE		34950-1210	34950-1220	
KEY A, BLACK	33482-6397	A-BLK	GCP	PLR	M-B				4		6		8					SALEABLE		34950-1210	34950-1220	
KEY A, BLACK	33482-6398	A-BLK	GCP	PLR	M-B				4	5	6	7			11	12		SALEABLE		34950-1210	34950-1220	
KEY A, BLACK	33482-6399	A-BLK	GCP	PLR	M-B	1	2	3	4	5	6	7	8			11	12	SALEABLE		34950-1210	34950-1220	
KEY A, BLACK	33482-6400	A-BLK	GCP	PLR	M-B	1	2	3				7	8					SALEABLE		34950-1210	34950-1220	
KEY A, BLACK	33482-6401	A-BLK	GCP	PLR	M-B	1	2	3				7	8	9	10			SALEABLE		34950-1210	34950-1220	
KEY A, BLACK	33482-6402	A-BLK	GCP	PLR	M-B				4	5	6		8					SALEABLE		34950-1210	34950-1220	
KEY A, BLACK	33482-6403	A-BLK	GCP	PLR	M-B					5	6	7	8	9	10	11	12	SALEABLE		34950-1210	34950-1220	
KEY A, BLACK	33482-6404	A-BLK	GCP	PLR	M-B					5	6	7	8			12		SALEABLE		34950-1210	34950-1220	
KEY A, BLACK	33482-6405	A-BLK	GCP	PLR	M-B							7	8			12		SALEABLE		34950-1210	34950-1220	
KEY A, BLACK	33482-6406	A-BLK	GCP	PLR	M-B		2	3		5	6	7		9	10	11	12	SALEABLE		34950-1210	34950-1220	
KEY A, BLACK	33482-6407	A-BLK	GCP	PLR	M-B			3							10	11	12	SALEABLE		34950-1210	34950-1220	
KEY A, BLACK	33482-6408	A-BLK	GCP	PLR	M-B				4	5	6	7	8		10	11	12	SALEABLE		34950-1210	34950-1220	
KEY A, BLACK	33482-6409	A-BLK	GCP	PLR	M-B			3	4	5	6	7	8		10	11	12	SALEABLE		34950-1210	34950-1220	
KEY A, BLACK	33482-6410	A-BLK	GCP	PLR	M-B	1	2	3	4				8	9				SALEABLE		34950-1210	34950-1220	
KEY A, BLACK	33482-6411	A-BLK	GCP	PLR	M-B		2	3						9				SALEABLE		34950-1210	34950-1220	
KEY A, BLACK	33482-6412	A-BLK	GCP	PLR	M-B								8		10	11		SALEABLE		34950-1210	34950-1220	
KEY A, BLACK	33482-6413	A-BLK	GCP	PLR	M-B	1		3		5					11			SALEABLE		34950-1210	34950-1220	
KEY A, BLACK	33482-6414	A-BLK	GCP	PLR	M-B	1		3		5			8		10	11		SALEABLE		34950-1210	34950-1220	
KEY A, BLACK	33482-6415	A-BLK	GCP	PLR	M-B		2	3		5	6	7		9		11	12	SALEABLE		34950-1210	34950-1220	
KEY A, BLACK	33482-6416	A-BLK	GCP	PLR	M-B	1			4	5	6		8		10	12		SALEABLE		34950-1210	34950-1220	
KEY A, BLACK	33482-6417	A-BLK	GCP	PLR	M-B	1			4	5			8		10	12		SALEABLE		34950-1210	34950-1220	
KEY A, BLACK	33482-6418	A-BLK	GCP	PLR	M-B	1	2	3	4	5			8		10	11	12	SALEABLE		34950-1210	34950-1220	
KEY A, BLACK	33482-6419	A-BLK	GCP	PLR	M-B		2	3		5	6	7		9	10	11	12	SALEABLE	SEE 33482-6406	34950-1210	34950-1220	
KEY A, BLACK	33482-6420	A-BLK	GCP	PLR	M-B	1	2	3	4				8	9				SALEABLE	SEE 33482-6410	34950-1210	34950-1220	
KEY A, BLACK	33482-6421	A-BLK	GCP	PLR	M-B		2	3						9				SALEABLE	SEE 33482-6411	34950-1210	34950-1220	
KEY A, BLACK	33482-6422	A-BLK	GCP	PLR	M-B								8		10	11		SALEABLE	SEE 33482-6412	34950-1210	34950-1220	
KEY A, BLACK	33482-6423	A-BLK	GCP	PLR	M-B	1		3		5					11			SALEABLE	SEE 33482-6413	34950-1210	34950-1220	
KEY A, BLACK	33482-6424	A-BLK	GCP	PLR	M-B	1		3		5			8		10	11		SALEABLE	SEE 33482-6414	34950-1210	34950-1220	
KEY A, BLACK	33482-6425	A-BLK	GCP	PLR	M-B		2		4		6	7	8	9	10	11	12	SALEABLE		34950-1210	34950-1220	
KEY A, BLACK	33482-6426	A-BLK	GCP	PLR	M-B		</															



**MX150 2X6 BLADE SEALED ASSY MAT SEAL  
BOM AND PIN OUT SHEET**

ASSEMBLY DESCRIPTION	ASSEMBLY PART NUMBER	COMPONENT				BLOCKED TERMINALS												STATUS	COMMENTS	OPTIONAL ATTACHMENTS SOLD SEPERATELY		
		THE PRESENCE OF AN ABBREVIATION INDICATES THE PRESENCE OF THAT COMPONENT.				CAVITY WITH A NUMBER INDICATES BLOCKED TERMINAL POSITION CAVITY WITHOUT A NUMBER INDICATES OPEN TERMINAL POSITION														BACKSHELL WITH RIBS	BACKSHELL WITHOUT RIBS	
		HOUSING KEY/COLOR	GROMMET CAP	PLR	MAT SEAL	1	2	3	4	5	6	7	8	9	10	11	12					
KEY B, LIGHT GRAY	33482-6431	B-LG	GCP	PLR	M-B	1	2	3	4				8			11	12	SALEABLE		34950-1210	34950-1220	
KEY B, LIGHT GRAY	33482-6432	B-LG	GCP	PLR	M-B	1	2	3	4				8					SALEABLE		34950-1210	34950-1220	
KEY A, BLACK	33482-6433	A-BLK	GCP	PLR	M-B										10	11	12	SALEABLE	SEE 33482-6249	34950-1210	34950-1220	
KEY B, LIGHT GRAY	33482-6434	B-LG	GCP	PLR	M-B							7	8	9			12	SALEABLE		34950-1210	34950-1220	
KEY A, BLACK	33482-6435	A-BLK	GCP	PLR	M-B							7	8	9	10	11	12	SALEABLE	SEE 33482-6308	34950-1210	34950-1220	
KEY A, BLACK	33482-6436	A-BLK	GCP	PLR	M-B		2						8	9	10	11	12	SALEABLE		34950-1210	34950-1220	
KEY A, BLACK	33482-6437	A-BLK	GCP	PLR	M-B		2						8	9				SALEABLE		34950-1210	34950-1220	
KEY B, LIGHT GRAY	33482-6438	B-LG	GCP	PLR	M-B	1	2	3	4							11	12	NOT RECOMMENDED	SEE 33482-6431	34950-1210	34950-1220	
KEY B, LIGHT GRAY	33482-6439	B-LG	GCP	PLR	M-B	1	2	3	4				8					NOT RECOMMENDED	SEE 33482-6432	34950-1210	34950-1220	
KEY A, BLACK	33482-6440	A-BLK	GCP	PLR	M-B	1	2				6			9	10			SALEABLE		34950-1210	34950-1220	
KEY A, BLACK	33482-6441	A-BLK	GCP	PLR	M-B	1	2	3			6	7			10	11	12	SALEABLE	SEE 33482-6370	34950-1210	34950-1220	
KEY A, BLACK	33482-6442	A-BLK	GCP	PLR	M-B		2		4		6		8					SALEABLE		34950-1210	34950-1220	
KEY A, BLACK	33482-6443	A-BLK	GCP	PLR	M-B		2		4		6							SALEABLE		34950-1210	34950-1220	
KEY A, BLACK	33482-6444	A-BLK	GCP	PLR	M-B			3	4		6		8	9				SALEABLE		34950-1210	34950-1220	
KEY A, BLACK	33482-6445	A-BLK	GCP	PLR	M-B				4			7		9	10	11	12	SALEABLE		34950-1210	34950-1220	
KEY C, DARK GRAY	33482-6446	C-DG	GCP	PLR	M-B			3	4									SALEABLE		34950-1210	34950-1220	
KEY A, BLACK	33482-6447	A-BLK	GCP	PLR	M-B	1	2	3			6		8			11	12	SALEABLE		34950-1210	34950-1220	
KEY A, BLACK	33482-6448	A-BLK	GCP	PLR	M-B						5	6	7	8	9	10		SALEABLE		34950-1210	34950-1220	
KEY B, LIGHT GRAY	33482-6449	B-LG	GCP	PLR	M-B							7			10	11	12	SALEABLE		34950-1210	34950-1220	
KEY A, BLACK	33482-6450	A-BLK	GCP	PLR	M-B		2	3			5	6	7	8		10	11	12	SALEABLE		34950-1210	34950-1220
KEY A, BLACK	33482-6451	A-BLK	GCP	PLR	M-B						5	6	7	8				SALEABLE		34950-1210	34950-1220	
KEY A, BLACK	33482-6452	A-BLK	GCP	PLR	M-B			3	4				8	9	10	11	12	SALEABLE		34950-1210	34950-1220	
KEY A, BLACK	33482-6453	A-BLK	GCP	PLR	M-B	1	2	3	4				8	9	10	11	12	SALEABLE		34950-1210	34950-1220	
KEY A, BLACK	33482-6454	A-BLK	GCP	PLR	M-B	1		3	4			7	8	9			12	SALEABLE		34950-1210	34950-1220	
KEY A, BLACK	33482-6455	A-BLK	GCP	PLR	M-B	1			4			7	8				12	SALEABLE		34950-1210	34950-1220	
KEY A, BLACK	33482-6456	A-BLK	GCP	PLR	M-B	1	2		4	5	6					11		SALEABLE		34950-1210	34950-1220	
KEY A, BLACK	33482-6457	A-BLK	GCP	PLR	M-B		2		4	5	6	7					12	SALEABLE		34950-1210	34950-1220	
KEY A, BLACK	33482-6458	A-BLK	GCP	PLR	M-B		2				6						12	SALEABLE		34950-1210	34950-1220	
KEY A, BLACK	33482-6459	A-BLK	GCP	PLR	M-B			3				7	8	9				SALEABLE		34950-1210	34950-1220	
KEY A, BLACK	33482-6460	A-BLK	GCP	PLR	M-B	1						7	8				12	SALEABLE		34950-1210	34950-1220	
KEY A, BLACK	33482-6461	A-BLK	GCP	PLR	M-B		2				5	6	7	8			11	SALEABLE		34950-1210	34950-1220	
KEY A, BLACK	33482-6462	A-BLK	GCP	PLR	M-B		2	3			5	6	7	8	9			SALEABLE		34950-1210	34950-1220	
KEY A, BLACK	33482-6463	A-BLK	GCP	PLR	M-B	1	2		4	5	6	7				11	12	SALEABLE		34950-1210	34950-1220	
KEY A, BLACK	33482-6464	A-BLK	GCP	PLR	M-B	1	2		4	5	6	7	8			10	11	12	SALEABLE		34950-1210	34950-1220
KEY A, BLACK	33482-6465	A-BLK	GCP	PLR	M-B	1	2	3	4	5	6	7		9			12	SALEABLE		34950-1210	34950-1220	
KEY A, BLACK	33482-6466	A-BLK	GCP	PLR	M-B												12	SALEABLE		34950-1210	34950-1220	
KEY A, BLACK	33482-6467	A-BLK	GCP	PLR	M-B		2	3	4									SALEABLE		34950-1210	34950-1220	
KEY A, BLACK	33482-6468	A-BLK	GCP	PLR	M-B				4	5			8			10	11	12	SALEABLE		34950-1210	34950-1220
KEY A, BLACK	33482-6469	A-BLK	GCP	PLR	M-B	1								9	10			SALEABLE		34950-1210	34950-1220	
KEY A, BLACK	33482-6470	A-BLK	GCP	PLR	M-B							7	8	9			12	SALEABLE		34950-1210	34950-1220	
KEY C, DARK GRAY	33482-6471	C-DG	GCP	PLR	M-B			3	4									SALEABLE		34950-1210	34950-1220	
KEY A, BLACK	33482-6472	A-BLK	GCP	PLR	M-B	1	2						7	8	9	10	11	12	SALEABLE		34950-1210	34950-1220
KEY A, BLACK	33482-6473	A-BLK	GCP	PLR	M-B						5		7	8	9		11	SALEABLE		34950-1210	34950-1220	
KEY A, BLACK	33482-6474	A-BLK	GCP	PLR	M-B	1	2				5					10		12	SALEABLE		34950-1210	34950-1220
KEY A, BLACK	33482-6475	A-BLK	GCP	PLR	M-B						5							SALEABLE		34950-1210	34950-1220	
KEY A, BLACK	33482-6476	A-BLK	GCP	PLR	M-B			3	4	5								SALEABLE		34950-1210	34950-1220	
KEY A, BLACK	33482-6477	A-BLK	GCP	PLR	M-B	1	2				5			9	10	11	12	SALEABLE		34950-1210	34950-1220	
KEY A, BLACK	33482-6478	A-BLK	GCP	PLR	M-B						5			9			11	SALEABLE		34950-1210	34950-1220	
KEY A, BLACK	33482-6479	A-BLK	GCP	PLR	M-B	1							8				11	SALEABLE		34950-1210	34950-1220	
KEY A, BLACK	33482-6480	A-BLK	GCP	PLR	M-B	1			4	5	6	7						SALEABLE		34950-1210	34950-1220	
KEY A, BLACK	33482-6481	A-BLK	GCP	PLR	M-B	1			4	5	6	7	8				11	SALEABLE		34950-1210	34950-1220	
KEY A, BLACK	33482-6482	A-BLK	GCP	PLR	M-B	1	2	3	4	5	6	7	8				11	SALEABLE		34950-1210	34950-1220	
KEY B, LIGHT GRAY	33482-6483	B-LG	GCP	PLR	M-B	1					6	7				10	11	12	SALEABLE		34950-1210	34950-1220
KEY B, LIGHT GRAY	33482-6484	B-LG	GCP	PLR	M-B	1					6	7	8	9	10	11	12	SALEABLE		34950-1210	34950-1220	
KEY B, LIGHT GRAY	33482-6485	B-LG	GCP	PLR	M-B	1					5	6	7	8	9	10	11	12	SALEABLE		34950-1210	34950-1220
KEY A, BLACK	33482-6486	A-BLK	GCP	PLR	M-B	1	2				5							SALEABLE		34950-1210	34950-1220	
KEY A, BLACK	33482-6487	A-BLK	GCP	PLR	M-B							7					11	12	SALEABLE		34950-1210	34950-1220
KEY A, BLACK	33482-6488	A-BLK	GCP	PLR	M-B	1	2	3	4	5	6	7	8					SALEABLE		34950-1210	34950-1220	
KEY A, BLACK	33482-6489	A-BLK	GCP	PLR	M-B				3			7	8					SALEABLE		34950-1210	34950-1220	
KEY A, BLACK	33482-6490	A-BLK	GCP	PLR	M-B	1	2	3	4								11	12	SALEABLE		34950-1210	34950-1220
KEY A, BLACK	33482-6491	A-BLK	GCP	PLR	M-B	1					5			9				SALEABLE		34950-1210	34950-1220	
KEY A, BLACK	33482-6492	A-BLK	GCP	PLR	M-B		2				6	7	8					SALEABLE		34950-1210	34950-1220	
KEY A, BLACK	33482-6493	A-BLK	GCP	PLR	M-B						5			9	10	11	12	SALEABLE		34950-1210	34950-1220	
KEY A, BLACK	33482-6494	A-BLK	GCP	PLR	M-B						5			9	10	11		SALEABLE		34950-1210	34950-1220	
KEY A, BLACK	33482-6495	A-BLK	GCP	PLR	M-B	1	2	3	4	5	6		8	9	10	11		SALEABLE		34950-1210	34950-1220	
KEY A, BLACK	33482-6496	A-BLK	GCP	PLR	M-B	1	2	3	4		6	7	8	9			12	SALEABLE		34950-1210	34950-1220	



MX150 2X8 BLADE SEALED ASSY MAT SEAL  
BOM AND PIN OUT SHEET

ASSEMBLY DESCRIPTION	ASSEMBLY PART NUMBER	COMPONENT				BLOCKED TERMINALS																STATUS	COMMENTS	OPTIONAL ATTACHMENTS SOLD SEPARATELY					
		THE PRESENCE OF AN ABBREVIATION INDICATES THE PRESENCE OF THAT COMPONENT.				CAVITY WITH A NUMBER INDICATES BLOCKED TERMINAL POSITION CAVITY WITHOUT A NUMBER INDICATES OPEN TERMINAL POSITION																		BACKSHELL WITH RIBS	BACKSHELL WITHOUT RIBS	90° ADAPTOR WITH RIBS	90° ADAPTOR WITHOUT RIBS		
		HOUSING KEY/COLOR	GROMMET CAP	PLR	MAT SEAL	1	2	3	4	5	6	7	8	9	10	11	12	13	14	15	16								
KEY A, BLACK	33482-1676	A-BLK	GCP	PLR	M-R					5	6	7	8					13						PLANNED OBSOLESCENCE	SEE 33482-8676	34950-1611	34950-1621	34951-1631	34951-1641
KEY A, BLACK	33482-1677	A-BLK	GCP	PLR	M-R					5	6	7	8			11		13						PLANNED OBSOLESCENCE	SEE 33482-8677	34950-1611	34950-1621	34951-1631	34951-1641
KEY A, BLACK	33482-1678	A-BLK	GCP	PLR	M-R					5	6	7	8					12	13	14				PLANNED OBSOLESCENCE	SEE 33482-8678	34950-1611	34950-1621	34951-1631	34951-1641

MX150 2X8 BLADE SEALED ASSY MAT SEAL  
BOM AND PIN OUT SHEET

ASSEMBLY DESCRIPTION	ASSEMBLY PART NUMBER	COMPONENT				BLOCKED TERMINALS																STATUS	COMMENTS	OPTIONAL ATTACHMENTS SOLD SEPARATELY				
		THE PRESENCE OF AN ABBREVIATION INDICATES THE PRESENCE OF THAT COMPONENT.				CAVITY WITH A NUMBER INDICATES BLOCKED TERMINAL POSITION CAVITY WITHOUT A NUMBER INDICATES OPEN TERMINAL POSITION																		BACKSHELL WITH RIBS	BACKSHELL WITHOUT RIBS	90° ADAPTOR WITH RIBS	90° ADAPTOR WITHOUT RIBS	
		HOUSING KEY/COLOR	GROMMET CAP	PLR	MAT SEAL	1	2	3	4	5	6	7	8	9	10	11	12	13	14	15	16							
KEY A, BLACK	33482-1781	A-BLK	GCP	PLR	M-R	1			4	5	6	7	8	9	10			13	14	15		PLANNED OBSOLESCENCE	SEE 33482-8781	34950-1611	34950-1621	34951-1631	34951-1641	
KEY A, BLACK	33482-1782	A-BLK	GCP	PLR	M-R	1			4		6	7	8		10	11	12	13	14	15		PLANNED OBSOLESCENCE	SEE 33482-8782	34950-1611	34950-1621	34951-1631	34951-1641	
KEY A, BLACK	33482-1783	A-BLK	GCP	PLR	M-R											11	12			15		PLANNED OBSOLESCENCE	SEE 33482-8783	34950-1611	34950-1621	34951-1631	34951-1641	
KEY A, BLACK	33482-1784	A-BLK	GCP	PLR	M-R																	PLANNED OBSOLESCENCE	SEE 33482-8784	34950-1611	34950-1621	34951-1631	34951-1641	
KEY A, BLACK	33482-1785	A-BLK	GCP	PLR	M-R	1					5		7			11	12	13	14	15	16	PLANNED OBSOLESCENCE	SEE 33482-8785	34950-1611	34950-1621	34951-1631	34951-1641	
KEY A, BLACK	33482-1786	A-BLK	GCP	PLR	M-R								7									PLANNED OBSOLESCENCE	SEE 33482-8786	34950-1611	34950-1621	34951-1631	34951-1641	
KEY A, BLACK	33482-1787	A-BLK	GCP	PLR	M-R	1	2				5			9			11	12	13	14	15	16	PLANNED OBSOLESCENCE	SEE 33482-8787	34950-1611	34950-1621	34951-1631	34951-1641
KEY A, BLACK	33482-1788	A-BLK	GCP	PLR	M-R	1	2						7				11	12	13	14	15	16	PLANNED OBSOLESCENCE	SEE 33482-8788	34950-1611	34950-1621	34951-1631	34951-1641
KEY A, BLACK	33482-1789	A-BLK	GCP	PLR	M-R	1					5			9				15				PLANNED OBSOLESCENCE	SEE 33482-8789	34950-1611	34950-1621	34951-1631	34951-1641	
KEY A, BLACK	33482-1790	A-BLK	GCP	PLR	M-R	1	2						7				11	12	13	14	15	16	PLANNED OBSOLESCENCE	SEE 33482-8790	34950-1611	34950-1621	34951-1631	34951-1641
KEY A, BLACK	33482-1791	A-BLK	GCP	PLR	M-R	1	2															PLANNED OBSOLESCENCE	SEE 33482-8791	34950-1611	34950-1621	34951-1631	34951-1641	
KEY A, BLACK	33482-1792	A-BLK	GCP	PLR	M-R						5		7								16	PLANNED OBSOLESCENCE	SEE 33482-8792	34950-1611	34950-1621	34951-1631	34951-1641	
KEY A, BLACK	33482-1793	A-BLK	GCP	PLR	M-R																	PLANNED OBSOLESCENCE	SEE 33482-8793	34950-1611	34950-1621	34951-1631	34951-1641	
KEY A, BLACK	33482-1794	A-BLK	GCP	PLR	M-R	1	2	3							10	11						PLANNED OBSOLESCENCE	SEE 33482-8794	34950-1611	34950-1621	34951-1631	34951-1641	
KEY A, BLACK	33482-1795	A-BLK	GCP	PLR	M-R																	PLANNED OBSOLESCENCE	SEE 33482-8795	34950-1611	34950-1621	34951-1631	34951-1641	
KEY A, BLACK	33482-1796	A-BLK	GCP	PLR	M-R								7									PLANNED OBSOLESCENCE	SEE 33482-8796	34950-1611	34950-1621	34951-1631	34951-1641	
KEY A, BLACK	33482-1797	A-BLK	GCP	PLR	M-R								7	8								PLANNED OBSOLESCENCE	SEE 33482-8797	34950-1611	34950-1621	34951-1631	34951-1641	
KEY A, BLACK	33482-1798	A-BLK	GCP	PLR	M-R											10	11	12	13	14	15	16	PLANNED OBSOLESCENCE	SEE 33482-8798	34950-1611	34950-1621	34951-1631	34951-1641
KEY A, BLACK	33482-1799	A-BLK	GCP	PLR	M-R																	PLANNED OBSOLESCENCE	SEE 33482-8799	34950-1611	34950-1621	34951-1631	34951-1641	
KEY A, BLACK	33482-1800	A-BLK	GCP	PLR	M-R	1	2															PLANNED OBSOLESCENCE	SEE 33482-8800	34950-1611	34950-1621	34951-1631	34951-1641	
KEY A, BLACK	33482-1801	A-BLK	GCP	PLR	M-R																	PLANNED OBSOLESCENCE	SEE 33482-8801	34950-1611	34950-1621	34951-1631	34951-1641	
KEY A, BLACK	33482-1802	A-BLK	GCP	PLR	M-R																	PLANNED OBSOLESCENCE	SEE 33482-8802	34950-1611	34950-1621	34951-1631	34951-1641	
KEY A, BLACK	33482-1803	A-BLK	GCP	PLR	M-R	1	2															PLANNED OBSOLESCENCE	SEE 33482-8803	34950-1611	34950-1621	34951-1631	34951-1641	
KEY A, BLACK	33482-1804	A-BLK	GCP	PLR	M-R	1	2															PLANNED OBSOLESCENCE	SEE 33482-8804	34950-1611	34950-1621	34951-1631	34951-1641	
KEY A, BLACK	33482-1805	A-BLK	GCP	PLR	M-R																	PLANNED OBSOLESCENCE	SEE 33482-8805	34950-1611	34950-1621	34951-1631	34951-1641	
KEY A, BLACK	33482-1806	A-BLK	GCP	PLR	M-R																	PLANNED OBSOLESCENCE	SEE 33482-8806	34950-1611	34950-1621	34951-1631	34951-1641	
KEY A, BLACK	33482-1807	A-BLK	GCP	PLR	M-R																	PLANNED OBSOLESCENCE	SEE 33482-8807	34950-1611	34950-1621	34951-1631	34951-1641	
KEY A, BLACK	33482-1808	A-BLK	GCP	PLR	M-R	1	2	3	4	5	6											PLANNED OBSOLESCENCE	SEE 33482-8808	34950-1611	34950-1621	34951-1631	34951-1641	
KEY A, BLACK	33482-1809	A-BLK	GCP	PLR	M-R	1																PLANNED OBSOLESCENCE	SEE 33482-8809	34950-1611	34950-1621	34951-1631	34951-1641	
KEY A, BLACK	33482-1810	A-BLK	GCP	PLR	M-R	1																PLANNED OBSOLESCENCE	SEE 33482-8810	34950-1611	34950-1621	34951-1631	34951-1641	
KEY A, BLACK	33482-1811	A-BLK	GCP	PLR	M-R																	PLANNED OBSOLESCENCE	SEE 33482-8811	34950-1611	34950-1621	34951-1631	34951-1641	
KEY A, BLACK	33482-1812	A-BLK	GCP	PLR	M-R																	PLANNED OBSOLESCENCE	SEE 33482-8812	34950-1611	34950-1621	34951-1631	34951-1641	
KEY A, BLACK	33482-1813	A-BLK	GCP	PLR	M-R																	PLANNED OBSOLESCENCE	SEE 33482-8813	34950-1611	34950-1621	34951-1631	34951-1641	
KEY A, BLACK	33482-1814	A-BLK	GCP	PLR	M-R																	PLANNED OBSOLESCENCE	SEE 33482-8814	34950-1611	34950-1621	34951-1631	34951-1641	
KEY A, BLACK	33482-1815	A-BLK	GCP	PLR	M-R	1																PLANNED OBSOLESCENCE	SEE 33482-8815	34950-1611	34950-1621	34951-1631	34951-1641	
KEY A, BLACK	33482-1816	A-BLK	GCP	PLR	M-R																	PLANNED OBSOLESCENCE	SEE 33482-8816	34950-1611	34950-1621	34951-1631	34951-1641	
KEY A, BLACK	33482-1817	A-BLK	GCP	PLR	M-R																	PLANNED OBSOLESCENCE	SEE 33482-8817	34950-1611	34950-1621	34951-1631	34951-1641	
KEY A, BLACK	33482-1818	A-BLK	GCP	PLR	M-R																	PLANNED OBSOLESCENCE	SEE 33482-8818	34950-1611	34950-1621	34951-1631	34951-1641	
KEY A, BLACK	33482-1819	A-BLK	GCP	PLR	M-R	1	2															PLANNED OBSOLESCENCE	SEE 33482-8819	34950-1611	34950-1621	34951-1631	34951-1641	
KEY A, BLACK	33482-1820	A-BLK	GCP	PLR	M-R																	PLANNED OBSOLESCENCE	SEE 33482-8820	34950-1611	34950-1621	34951-1631	34951-1641	
KEY A, BLACK	33482-1821	A-BLK	GCP	PLR	M-R	1	2	3														PLANNED OBSOLESCENCE	SEE 33482-8821	34950-1611	34950-1621	34951-1631	34951-1641	
KEY A, BLACK	33482-1822	A-BLK	GCP	PLR	M-R	1																PLANNED OBSOLESCENCE	SEE 33482-8822	34950-1611	34950-1621	34951-1631	34951-1641	
KEY B, LIGHT GRAY	33482-1823	B-LG	GCP	PLR	M-R																	PLANNED OBSOLESCENCE	SEE 33482-8823	34950-1611	34950-1621	34951-1631	34951-1641	
KEY A, BLACK	33482-1824	A-BLK	GCP	PLR	M-R																	PLANNED OBSOLESCENCE	SEE 33482-8824	34950-1611	34950-1621	34951-1631	34951-1641	
KEY A, BLACK	33482-1825	A-BLK	GCP	PLR	M-R																	PLANNED OBSOLESCENCE	SEE 33482-8825	34950-1611	34950-1621	34951-1631	34951-1641	
KEY A, BLACK	33482-1826	A-BLK	GCP	PLR	M-R	1	2	3	4	5	6											PLANNED OBSOLESCENCE	SEE 33482-8826	34950-1611	34950-1621	34951-1631	34951-1641	
KEY A, BLACK	33482-1827	A-BLK	GCP	PLR	M-R																	PLANNED OBSOLESCENCE	SEE 33482-8827	34950-1611	34950-1621	34951-1631	34951-1641	
KEY A, BLACK	33482-1828	A-BLK	GCP	PLR	M-R																	PLANNED OBSOLESCENCE	SEE 33482-8828	34950-1611	34950-1621	34951-1631	34951-1641	
KEY A, BLACK	33482-1829	A-BLK	GCP	PLR	M-R	1	2															PLANNED OBSOLESCENCE	SEE 33482-8829	34950-1611	34950-1621	34951-1631	34951-1641	
KEY A, BLACK	33482-1830	A-BLK	GCP	PLR	M-R																	PLANNED OBSOLESCENCE	SEE 33482-8830	34950-1611	34950-1621	34951-1631	34951-1641	
KEY A, BLACK	33482-1831	A-BLK	GCP	PLR	M-R																	PLANNED OBSOLESCENCE	SEE 33482-8831	34950-1611	34950-1621	34951-1631	34951-1641	
KEY B, LIGHT GRAY	33482-1832	B-LG	GCP	PLR	M-R																	PLANNED OBSOLESCENCE	SEE 33482-8832	34950-1611	34950-1621	34951-1631	34951-1641	
KEY A, BLACK	33482-1833	A-BLK	GCP	PLR	M-R																	PLANNED OBSOLESCENCE	SEE 33482-8833	34950-1611	34950-1621	34951-1631	34951-1641	
KEY A, BLACK	33482-1834	A-BLK	GCP	PLR	M-R																	PLANNED OBSOLESCENCE	SEE 33482-8834	34950-1611	34950-1621	34951-1631	34951-1641	
KEY A, BLACK	33482-1835	A-BLK	GCP	PLR	M-R	1																PLANNED OBSOLESCENCE	SEE 33482-8835	34950-1611	34950-1621	34951-1631	34951-1641	
KEY A, BLACK	33482-1836	A-BLK	GCP	PLR	M-R	1	2	3	4	5	6	7	8	9														

MX150 2X8 BLADE SEALED ASSY MAT SEAL  
BOM AND PIN OUT SHEET

Table with columns: ASSEMBLY DESCRIPTION, ASSEMBLY PART NUMBER, COMPONENT (HOUSING KEY/COLOR, GROMMET CAP, PLR, MAT SEAL), BLOCKED TERMINALS (1-16), STATUS, COMMENTS, and OPTIONAL ATTACHMENTS SOLD SEPARATELY (BACKSHELL WITH RIBS, BACKSHELL WITHOUT RIBS, 90° ADAPTOR WITH RIBS, 90° ADAPTOR WITHOUT RIBS).

MX150 2X8 BLADE SEALED ASSY MAT SEAL  
BOM AND PIN OUT SHEET

Table with columns: ASSEMBLY DESCRIPTION, ASSEMBLY PART NUMBER, COMPONENT (HOUSING KEY/COLOR, GROMMET CAP, PLR, MAT SEAL), BLOCKED TERMINALS (1-16), STATUS, COMMENTS, and OPTIONAL ATTACHMENTS SOLD SEPARATELY (BACKSHELL WITH RIBS, BACKSHELL WITHOUT RIBS, 90° ADAPTOR WITH RIBS, 90° ADAPTOR WITHOUT RIBS).



MX150 2X8 BLADE SEALED ASSY MAT SEAL  
BOM AND PIN OUT SHEET

ASSEMBLY DESCRIPTION	ASSEMBLY PART NUMBER	COMPONENT				BLOCKED TERMINALS																STATUS	COMMENTS	OPTIONAL ATTACHMENTS SOLD SEPERATELY						
		THE PRESENCE OF AN ABBREVIATION INDICATES THE PRESENCE OF THAT COMPONENT.				CAVITY WITH A NUMBER INDICATES BLOCKED TERMINAL POSITION CAVITY WITHOUT A NUMBER INDICATES OPEN TERMINAL POSITION																		BACKSHELL WITH RIBS	BACKSHELL WITHOUT RIBS	90° ADAPTOR WITH RIBS	90° ADAPTOR WITHOUT RIBS			
		HOUSING KEY/COLOR	GROMMET CAP	PLR	MAT SEAL	1	2	3	4	5	6	7	8	9	10	11	12	13	14	15	16									
KEY A, BLACK W/O PLR	34955-1601	A-BLK	GCP		M-R																			PLANNED OBSOLESCENCE	SEE 34955-8601					
KEY A, BLACK W/O PLR	34955-8601	A-BLK	GCP		M-B																			SALEABLE						









MX150 2X10 BLADE SEALED ASSY MAT SEAL  
BOM AND PIN OUT SHEET

ASSEMBLY DESCRIPTION	ASSEMBLY PART NUMBER	COMPONENT				BLOCKED TERMINALS																				STATUS	COMMENTS	OPTIONAL ATTACHMENTS SOLD SEPERATELY					
		THE PRESENCE OF AN ABBREVIATION INDICATES THE PRESENCE OF THAT COMPONENT.				CAVITY WITH A NUMBER INDICATES BLOCKED TERMINAL POSITION CAVITY WITHOUT A NUMBER INDICATES OPEN TERMINAL POSITION																						BACKSHELL WITH RIBS	BACKSHELL WITHOUT RIBS	90° ADAPTOR WITH RIBS	90° ADAPTOR WITHOUT RIBS		
		HOUSING KEY/COLOR	GROMMET CAP	PLR	MAT SEAL	1	2	3	4	5	6	7	8	9	10	11	12	13	14	15	16	17	18	19	20								
KEY A, BLACK	33482-2321	A-BLK	GCP	PLR	M-B	1	2	3	4	5	6	7	8	9					13	14	15	16			19	20	SALEABLE		34950-2011	34950-2021	34951-1631	34951-1641	
KEY A, BLACK	33482-2322	A-BLK	GCP	PLR	M-B	1	2	3	4	5																	20	SALEABLE		34950-2011	34950-2021	34951-1631	34951-1641
KEY A, BLACK	33482-2323	A-BLK	GCP	PLR	M-B	1	2	3																			20	SALEABLE		34950-2011	34950-2021	34951-1631	34951-1641
KEY A, BLACK	33482-2324	A-BLK	GCP	PLR	M-B	1	2	3	4	5	6	7	8														20	SALEABLE		34950-2011	34950-2021	34951-1631	34951-1641
KEY B, LIGHT GRAY	33482-2325	B-LG	GCP	PLR	M-B																					20	SALEABLE		34950-2011	34950-2021	34951-1631	34951-1641	
KEY A, BLACK	33482-2326	A-BLK	GCP	PLR	M-B	1	2				6	7	8	9	10	11	12	13								20	SALEABLE		34950-2011	34950-2021	34951-1631	34951-1641	
KEY A, BLACK	33482-2327	A-BLK	GCP	PLR	M-B	1			4	5	6	7	8	9	10	11	12	13								20	SALEABLE		34950-2011	34950-2021	34951-1631	34951-1641	
KEY A, BLACK	33482-2328	A-BLK	GCP	PLR	M-B							7	8	9	10	11		13									20	SALEABLE		34950-2011	34950-2021	34951-1631	34951-1641
KEY B, LIGHT GRAY	33482-2329	B-LG	GCP	PLR	M-B																					20	SALEABLE		34950-2011	34950-2021	34951-1631	34951-1641	
KEY A, BLACK	33482-2330	A-BLK	GCP	PLR	M-B		2				5	6			9	10											20	SALEABLE		34950-2011	34950-2021	34951-1631	34951-1641
KEY A, BLACK	33482-2331	A-BLK	GCP	PLR	M-B		2				6	6			9	10											20	SALEABLE		34950-2011	34950-2021	34951-1631	34951-1641
KEY A, BLACK	33482-2332	A-BLK	GCP	PLR	M-B						6	6			9	10											20	SALEABLE		34950-2011	34950-2021	34951-1631	34951-1641
KEY B, LIGHT GRAY	33482-2333	B-LG	GCP	PLR	M-B											10	11									20	OBSOLETE		34950-2011	34950-2021	34951-1631	34951-1641	
KEY A, BLACK	33482-2334	A-BLK	GCP	PLR	M-B			3	4		6	7			9	10										20	SALEABLE		34950-2011	34950-2021	34951-1631	34951-1641	
KEY A, BLACK	33482-2335	A-BLK	GCP	PLR	M-B			3	4			7				10										20	SALEABLE		34950-2011	34950-2021	34951-1631	34951-1641	
KEY B, LIGHT GRAY	33482-2336	B-LG	GCP	PLR	M-B																					20	SALEABLE		34950-2011	34950-2021	34951-1631	34951-1641	
KEY B, LIGHT GRAY	33482-2337	B-LG	GCP	PLR	M-B																					20	SALEABLE		34950-2011	34950-2021	34951-1631	34951-1641	
KEY B, LIGHT GRAY	33482-2338	B-LG	GCP	PLR	M-B		2		4																	20	SALEABLE		34950-2011	34950-2021	34951-1631	34951-1641	
KEY B, LIGHT GRAY	33482-2339	B-LG	GCP	PLR	M-B						5	6														20	SALEABLE		34950-2011	34950-2021	34951-1631	34951-1641	
KEY A, BLACK	33482-2340	A-BLK	GCP	PLR	M-B		2	3			5	6														20	SALEABLE		34950-2011	34950-2021	34951-1631	34951-1641	

SUB ASSEMBLY DESCRIPTION	SUB ASSEMBLY PART NUMBER	COMPONENT				BLOCKED TERMINALS																				STATUS	COMMENTS	OPTIONAL ATTACHMENTS SOLD SEPERATELY				
		THE PRESENCE OF AN ABBREVIATION INDICATES THE PRESENCE OF THAT COMPONENT.				CAVITY WITH A NUMBER INDICATES BLOCKED TERMINAL POSITION CAVITY WITHOUT A NUMBER INDICATES OPEN TERMINAL POSITION																						BACKSHELL WITH RIBS	BACKSHELL WITHOUT RIBS	90° ADAPTOR WITH RIBS	90° ADAPTOR WITHOUT RIBS	
		HOUSING KEY/COLOR	GROMMET CAP	PLR	MAT SEAL	1	2	3	4	5	6	7	8	9	10	11	12	13	14	15	16	17	18	19	20							
KEY A, BLACK W/O PLR	34955-2001	A-BLK	GCO		M-R																						OBSOLETE	SEE 34955-2101				
KEY A, BLACK W/O PLR	34955-2101	A-BLK	GCO		M-B																						SALEABLE					